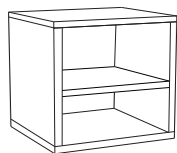


CONNECT SHELF CUBE



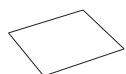
Included



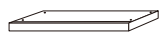
12 Alignment Pins
4 connectors pins



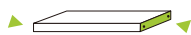
2 Vertical zBoards
adhesive strips on 2 edges



1 Backer Board
thin and has no adhesive



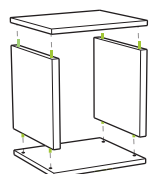
2 Horizontal zBoards
with grooves



1 Middle zBoard
adhesive strips on 2 edges

WARNING: CHOKING HAZARD
Small parts NOT for children under 3 years

Important



THIS SIDE UP

DO NOT place unit on its side or back as it will compromise its structural integrity.



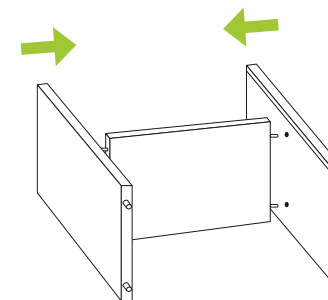
- Assemble your unit on a flat even surface, carpet not recommended
- Furniture is for indoor use only
- When moving your Way Basics furniture, lift from the bottom
- Make sure zBoard surfaces are clean and dry



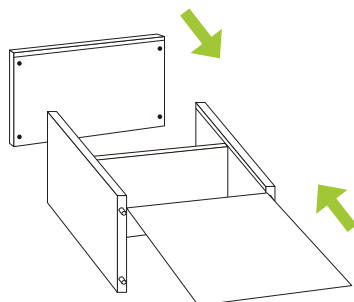
1 Carefully remove the 3M protective layer from adhesive.



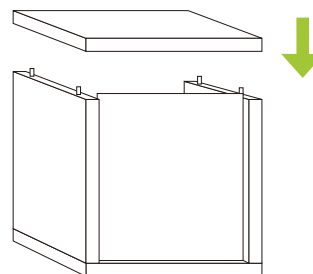
2 Place alignment pins in middle zBoard and vertical zBoards.



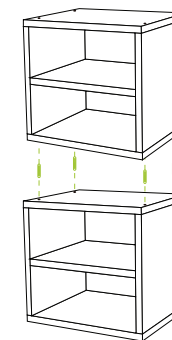
3 Align vertical zBoards to middle zBoard.



4 Align a horizontal zBoard and slide in backer board.



5 Align horizontal zBoard and press firmly to secure unit together.



6 Join other connect cubes with connector pins! Visit links below for more details. Enjoy building possibilities!

Note Use included decals to cover the connector holes if not stacking cubes.

