

# COASTER<sup>®</sup>

FINE FURNITURE

202701Q ( B1 - B3 )

QUEEN SIZE STORAGE BED

## ASSEMBLY INSTRUCTIONS

COASTER FINE FURNITURE



[www.coastercompany.com](http://www.coastercompany.com)

**ASSEMBLY TIPS:**

1. Remove hardware from box and sort by size.
2. Please check to see that all hardware and parts are present prior to start of assembly.
3. Please follow attached instruction in the same sequence as numbered to assure fast & easy assembly.

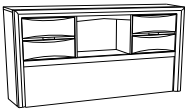
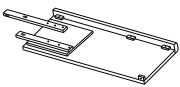
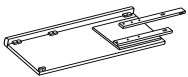
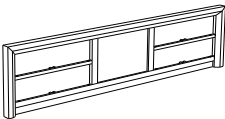
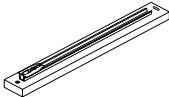
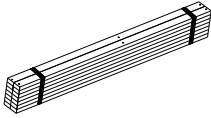
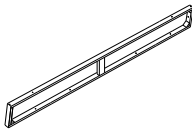

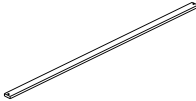
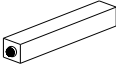


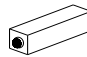

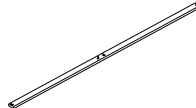
**Warning!**

1. Don't attempt to repair or modify parts that are broken or defective. Please contact the store immediately.
2. This product is for home use only and not intended for commercial establishment.

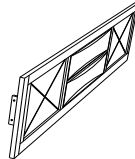
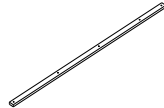
**PARTS IDENTIFICATION**

**B1 (BOX 1)**

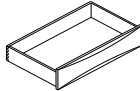
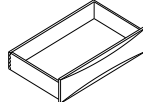

<b>A</b>		HEADBOARD	1PC
<b>B</b>		RIGHT HEADBOARD LEG	1PC
<b>C</b>		LEFT HEADBOARD LEG	1PC
<b>D</b>		FOOTBOARD	1PC
<b>E</b>		DRAWER GLIDE WITH RAIL	4PCS
<b>F</b>		ROLL SLAT (14 PCS SLAT )	1SET
<b>G</b>		DRAWER FRAME	1PC
<b>H</b>		CONCEAL PANEL	2PCS
<b>I</b>		TRESTLE BAR	2PCS
<b>J</b>		BED SLAT SUPPORT WITH LEVELER	3PCS

<b>K</b>		DRAWER FRAME SUPPORT WITH LEVELER	1PC
<b>L</b>		TRIANGLE SUPPORT PANEL	2PCS
<b>M</b>		BOTTOM CROSS RAIL	3PCS

**B2 (BOX 2)**

<b>N</b>		BED RAIL	2PCS
<b>O</b>		CENTER RAIL	1PC

**B3 (BOX 3)**

<b>P</b>		TOP DRAWER	2 PCS
<b>Q</b>		BOTTOM DRAWER	2 PCS
<b>HB</b>		202701Q (B1) *FROM BOX 1 HEADBOARD COMPLETE	1PC

**ASSEMBLY TIPS:**

1. Remove hardware from box and sort by size.
2. Please check to see that all hardware and parts are present prior to start of assembly.
3. Please follow attached instruction in the same sequence as numbered to assure fast & easy assembly.







**Warning!**

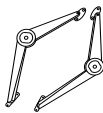

1. Don't attempt to repair or modify parts that are broken or defective. Please contact the store immediately.
2. This product is for home use only and not intended for commercial establishment.

**HARDWARE IDENTIFICATION**

**Z - B1 (BOX 1)**

1		FLAT HEAD SCREW	40PCS
2		PAN HEAD SCREW	24PCS
3		SHORT BOLT	19PCS
4		LONG BOLT	5PCS
5		FLAT WASHER	21PCS
6		LOCK WASHER	21PCS
7		ALLEN WRENCH	1PC

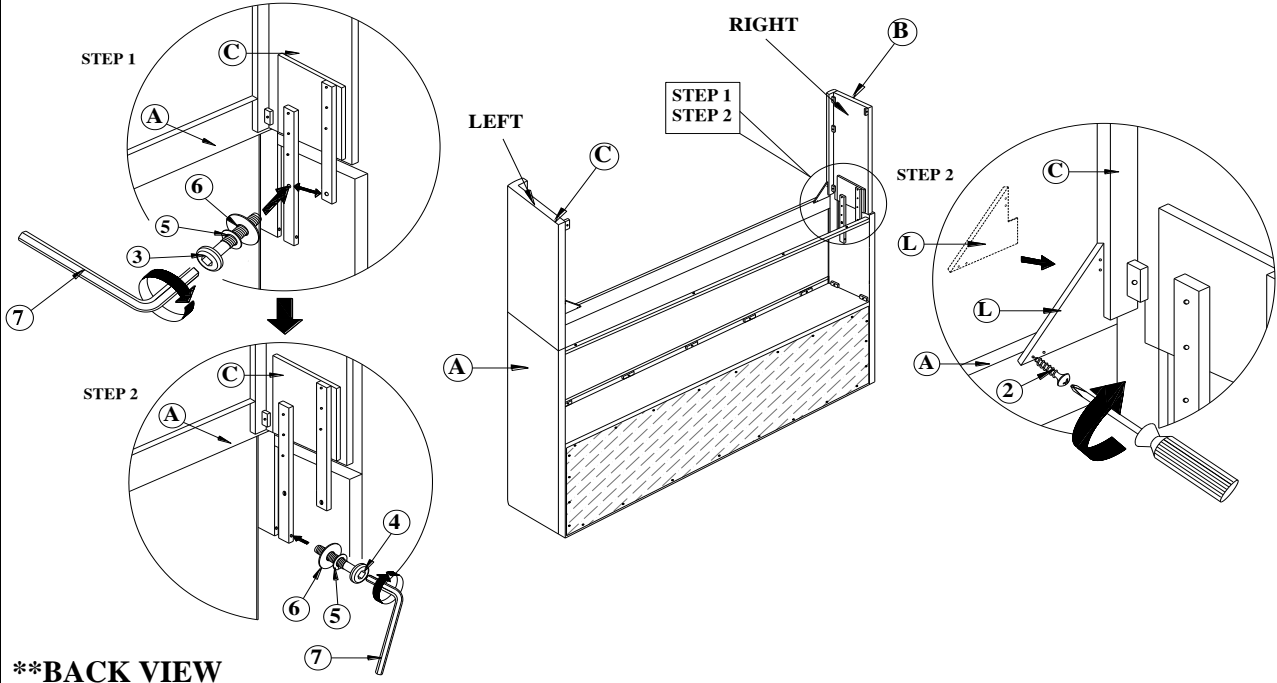
**Z - B2 (BOX 2)**

8		HINGE	2SETS
9		PAN HEAD SCREW	16PCS

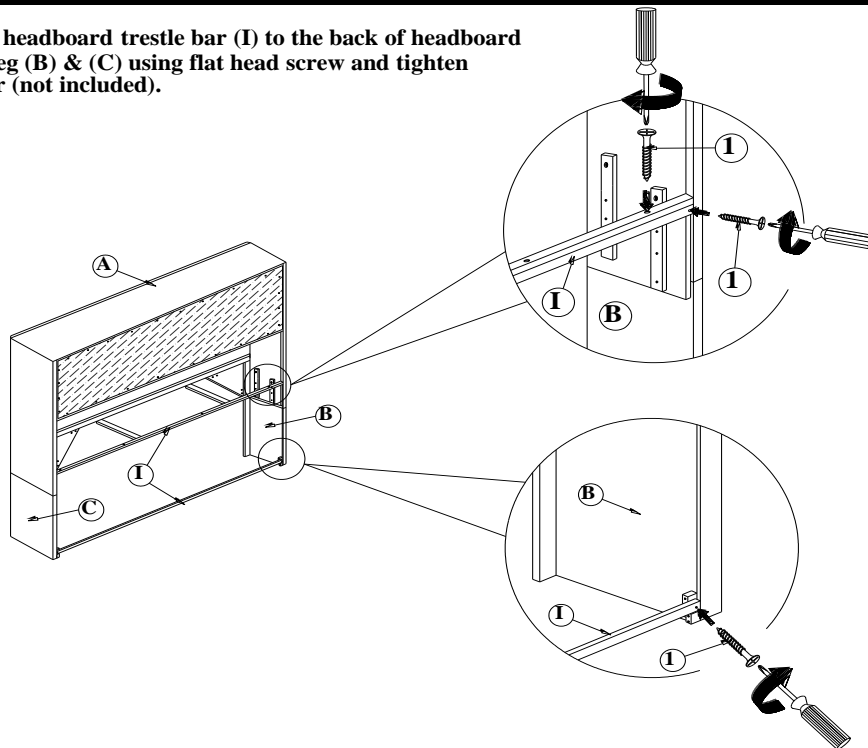
**202701Q (B1) - BOX 1**

**STEP 1 :** Place headboard upside down on soft surface. Align and fasten headboard leg (B) & (C) to headboard (A) using flat washer (6), lock washer (5), short bolt (3) and long bolt (4) and tighten with Allen wrench (7).

**STEP 2 :** Align and fasten triangle support panel (L) to headboard (A) and headboard leg (B) & (C) using pan head screw (2) and tighten with screw driver (not included).

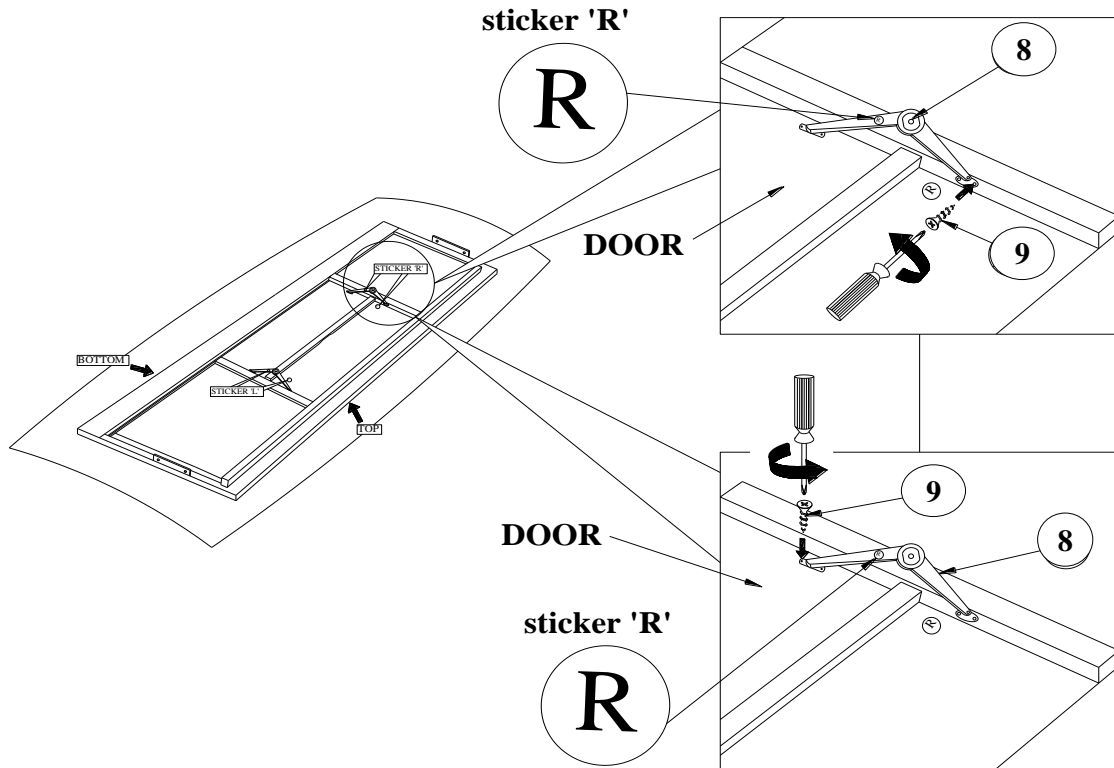


**STEP 3 :** Align and fasten headboard trestle bar (I) to the back of headboard and headboard leg (B) & (C) using flat head screw and tighten with screw driver (not included).



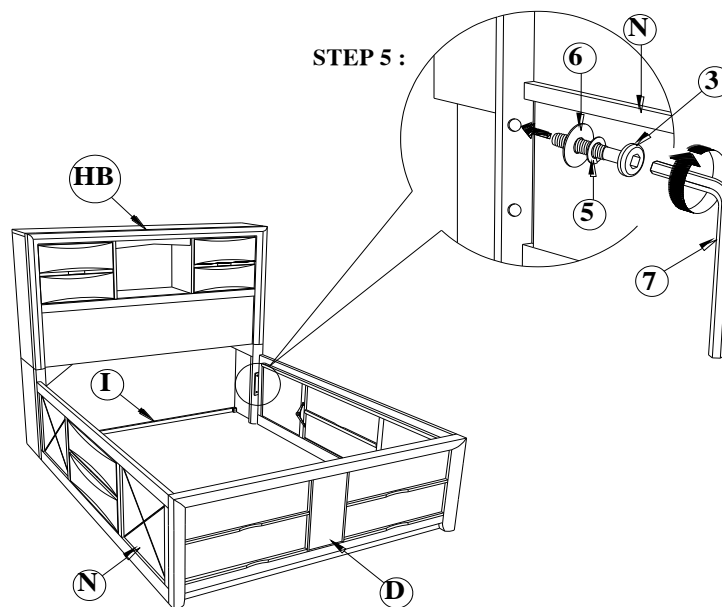
**202701Q ( B2 ) - BOX 2**

**STEP 4 :** Place the bed rail (N) upside down on soft surface. Arrange the hinge (8) according to the alphabet on the hinge and the door then align the screw holes on the hinge with the pre-drilled holes on the door and bed rail (N) and fasten using short flat head screw (9) and tighten with screw driver (not included).

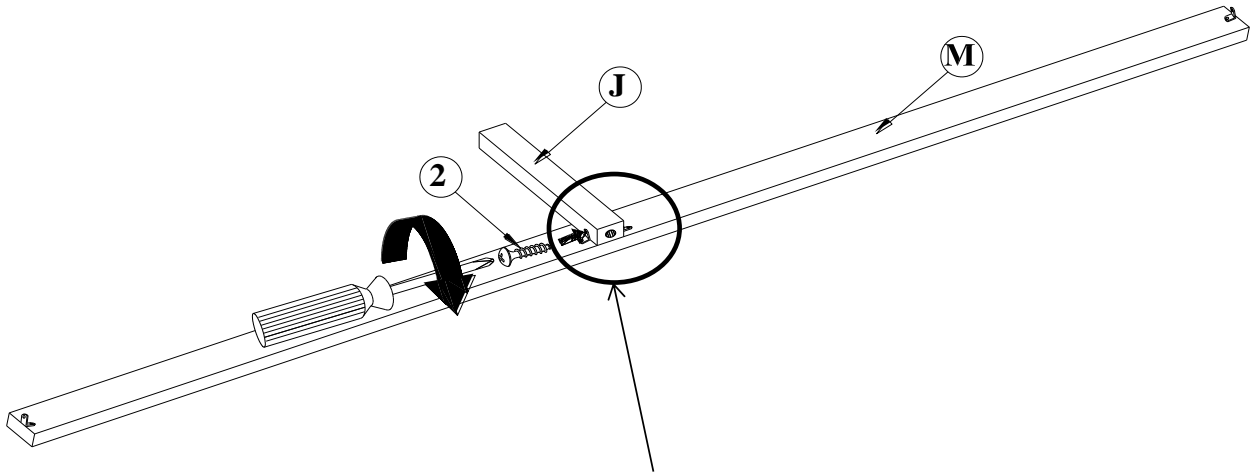


**202701Q ( B1 & B2 ) - BOX 1 & BOX 2**

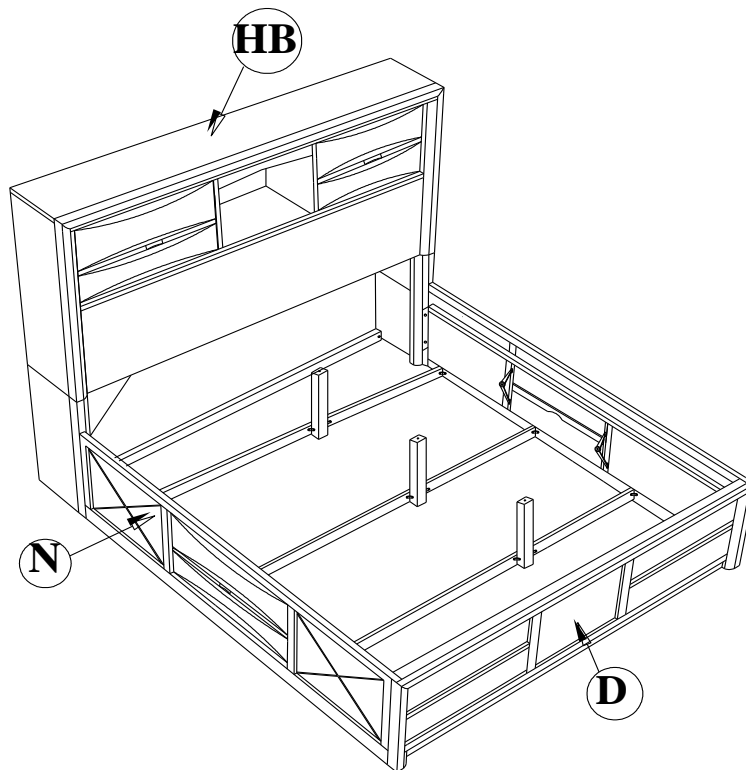
**STEP 5 :** Align and fasten bed rail (N) to headboard (HB) and footboard (D) using flat washer (6), lock washer (5) and short bolt (3) and tighten with Allen wrench (7).



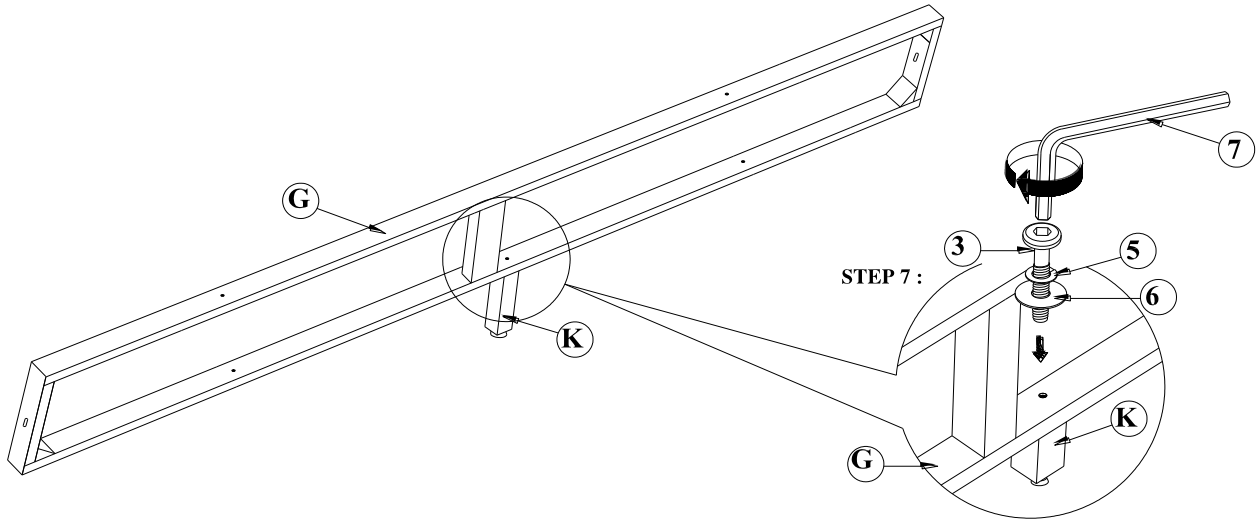
**STEP 6 :** Align and fasten bottom cross rail (M) to bed slat support (J) using pan head screw (2) and tighten with screw driver (not included) then place it into the bed.



REMARK : MAKE SURE THE BOTTOM SURFACE OF THE BED SLAT SUPPORT (J) IS ALIGNED WITH THE EDGE OF THE BOTTOM CROSS RAIL (M).

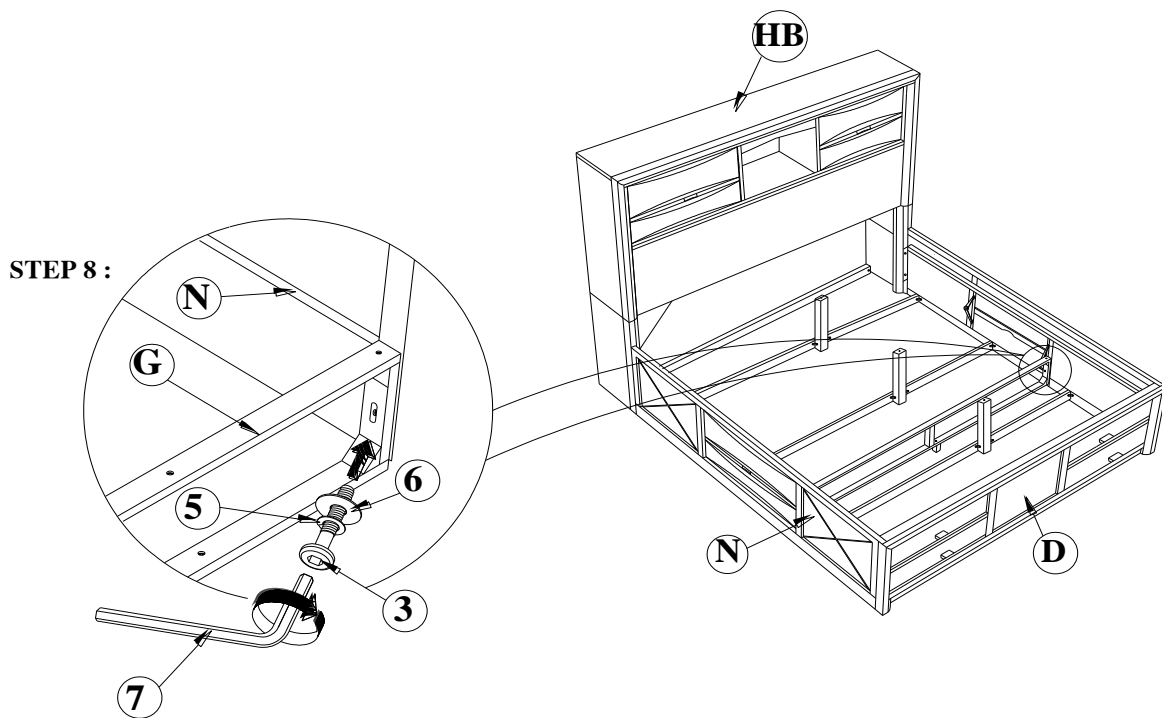


**STEP 7 :** Align and fasten drawer frame support (K) to drawer frame (G) using flat washer (6),lock washer (5) and short bolt (3) and tighten with Allen wrench (7).



**STEP 8 :** Align and fasten drawer frame (G) to bed rail (N) using flat washer (6), lock washer (5) and short bolt (3) and tighten with Allen wrench (7).

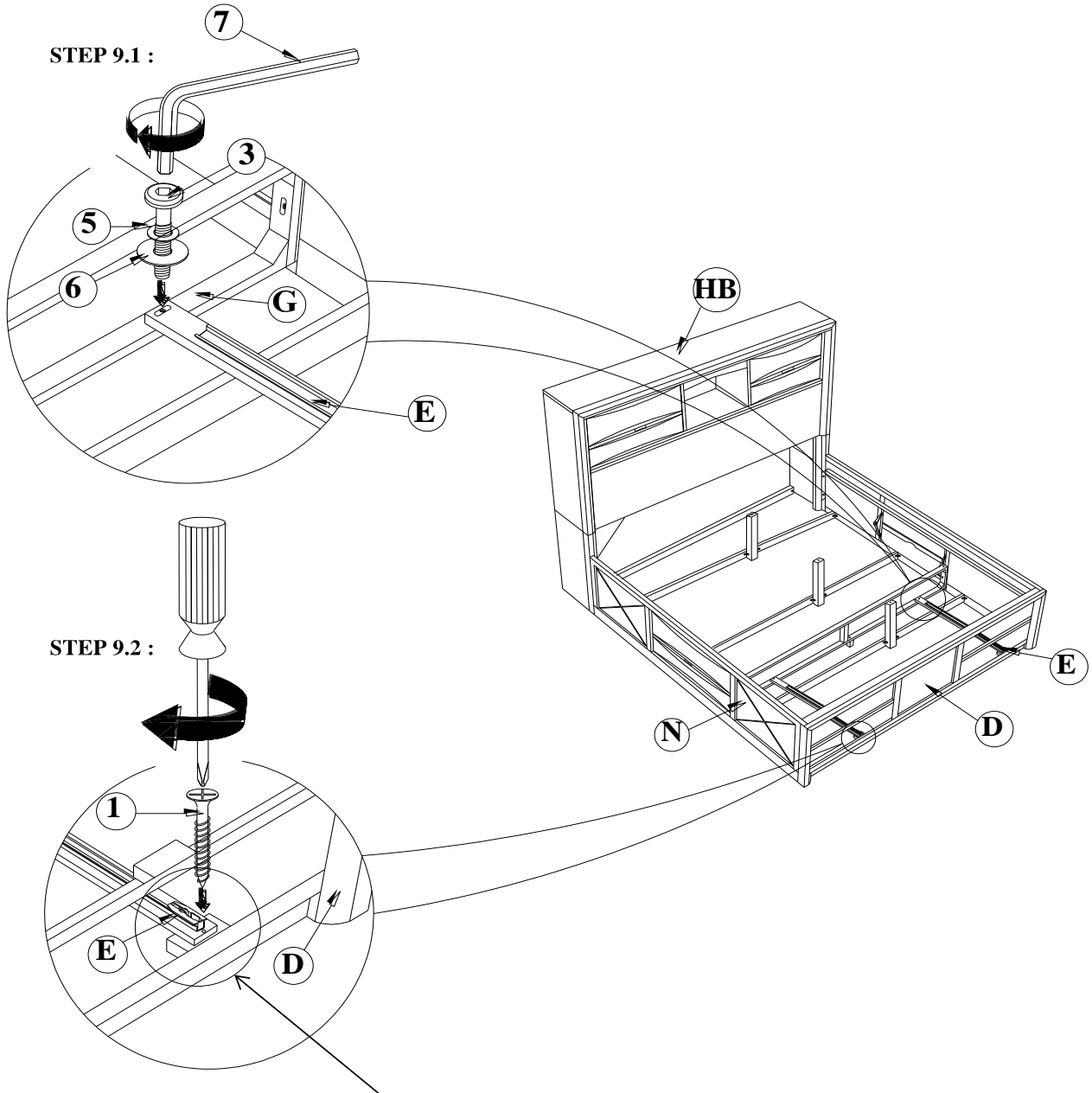
REMARK : DO NOT FULLY TIGHTEN THE BOLT AT THIS STEP.



**STEP 9 : 9.1 : Align and fasten drawer glide with rail (E) to bottom rail of footboard (D) using flat head screw (1) and tighten with screw driver (not included).**

**9.2 : Fasten drawer glide (E) to bottom rail of drawer frame (G) using flat washer (6),lock washer (5) and short bolt (3) and tighten with Allen wrench (7).**

**REMARK : DO NOT FULLY TIGHTEN THE BOLT AT THIS STEP**

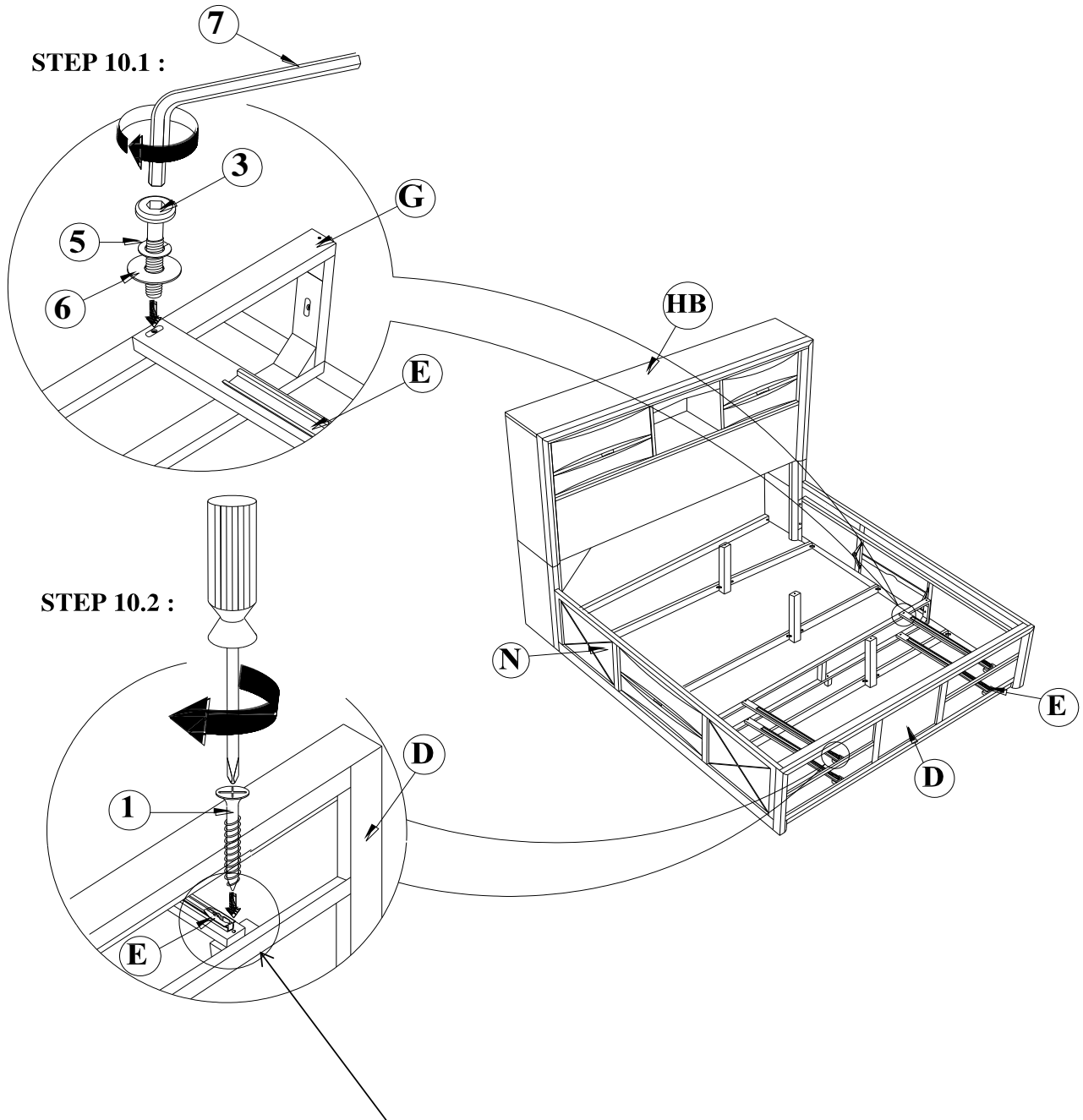


**REMARKS : MAKE SURE THE DRAWER GLIDE WITH RAIL (E) IS CENTER AGAINST THE CUT OUT ON THE WOOD CLEAT AND ALSO TOUCHING IT BEFORE FASTEN USING SCREW (1).**



**STEP 10 : Repeat Step 9 for fastening the drawer glide with rail (E) to center rail of footboard (D) and top rail of drawer frame (G).**

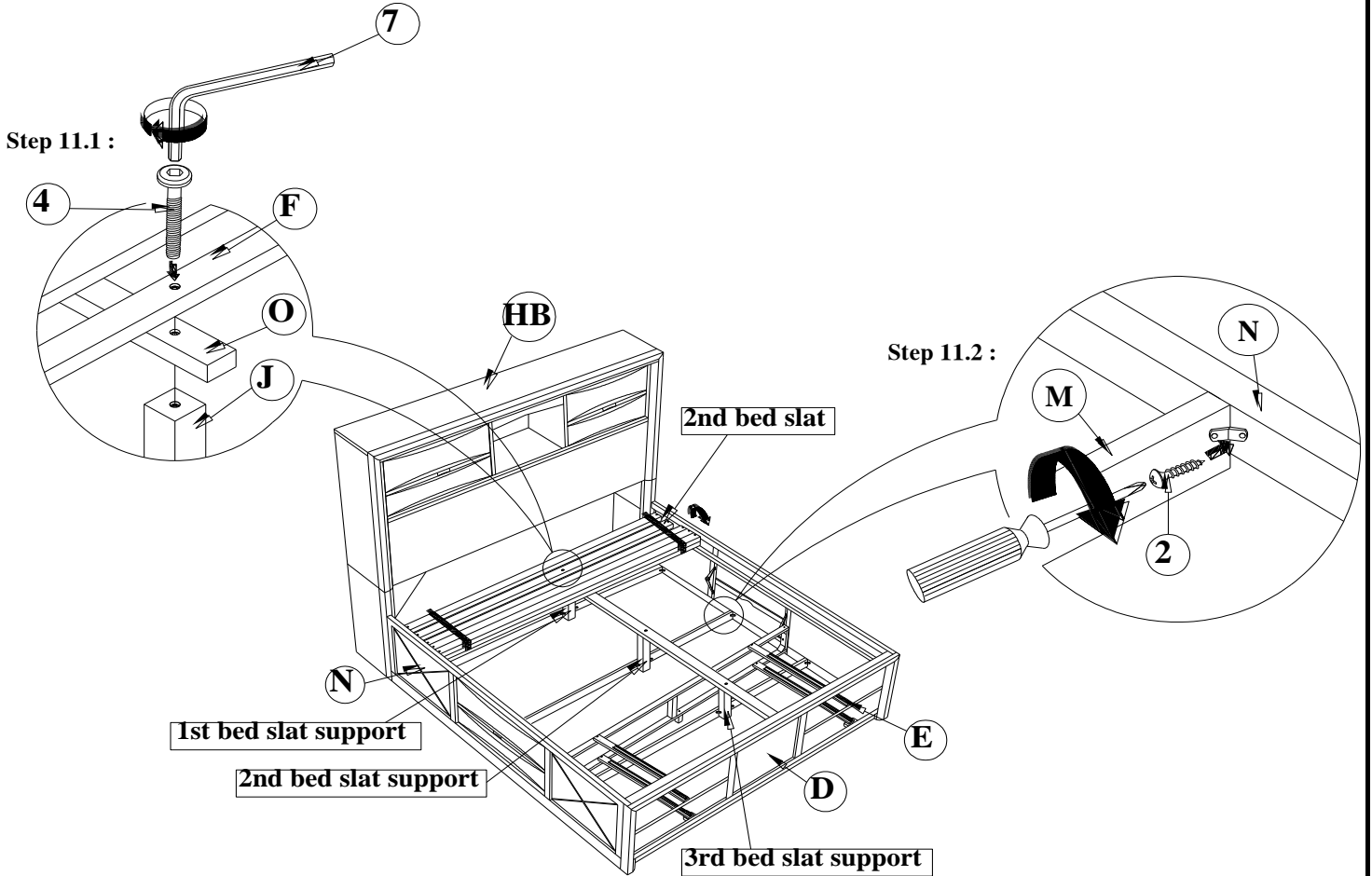
**REMARK : DO NOT FULLY TIGHTEN THE BOLT AT THIS STEP.**



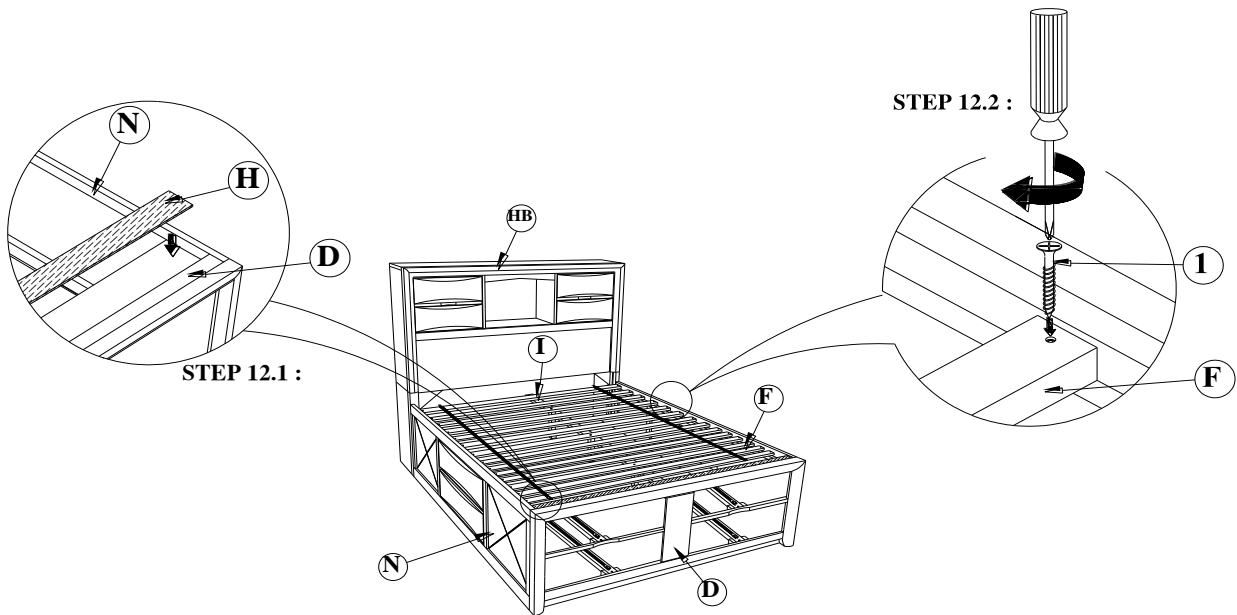
**REMARKS : MAKE SURE THE DRAWER GLIDE WITH RAIL (E) IS CENTER AGAINST THE CUT OUT ON THE WOOD CLEAT AND ALSO TOUCHING IT BEFORE FASTEN USING SCREW (1).**

**STEP 11 : 11.1 :** Place the roll slat (F) onto the bed rail towards the headboard. Align and fasten the 2nd slat (F) to the center rail (O) and the 1st bed slat support (J) (count from the headboard) using long bolt (4) and tighten with Allen wrench (7)

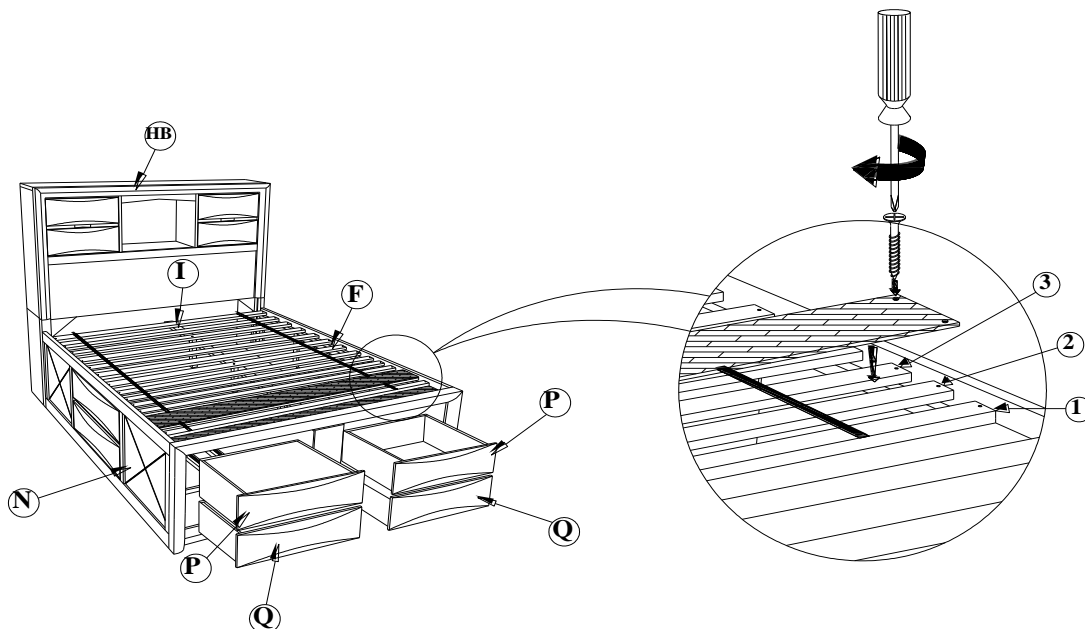
**11.2 :** Then fasten the bottom cross rail (M) to the bed rail (N) using pan head screw (2) and tighten with screw driver (not included). Repeat the same process for 2nd and 3rd bed slat support (J) by sequence.



**STEP 12 : Place the conceal panel (H) underneath the last slat towards footboard. Align and fasten the bed slat to bed rail using flat head screw (1) and tighten with screw driver (not included).**



**STEP 13: Slide and push the top and bottom drawer into place. Place the conceal panel (H) on the top of the slat 2 and 3 as shown below. Then fasten using flat head screw (1) and tighten with screw driver (not included).**

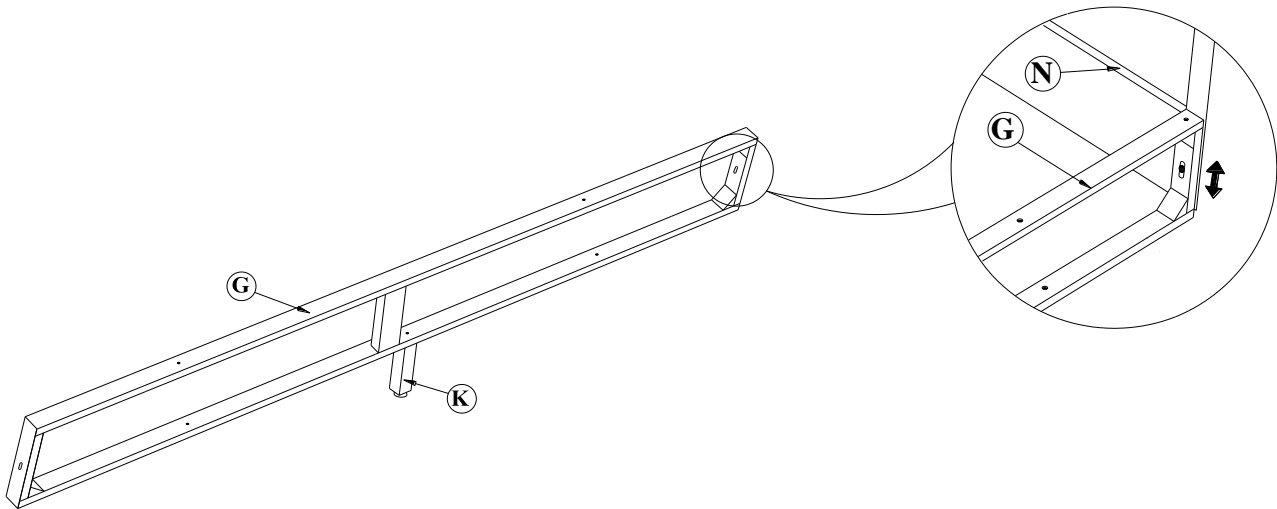


**REMARK : REFER TO THE "TOP" & "BOTTOM" LABEL ON DRAWER PRIOR TO START OF ASSEMBLY.**

**REMARK : If the drawer is not aligned, please do the below adjustment :**

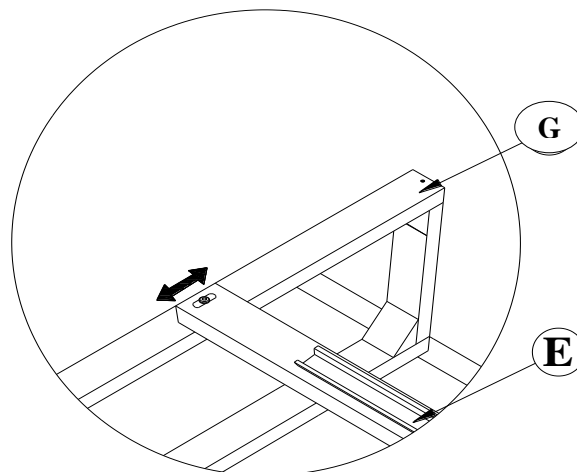
**1) To align the drawer up or down**

**Action : Adjust the drawer frame (G) to up or down.**



**REMARK : 2) To align the drawer left or right.**

**Action : Adjust the drawer glide with rail (E) to left or right.**



**REMARK : After completed the drawer alignment :**

**1) Adjust the leveler of drawer frame support (K) to touch the floor.**

**2) Fully tighten all the bolt from step 8 , 9 & 10.**