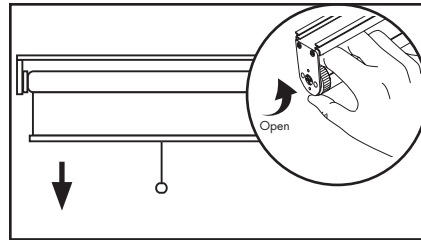


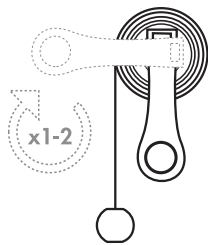
TENSION ADJUSTMENT

If your shade does not wind up completely when operated, greater spring tension can be applied.

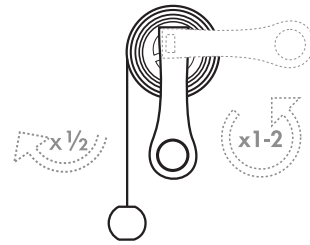
1. Pull shade down 4" from head rail.
Rotate dial at end of shade in an upward motion to the open position until the orange prong is visible and remove shade from head rail.



TO INCREASE TENSION:
Rotate 1-2 turns clockwise with the coiling tool.



TO DECREASE TENSION:
Rotate 1/2 turn clockwise, then 1-2 turns counter clockwise with the coiling tool.



2. Once desired tension is applied, return shade to head rail, turn dial to closed position and release the shade to the full, upright position.

SHADE REMOVAL

To remove your shade from brackets, roll the shade up completely. Press **PUSH** on bracket and rotate top of bracket bar out of bracket and away from wall. Remove shade completely from brackets.

CARE AND CLEANING

Coolaroo® Cordless Retractable Interior Shade fabrics are virtually maintenance free. Only periodic vacuuming and light dusting is required.



Comprehensive Customer Support

1-800-560-4667

United States P.O. Box 162625 • Altamonte Springs, FL 32716-2625 Toll Free: 1.800.560.4667



MADE FOR LIFE

coolaroo.com

CORDLESS RETRACTABLE INTERIOR SHADE

OWNER'S MANUAL

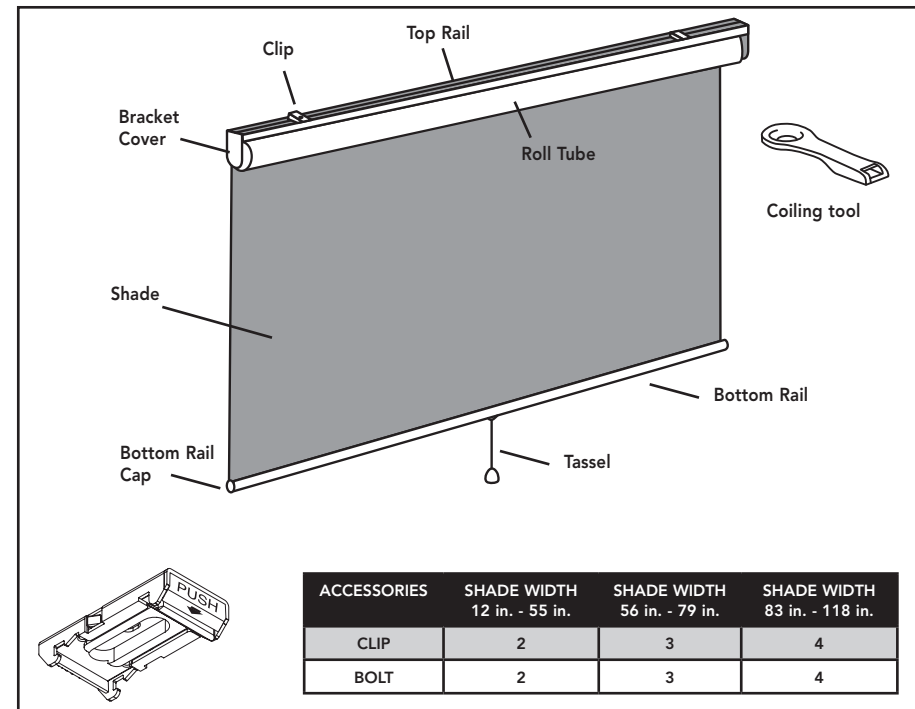
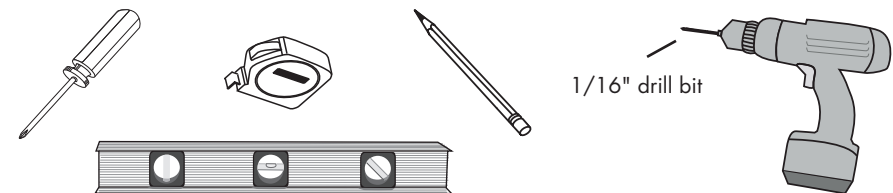


Fig. 1

ADDITIONAL TOOLS NEEDED



Congratulations on the purchase of your Coolaroo® Cordless Retractable Interior Shade. You should be proud to know you have purchased the best retractable shade money can buy. We have gone to great lengths to make this instruction manual as simple and user friendly as possible. Please be sure to read the manual in its entirety before installing your shade. If after reading the manual you still have questions, please give us a call at **1-800-560-4667**. We'll be happy to answer any of your questions. We hope you enjoy your shade!

INSIDE OR CEILING MOUNT

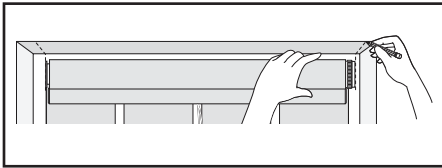


Fig. 2

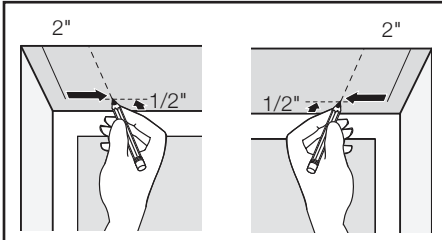


Fig. 3

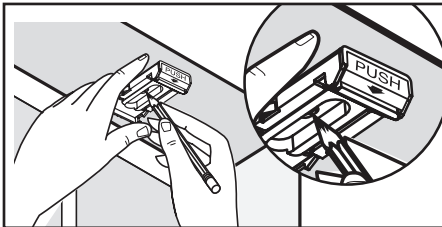


Fig. 4

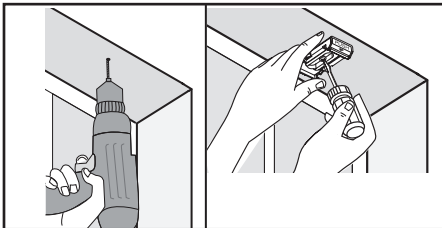


Fig. 5

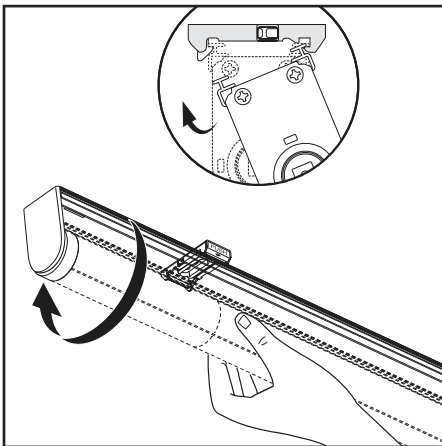


Fig. 6

1. Center Shade

Holding shade centered inside window opening, mark the edges of the shade with a pencil (Fig. 2).

2. Mark Clip Location

Mark 2" [IN] from each edge of your shade markings from Step 1, and at least 1/2" [AWAY] from the window or wall (Fig. 3).

Note: You will need to make a center mark if your shade is over 54" wide.

3. Mark Pilot Hole

Align the clip's edges to the line marked in Step 2. Mark (1) pilot hole with pencil (Fig. 4).

4. Install Clips

Drill the pilot hole with 1/16" bit. Use a Phillip's head screwdriver to secure clips in place (Fig. 5).

5. Mount Shade

Place back (or bottom) groove of shade back bar into bracket lip and rotate shade. The shade will snap into place when secure (Fig. 6).

6. Install Tassel

To install/remove the tassel, pull out the bottom rail cap and slide the tassel into the track. Center the tassel and replace the bottom rail cap.

OUTSIDE OR WALL MOUNT

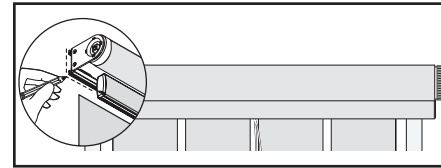


Fig. 7

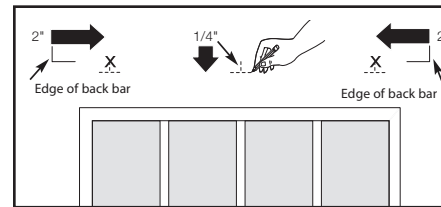


Fig. 8

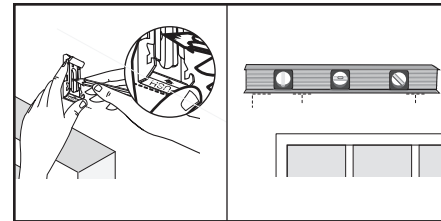


Fig. 9

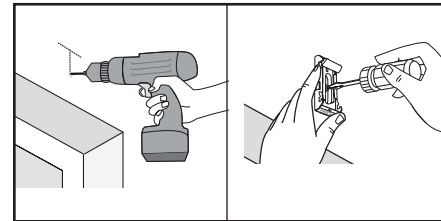


Fig. 10

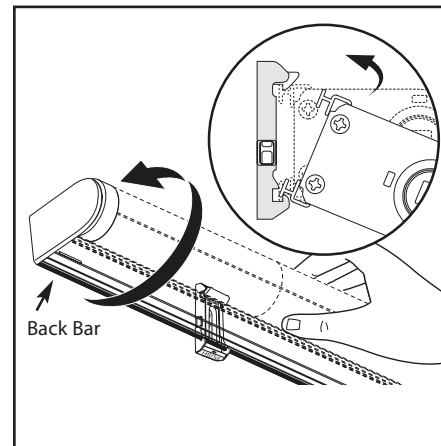


Fig. 11

1. Center Shade

Holding your shade centered above your window opening, mark the bottom and edges of the back bar with a pencil (Fig. 7).

2. Mark Clip Location

Mark 2" [IN] from each edge of your shade markings from Step 1, and 1/4" [DOWN] from the bottom of the back bar markings (Fig. 8).

Note: You will need to make a center mark if your shade is over 54" wide.

3. Mark Pilot Hole

Align the clip's bottom edge to the line marked in Step 2. Mark (1) pilot hole with pencil. Ensure marks are level before drilling (Fig. 9).

4. Install Clips

Drill the pilot hole with 1/16" bit. Use a Phillip's head screwdriver to secure clips in place (Fig. 10).

5. Mount Shade

Place bottom groove of shade back bar into bracket lip and rotate shade. The shade will snap into place when secure (Fig. 11).

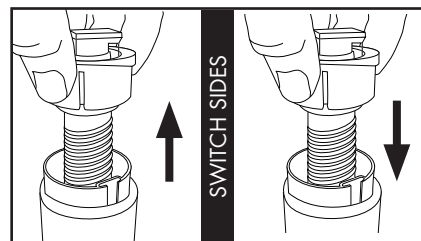
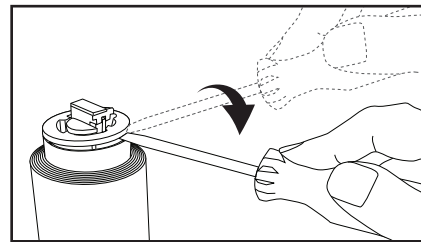
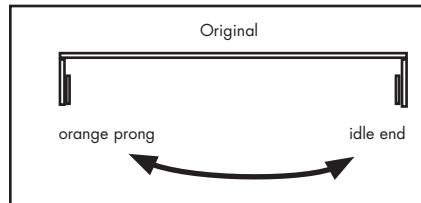
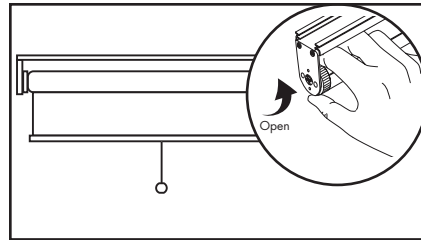
6. Install Tassel

To install/remove the tassel, pull out the bottom rail cap and slide the tassel into the track. Center the tassel and replace the bottom rail cap.

TO REVERSE ROLL

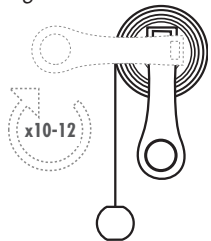
To reverse roll your Cordless Retractable shade, follow these simple instructions.

1. Remove shade from top rail by rotating dial at left end of shade in an upward motion to the open position until the orange prong is visible and remove shade from top rail.
2. Flip top rail so original ends are now on opposite sides from the original.
3. Starting with the plug with the orange prong, use a flat head screwdriver to gently remove the plug from the roll tube. **NOTE: The internal spring coil will unwind. This is normal. DO NOT remove the plastic sleeve covering coil.**
4. Remove plug from other side using flat head screwdriver.
5. Switch plugs and put back into top rail. Line up the grooves in the top rail with the grooves in the plugs.
6. Unroll shade completely. Once the shade is unrolled, continue rolling the shade in order to re-roll the fabric. Fabric should now be rolling with the fabric texture facing towards you.
7. Re-tension the spring using the tension tool provided.



TO INCREASE TENSION:

Rotate 10-12 turns clockwise with the coiling tool.



TO DECREASE TENSION:

Rotate 1/2 turn clockwise, then 1-2 turns counter clockwise with the coiling tool.

