






IMPORTANT, RETAIN FOR FUTURE REFERENCE AND READ CAREFULLY. ASSEMBLY AND OPERATING INSTRUCTIONS FOR 4 DRAWER CHEST

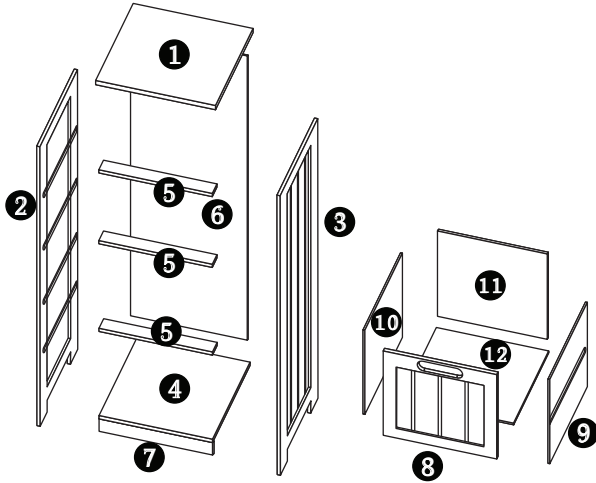
<u>DESCRIPTION</u>		
ITEM NAME: 4 DRAWER CHEST.....	OW CODE: 57208.....	
<u>40 mins</u>		Floor Area 2500mm x 1000mm  Ceiling Heights 2000mm
APPROXIMATE ASSEMBLY TIME	1 PERSON ASSEMBLY	REQUIRED ASSEMBLY SPACE
REQUIRED ASSEMBLY TOOLS		
ASSEMBLED DIMENSIONS		
<div style="display: flex; align-items: center;">  <div style="margin-left: 20px;"> <p>It is recommended to use a PVA glue bought from a reputable DIY store to secure the components b when assembling the product.</p> <div style="border: 1px dotted black; padding: 10px; text-align: center;"> <p style="font-size: 1.5em; font-weight: bold; margin: 0;">MOUNTROSE</p> <p style="font-size: 0.8em; margin: 5px 0;">Thank you for purchasing your new Mountrose product. If in the unlikely event you experience any problems with assembly or require any spare screws/fixings for this product.</p> <p style="font-weight: bold; margin: 5px 0;">DO NOT RETURN THIS ITEM!!!!</p> <p style="font-size: 0.8em; margin: 5px 0;">Please telephone the Mountrose Customer Helpline 0161 406 5040 or email qc@mountrose.co.uk</p> <p style="font-size: 0.8em; margin: 5px 0;">THIS DOES NOT AFFECT YOUR STATUTORY RIGHTS</p> </div> </div> </div>		
<div style="display: flex; justify-content: space-between; align-items: center;">  <div style="font-size: 0.8em;">MOUNTROSE LIMITED, ALAN HOUSE, ASHTON ROAD, BREDBURY, STOCKPORT, SK6 2QN UNITED KINGDOM</div> </div>		

DESCRIPTION

ITEM NAME: 4 DRAWER CHEST




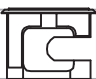
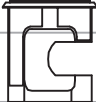


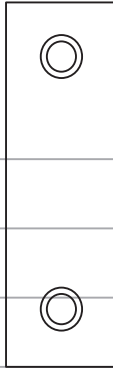

OW CODE: 57208

PARTS LIST



NO.	PART LIST	QTY
(1)	TOP PANEL	1
(2)	LEFT SIDE PANEL	1
(3)	RIGHT SIDE PANEL	1
(4)	BOTTOM PANEL	1
(5)	DRAWERS BASE SUPPORTERS	3
(6)	BACK PANEL	1
(7)	BASE FRONT RAIL	1
(8)	FORNT OF DRAWERS	4
(9)	RIGHT SIDE PANEL OF DRAWERS	4
(10)	LEFT SIDE PANEL OF DRAWERS	4
(11)	BACK PANEL OF DRAWERS	4
(12)	BOTTOM PANEL OF DRAWERS	4

HARDWARE LIST

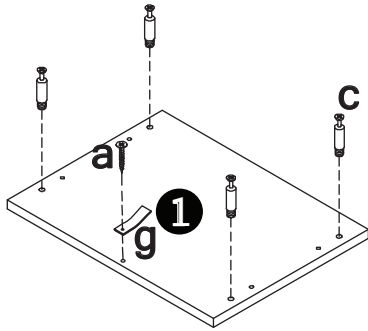
						
4x Ø3 x 10mm	12 x Ø6 x 30mm	16x Ø5.5 x 35mm	10x Ø12 x 10mm	6 x Ø15 x 12 mm	32 x Ø3 x 20mm	4x 6x16mm
a Screws	b Dowels	c Cam bolts	d Cam nuts	e Cam nuts	f Screws	g Plastic stopper for drawers
						
1x 6x16mm	1x Ø3.5x10mm					
k Anti-tip strap	r Screws					

DESCRIPTION

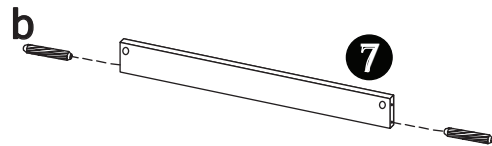
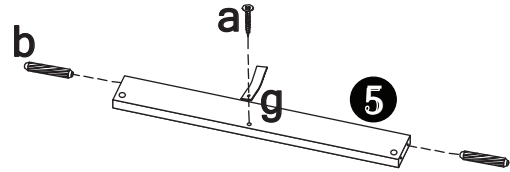
ITEM NAME: 4 DRAWER CHEST

OW CODE: 57208

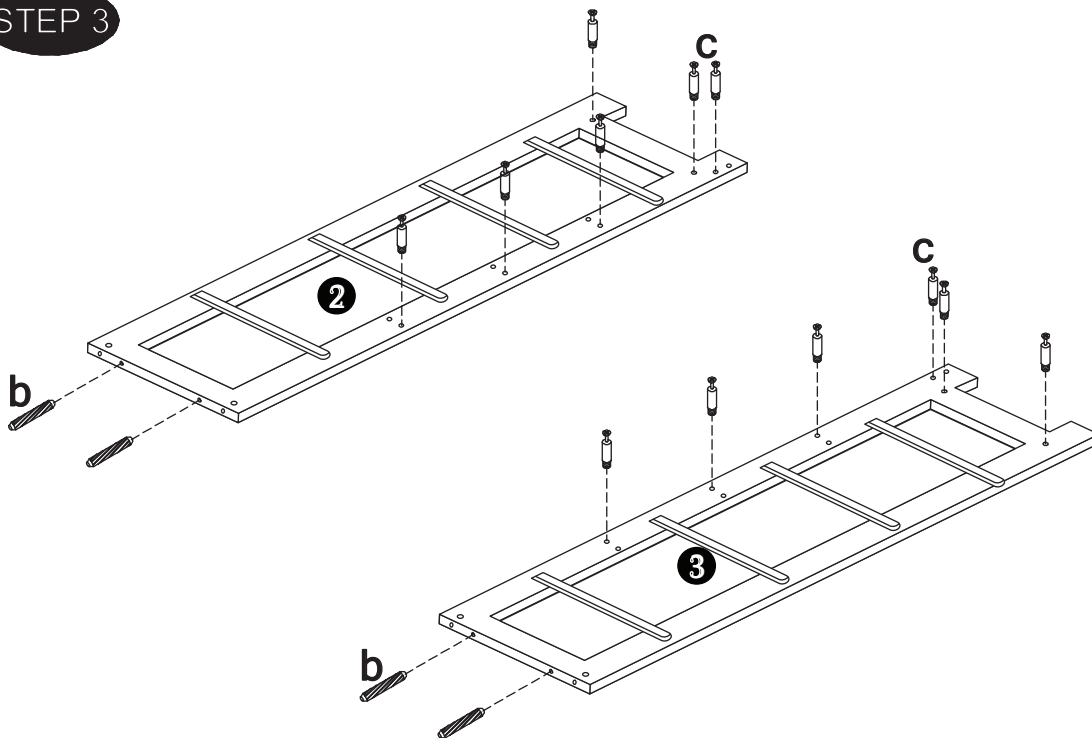
STEP 1



STEP 2



STEP 3

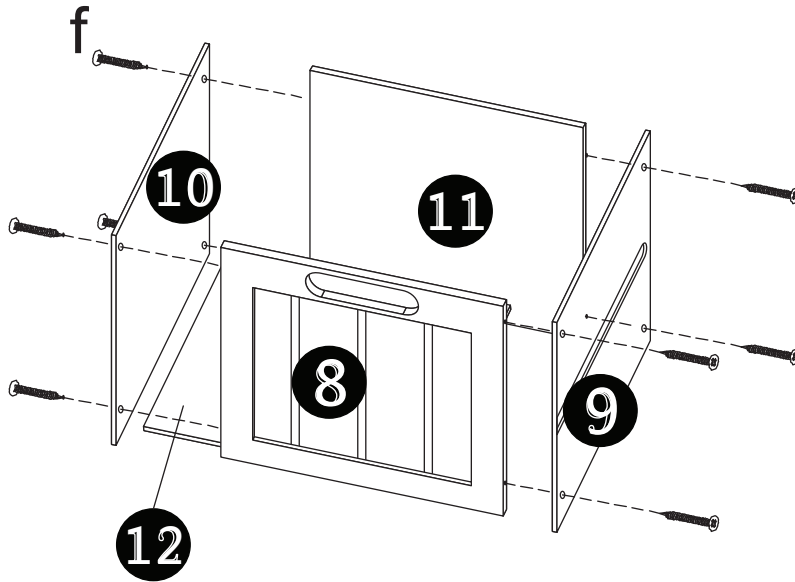


DESCRIPTION

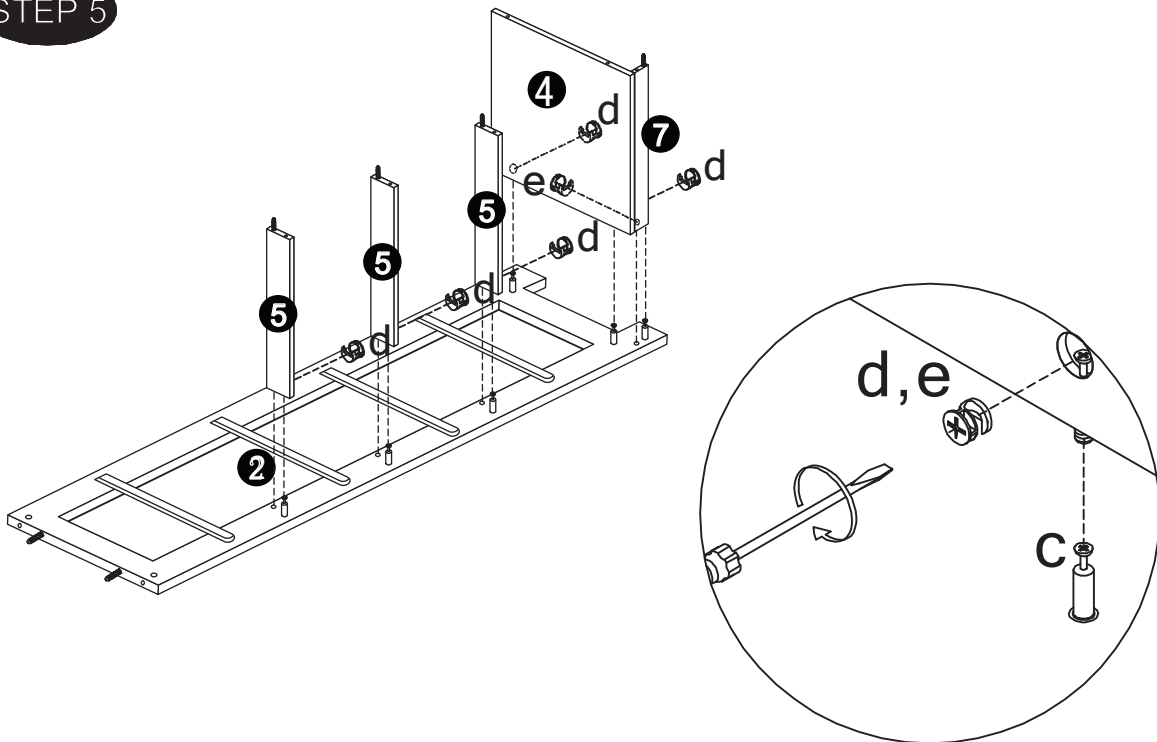
ITEM NAME: 4 DRAWER CHEST

OW CODE: 57208

STEP 4



STEP 5

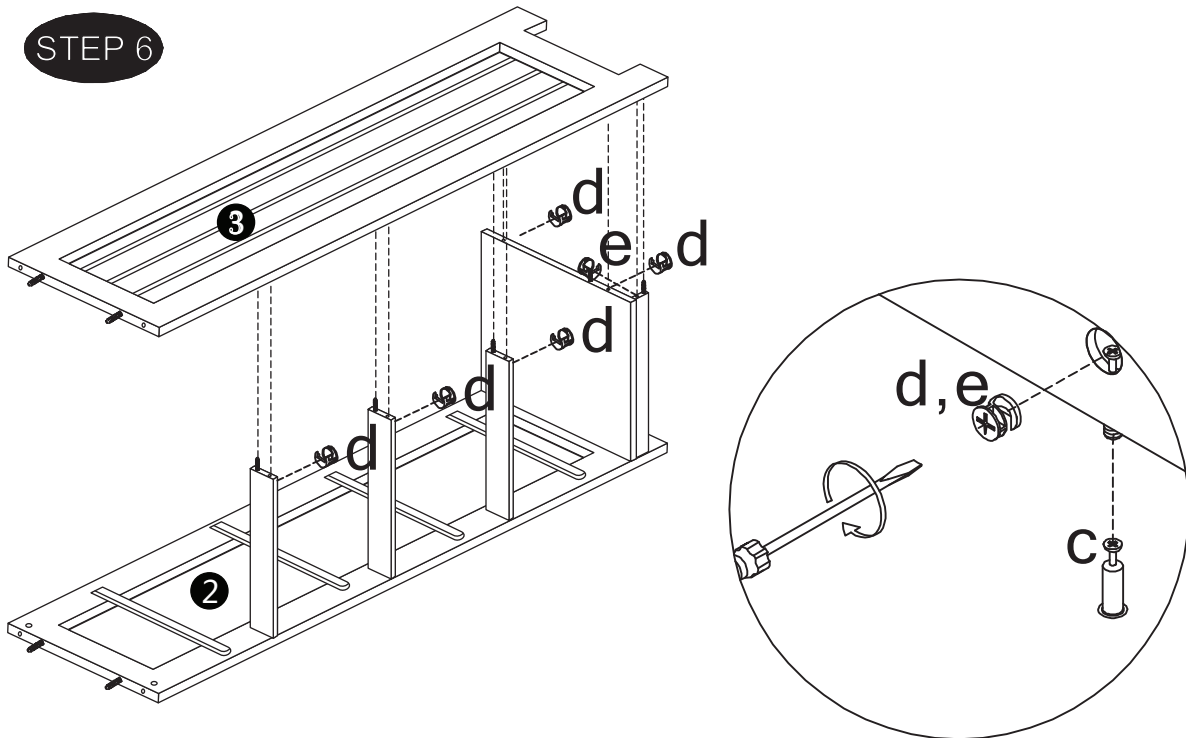


DESCRIPTION

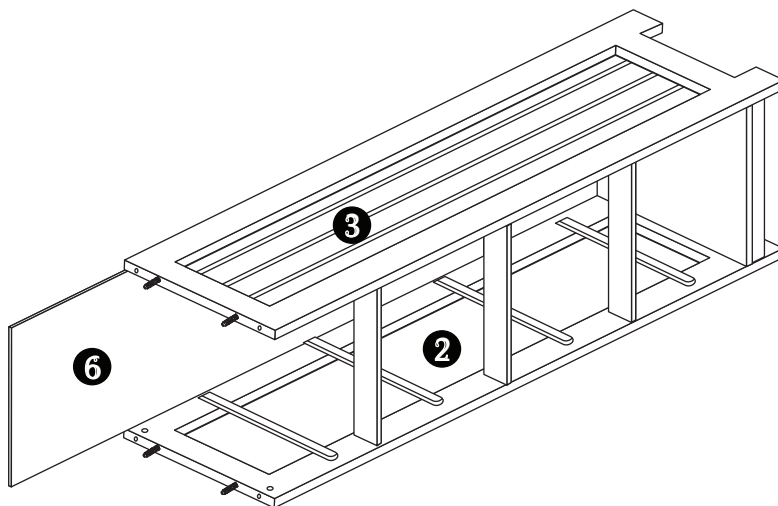
ITEM NAME: 4 DRAWER CHEST

OW CODE: 57208

STEP 6



STEP 7

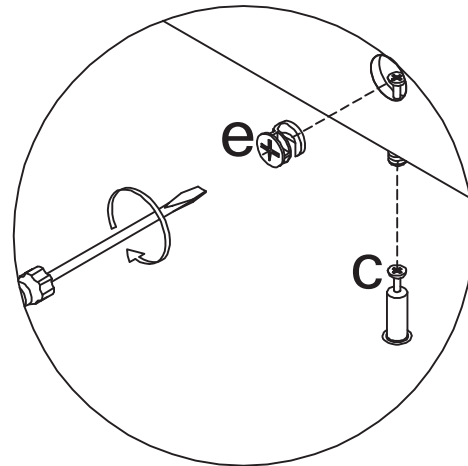
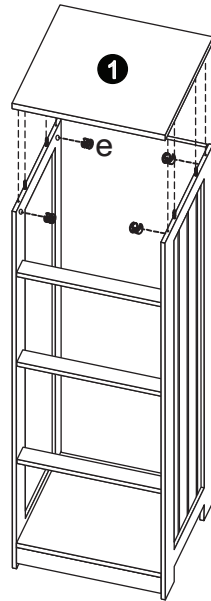


DESCRIPTION

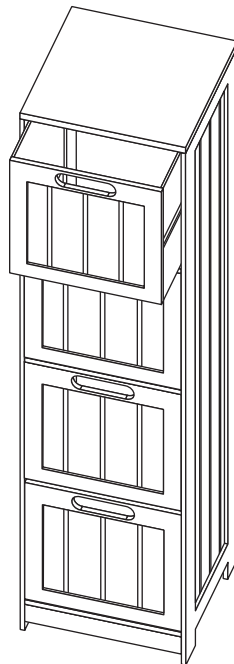
ITEM NAME:..... 4 DRAWER CHEST

OW CODE:..... 57208

STEP 8



STEP 9

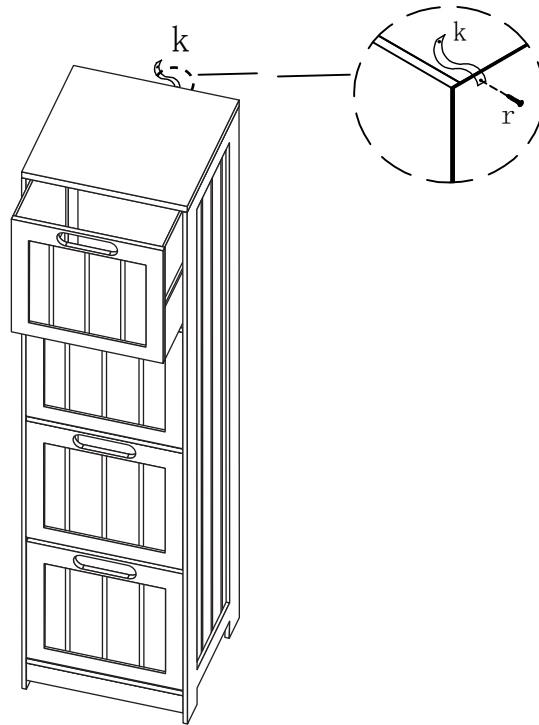


DESCRIPTION

ITEM NAME: 4 DRAWER CHEST

OW CODE: 57208

STEP 10



To avoid the possibility of the unit tipping we recommend that the cabinet that it is secured to the wall using the anti tip strap provided (Part G) these should be secured to the cabinet using screw A, for fixing to the wall please see below for instructions.

Wall fixing instructions

Due to the great variety of wall construction and surface finishes wall fixings are not supplied with this product. Please assess the wall where you wish to fix the unit and purchase the necessary fixings, if in doubt seek expert advice from your local DIY store. Then you should proceed as follows;

1. Ensure the wall is clean & sound
2. Mark the desired position of the accessory with a pencil, use a spirit level if required, to ensure it is level.
3. Use the correct drill bit for the type of wall (ensure you do not drill into electrical cables/water pipes), NB a special drill is required for ceramic tiles.
4. Once the hole has been drilled, insert the correct fixing. If fixing to ceramic tiles ensure the wall plugs, are pushed in beyond the depth of the tiles.

DESCRIPTIONITEM NAME:..... 4 DRAWER CHEST
OW CODE:..... 57208**Top Tips before you start!**

1. Please check that all parts are present before you start the assembly of your furniture, as once assembled, the furniture is exempt from our home approval policy.
2. For ease and speed of assembly, we recommend that before you commence each step of the assembly, that you identify all the parts required for that step.
3. For larger items, please ensure that you have sufficient space and people (as indicated on page 1) to assemble your product safely.
4. We recommend that, where possible, all items are assembled near to the area in which they will be placed in use, to avoid moving the product unnecessarily once assembled.
5. For the protection of your furniture, particularly items of high gloss finish, we recommend that the product is placed on a protected surface during assembly to prevent any damage.
6. During assembly please take care not to over-tighten any fittings, as this may damage the product.

Care and Maintenance of your Furniture**General for Cabinets**

- Please periodically check all fittings and re-tighten as necessary.
- To clean your item, please use a damp cloth and wipe clean.
- Never allow any kind of liquid to remain on your furniture. Absorption can cause wood to warp or finishes to de-laminate.
- Please do not place hot items (e.g. hot drinks) directly on to the wood surface.
- Please do not drag and pull your furniture.