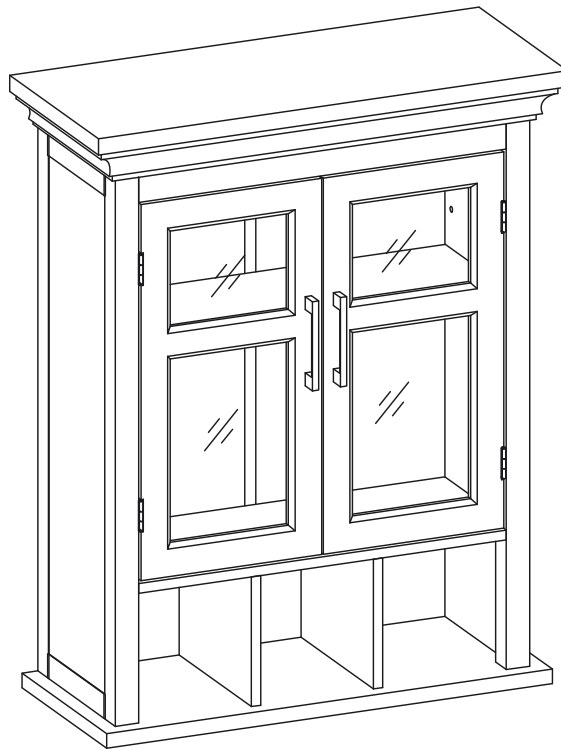


## AVINGTON / MIA / HAYES

---

### TWO DOOR WALL CABINET WITH CUBBIES

MODEL # AXCBC-006-WH





**DO NOT RETURN**

**FOR REPLACEMENT PARTS OR OTHER INQUIRIES  
PLEASE CONTACT US AT:**

**[simpli-home.com/customer-support](https://simpli-home.com/customer-support)**

**PLEASE ENSURE TO HAVE THE MODEL #  
FROM THE PACKAGING OR  
INSTRUCTION BOOKLET**

**IMPORTANT:** Please read this manual carefully before beginning assembly of this product. Keep this manual for future reference.

## **SAFETY INFORMATION**

Identify all the parts and hardware. Do not discard of the packaging until you have checked that you have all of the parts and hardware required. Hardware package may have spare parts.

**WARNING:** This item contains small parts which can be swallowed by children and pets. Keep children and pets away during assembly. To avoid danger of suffocation, always keep plastic bags away from children and pets.

We recommend that you assemble this unit on a carpeted floor to avoid scratches. We do not recommend the use of power tools for assembly as this could damage the unit. Only use manual tools.

**Requires 2 people for ease of assembly.**

## **CARE and MAINTENANCE**

To clean, use a soft or slightly damp cloth, then wipe with a clean, dry cloth. Dust with a soft dry cloth.

Do not use ammonia-based cleaning products, as they will damage the finish.

Do not leave liquids or damp cloths on this furniture.

To avoid dulling of the finish, do not place this furniture in direct sunlight.

Please inspect and tighten all screws or bolts on a regular basis to ensure proper performance and safety of your item.

# PRE-ASSEMBLY

## TOOLS REQUIRED



Hammer

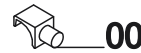
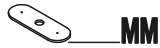
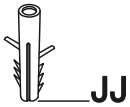
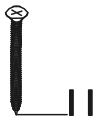
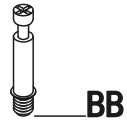
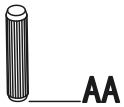


Phillips  
screwdriver



Level

## HARDWARE DESCRIPTION



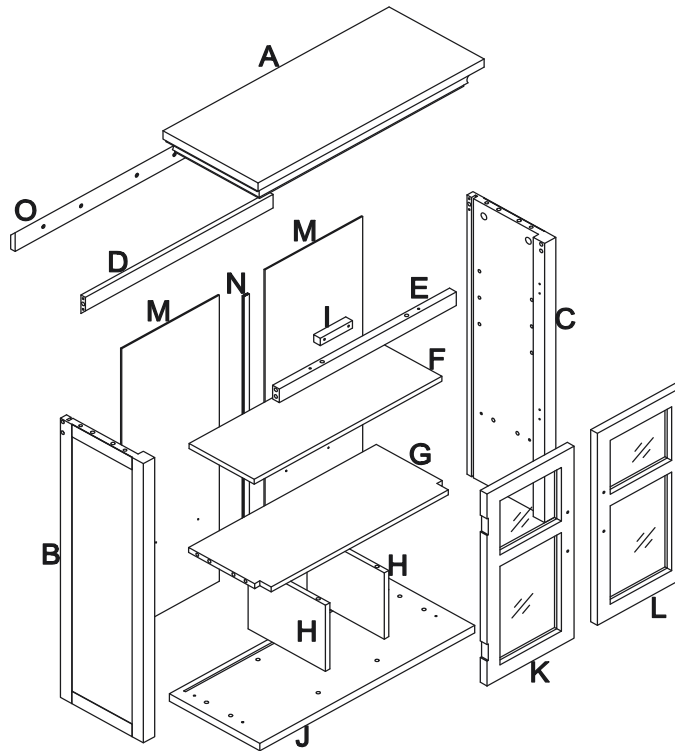
Part	Description	Quantity
AA	Wood Dowel	28
BB	Cam Bolt	8
CC	Cam Lock	8
DD	Screw	4
EE	Screw	2
FF	Magnet	1
GG	Screw	4
HH	Handle	2
II	Screw	4
JJ	Plastic Anchor	4
KK	Screw	18
LL	Metal Hinge	4
MM	Metal Plate	2
NN	Screw	10
OO	Shelf Support	4
PP	Screw	2
QQ	Cap	4

**NEED HELP?** For help with assembly or if you are missing a part,

Please call customer service at 1-866-518-0120 ext. 262 (9 am to 5 pm EST)

# PRE-ASSEMBLY

## PACKAGE CONTENTS



Part	Description	Quantity
A	Cabinet Top	1
B	Left Side Panel	1
C	Right Side Panel	1
D	Rear Cross Bar	1
E	Front Cross Bar	1
F	Adjustable Shelf	1
G	Middle Shelf	1
H	Divider	2
I	Wood Block	1
J	Bottom Panel	1
K	Left Side Door	1
L	Right Side Door	1
M	Back Panel	2
N	Panel Connector	1
O	Wall Support	1

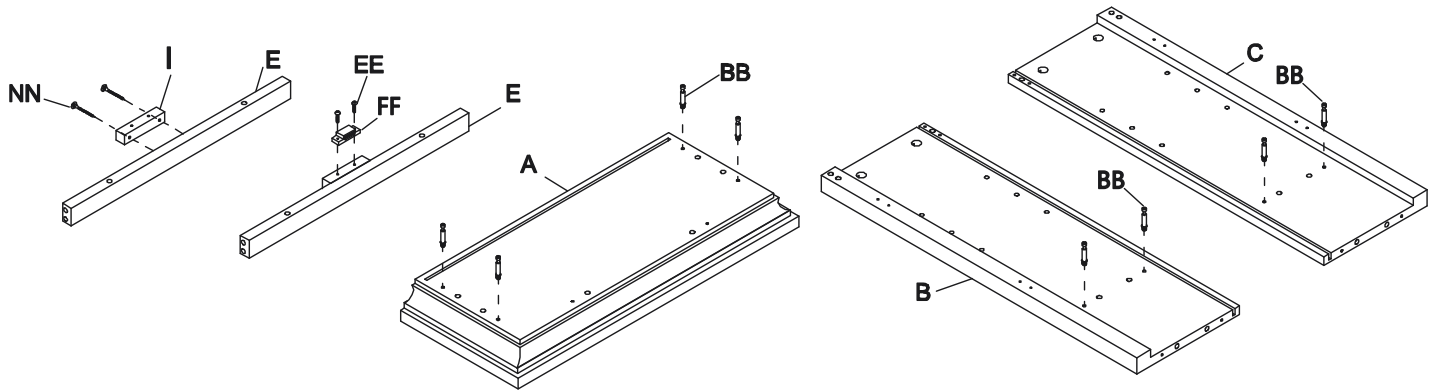
**NEED HELP?** For help with assembly or if you are missing a part,

Please call customer service at 1-866-518-0120 ext. 262 (9 am to 5 pm EST)

# ASSEMBLY

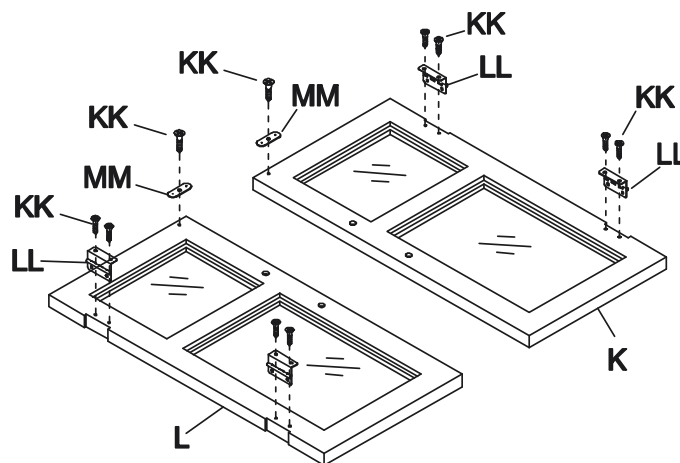
## 1 Assembling Cabinet Top, Side Panel and Front Cross Bar

- Lay down the left side panel (B), right side panel (C), cabinet top (A) and front cross bars (E).
- Screw eight cam bolts (BB) into the pre-drilled holes accordingly on all panels using a Phillips screwdriver.
- Attach the wood block (I) to the front cross bar (E) using screws (NN).
- Attach the magnet (FF) to the wood block (I) using screws (EE).



## 2 Assembling Doors

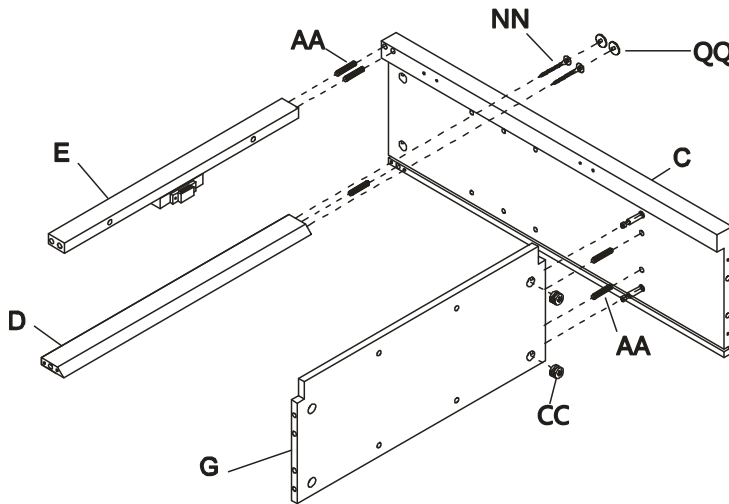
- Lay down the left side door (K) and right side door (L).
- Attach metal hinges (LL) and metal plates (MM) to doors (K) and (L) by inserting ten screws (KK) through the holes using a Phillips screwdriver.



## ASSEMBLY

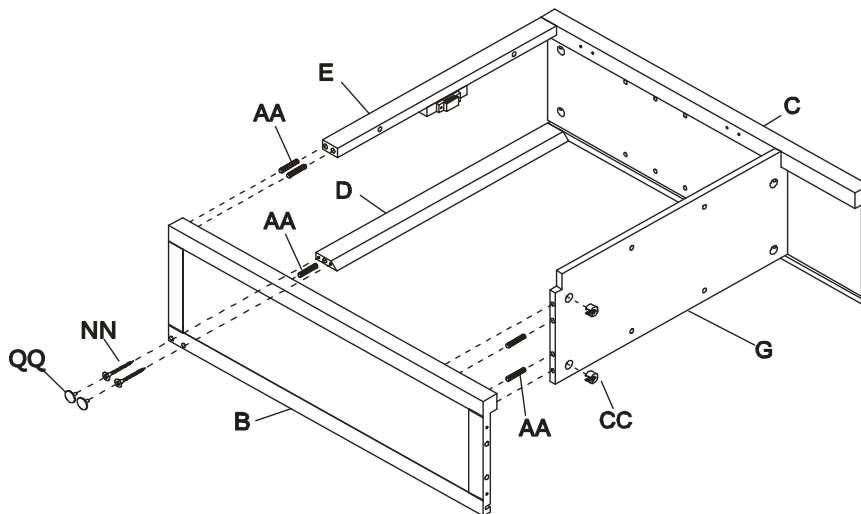
### 3 Assembling Right Side Panel

- Attach the rear cross bar (D), front cross bar (E) and middle shelf (G) to the right side panel (C) by inserting five wood dowels (AA), two screws (NN) and two cam locks (CC) on the middle shelf (G). Rotate clockwise to secure cam locks (CC) in place using a Phillips screwdriver.
- Cover screws (NN) with caps (QQ).



### 4 Assembling Left Side Panel

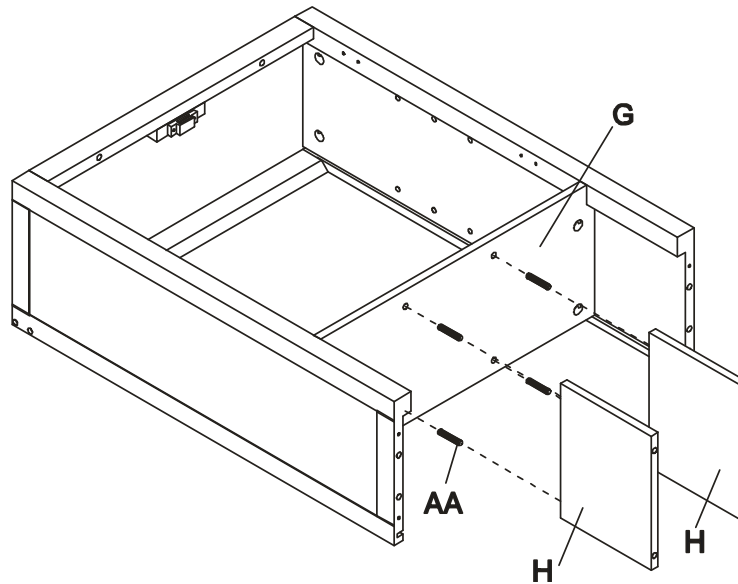
- Attach the rear cross bar (D), front cross bar (E) and middle shelf (G) to the left side panel (B) by inserting five wood dowels (AA), two screws (NN) and two cam locks (CC) to the middle shelf (G). Rotate clockwise to secure the cam locks (CC) in place using a Phillips screwdriver.
- Cover screws (NN) with caps (QQ).



## ASSEMBLY

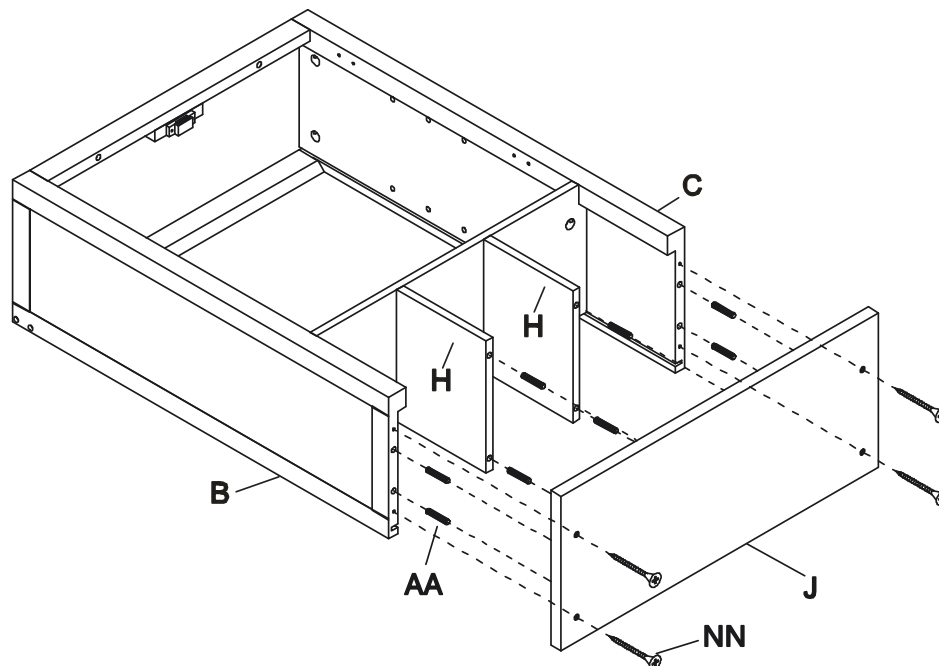
### 5 Assembling Dividers

- Attach the dividers (H) to the middle shelf (G) by inserting four wood dowels (AA).



### 6 Assembling Bottom Panel

- Attach the bottom panel (J) to the side panels (B) and (C) and dividers (H) by inserting eight wood dowels (AA) and four screws (NN).

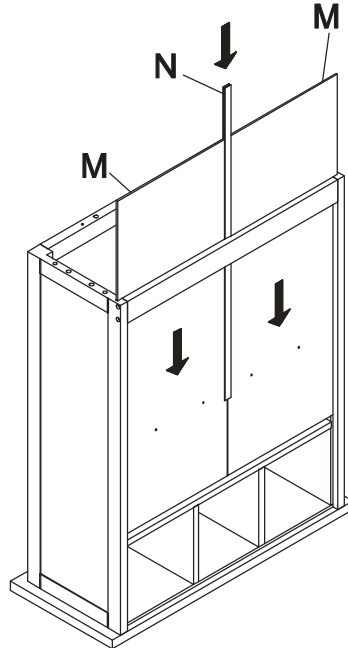




# ASSEMBLY

## 7 Inserting Back Panels

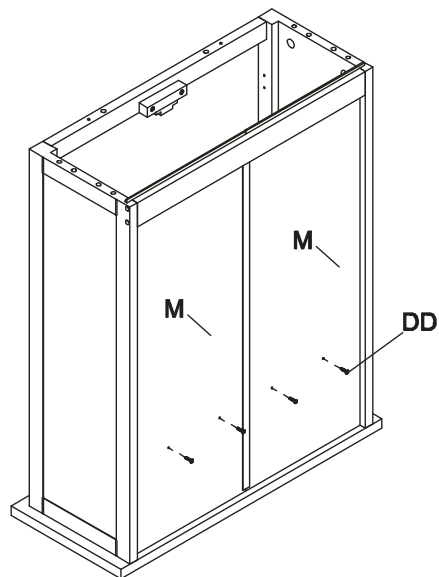
- Insert the back panels (M) and panel connector (N) into the assembly.



---

## 8 Attaching Back Panels

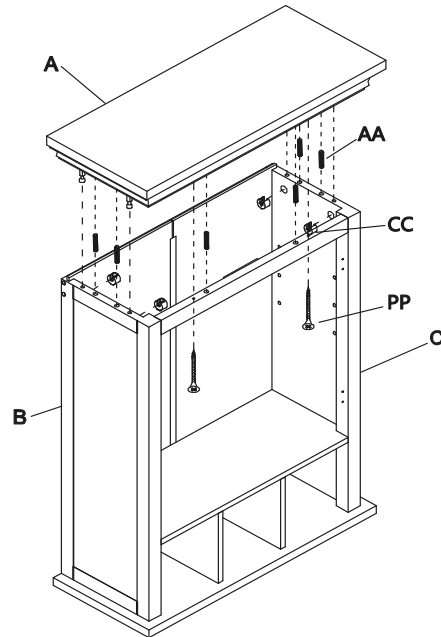
- Attach the back panels (M) using four screws (DD).



# ASSEMBLY

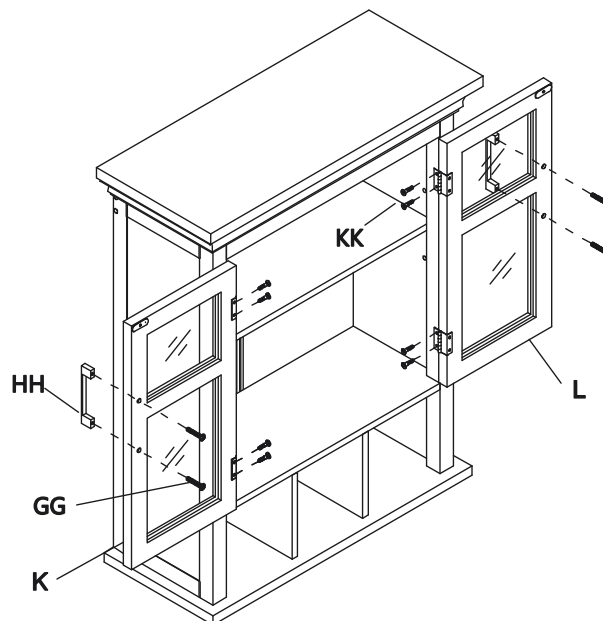
## 9 Assembling Cabinet Top

- Attach the cabinet top (A) by inserting six wood dowels (AA) into the pre-threaded holes on the side panels (B) and (C) and rear cross bar (D). Then insert two screws (PP). Insert four cam locks (CC) into cam lock holes on the side panels (B) and (C) and rotate clockwise to secure the cam bolts in place using a Phillips screwdriver.



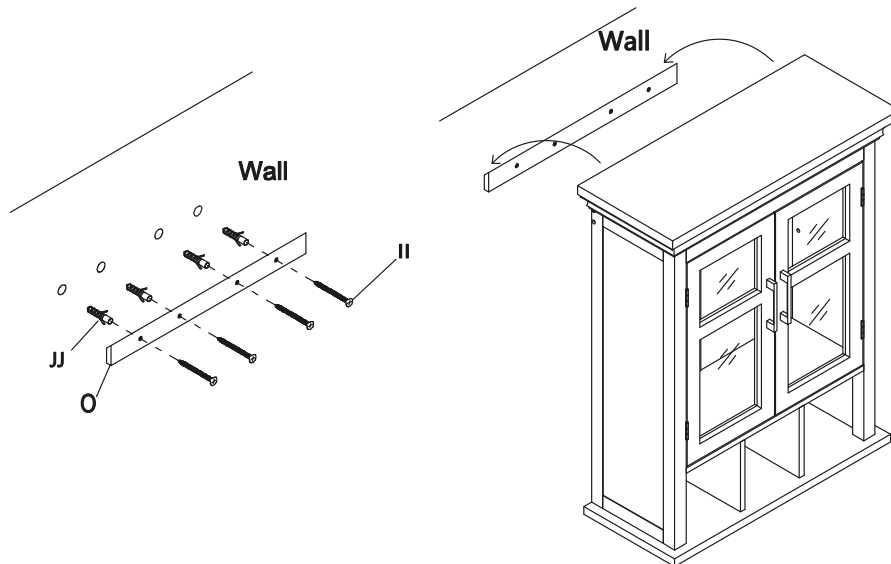
## 10 Assembling Door

- Attach the doors (K) and (L) to the side panels (B) and (C) with eight screws (KK) using a Phillips screwdriver.
- Attach the handles (HH) to the door with four screws (GG) using a Phillips screwdriver.



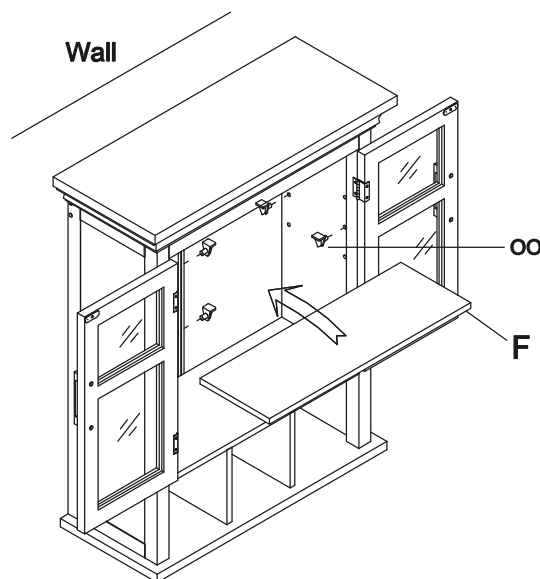
## 11 Attaching to the Wall

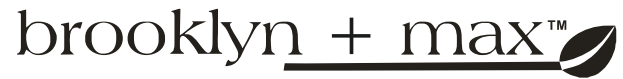
- Using a level, position the wall support (O) in a desired location.
- According to the position of the wall support (O) drill four holes in the wall.
- Insert four plastic anchors (JJ) into holes on the wall then attach the wall support (O) using four screws (II).
- Hang the cabinet.



## 12 Assembling Adjustable Shelf

- Place the adjustable shelf (F) inside the cabinet using four shelf supports (OO).





## WARRANTY

Thank you for purchasing a **Simpli Home – Wyndenhall – Brooklyn + Max** product. These products have been made to demanding, high-quality standards and are guaranteed for domestic use against manufacturing faults for a period of 12 months from the date of purchase. This warranty does not affect your statutory rights.

In case of any malfunction of your product (failure, missing parts, etc.) please contact us at our toll free service line at 1-866-518-0120 ext. 262 from 9 am to 5 pm, Monday to Friday, Eastern Standard Time or by email at [simpli-home.com/customer-support](https://simpli-home.com/customer-support).

We reserve the right to repair or replace the defective product, at its discretion.

This product is guaranteed for 12 months if used for normal purposes. Any warranty is invalid if the product has been overloaded or subject to neglect, improper use or an attempted repair by other than an authorized agent. Heavy-duty or daily professional/commercial usage are not guaranteed.

Due to continuous product improvement, we reserve the right to change the product specifications without prior notice.



## Question, problems, missing parts?

**Before returning** please email Customer Support at

[simpli-home.com/customer-support](mailto:simpli-home.com/customer-support)

or call

Customer Service at 1-866-0518-0120 ext. 262

Monday to Friday between 9 am – 5 pm EST

For more information visit us on our website

[www.simpli-home.com](http://www.simpli-home.com)

Like us on facebook

[www.facebook.com/simplihomefurnishings](http://www.facebook.com/simplihomefurnishings)



brooklyn + max™

**ENTER  
TO WIN**

**Upload an image of our furniture in your home with a short review to our facebook page and have a chance to**

**Win your choice of any one of  
Simpli Home furniture pieces  
Free!!!**

[www.facebook.com/simplihomefurnishings](http://www.facebook.com/simplihomefurnishings)

(draws monthly – shipping included)

(vanities not included)

