

**SIMPLI**<sup>™</sup>  
**H O M E**

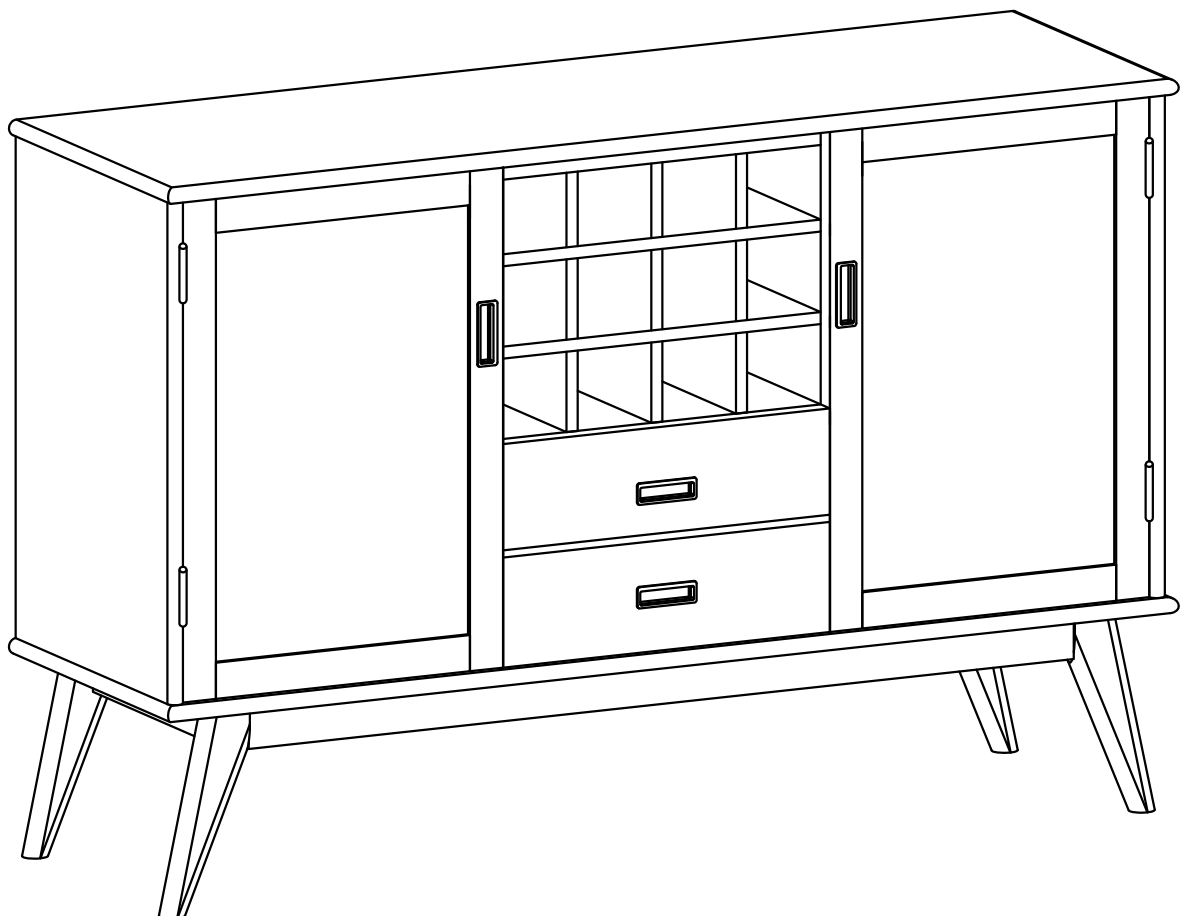
*Wyndent Hall*<sup>™</sup>  
HOME DECOR  
brooklyn + max<sup>™</sup>

DRAPER / BAXTER / TIERNEY

---

SIDEBOARD BUFFET & WINE RACK

MODEL # 3AXCDRP-10





## **DO NOT RETURN**

**FOR REPLACEMENT PARTS OR OTHER INQUIRIES  
PLEASE CONTACT US AT:**

**[simpli-home.com/customer-support](https://simpli-home.com/customer-support)**

**PLEASE ENSURE TO HAVE THE MODEL #  
FROM THE PACKAGING OR  
INSTRUCTION BOOKLET**

**IMPORTANT** : Please read this manual carefully before beginning assembly of this product. Keep this manual for future reference.

## **SAFETY INFORMATION**

Identify all the parts and hardware. Do not discard of the packaging until you have checked that you have all of the parts and hardware required. Hardware package may have spare parts.

**WARNING:** This item contains small parts which can be swallowed by children and pets. Keep children and pets away during assembly. To avoid danger of suffocation, always keep plastic bags away from children and pets. We recommend that you assemble this unit on a carpeted floor to avoid scratches. We do not recommend the use of power tools for assembly as this could damage the unit. Only use manual tools.

**May require 2 people for ease of assembly.**

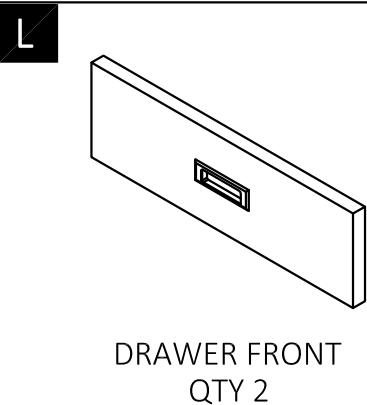
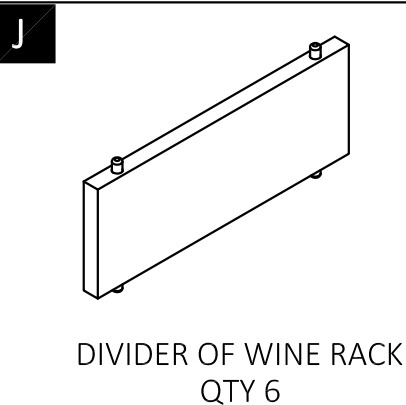
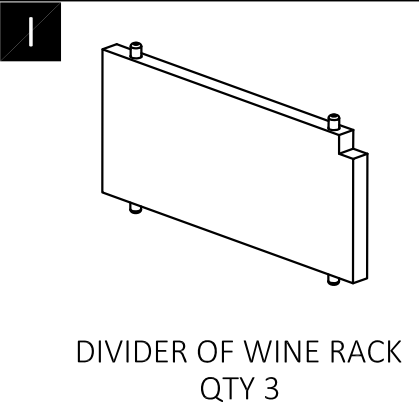
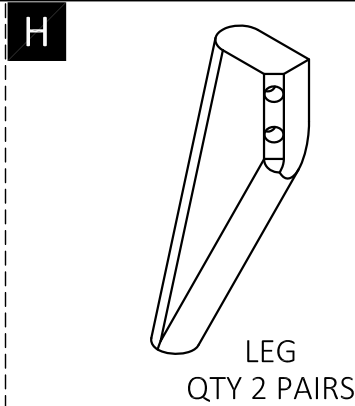
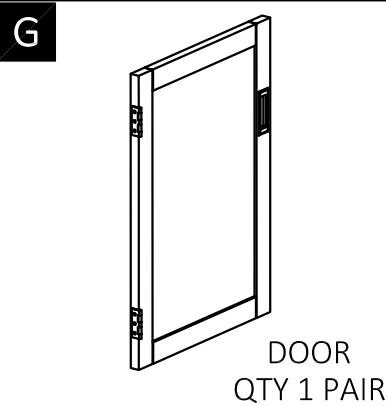
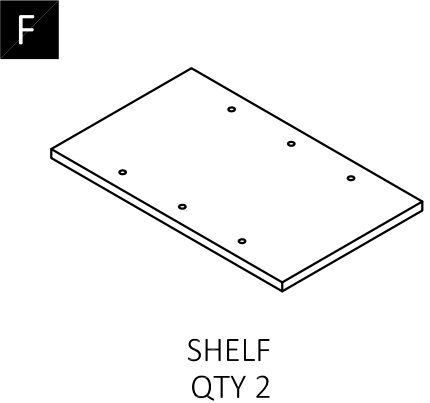
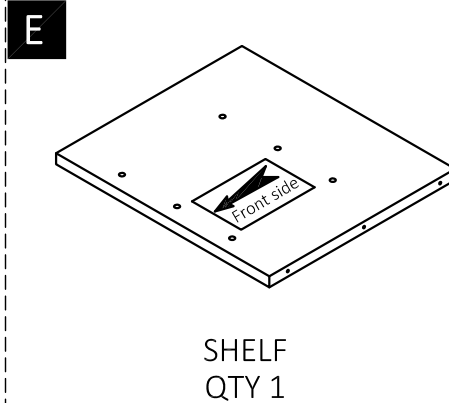
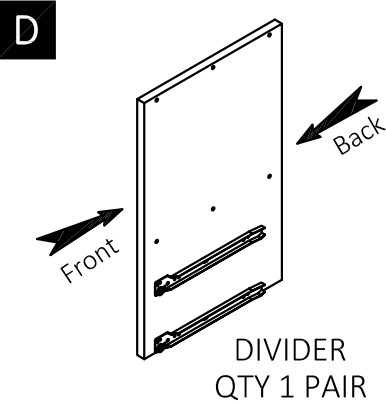
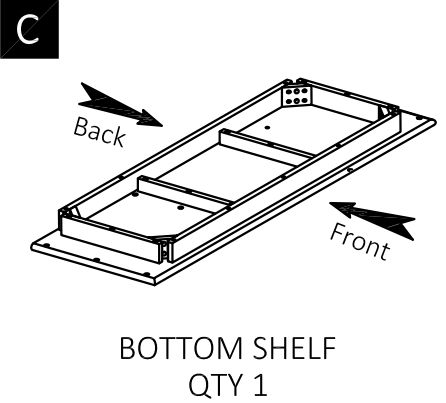
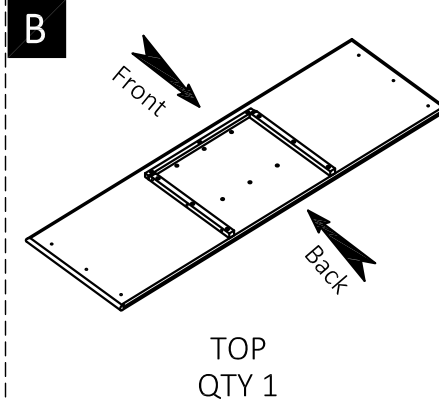
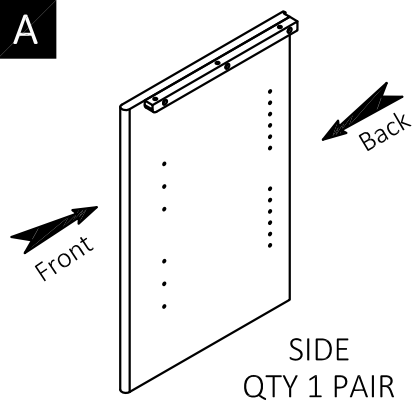
## **CARE and MAINTENANCE**

To clean, use a soft or slightly damp cloth, then wipe with a clean, dry cloth. Dust with soft dry cloth.

Do not use ammonia-based cleaning products, as they will damage the finish. Do not leave liquids or damp cloths on this furniture.

To avoid dulling of the finish, do not place furniture in direct sunlight. Please inspect and tighten all screws or bolts on a regular basis to ensure proper performance and safety of your item.

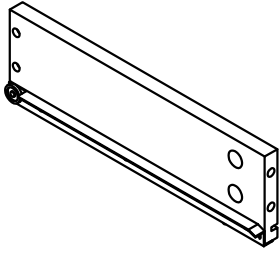
PART DESCRIPTION



**NEED HELP?** For help with assembly or if you are missing a part,  
Please call customer service at 1-866-518-0120 ext. 262 (9 am to 5 pm EST)

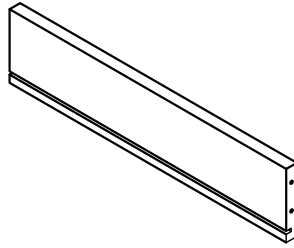
PART DESCRIPTION

M



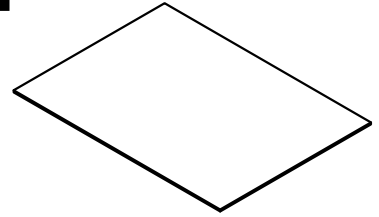
DRAWER SIDE  
QTY 2 PAIRS

N



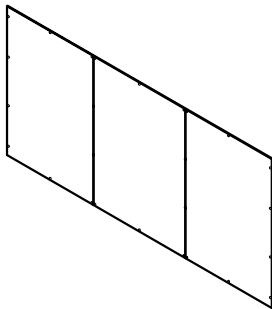
DRAWER BACK  
QTY 2

O



DRAWER BOTTOM  
QTY 2

P

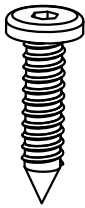


BACK PANEL  
QTY 1 SET

**NEED HELP?** For help with assembly or if you are missing a part,  
Please call customer service at 1-866-518-0120 ext. 262 (9 am to 5 pm EST)

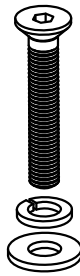
HARDWARE DESCRIPTION

1



ALLEN KEY SCREW  
M6 X 30mm  
QTY 38

2



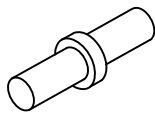
BOLTS AND WASHERS  
M8 x 60 mm  
QTY 8 SETS

3



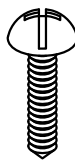
ALLEN KEY  
QTY 1

4



SHELF SUPPORT  
QTY 24

5



PHILLIPS SCREW  
ROUND HAED  
M4 X 15mm  
QTY 26

6



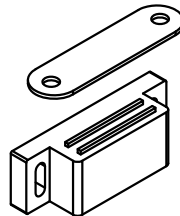
PHILLIPS SCREW  
M3 X 12mm  
QTY 12

7



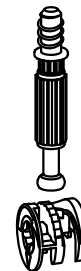
PHILLIPS SCREW  
M3 X 15mm  
QTY 8

8



MAGNET AND PLATE  
QTY 2 SETS

9

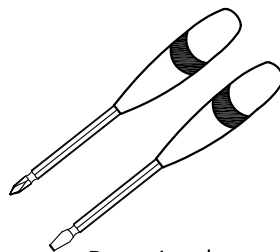


CAM LOCK PIN  
CAM LOCK  
QTY 8 SETS

10

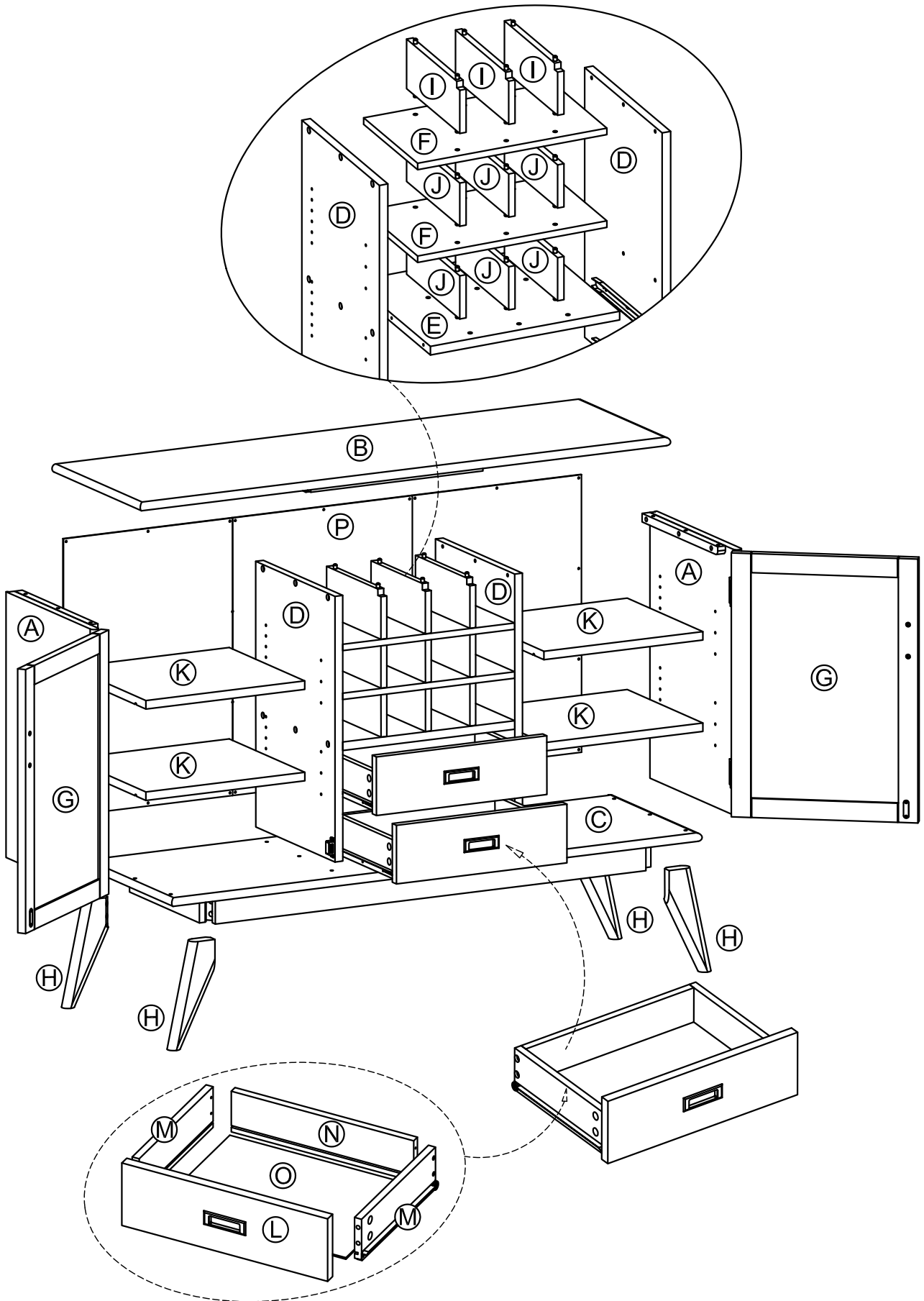


- a. M4 X 25mm - QTY 1
  - b. M4 X 15mm - QTY 1
  - c. M4 X 25mm - QTY 1
- TIPPING RESTRAINT  
QTY 1 SET

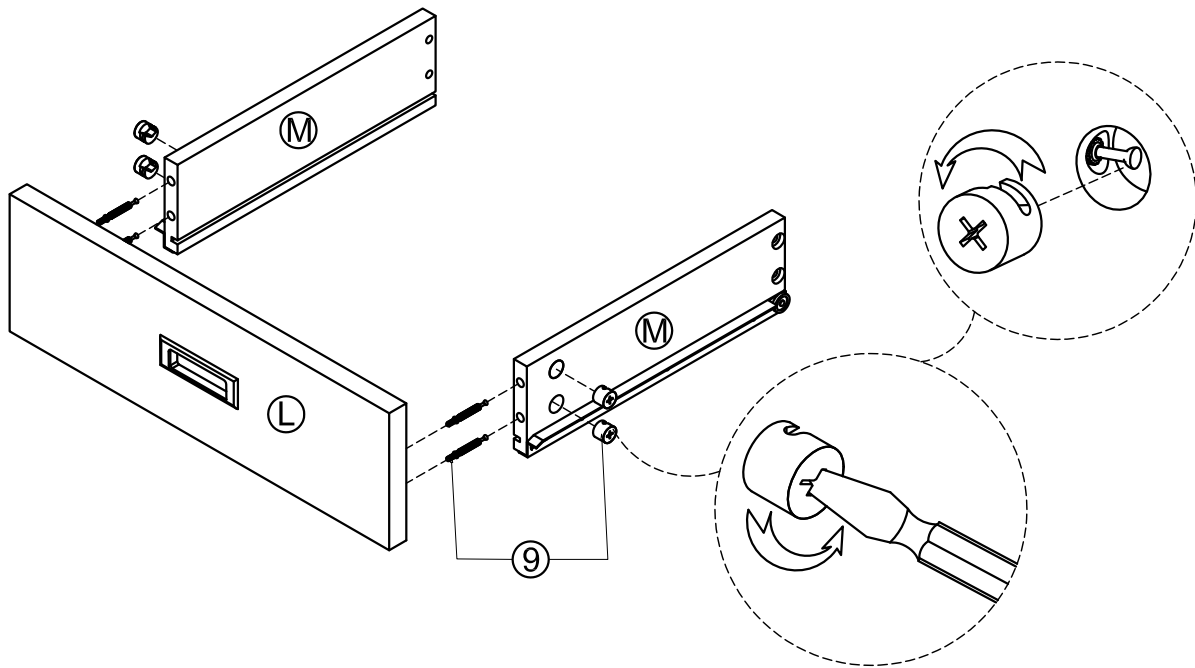


Required -  
Flathead screwdriver  
Phillips screwdriver  
**Not Included**

**NEED HELP?** For help with assembly or if you are missing a part,  
Please call customer service at 1-866-518-0120 ext. 262 (9 am to 5 pm EST)

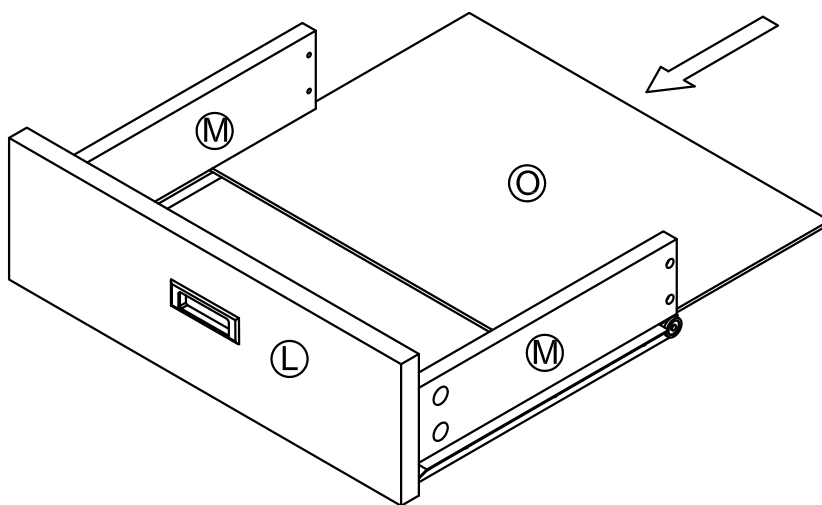


## STEP-1



1. Attach 4 Cam Lock Pins (9) to pre-drilled holes at back of Drawer Front (L).
2. Align Cam Lock Pins with pre-drilled holes and attach Drawer Side (M).
3. Insert 2 Cam Locks (9) into pre-drilled holes on each Drawer Side (M).
4. Use flathead screwdriver secure Cam Locks.

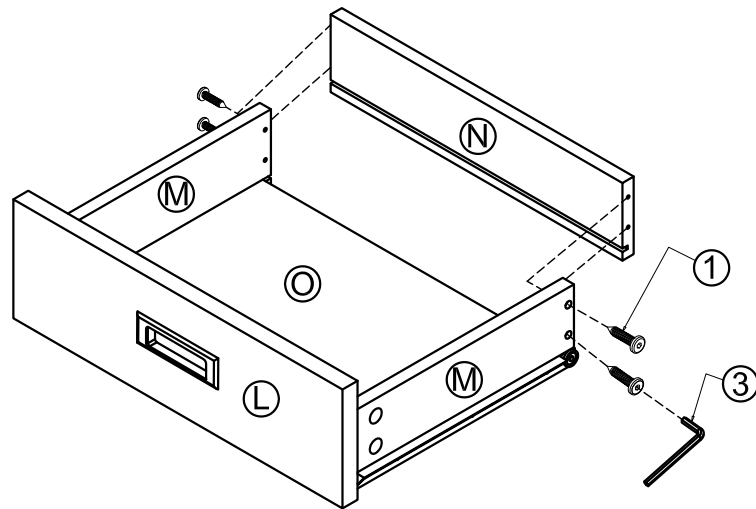
## STEP-2



1. Slide Drawer Bottom (O) firmly into slots on Drawer Sides (M) and Drawer Front (L).

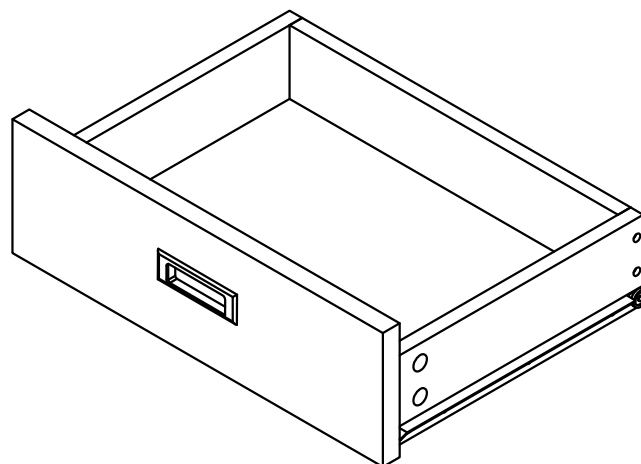


## STEP-3

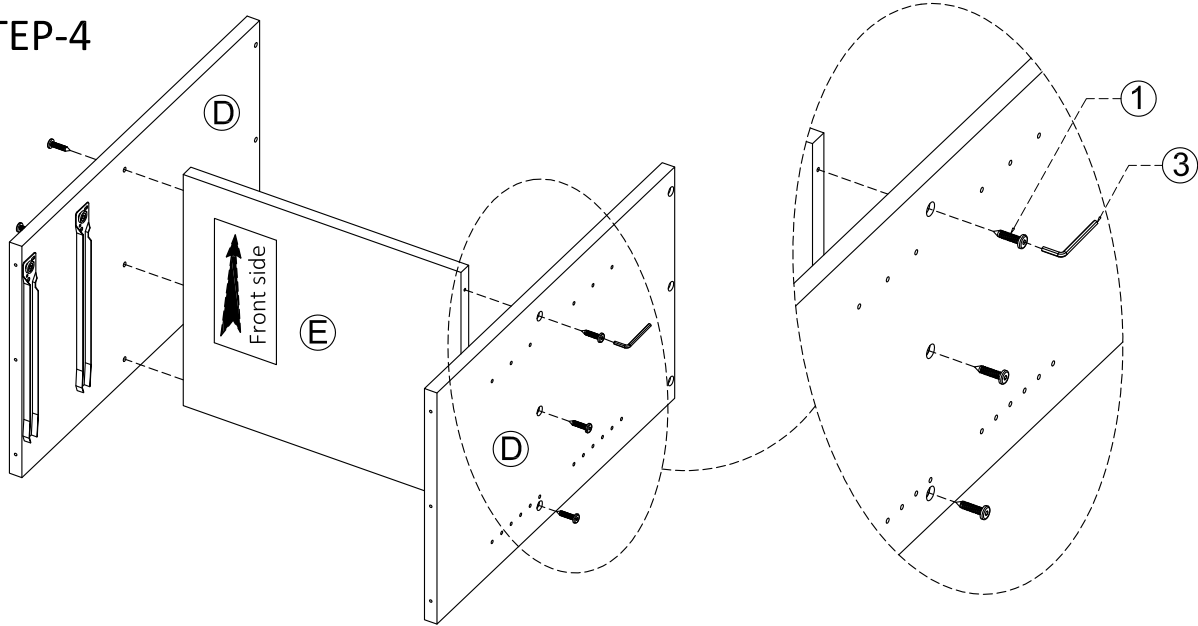


1. Align Drawer Back (N) with Drawer Bottom (O) and press firmly into slot.
2. Attach Drawer Back (N) using 2 Allen Key Screws (1) through pre-drilled holes on each Side (M).
3. Use Allen Key (3) to tighten screws. Do not over-tighten.

Repeat Step 1-3 for the second drawer.

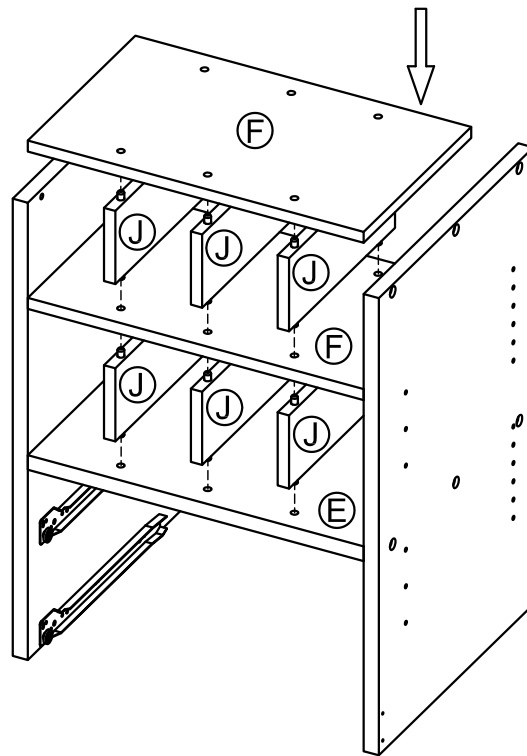


## STEP-4



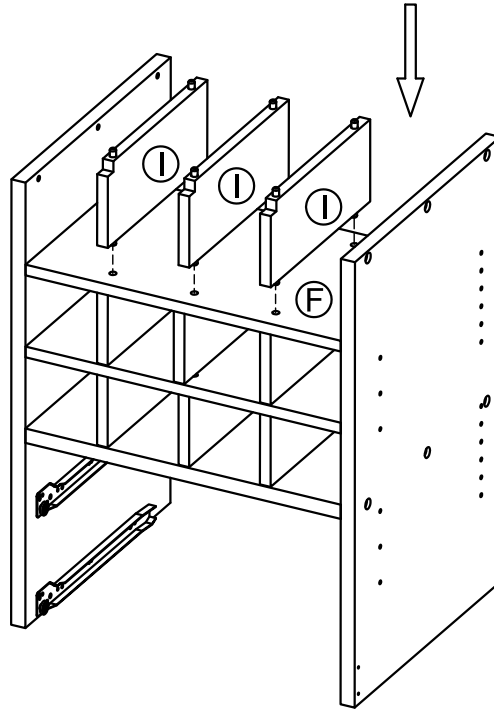
1. Attach Dividers (D) to Shelf (E) using 6 Allen Key Screws (1) (3 Screws on each Divider).
2. Use Allen Key (3) to tighten screws. Do not over-tighten.

## STEP-5



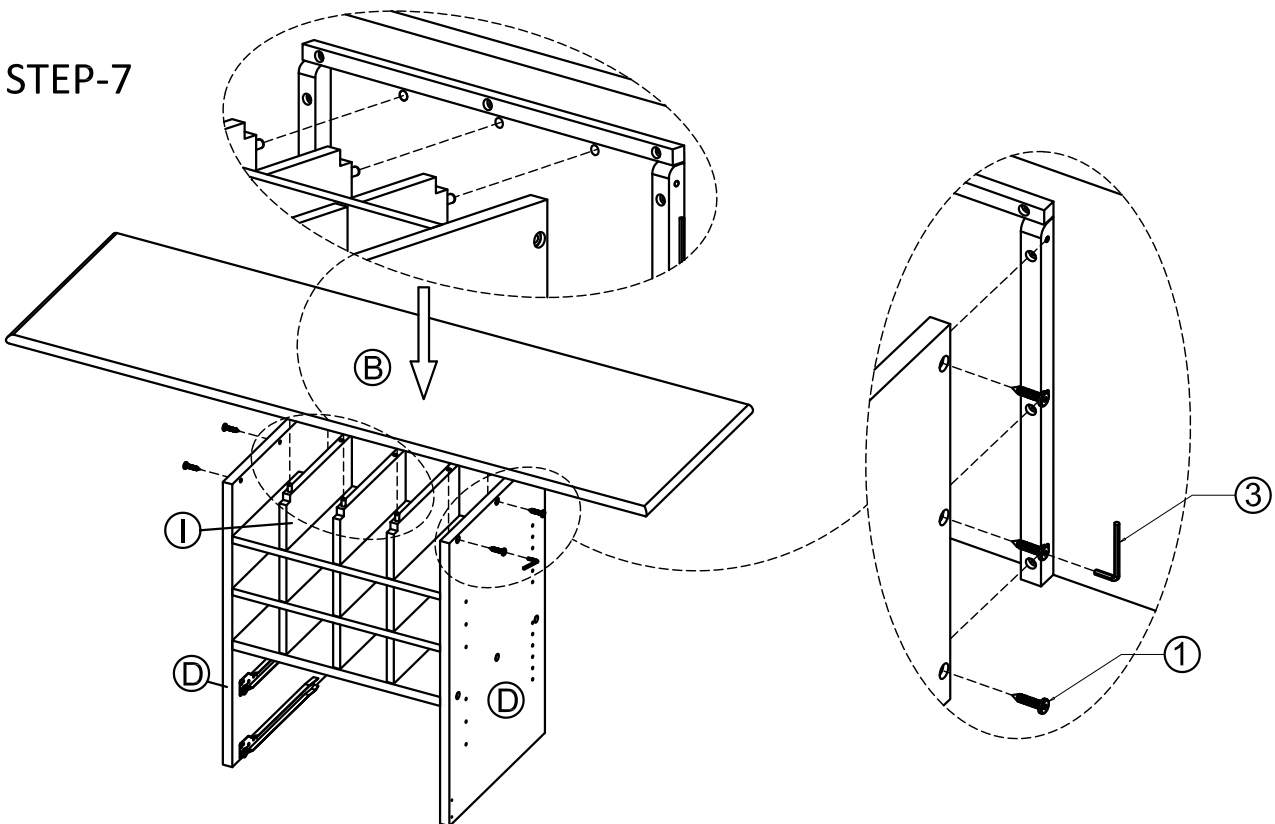
1. Attach 3 Dividers (J) to Shelf (E) by aligning and inserting dowels in Divider (J) into pre-drilled holes on Shelf (E).
2. Align dowels on Dividers (J) into pre-drilled holes on the bottom of Shelf (F) and attach Shelf (F).
3. Attach the remaining 3 Dividers (J) to Shelf (F) by aligning and inserting dowels in Divider (J) into pre-drilled holes on Shelf (F).
4. Align dowels on Dividers (J) into pre-drilled holes on the bottom of the second Shelf (F) and attach Shelf (F).

## STEP-6



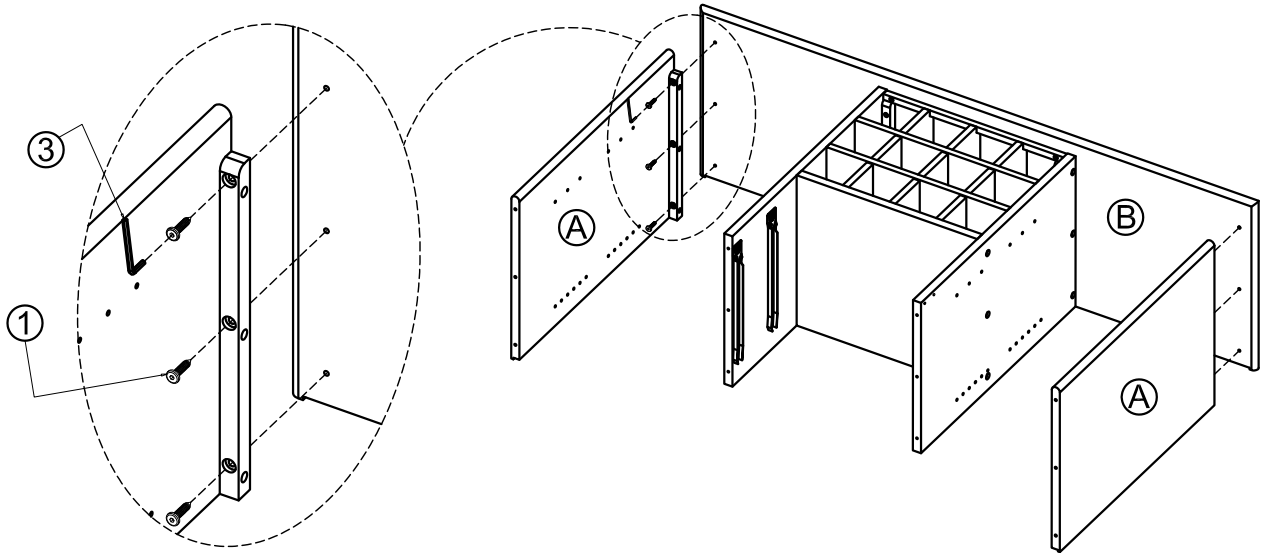
1. Align Dowels on Divider of Wine Rack (I) with pre-drilled holes on Shelf (F).
2. Attach Divider of Wine Rack (I) to Shelf (F).

## STEP-7



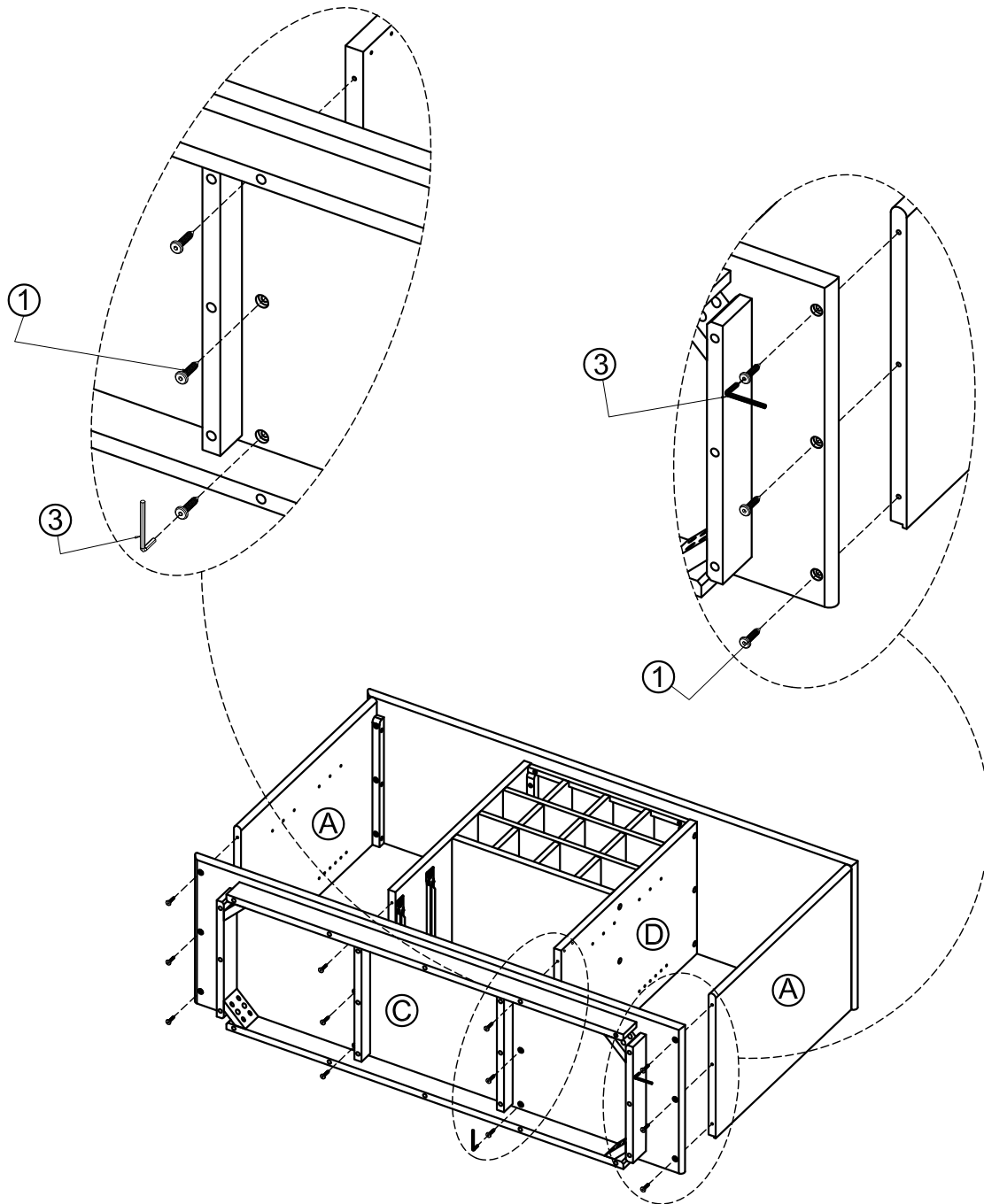
1. Attach Top (B) to 3 Dividers of Wine Rack (I).
2. Align Dowels on Dividers (I) with pre-drilled holes on Top (B).
3. Attach Dividers (D) to Top (B) using 6 Allen Key Screws (1) (3 Screws on each Divider).
4. Use Allen Key (3) to tighten screws. Do not over-tighten.

## STEP-8



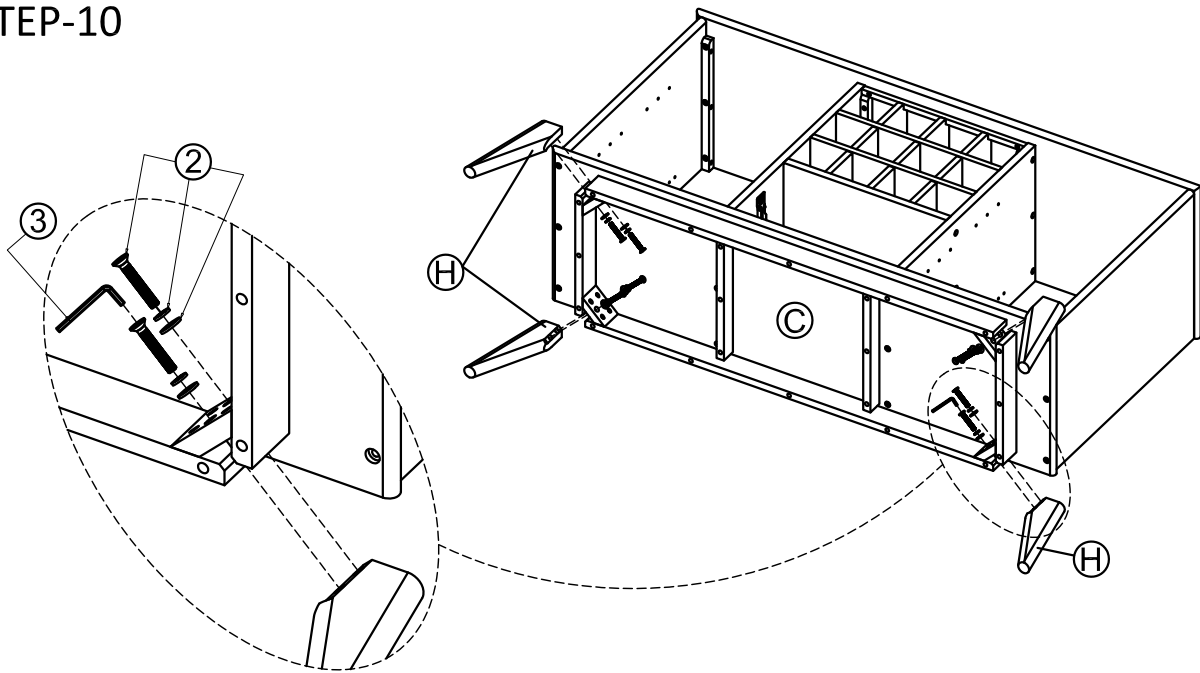
1. Attach 2 Sides (A) to Top (B) using 6 Allen Key Screws (1) (3 Screws on each Side).
2. Use Allen Key (3) to tighten Bolts. Do not over-tighten.

## STEP-9



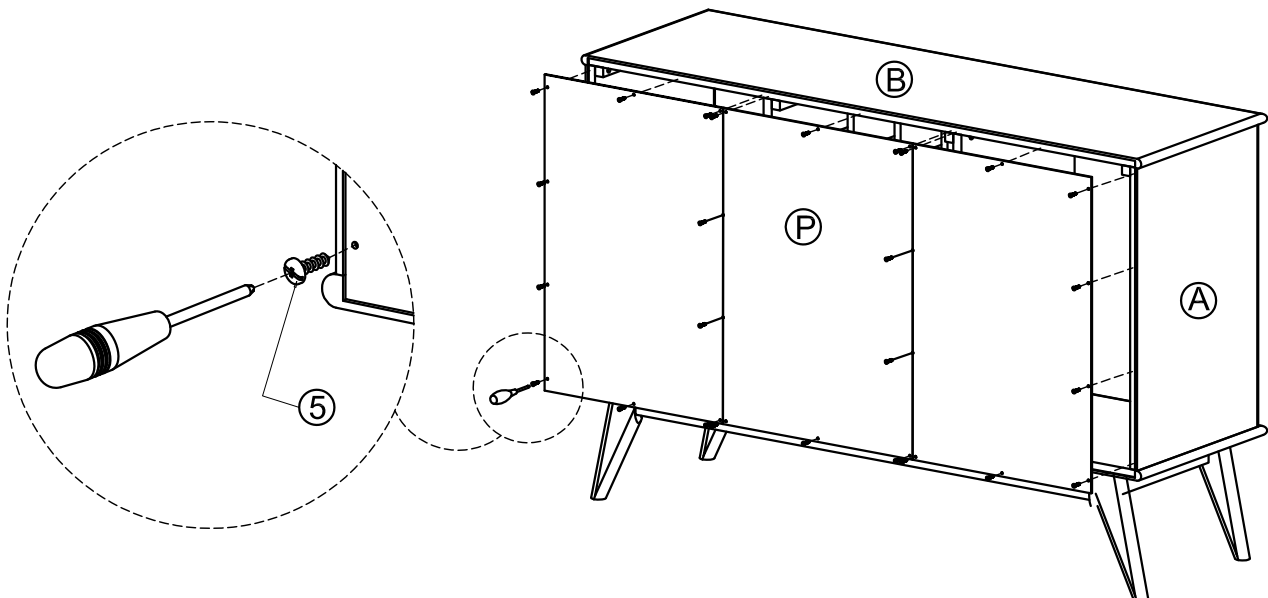
1. Attach Bottom Shelf (C) to 2 Sides (A) and 2 Dividers (D) using 12 Allen Key Screws (1) (3 Screws on each Side and Divider).
2. Use Allen Key (3) to tighten screws. Do not over-tighten.

## STEP-10



1. Attach Legs (H) to Bottom Shelf (C) using 8 sets Bolts and Washers (2) (2 sets on each Leg).
2. Use Allen Key (3) to tighten Bolts. Do not over-tighten.

## STEP-11

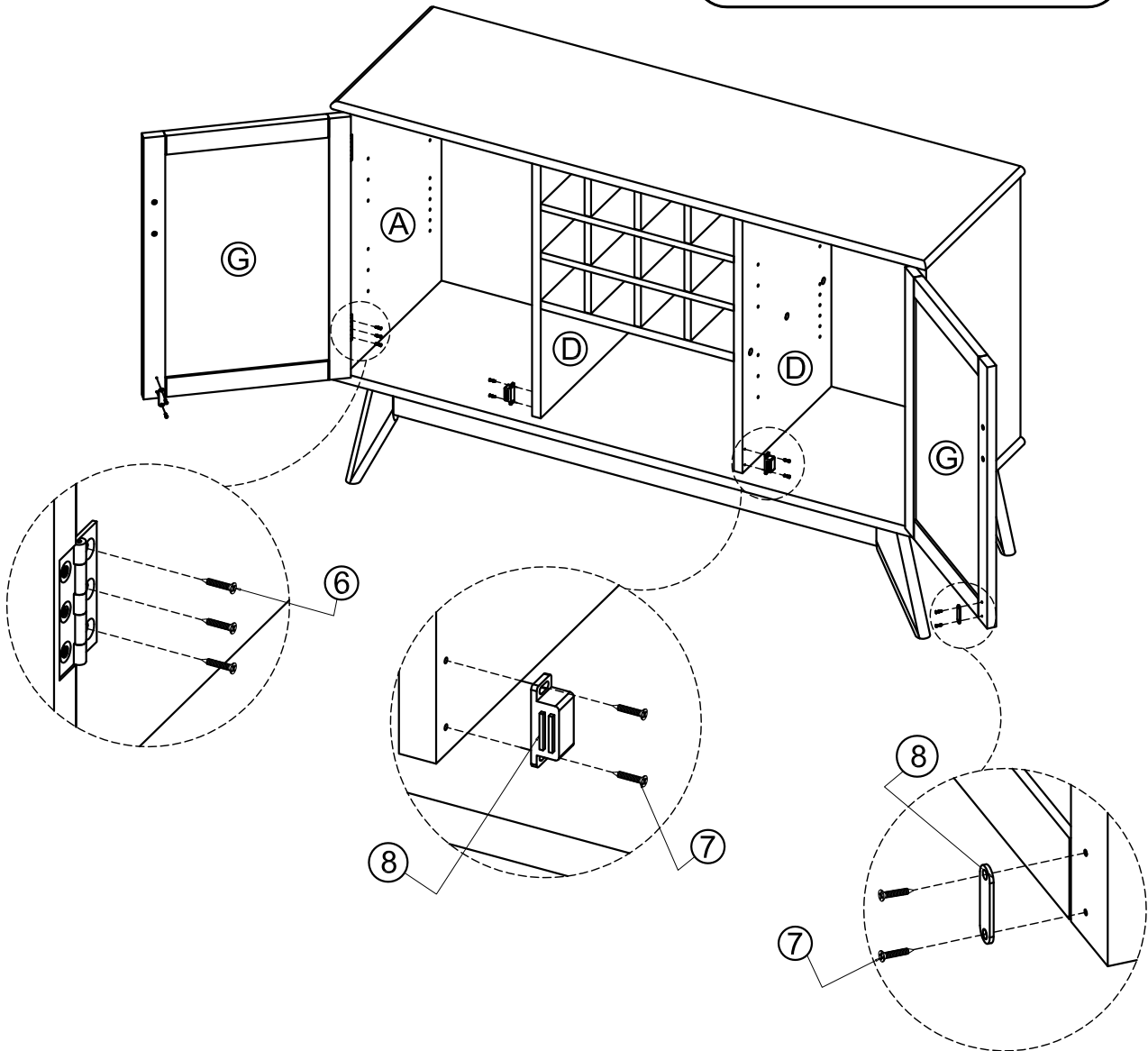


1. Attach Back Panel (P) to back frame of sideboard by using 26 Phillips Screws (5).
2. Use Phillips screwdriver to snugly tighten screw.

## STEP-12

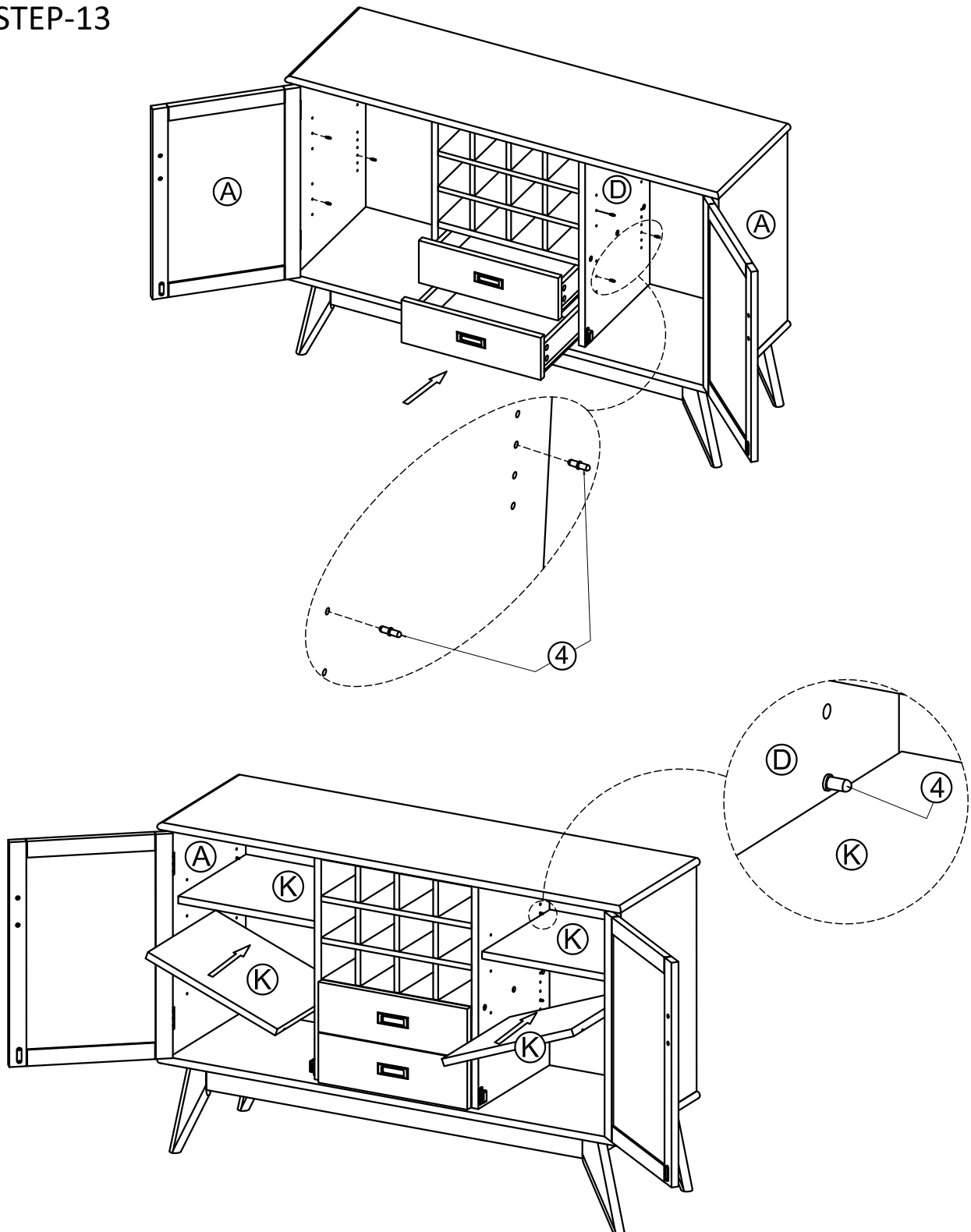


**NOTE:** The screwdriver is not included in the hardware pack.



1. Attach hinges on Doors (G) to Sides (A) using Phillips Screws (6) into guide holes.
2. Attach Magnet Plates (8) to bottom corner of Door (G) using Phillips Screws (7) into guide holes on Doors (G).
3. Attach Magnet (8) using Phillips Screws (7) into guide holes on Dividers (D).
4. Use a Phillips screwdriver to snugly tighten screw.

## STEP-13

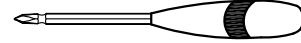


1. Use 4 Shelf Supports (4) for each Shelf Cabinet part (K) in desired location.
2. 2 Shelf Supports (4) may be used on back top of each Shelf Cabinet part (K) as a tipping restraint.
3. Insert assembled drawers into glides on assembled sideboard.

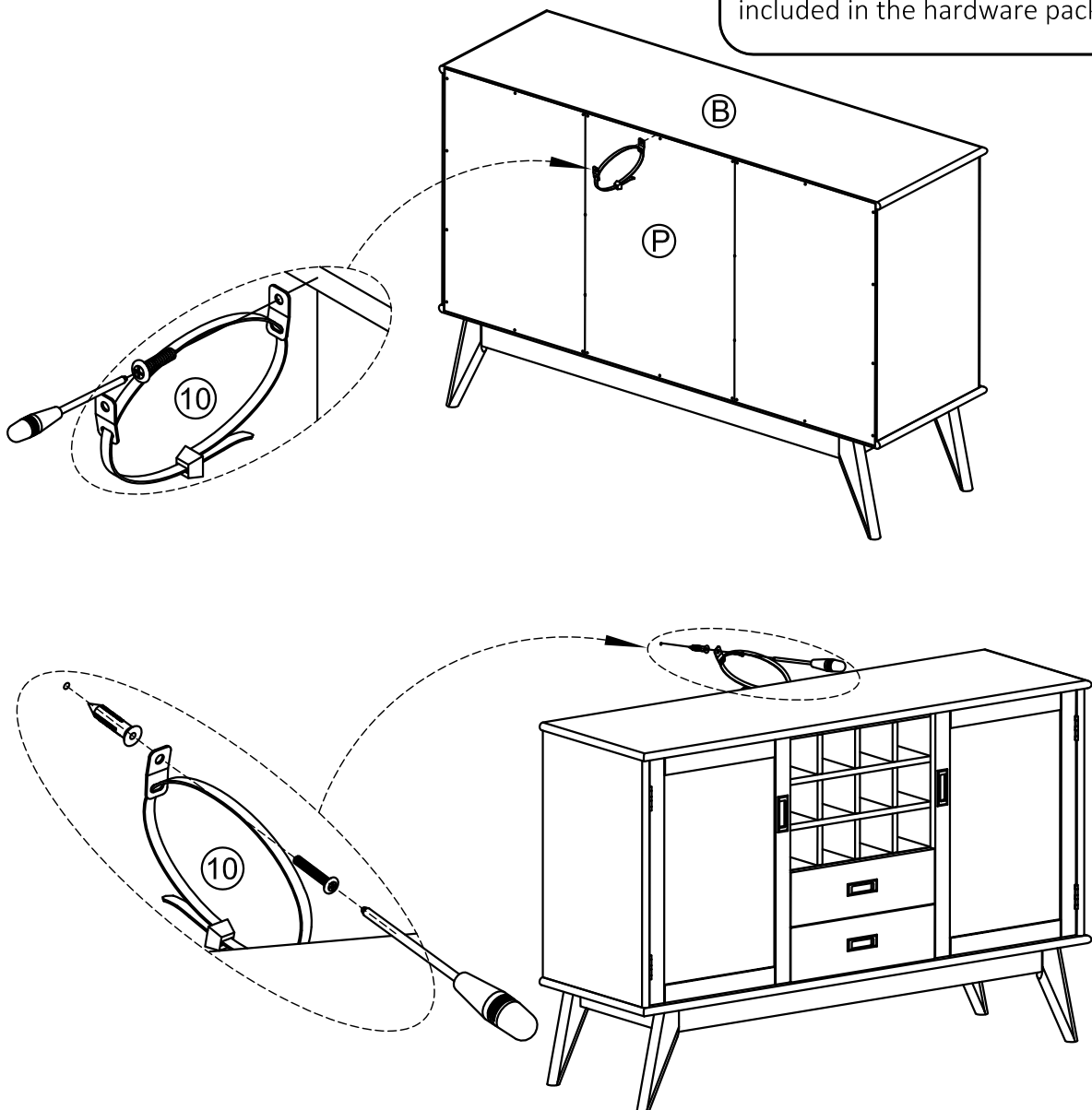


NOTE: Injuries and damage can occur from furniture tip-over. It is important to use the safety bracket included. If the tipping restraint kit is not in the box, please contact our customer service department in order to obtain another kit before using the furniture.

## STEP-14



NOTE: The screwdriver is not included in the hardware pack.



1. To attach Tipping Restraint (10), follow instructions on Tipping Restraint package.

***When you determined the location for your unit, install the Furniture Tipping restraint. Carefully follow the instructions contained on the package.***



## WARRANTY

Thank you for purchasing a **Simpli Home – Wyndenhall – Brooklyn + Max** product. These products have been made to demanding, high-quality standards and are guaranteed for domestic use against manufacturing faults for a period of 12 months from the date of purchase. This warranty does not affect your statutory rights.

In case of any malfunction of your product (failure, missing parts, etc.) please contact us at our toll free service line at 1-866-518-0120 ext. 262 from 9 am to 5 pm, Monday to Friday, Eastern Standard Time or by email at [simpli-home.com/customer-support](mailto:simpli-home.com/customer-support).

We reserve the right to repair or replace the defective product, at its discretion.

This product is guaranteed for 12 months if used for normal purposes. Any warranty is invalid if the product has been overloaded or subject to neglect, improper use or an attempted repair by other than an authorized agent. Heavy-duty or daily professional/commercial usage are not guaranteed.

Due to continuous product improvement, we reserve the right to change the product specifications without prior notice.

**PLEASE NOTE:** This item is hand-crafted and hand-finished with utmost care. As such, variations and imperfections should be expected and should be welcomed as the natural beauty of the wood.



## Question, problems, missing parts?

Before returning please email Customer Support at  
[simpli-home.com/customer-support](mailto:simpli-home.com/customer-support)

or call

Customer Service at 1-866-518-0120 ext. 262  
Monday to Friday between 9 am – 5 pm EST

For more information visit us on our website  
[www.simpli-home.com](http://www.simpli-home.com)

Like us on facebook  
[www.facebook.com/simplihomefurnishings](http://www.facebook.com/simplihomefurnishings)

**SIMPLI**<sup>™</sup>  
**H O M E**

WyndenHall<sup>™</sup>  
HOME DECOR  
brooklyn + max<sup>™</sup>

**ENTER  
TO WIN**

**Upload an image of our furniture in your  
home with a short review to our  
facebook page and have a chance to**

**Win your choice of any one of  
Simpli Home furniture pieces  
Free!!!**

[www.facebook.com/simplihomefurnishings](http://www.facebook.com/simplihomefurnishings)

(draws monthly – shipping included)

(vanities not included)

