



SIGNATURE OVAL POT RACK SPR1

Thank you for choosing Enclume!

Enclume racks are the ultimate in quality, design, strength and function.

WARNING: READ ALL OF THE INSTRUCTIONS BEFORE ASSEMBLING AND USING YOUR RACK



If you need help, please call 1-877-ENCLUME
Enclume Design Products
24 Colwell Street, Port Hadlock, WA 98339
Phone 360-385-6100 • Fax 360-385-6156
www.enclume.com

Enclosed you will find everything needed for the assembly and use of your storage rack. Two people make assembly and installation easier. The parts and hardware included are:

Hardware included:

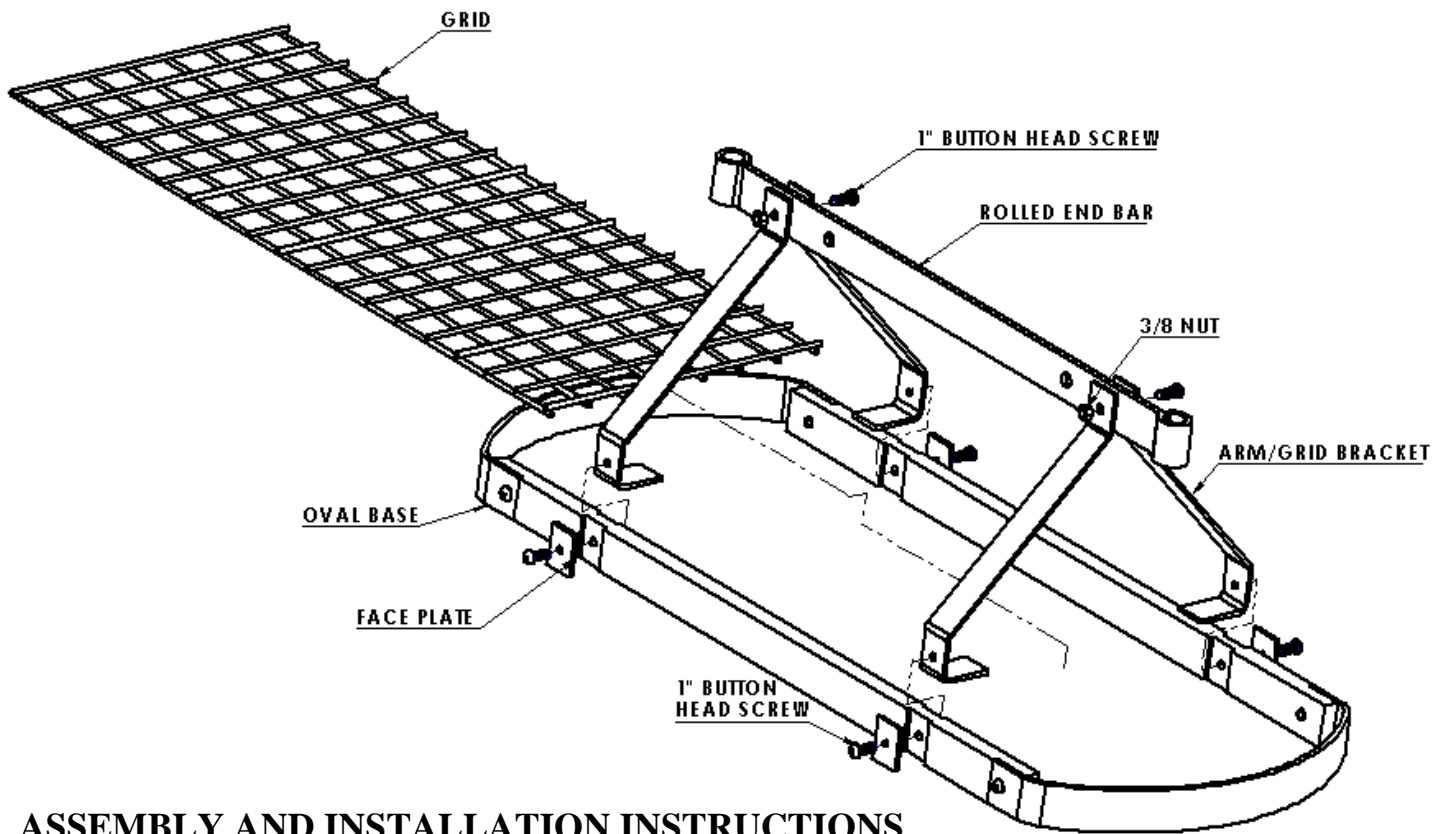
- 6 – 3/8" x 1" Button Head Screws
- 4 – 3/8" x 1 1/4" Button Head Screws
- 2 – 3/8" Nuts
- 2 – Ceiling Screw Hooks
- 2 – 5" Extension Hooks
- 1 – 7/32" Allen Wrench
- Toggle Kit (dry wall anchors)

Components included:

- 1 – Oval Base
- 1 – Rolled End Bar
- 4 – Arms/grid bracket
- 4 – Face Plates 2" x 1 1/2" (attaches to wood and arms)
- 12 – Straight Pot Hooks – 6 Angled Hooks – 45" Rack
- 12 – Straight Pot Hooks – 6 Angled Hooks – 36" Rack
- 6 – Straight Pot Hooks – 6 Angled Hooks – 30" Rack
- 1 Grid



See reverse side for ASSEMBLY AND INSTALLATION INSTRUCTIONS



ASSEMBLY AND INSTALLATION INSTRUCTIONS

Rack Assembly

- 1) Place one face plate in the notch at one end of oval. Place the arm on the inside of the wood with the “L” shape (grid bracket) facing in. Using a 3/8" x 1 1/4" button head, screw through the face plate in (so that the head of the screw is on the outside) and through the wood into the arm. Repeat for the other 3 arms.
- 2) Attach the rolled end bar to the top of the arms using the two 3/8" x 1" button head screws and the two nuts. Insert the extension hooks into the holes in the rolled bar.
- 3) Square up the arms and tighten all the screws with the allen wrench.
- 4) Place the grid on the brackets. The assembly is now complete.
- 5) Hang your pot hooks from the interior squares only. **Do not** hang them from the perimeter or the cut portions of the grid. Distribute your cookware evenly.

Installation

- 6) We recommend that you anchor your rack into the solid wood of ceiling joists or beams. Carefully measure the area where the rack is to be hung and install the ceiling screw hooks directly into the wood joists. If it is not convenient to hang your rack directly into wood joists you may use the included DRYWALL anchors in the toggle kit included with your rack. See Toggler® brand manufacturer recommendations for weight limits included in the instructions in the Toggle kit.



It is important that your rack is assembled correctly. If the unit is assembled or used incorrectly, it could become unstable and collapse, possibly causing injury.

Limited Warranty: This product is warranted to be free of material defects for a period of five years from the date of purchase. Customer's exclusive remedy shall be the repair or replacement of the defective product and shall be subject to the following conditions: (1) notice of any defect is received by Enclume within the warranty period and (2) customer returns the defective product to Enclume Design Products, 24 Colwell St., Port Hadlock, WA 98339, *postage prepaid* within 20 days following a return authorization number (which may be obtained by telephoning the number at the top of this instructions) being provided to the customer by Enclume. There are no other warranties, expressed or implied. **THERE ARE NO WARRANTIES OF MERCHANTABILITY OR FITNESS FOR A PARTICULAR PURPOSE. ENCLUME SPECIFICALLY DISCLAIMS ANY AND ALL INCIDENTAL OR CONSEQUENTIAL DAMAGES ARISING OUT OF THE PURCHASE OR USE OF ENCLUME'S PRODUCTS.**