




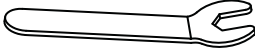
Examine all packaging material for small parts that may have come loose during shipment. Periodic checks are recommended to insure that all components are in proper position, tight and free from damage. Keep this assembly instruction for future reference. Adult assembly is required. The product of Hillsdale Furniture, LLC is designed for residential use only. Customer Service Phone Number: 502-562-0000

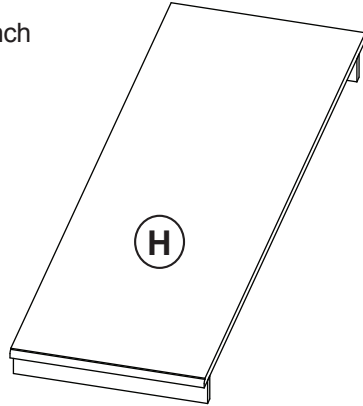
HARDWARE LIST

- A (4) Spring Washers
- B (4) Flat Washers
- C (4) Hex Nuts
- D (1) Open End Wrench

PARTS LIST

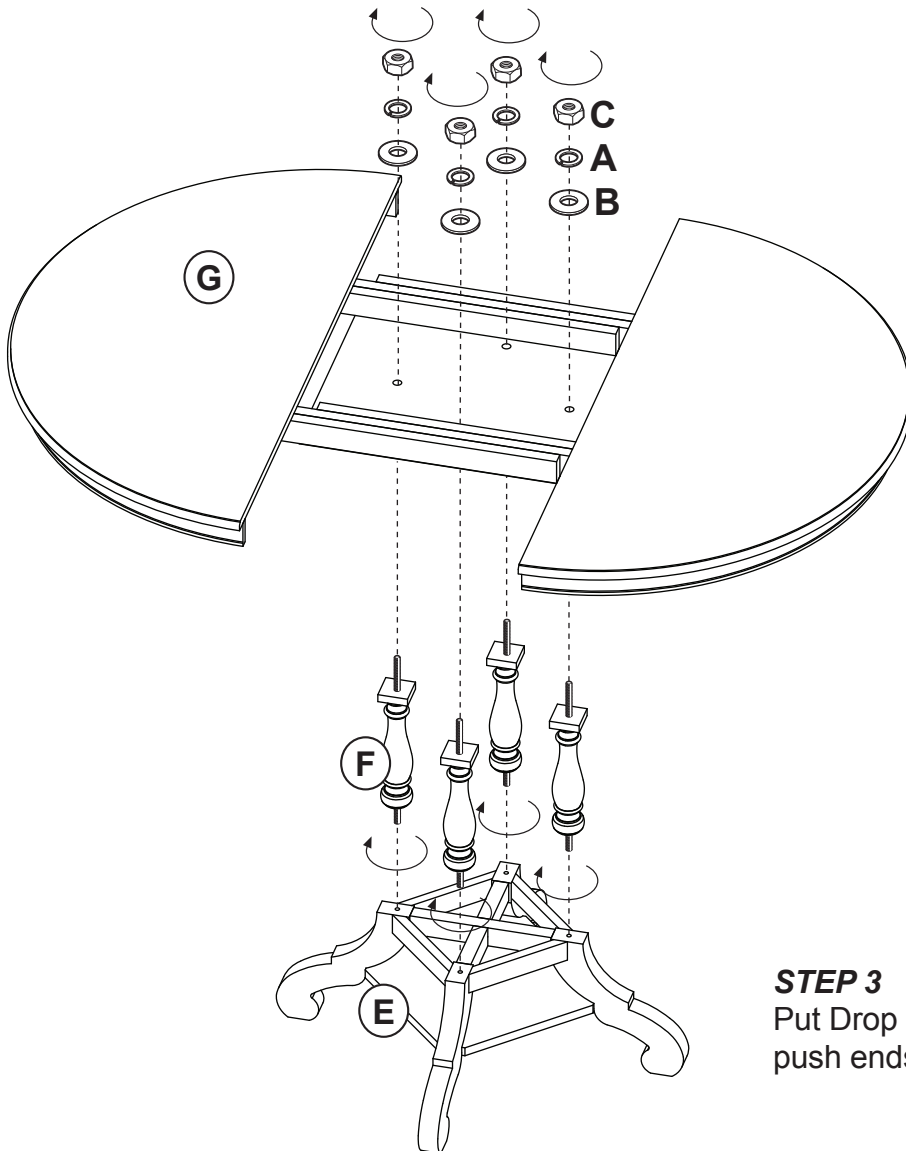
- E (1) Table Base
- F (4) Wood Posts
- G (1) Table Top
- H (1) Drop Leaf

PART	QTY	HARDWARE	PART	QTY	HARDWARE
A	4		B	4	
C	4		D	1	



STEP 1

Begin assembly by first attaching each Wood Post (F) to Table Base (E) by firmly screwing into place, Make sure each post is tight in place, but do not over tighten to prevent damage.



STEP 2

Slide open Table Top (G), or remove Drop Leaf (H) from sectional. Attach each Wood Post (F) to Table Top (G) by inserting each threaded end on post through pre-drilled holes, Once in place, hold tight using 1 Flat Washer (B) 1 Spring Washer (A) & 1 Hex Nut (C) per post. Tighten all nuts using the Open End Wrench (D) provided.

STEP 3

Put Drop Leaf (H) in place on Table Top (G) and push ends together to complete assembly.