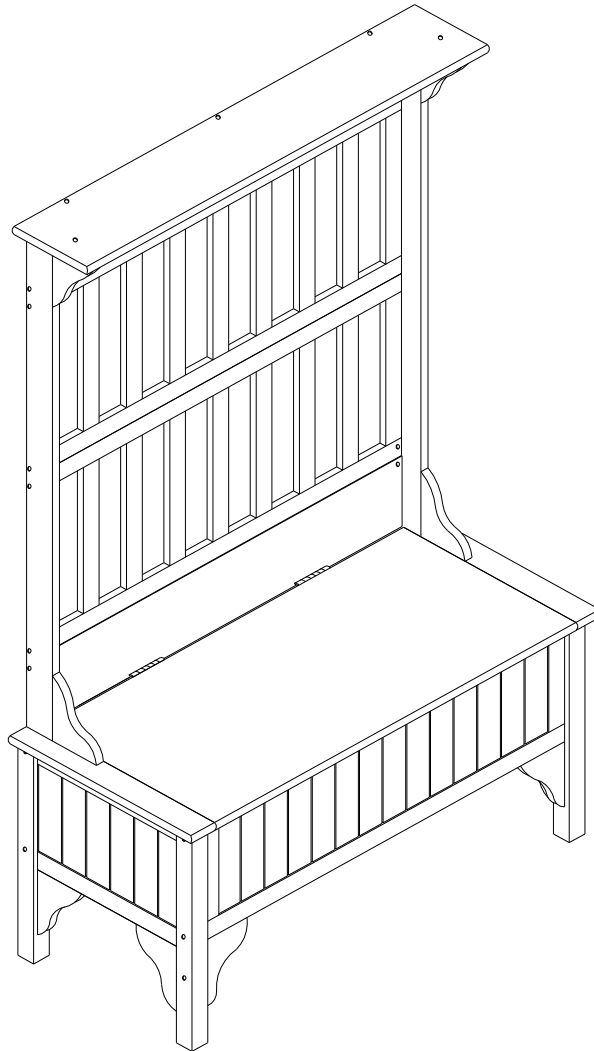




Product Instructions for:

JR-5648 Hall Tree



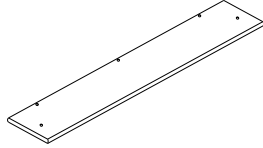
For assistance with assembly or questions contact:
Wayfair Customer Service, 877-WAYFAIR (877-929-3247) | www.wayfair.com

JR-5648 Hall Tree

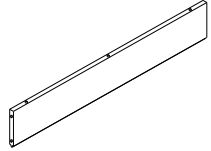
Before beginning assembly, separate all parts and carefully study the parts diagrams below. Review all parts and hardware before disposing of any packaging. You may receive extra hardware with your unit. Call Customer Service for missing hardware.

Parts List

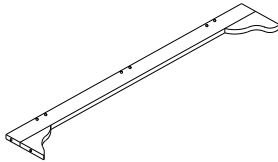
A: Top Panel (1)



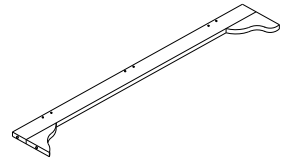
B: Coat Rack (1)



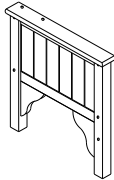
C: Left Frame (1)



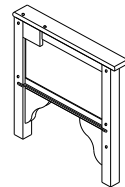
D: Right Frame (1)



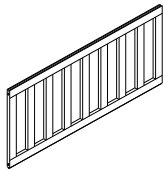
E: Left Storage Frame (1)



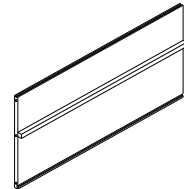
F: Right Storage Frame (1)



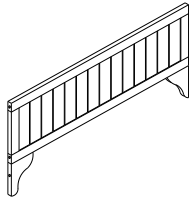
G: Middle Frame (2)



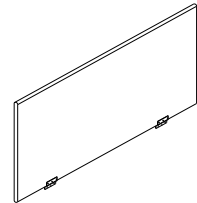
H: Storage Back Panel (1)



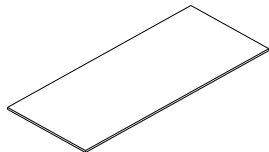
I: Storage Frame (1)



J: Storage Lid (1)



K: Base Panel (1)



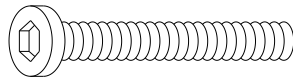
1: Hook (4)



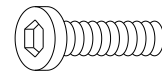
2: Allen Wrench Dia. 1/4" (1)



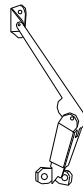
3: Bolt Dia. 1/4" x 1-3/4" (8)



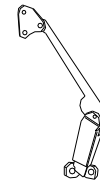
4: Bolt Dia. 1/4" x 1" (21)



5: Left Hinge (1)



6: Right Hinge (1)



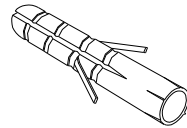
7: Dowel Dia. 1/3" x 1-1/5" (16)



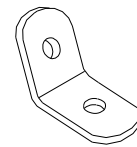
8: Flat Head Screw Dia. 1/2" x 1-1/5" (20)



9: Wall Anchor (2)



10: Bracket (4)



11: Plastic Strap (2)



12: Screw Dia. 1/3" x 1-1/4" (2)



13: Screw Dia. 1/3" x 5/8" (2)



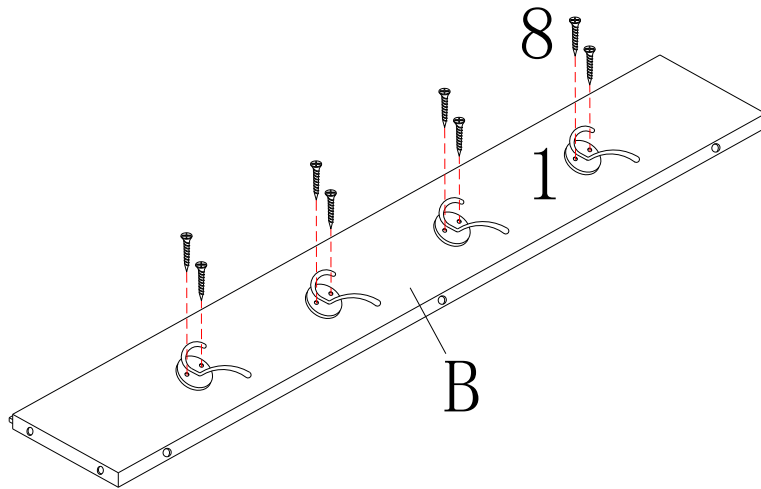
14: Plastic Cover (27)



JR-5648 Hall Tree

Assembly Instructions

Step 1



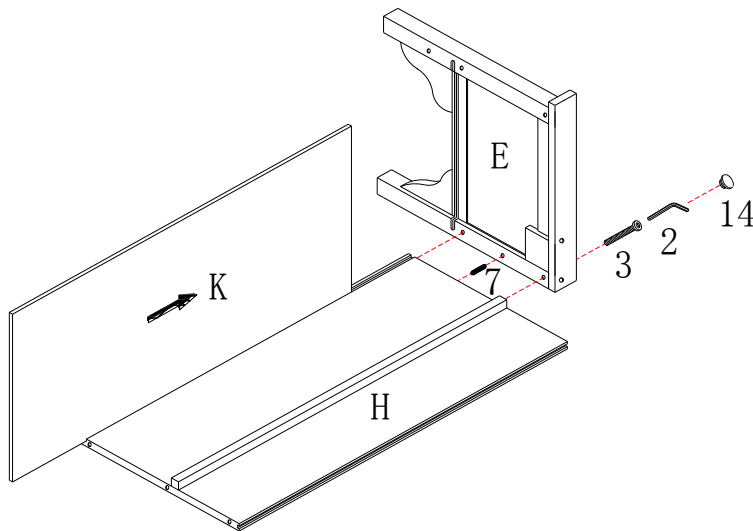
Unpack and lay parts on a clean, padded surface like a carpet or blanket. Check that you have all parts indicated on the front page.

Attach Hook (1) to Coat Rack (B) using Screws (8) as shown in Figure 1.

Tighten Screws (8) with Phillips screwdriver (not included).

Figure 1

Step 2



Connect Storage Back Panel (H) to Left Storage Frame (E) using Bolts (3) and Dowels (7) as shown in Figure 2.

Tighten Bolts (3) with Allen Wrench (2).

Cover Bolt (3) holes with Plastic Covers (14).

Insert Base Panel (K) into the grooves of Storage Back Panel (H) and Left Storage Frame (E).

WARNING: Do not over-tighten Bolts (3).

Figure 2

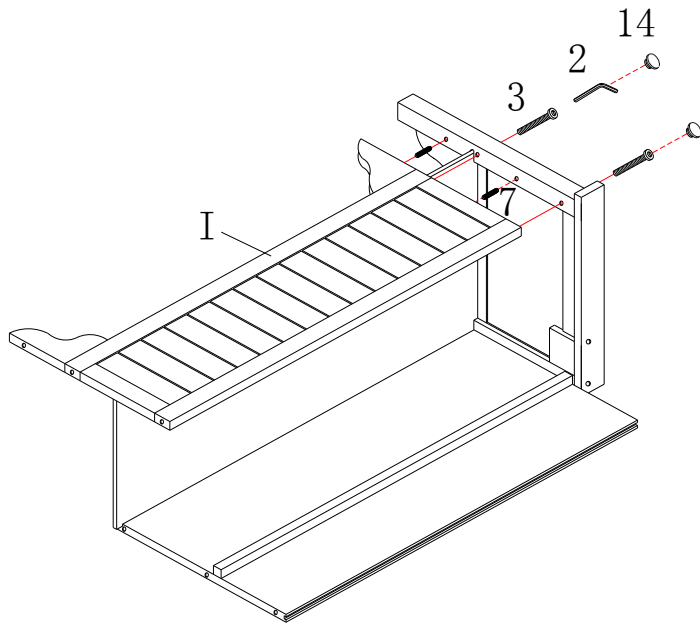


Figure 3

Step 3

Connect Storage Frame (I) to unit from Figure 2 using Bolts (3) and Dowels (7) as shown in Figure 3.

Tighten Bolts (3) with Allen Wrench (2).

Cover Bolt (3) holes with Plastic Covers (14).

WARNING: Do not over-tighten Bolts (3).

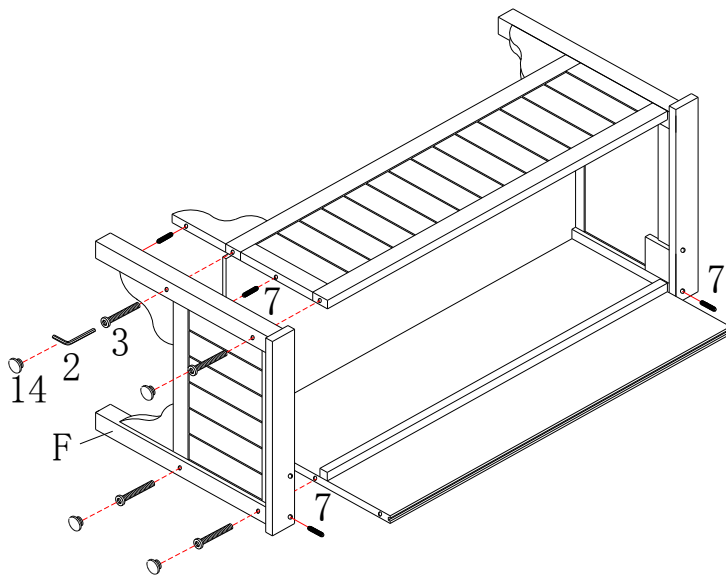


Figure 4

Step 4

Connect Right Storage Frame (F) to unit from Figure 3 using Bolts (3) and Dowel (7) as shown in Figure 4.

Tighten Bolts (3) with Allen Wrench (2).

Cover Bolt (3) holes with Plastic Covers (14).

Insert Dowels (7) into the predrilled holes on top of Left Storage Frame (E) and Right Storage Frame (F).

WARNING: Do not over-tighten Bolts (3).

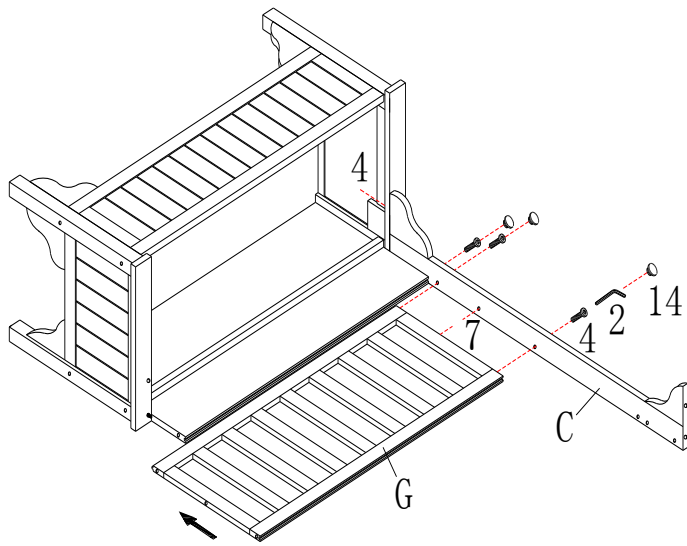


Figure 5

Step 5

Mount Left Frame (C) on Dowels (7) attached to unit from Figure 4.

Use Bolts (4) to secure Left Frame (C) from underside of Left Storage Frame (E) and from side of Storage Back Panel (H) as shown in Figure 5.

Cover Bolt (4) holes with Plastic Covers (14).

Insert Middle Frame (G) into grooves of Storage Back Panel (H) and attach to Left Frame (C) using Bolts (4) and a Dowel (7) as shown in Figure 5.

Tighten Bolts (4) with Allen Wrench (2).

WARNING: Do not over-tighten Bolts (4).

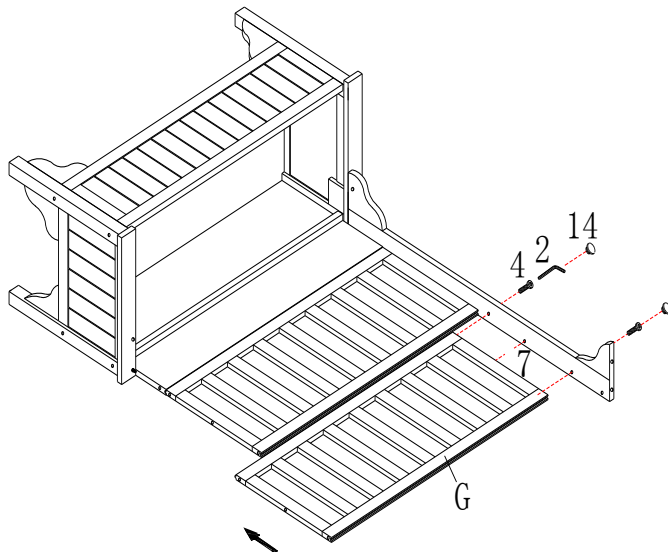


Figure 6

Step 6

Insert remaining Middle Frame (G) into grooves of Middle Frame (G) on unit from Figure 5. Connect remaining Middle Frame (G) to Left Frame (C) using Bolts (4) and a Dowel (7) as shown in Figure 6.

Tighten Bolts (4) with Allen Wrench (2).

WARNING: Do not over-tighten Bolts (4).

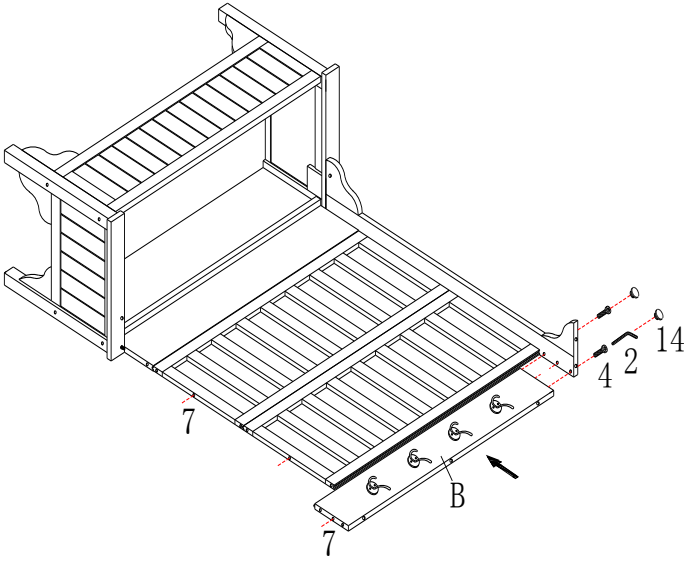


Figure 7

Step 7

Insert Coat Rack (B) into grooves of Middle Frame (G) on unit from Figure 6. Connect Coat Rack (B) to Left Frame (C) using Bolts (4) and a Dowel (7) as shown in Figure 7.

Tighten Bolts (4) with Allen Wrench (2).

Cover Bolt (4) holes with Plastic Covers (14).

Insert Dowels (7) into predrilled holes on unit from Figure 6.

WARNING: Do not over-tighten Bolts (4).

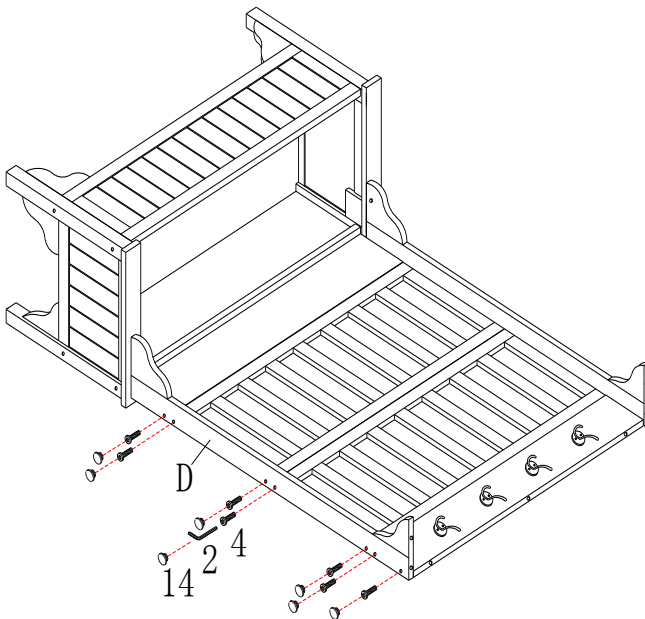


Figure 8

Step 8

Connect Right Frame (D) to unit from Figure 7 using Bolts (4) as shown in Figure 8.

Tighten Bolts (4) with Allen Wrench (2).

Cover Bolt (4) holes with Plastic Covers (14).

WARNING: Do not over-tighten Bolts (4).

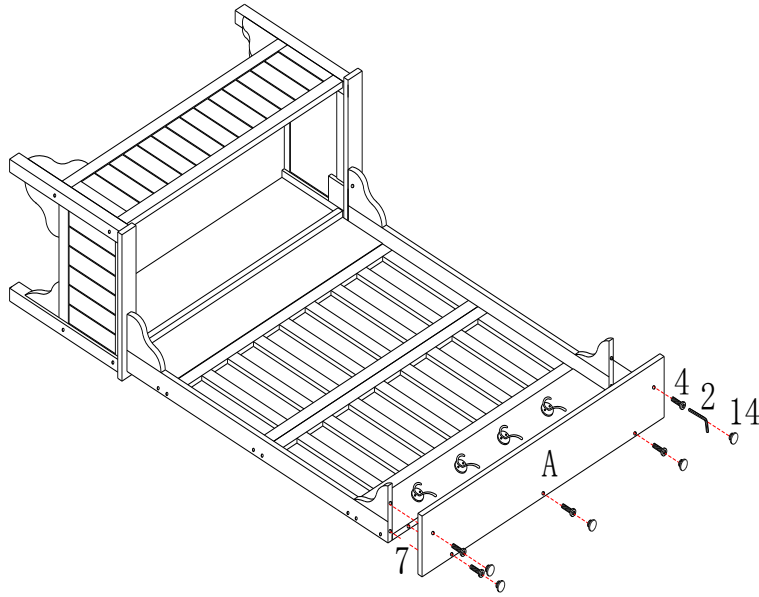


Figure 9

Step 9

Attach Top Panel (A) to unit from Figure 8 using Bolts (4) and Dowels (7).

Tighten Bolts (4) with Allen Wrench (2).

Cover Bolt (4) holes with Plastic Covers (14).

WARNING: Do not over-tighten Bolts (4).

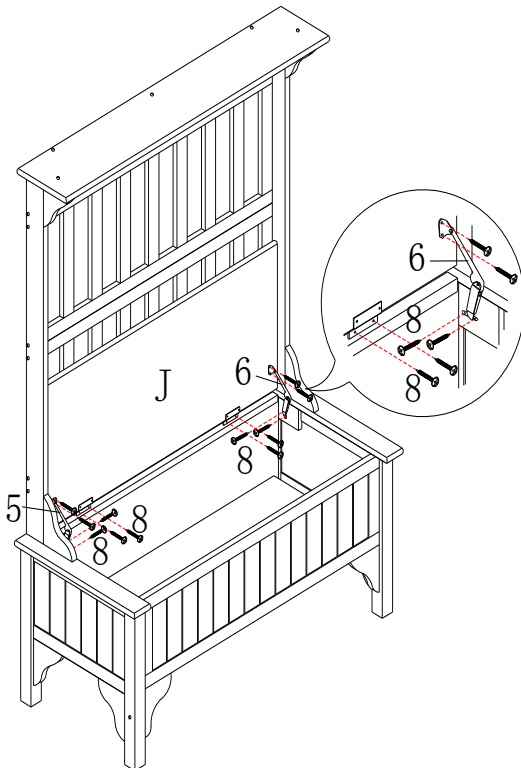


Figure 10

Step 10

Use Screws (8) to connect Storage Lid (J) to unit from Figure 9 as shown in Figure 10.

Tighten Screws (8) with Phillips screwdriver (not included).

Align Hinges (5 & 6) with Storage Lid (J) and unit from Figure 9. Attach Hinges (5 & 6) using screws (8) as shown in Figure 10.

Tighten Screws (8) with Phillips screwdriver (not included).

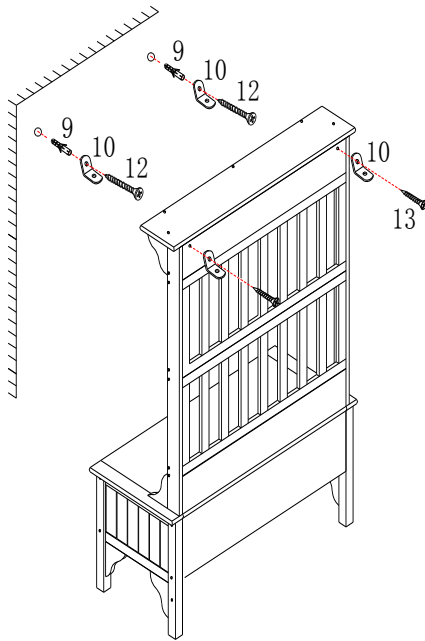


Figure 11

Step 11

Attach two Brackets (10) to the back of Top panel (A) using Screws (13) as shown in Figure 11.

Mark two desired locations on the wall and drill two holes. Insert Wall Anchors (9) into holes in wall as shown in Figure 11. Use a hammer to insert Wall Anchors (9) until they are flush with wall.

Attach remaining two Brackets (10) to Wall Anchors (9) in wall using Screws (12).

Tighten Screws (12 & 13) using Phillips screwdriver (not included).

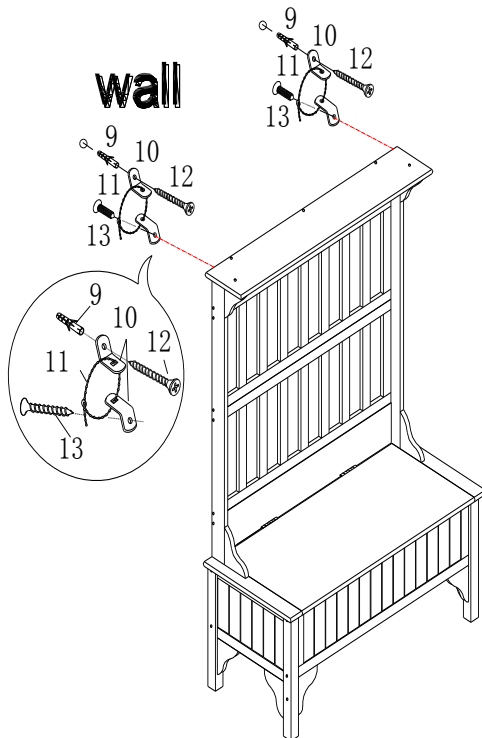


Figure 12

Step 12

Move assembled Hall Tree close to wall Brackets (10) and tie corresponding Brackets (10) together with Plastic Straps (11) as shown in Figure 12.

WARNING: Anti-tipping hardware **must be used** for this product to avoid tipping and injury.

Now your Hall Tree is ready to use!