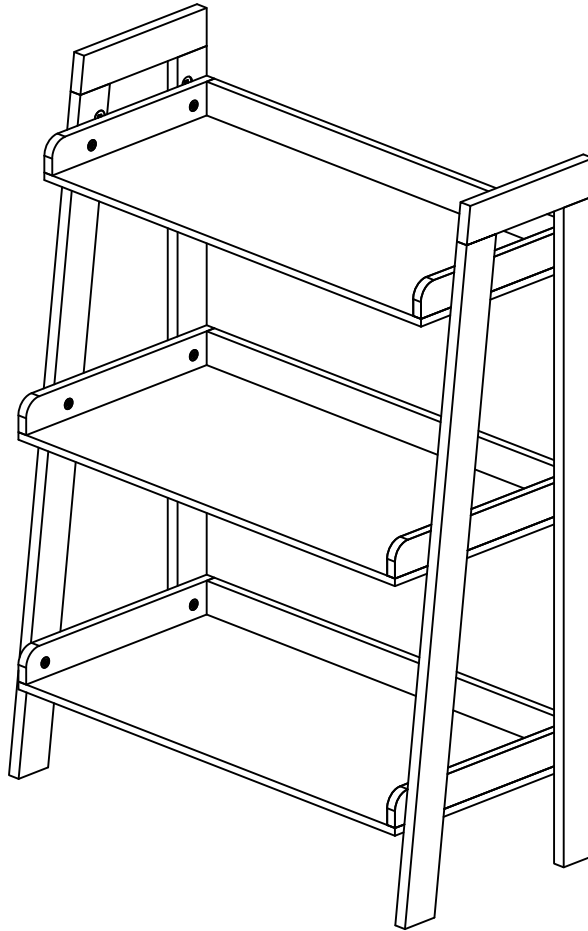




ASSEMBLY INSTRUCTIONS



RiverRidge® Kids 3 TIER LADDER SHELF

ITEM #:02-068 WHITE

ITEM #:02-069 GRAY

ADULT ASSEMBLY REQUIRED

This product requires assembly by an adult because of the small parts. Care should be taken in unpacking and assembling this item to keep the small parts away from children.

WARNING

**Young children can be seriously injured or killed, if furniture tips over.
Don't use this item for a TV stand.
Use angle-braces or anchors to secure furniture to the wall.**

Send requests for missing or damaged parts replacements by email to :

customer.service@ssi-rr.com or call toll free 1-(844)-223-5201 or order parts on line at www.riverridgehome.com

THIS SHELF UNIT WILL HOLD UP TO 20 POUNDS PER SHELF OR A TOTAL OF 60 POUNDS. DO NOT LOAD EACH SHELF WITH MORE THAN 20 POUNDS. IF LOADED WITH MORE THAN 20 POUNDS PER SHELF AS THIS MAY CAUSE DAMAGE TO THE SHELF AND MAY CAUSE SERIOUS INJURY OR DEATH.


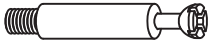

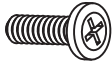






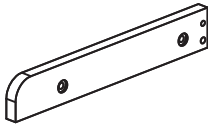
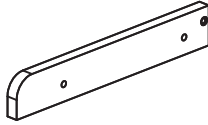
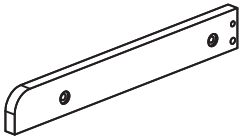
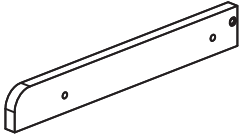
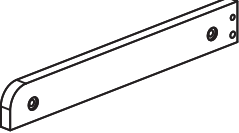


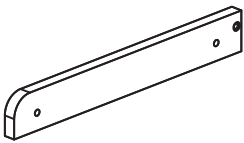
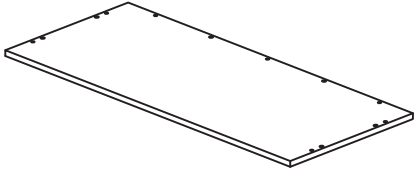
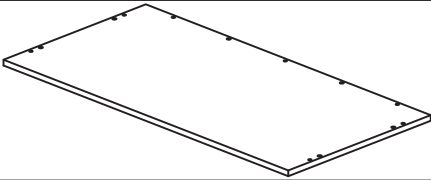
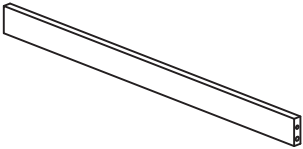
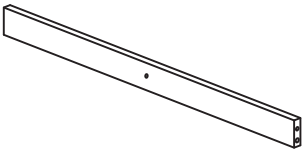
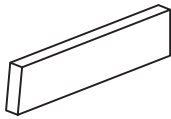
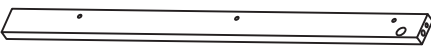
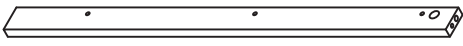
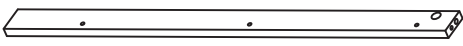
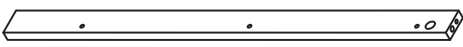
WARNING

SERIOUS OR FATAL INJURIES CAN OCCUR FROM FURNITURE TIP-OVER. TO HELP PREVENT TIP-OVER:

- **Always use tip over restraints and/or wall anchors to secure furniture to the wall**
- **Place heaviest items in the lowest drawers/bins or shelves.**
- **Do not set TV's or other heavy objects on the top of this product.**
- **Never allow children to climb or hang on to the drawers/bins, doors or shelves of furniture**
- **Never open more than one drawer at a time or defeat or remove any drawer interlock system**

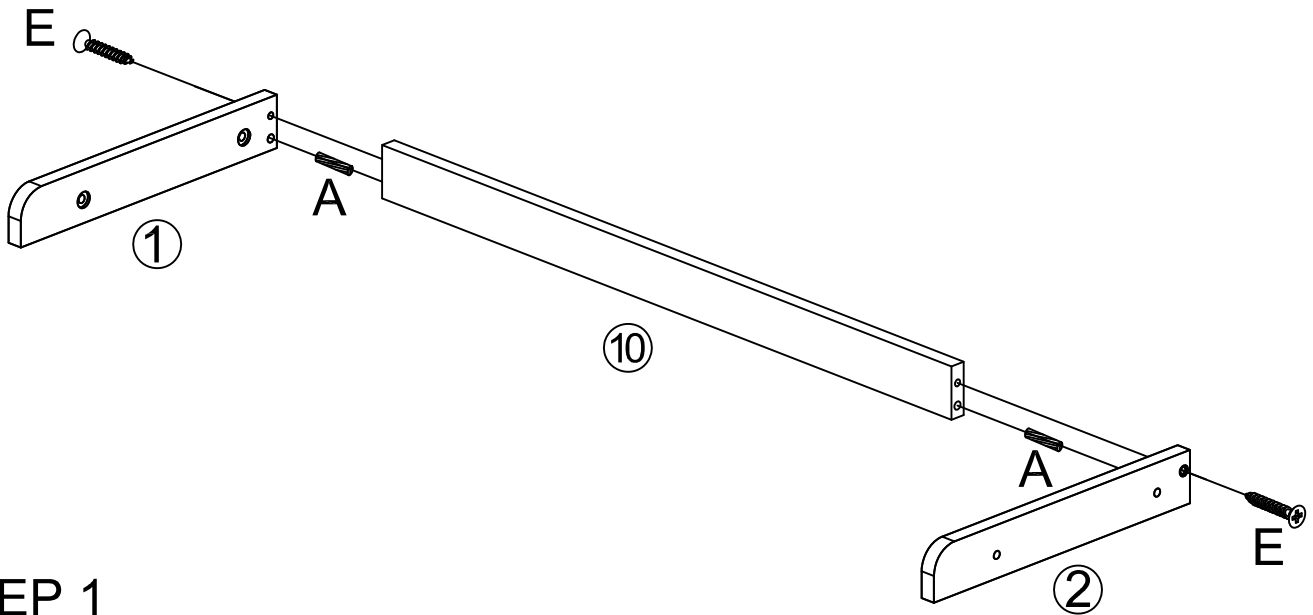
PARTS LIST

NO	PARTS	QTY	DESCRIPTION
A		28PCS	Wood Dowel
B		4PCS	Cam Bolt
C		4PCS	Cam Lock
D		12PCS	Machine Screw (Φ6 x 20mm)
E		27PCS	Wood Screw (Φ3.5 x 20mm)
F		1PC	Wall Screw (Φ3.5 x 30mm)
G		1PC	Wood Screw (Φ3.5 x 8mm)
H		1PC	Plastic Anchor
J		2PCS	Bracket
K		1PC	Plastic lock strap
1		1PC	top shelf left rail board
2		1PC	top shelf right rail board
3		1PC	middle shelf left rail board
4		1PC	middle shelf right rail board
5		1PC	bottom shelf left rail board

NO	PARTS	QTY	DESCRIPTION
6		1PC	bottom shelf right rail board
7		1PC	top shelf
8		2PCS	middle and bottom shelf
9		2PCS	Rear rail board
10		1PC	Top rear rail board
11		2PCS	Top bar of left and right side frame
12		1PC	Left side front leg
13		1PC	Left side rear leg
14		1PC	Right side front leg
15		1PC	Right side rear leg

**TOOLS NEEDED FOR ASSEMBLY : FLAT & PHILIPS SCREWDRIVER (NOT INCLUDED)
THE USE OF POWER SCREWDRIVER IS NOT RECOMMENED**

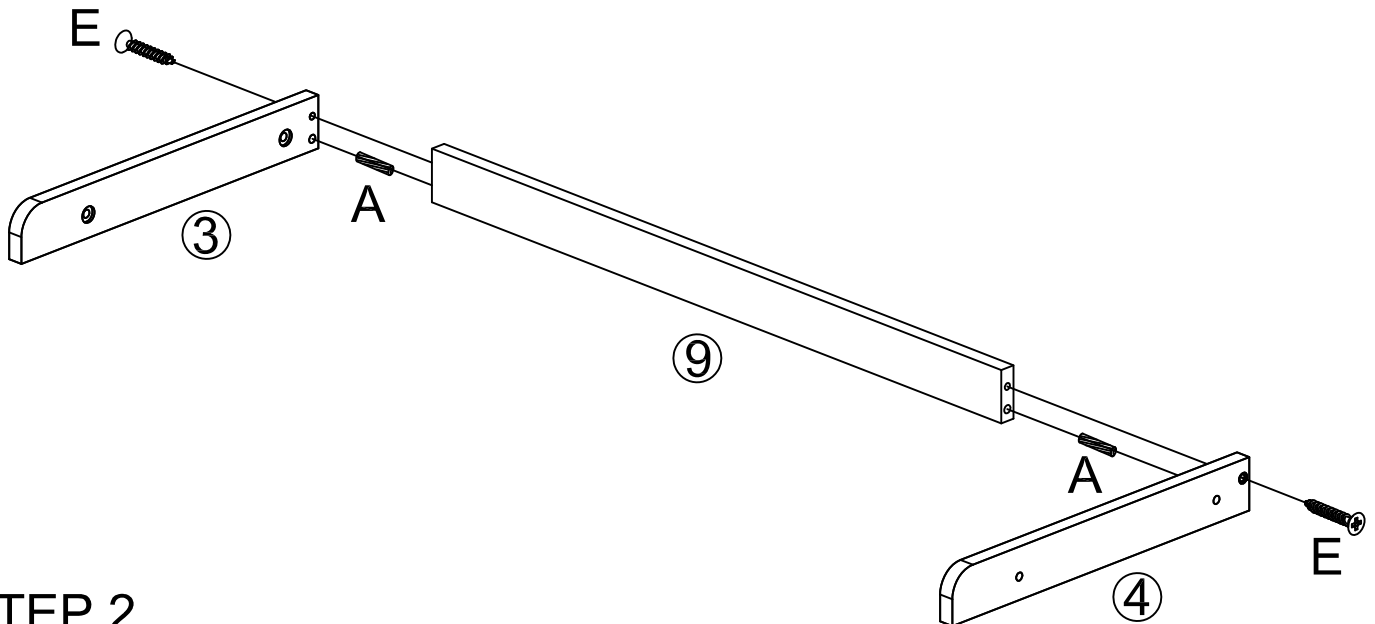
STEP 1



STEP 1

1. Insert 1pc Wood dowel(A) into the wood dowel hole on the end of Top rear rail board(10)
2. Attach the top shelf left rail board(1) to Top rear rail board(10) by inserting the Wood dowel(A) into the hole on the top shelf left rail board(1). Make sure the hole on the Top rear rail board (10) is facing towards the back side of the shelf.
3. Insert 1pc Wood screw(E) through the hole on the top shelf left rail board(1) and tighten it to the Top rear rail board(10) by using a Philips Screwdriver.
4. Repeat above steps to assemble the top shelf right rail board(2) to the Top rear rail board (10).

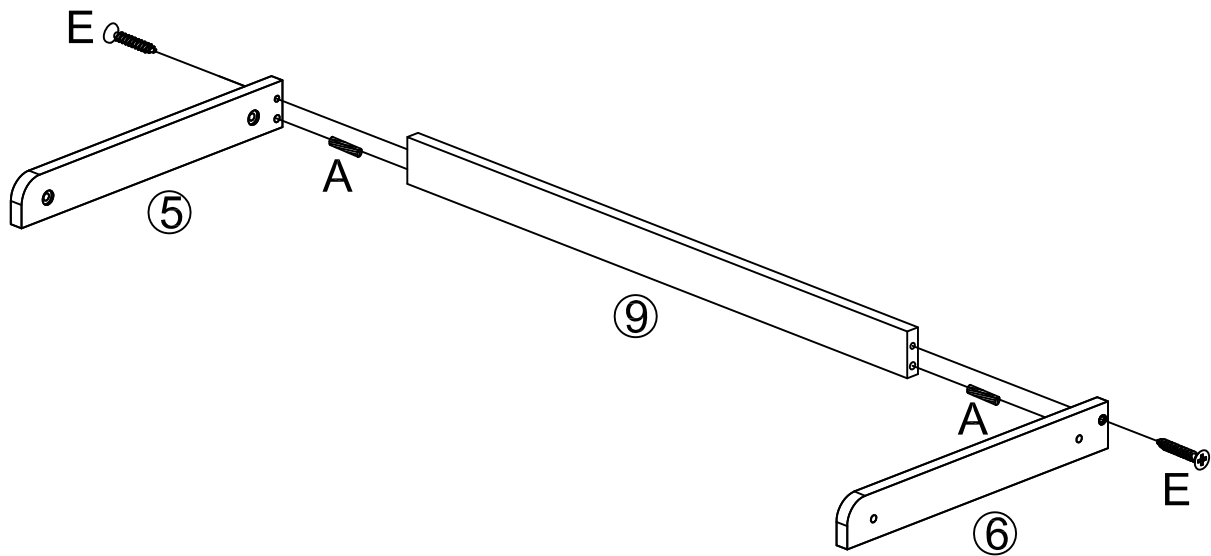
STEP 2



STEP 2

1. Insert 1pc Wood dowel(A) into the wood dowel hole on the end of Rear rail board(9)
2. Attach the middle shelf left rail board(3) to Rear rail board(9) by inserting the Wood dowel(A) into the hole on the middle shelf left rail board(3).
3. Insert 1pc Wood screw(E) through the hole on the middle shelf left rail board(3) and tighten it to the Rear rail board(9) by using a Philips Screwdriver.
4. Repeat above steps to assemble the middle shelf right rail board(4) to the Rear rail board (9).

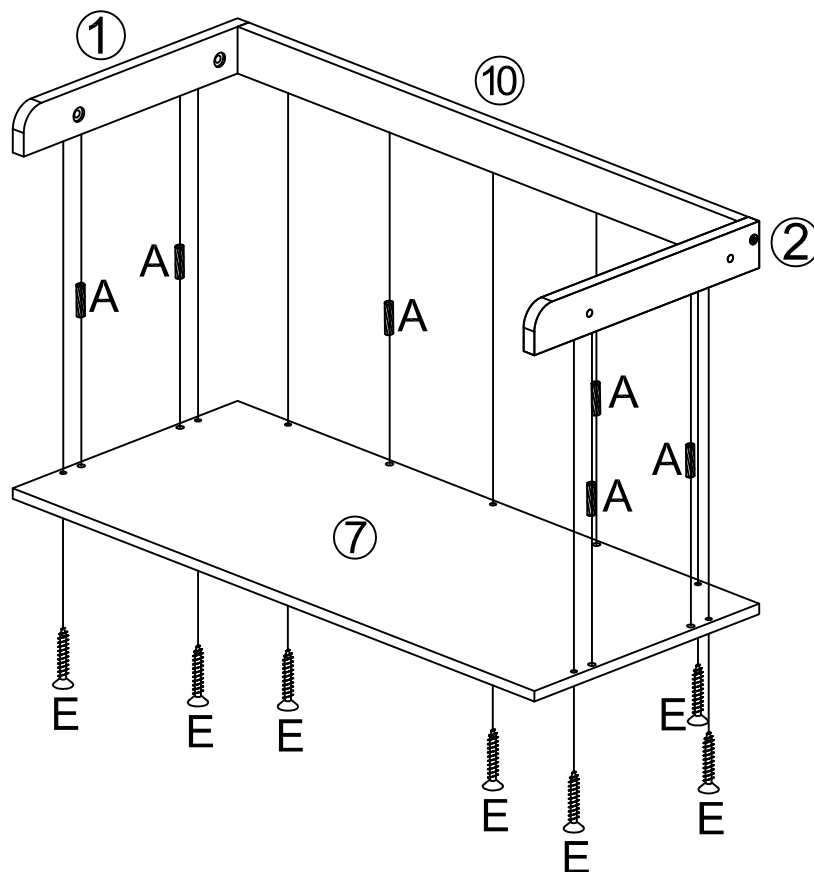
STEP 3



STEP 3

1. Insert 1pc Wood dowel(A) into the wood dowel hole on the end of Rear rail board(9)
2. Attached the bottom shelf left rail board(5) to Rear rail board(9) by inserting the Wood dowel(A) into the hole on the bottom shelf left rail board(5).
3. Insert 1pc Wood screw(E) through the hole on the bottom shelf left rail board(5) and tighten it to the Rear rail board(9) by using a Philips Screwdriver.
4. Repeat above steps to assemble the bottom shelf right rail board(6) to the Rear rail board (9).

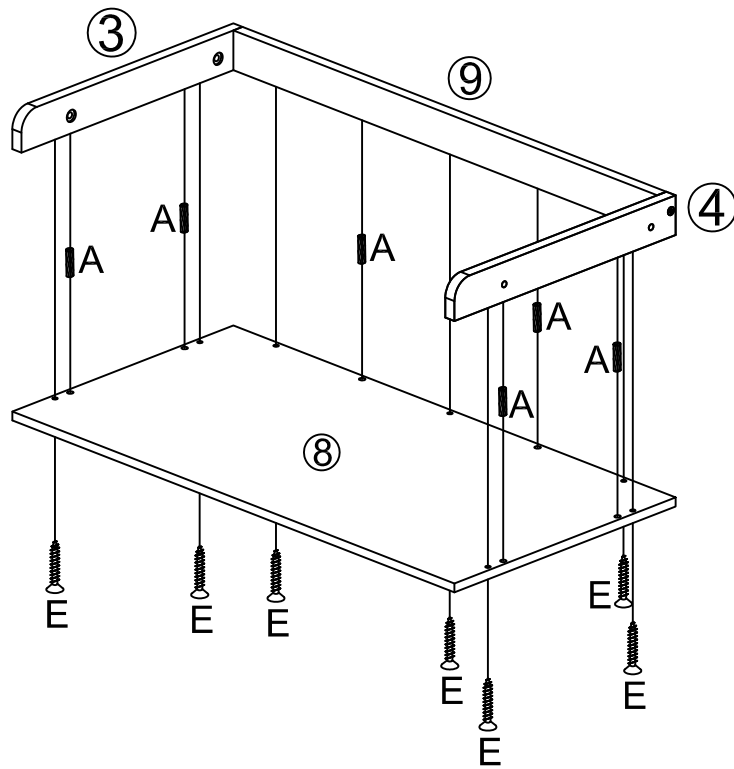
STEP 4



STEP 4

1. Insert 6pc Wood dowels(A) into the wood dowel holes on the top shelf(7).
2. Attach the top shelf(7) to the Top Shelf rail board assembly of parts(1)(2)(10) by inserting the Wood dowels(A) into the wood dowel holes on the Top shelf Left rail board(1), Top Shelf Right rail board(2) and Top rear rail board (10) .
3. Insert 7pc Wood Screws(E) through the holes on the top shelf(7) then tighten to Top Shelf Left rail board(1), top Shelf Right rail board(2) and Top rear rail board(10) by using a Philips screwdriver.

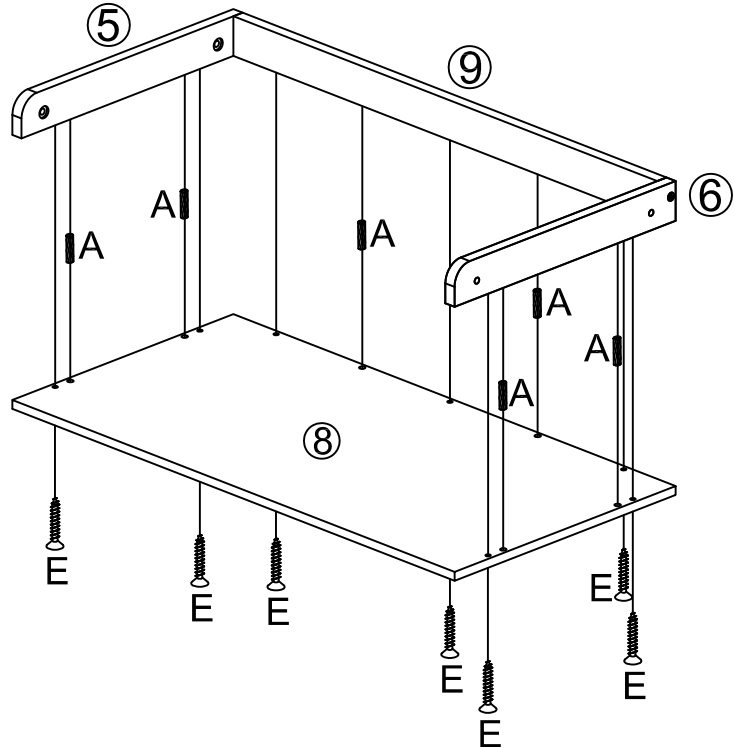
STEP 5



STEP 5

1. Insert 6pc Wood dowels(A) into the wood dowel holes on the middle shelf(8).
2. Attach the middle shelf(8) to the Middle Shelf rail board assembly by inserting the Wood dowels(A) into the wood dowel holes on the Middle Shelf Left rail board(3), Middle Shelf Right rail board(4) and Rear rail board(9).
3. Insert 7pc Wood Screws(E) through the holes on the middle shelf(8) then tighten to Middle Shelf Left rail board(3), Middle Shelf Right rail board(4) and Rear rail board(9) by using a Philips screwdriver.

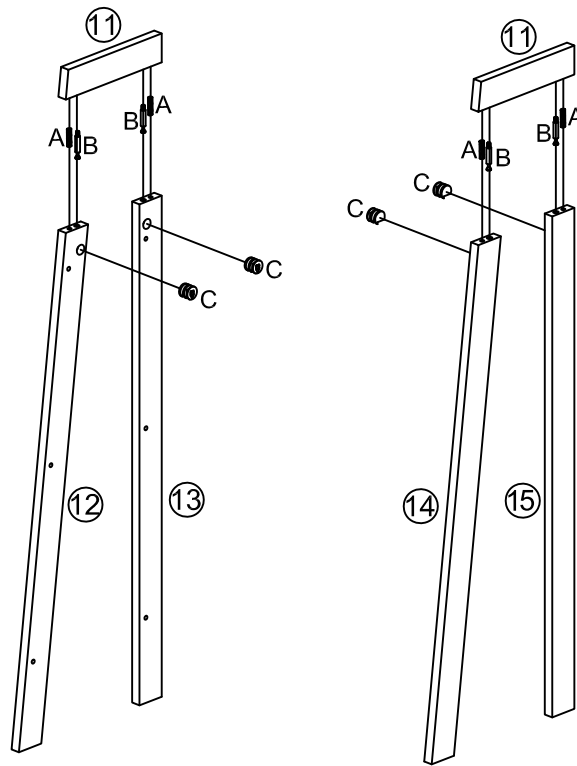
STEP 6



STEP 6

1. Insert 6pc Wood dowels(A) into the wood dowel holes on the bottom shelf(8).
2. Attach the bottom shelf(8) to the Bottom Shelf rail board assembly by inserting the Wood dowels(A) into the wood dowel holes on the Bottom Shelf Left rail board(5), Bottom Shelf Right rail board(6) and Rear rail board(9).
3. Insert 7pc Wood Screws(E) through the holes on the bottom shelf(8) then tighten to Bottom Shelf Left rail board(5), Bottom Shelf right rail board(6) and Rear rail board(9) by using a Philips screwdriver.

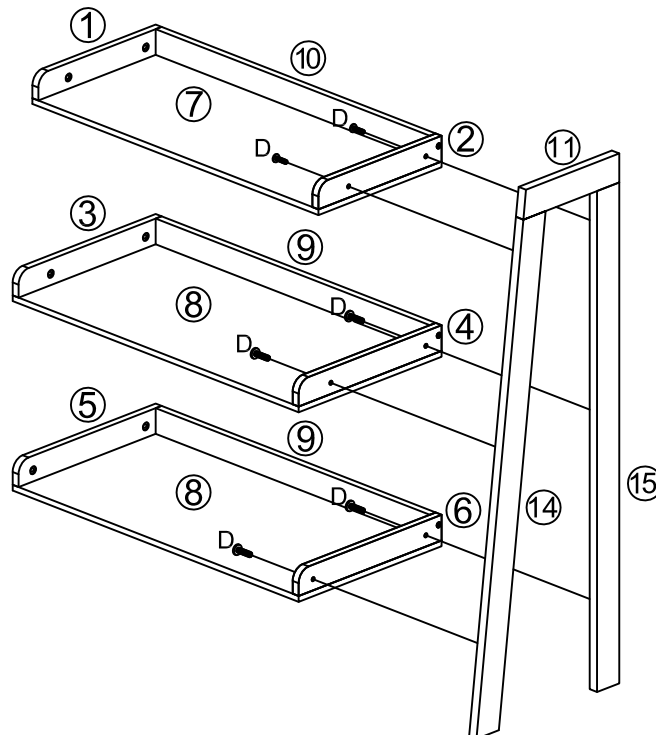
STEP 7



STEP 7

1. Insert 2pc Wood dowels(A) into the wood dowel holes on the Top bar(11).
2. Screw 2pc Cam bolts(B) into the pre-threaded holes on the Top bar(11).
3. Attached the top bar(11) to the Left side front leg(12) and Left side rear leg(13) by insert the Wood dowels(A) into the wood dowel holes and insert 2pc Cam bolts(B) into the cam lock holes on the Left side front leg(12) and Left side rear leg(13).
4. Insert 2pc Cam locks(C) into the cam lock holes on the Left side front leg(12) and Left side rear leg(13), then rotate clockwise to secure the cam bolts in place.
5. Repeat above steps to assemble the other Top bar(11) to Right side front leg(14) and Right side rear leg(15).

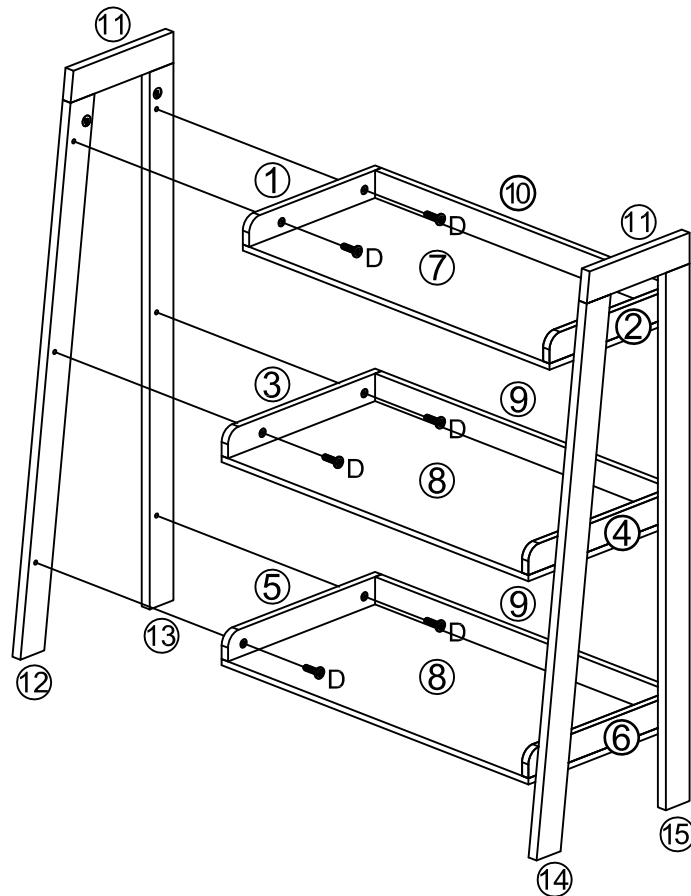
STEP 8



STEP 8

1. Attach the Pre-assembled top shelf(7) and rail boards to Pre-assembled Right side frame, insert 6pc Machine screws(D) through the holes on the Right rail board(2) and tighten to the Pre-assembled Right side frame.
2. Repeat above step to assemble the middle and bottom shelf(8) to Pre-assembled Right side frame.

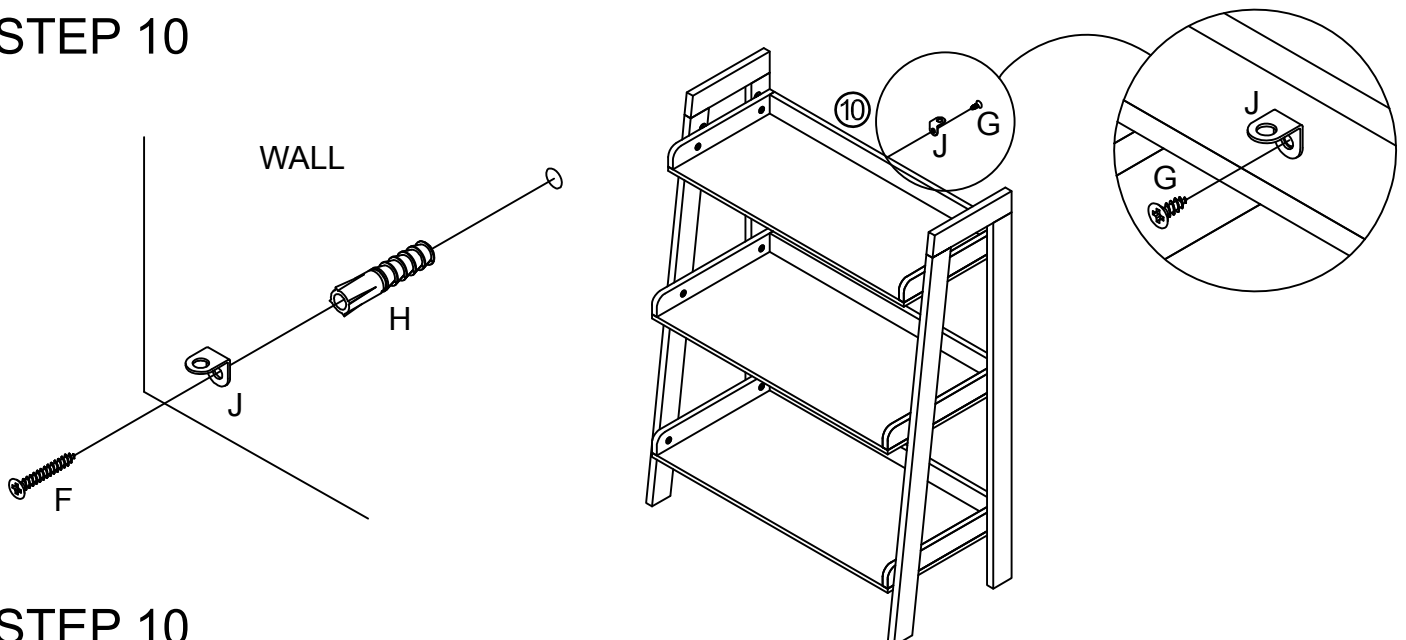
STEP 9



STEP 9

1. Attach the Pre-assembled top shelf (7) and rail boards to Pre-assembled Left side frame, insert 6pc Machine screws(D) through the holes on the Left rail board(1) and tighten to the Pre-assembled Left side frame.
2. Repeat above step to assemble Middle and bottom shelf(8) to Pre-assembled Left side frame.

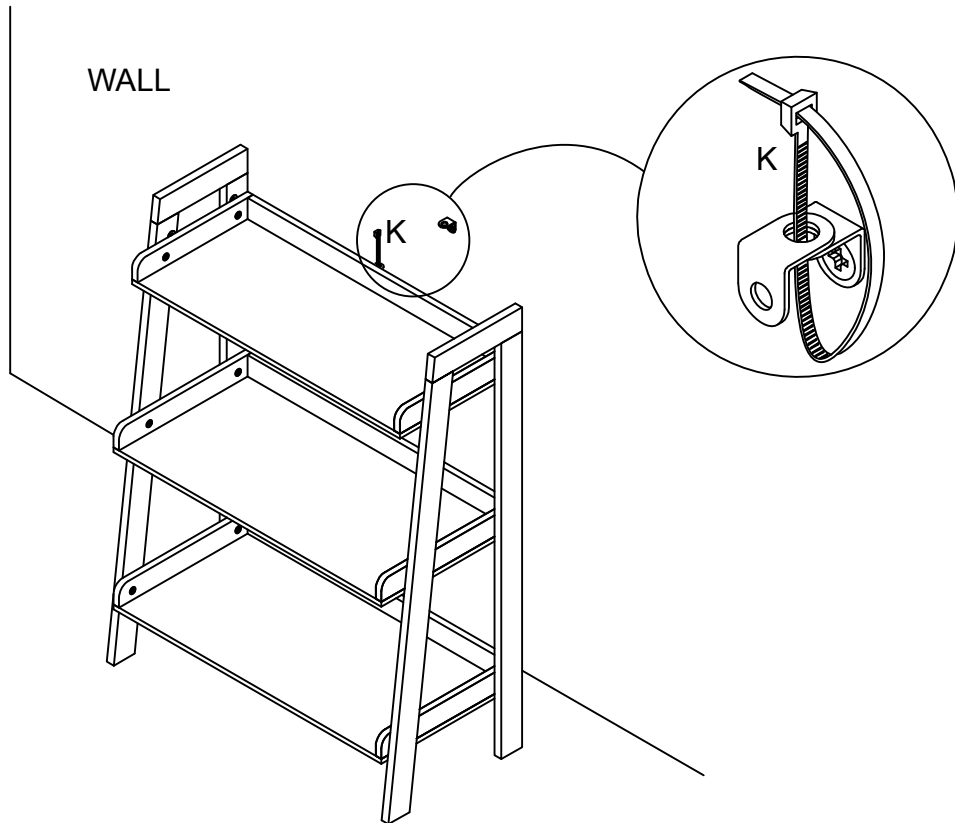
STEP 10



STEP 10

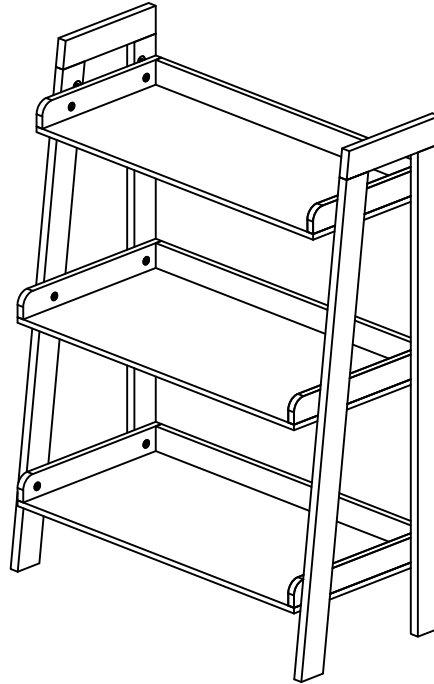
1. Attach one bracket(J) to the back of the ladder shelf by inserting 1pc wood screw(G) through the hole on the bracket(J) then tighten into the hole on the back side of Top rear rail board(10).
2. According to the height of bracket(J) that was assembled to the ladder shelf, drill one hole on the wall.
3. Insert the Plastic anchor(H) into the hole on the wall.
4. Attach one bracket(J) to Plastic anchor(H) on the wall by inserting 1pc wall screw(F) through the hole on the bracket(J) and tighten into the Plastic anchor(H).

STEP 11



STEP 11

1. Place the ladder shelf against the wall and close to bracket(J).
2. Insert the Plastic lock strap(K) through the hole on the bracket(J) which is assembled on the ladder shelf, then through the hole on the bracket(J) on the wall, then fasten the plastic lock strap (K) to fix the 2 brackets(J) firmly.



ENJOY YOUR NEW RiverRidge® Kids 3 TIER KIDS LADDER SHELF NOW !

Attention Adults: The shelf should be checked periodically for damage or loose screws/parts. Take appropriate action necessary to correct the hazard such as tightening of screws and taking any damaged parts away from the children.

Thank you for purchasing this RiverRidge® Kids Products item. We hope you enjoy it, and consider purchasing other RiverRidge® items.

Send requests for missing or damaged parts replacements by email to :

customer.service@ssi-rr.com or call toll free 1-(844)-223-5201 or order parts on line at www.riverridgehome.com

RiverRidge® is a registered trademark of Sourcing Solutions, Inc., Hudson, WI 54016.

