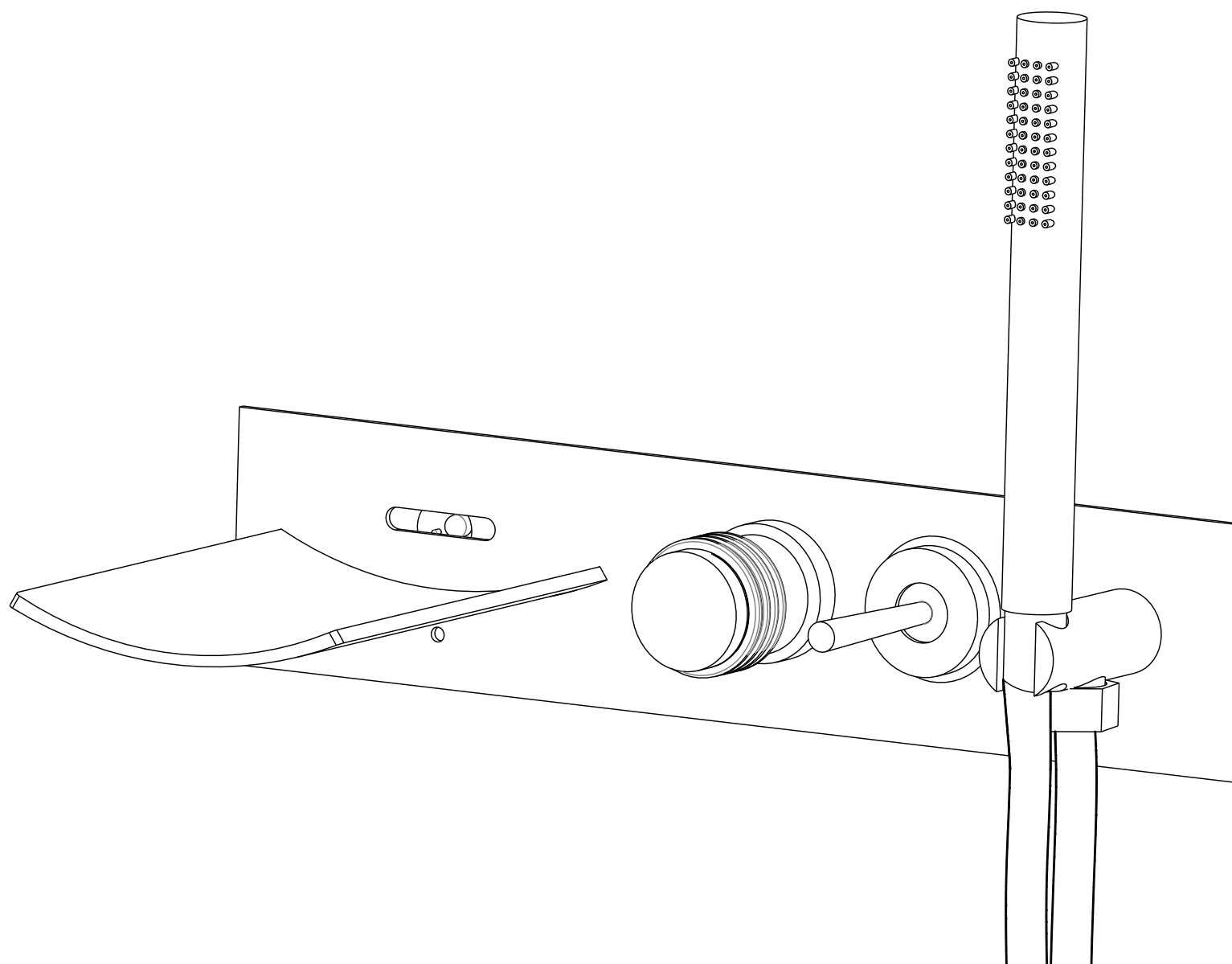


DATASHEET AND MEASUREMENT

2015.08.28

SAMPLE COPY

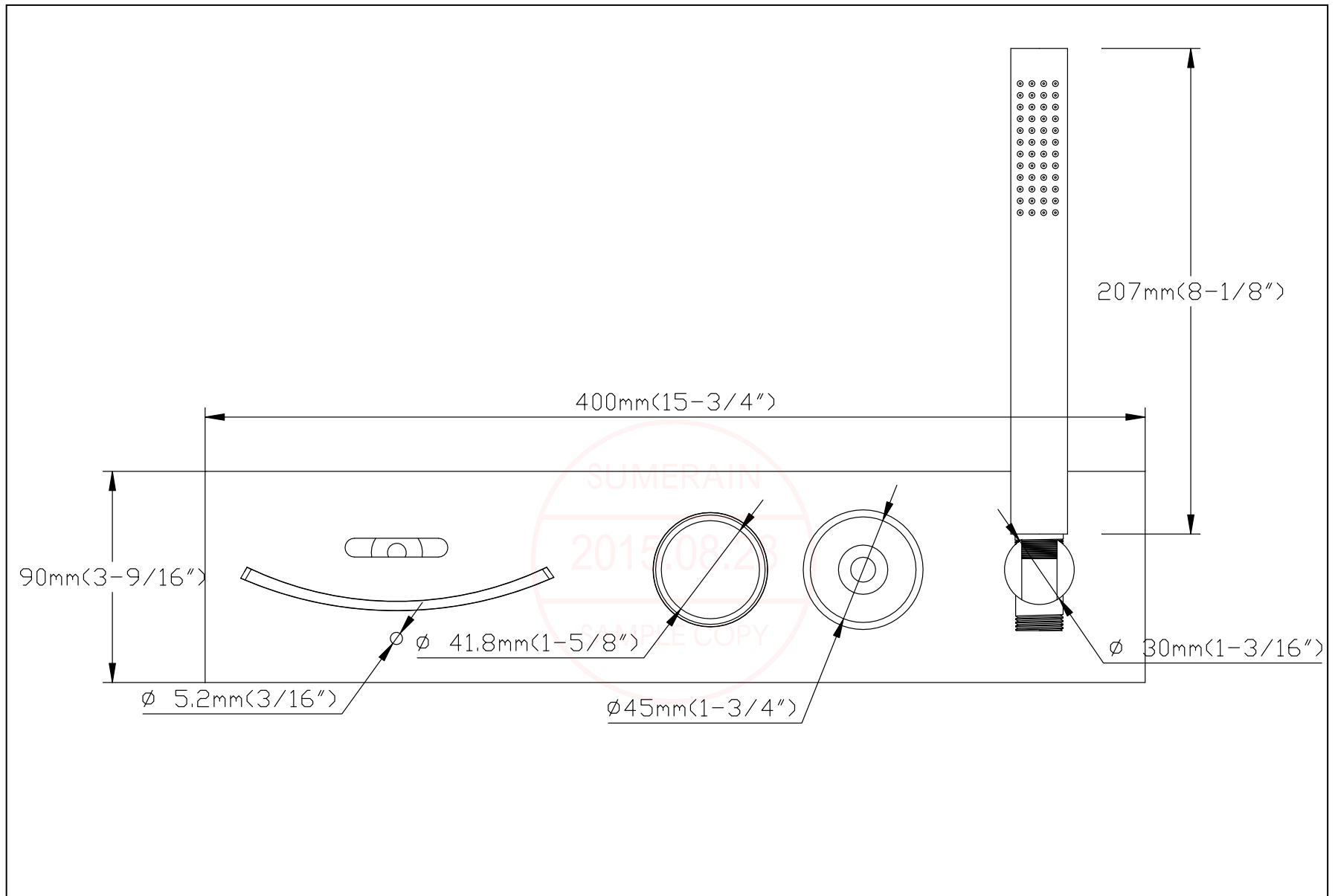


**LED WALLMOUNT WATERFALL BATHTUB FAUCET**

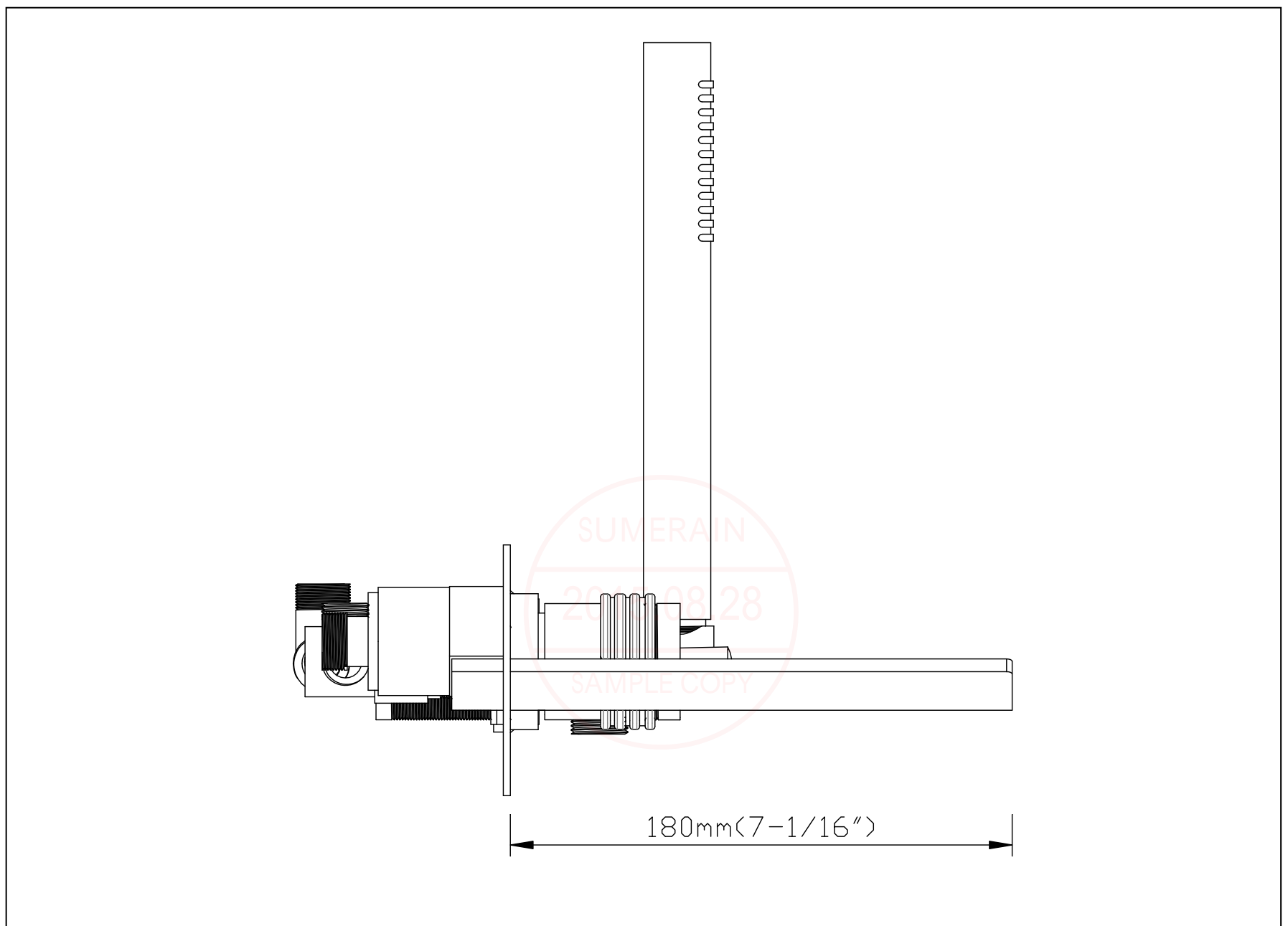
## FUNCTIONS AND SPECIFICATION

<b>Function</b>	Wall mount Tub Waterfall Faucet with handshower	
<b>Feature</b>	LED, Waterfall, Wall mount	
<b>Style</b>	Contemporary	
<b>Finish</b>	Chrome	
<b>Installation Holes</b>	One Hole	
<b>Number of Handles</b>	Single Handle	
<b>Faucet Total Height</b>	Adjustable	
<b>Spout Spread</b>	180mm [7-1/16 Inch]	
<b>Spout Width</b>	130mm [5-1/8 Inch]	
<b>Spout Height</b>	Adjustable	
<b>Valve Type</b>	Ceramic Valve	
<b>Faucet Body Material</b>	Brass	
<b>Faucet Spout Material</b>	Stainless steel	
<b>Net Weight</b>	3.6 KG	
<b>Gross Weight</b>	4.5 KG	
<b>Working water press</b>	0.2 ~0.8 Mpa	
<b>LED power supply</b>	Water flow generator	
<b>LED Color changing</b>		
<b>Water temperature</b>	< 28 °C	Blue color
<b>Water temperature</b>	28 °C~ 38 °C	Green color
<b>Water temperature</b>	> 38 °C	Red color

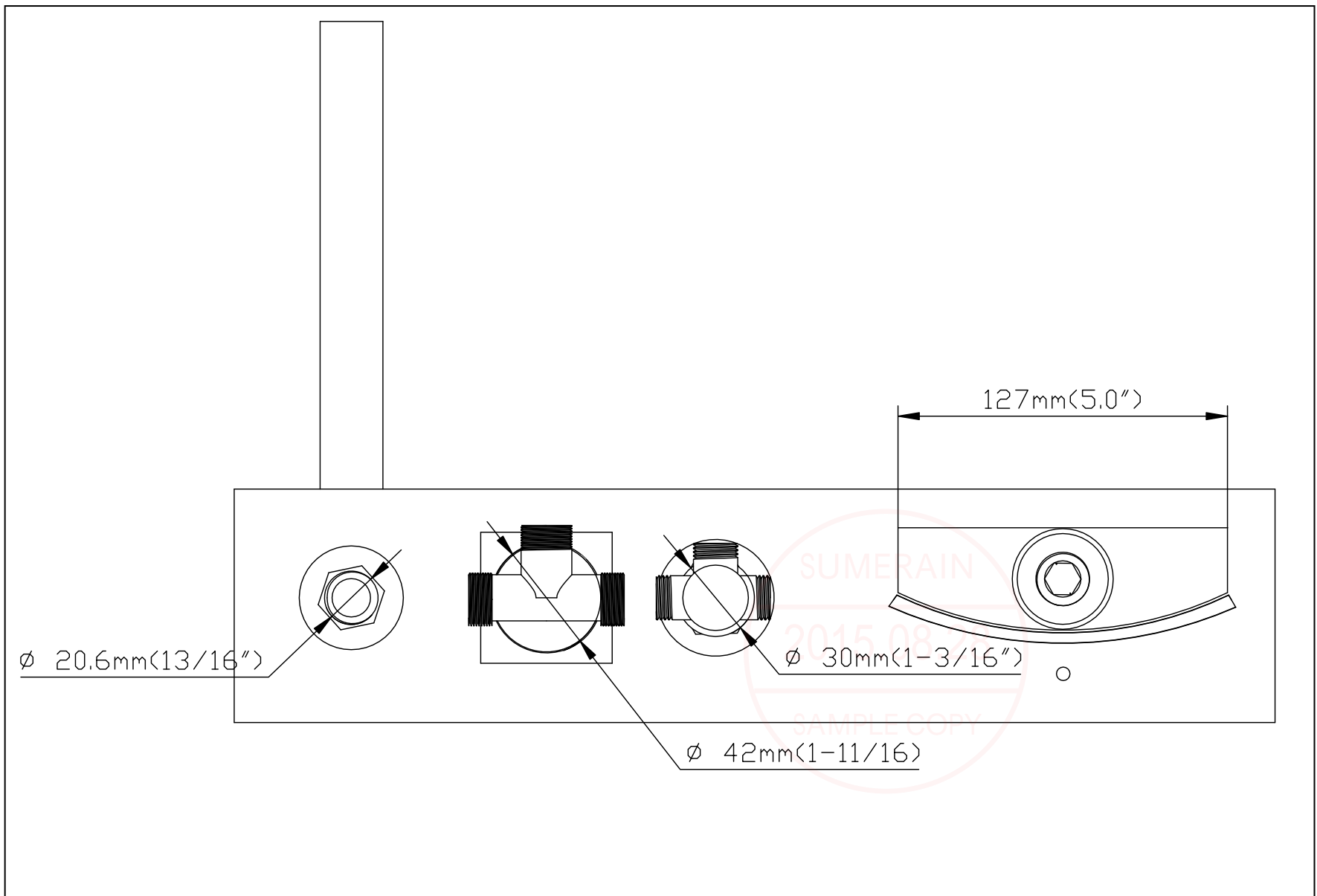
## DIMENSION



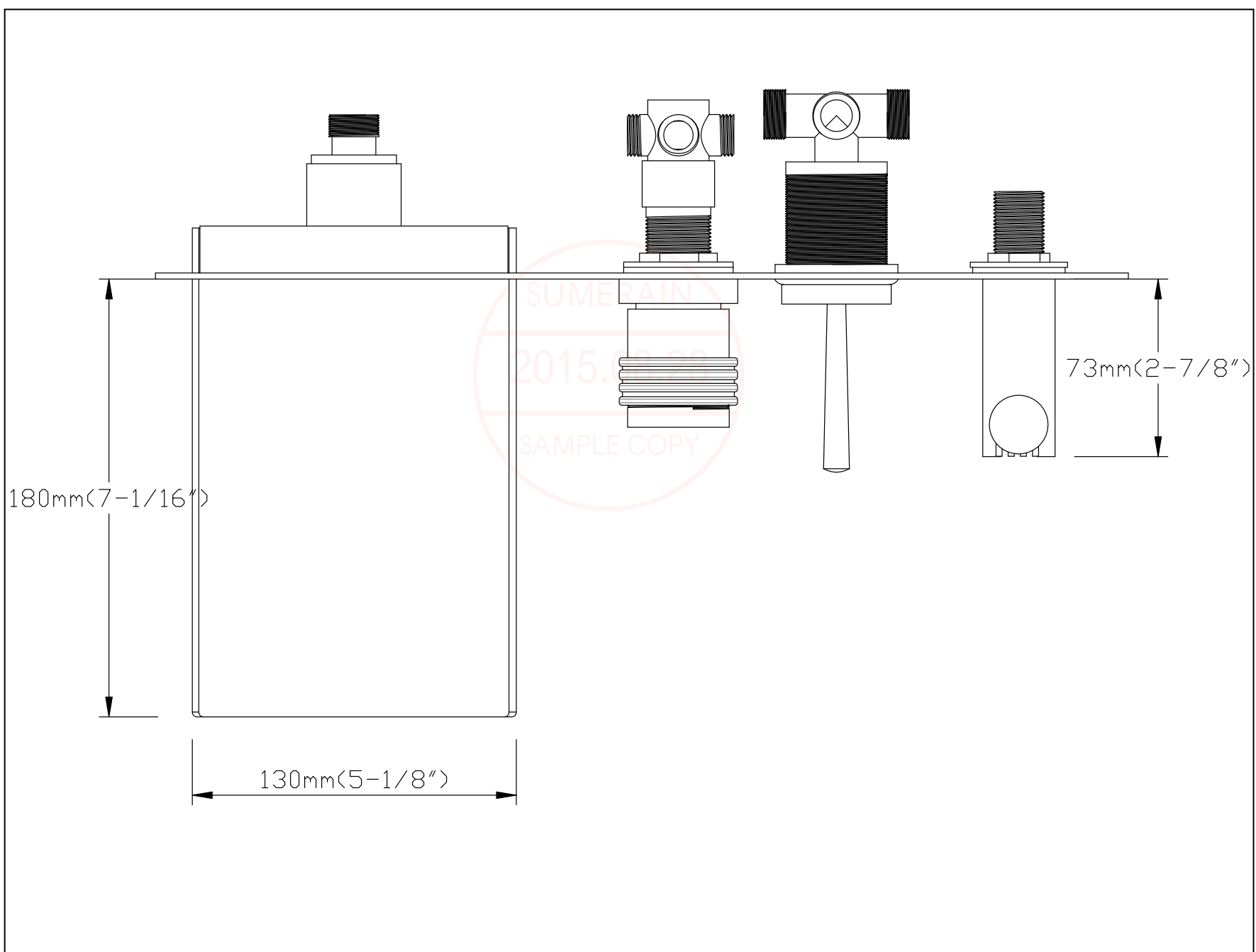
FRONT VIEW OF FAUCET



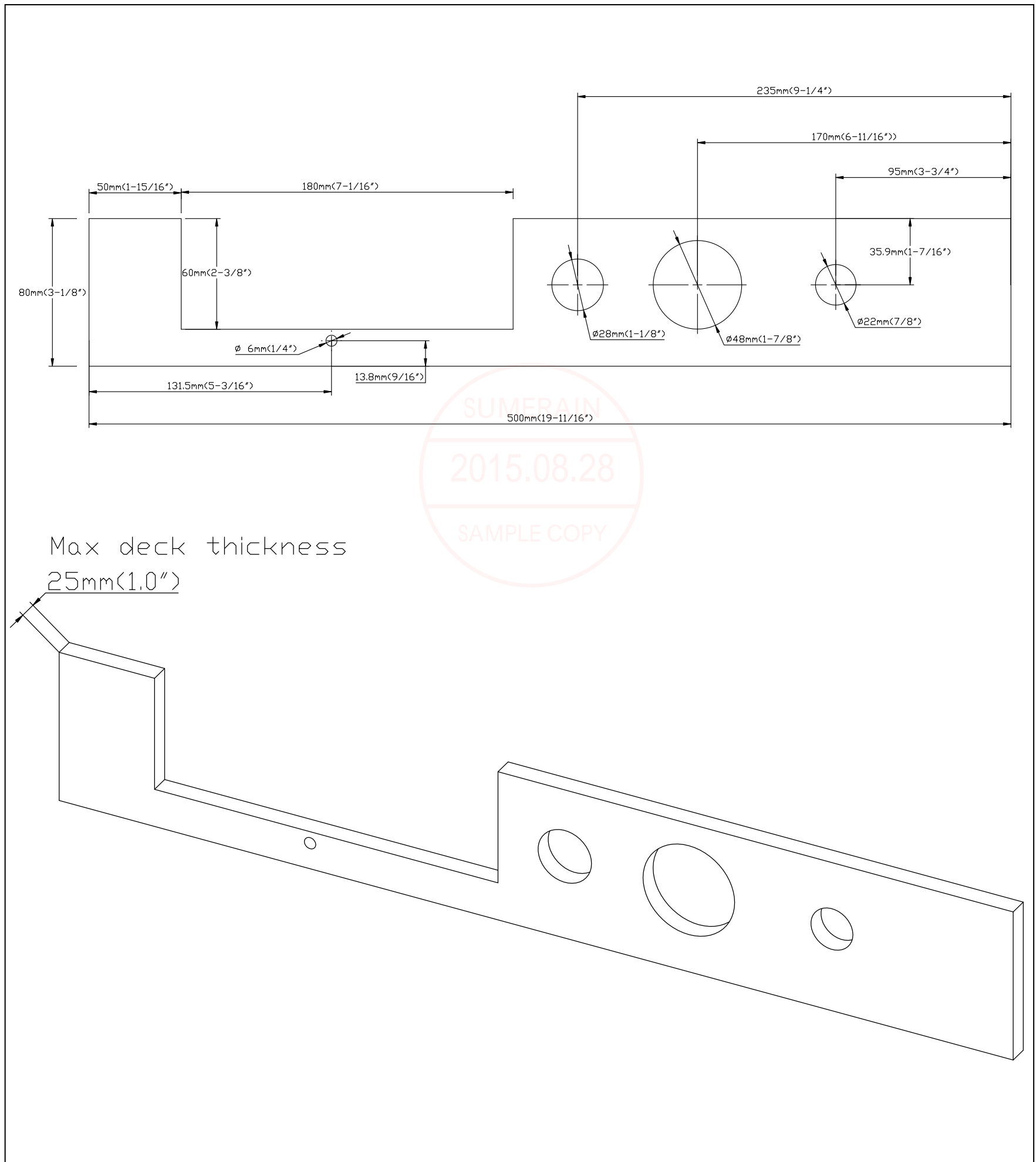
LEFT VIEW OF FAUCET



**REAR VIEW OF FAUCET**

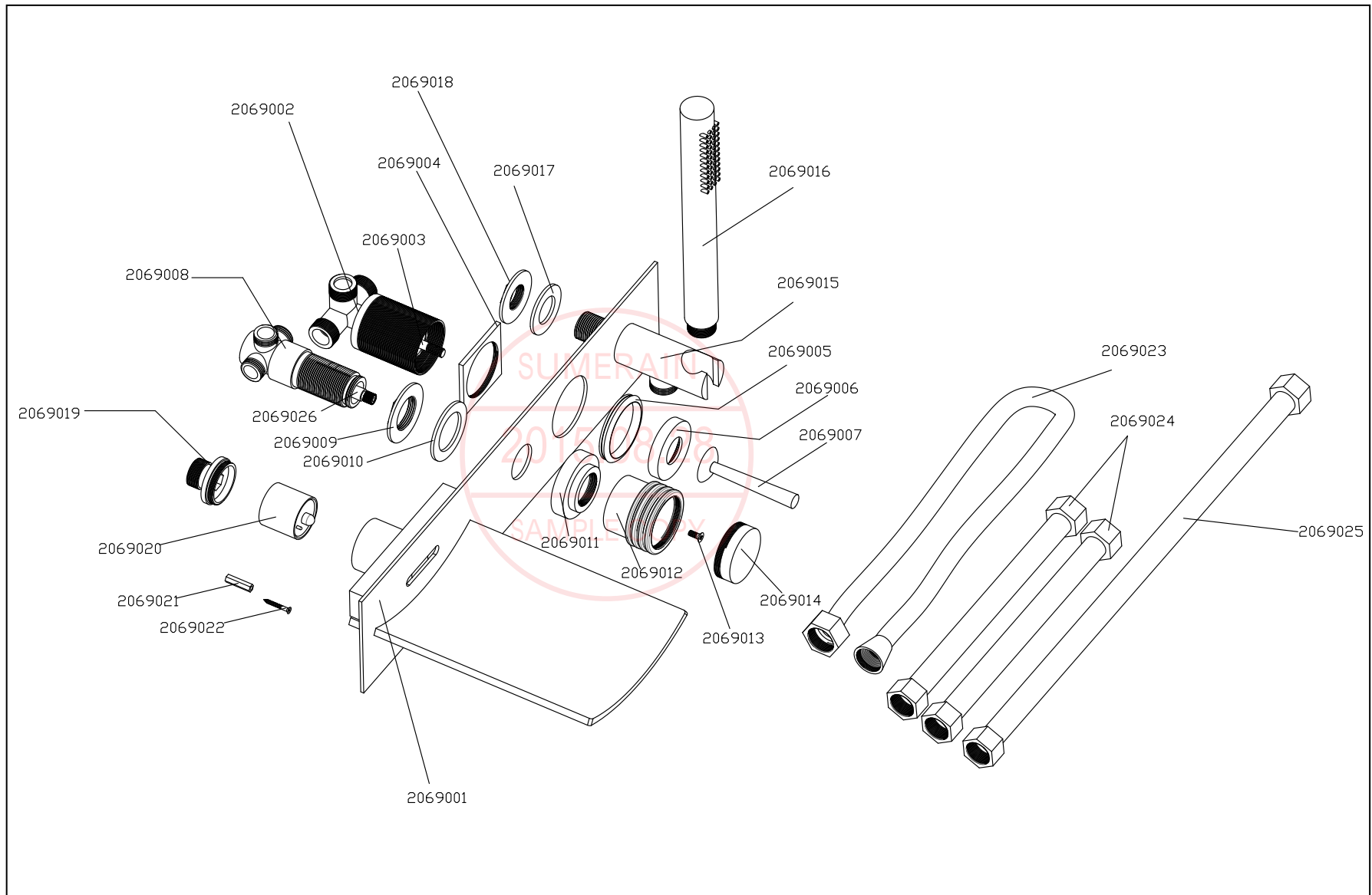


**TOP VIEW OF FAUCET**



**INSTALLATION HOLES DIMENSION AND THICKNESS LIMITATION**

## ACCESORIES LIST



CODE	ITEM NAME	QTY	CODE	ITEM NAME	QTY
2069001	Front Panel integrate spout	1 PCS	2069002	Mixer valve body	1 PCS
2069003	Mixer ceramic cartridge	1 PCS	2069004	Lock nut	1 PCS
2069005	Circular Rubber gasket	1 PCS	2069006	Escutcheon	1 PCS
2069007	Handle	1 PCS	2069008	Diverter valve body	1 PCS
2069009	Lock nut	1 PCS	2069010	Rubber gasket	1 PCS
2069011	Escutcheon	1 PCS	2069012	Knob	1 PCS
2069013	Screw	1 PCS	2069014	Knob cover	1 PCS
2069015	Hand shower holder	1 PCS	2069016	Hand shower	1 PCS
2069017	Rubber gasket	1 PCS	2069018	Lock Nut	1 PCS
2069019	Lock nut	1 PCS	2069020	Water flow generator	1 PCS
2069021	Anchor	1 PCS	2069022	Screw	1 PCS
2069023	Hand shower flexible hose	1 PCS	2069024	20cm G1/2" hose	2 PCS
2069025	40cm G1/2" hose	1 PCS	2069026	Diverter disc cartridge	1 PCS



**HONGKONG SUMERAIN SANITARY INDUSTRY CO.,LIMITED**

Address: ROOM 1018, HOLLYWOOD PLAZA 610 NATHAN ROAD MONGKOK, KL  
Factory Address: Shuikou Industrial Park, Kaiping City, Guangdong Province, China (Mainland)  
Tel: +86-750-2731579  
Toll Free: 400-0999-075 (China mainland)  
Fax: +86-750-2715258  
Web: [www.sumerain.com](http://www.sumerain.com)  
E-mail: [hk@sumerain.com](mailto:hk@sumerain.com)

**SUMERAIN INTERNATIONAL GROUP – AMERICA Sales Branch**

Address: 13455 Harper Dr.  
Saratoga, CA 95070  
USA  
Tel: +1-408-867-8884  
FAX: +1-408-867-4272  
E-mail: [us@sumerain.com](mailto:us@sumerain.com)