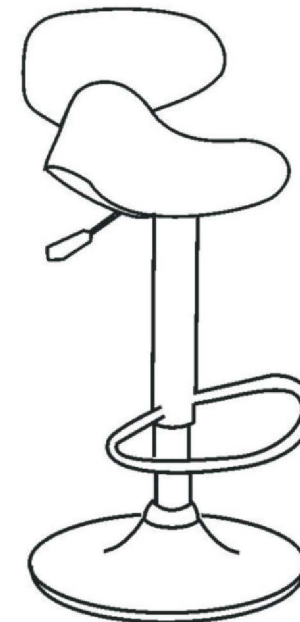


Product Instructions for:

Adjustable Bar stool

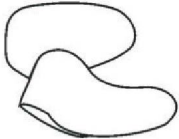
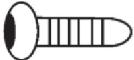


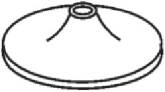




Adjustable Bar stool

For assistance with assembly or questions contact:
Wayfair Customer Service, 877-WAYFAIR (877-929-3247) | www.wayfair.com

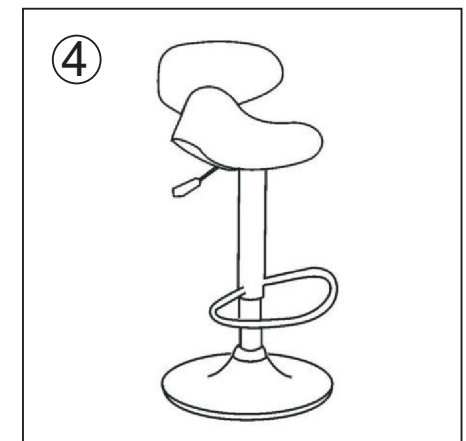
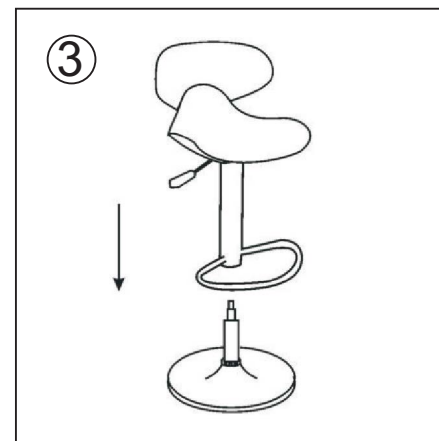
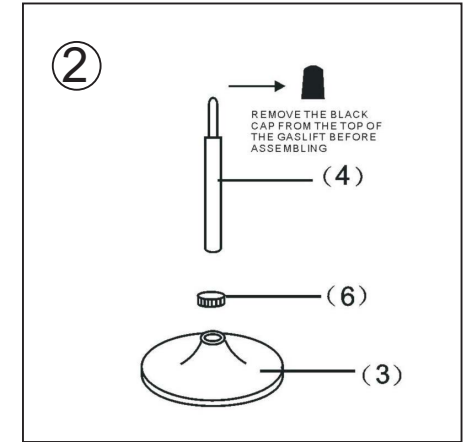
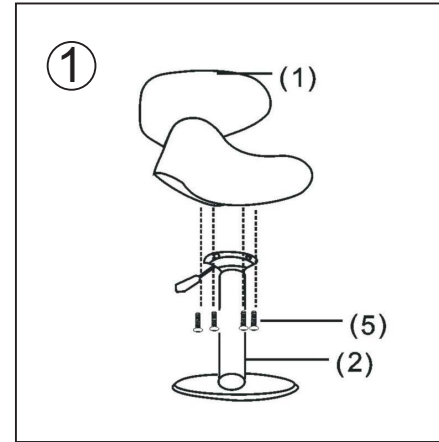
Before beginning assembly, separate all parts and carefully study the parts diagrams below. Review all parts and hardware before disposing of any packaging. You may receive extra hardware with your unit. Call Customer Service for missing hardware.

Parts List

<p>(1)x1</p> <p>Seat</p> 	<p>(5)x4</p> <p>Screws</p> 
<p>(2)x1</p> <p>Stand</p> 	<p>(6)x1</p> <p>Collar</p> 
<p>(3)x1</p> <p>Base</p> 	<p>(7)x1</p> <p>Allen key</p> 
<p>(4)x1</p> <p>Airlift</p> 	

For assistance with assembly or questions contact:
Wayfair Customer Service, 877-WAYFAIR (877-929-3247) | www.wayfair.com

Product Instructions for:



For assistance with assembly or questions contact:
Wayfair Customer Service, 877-WAYFAIR (877-929-3247) | www.wayfair.com