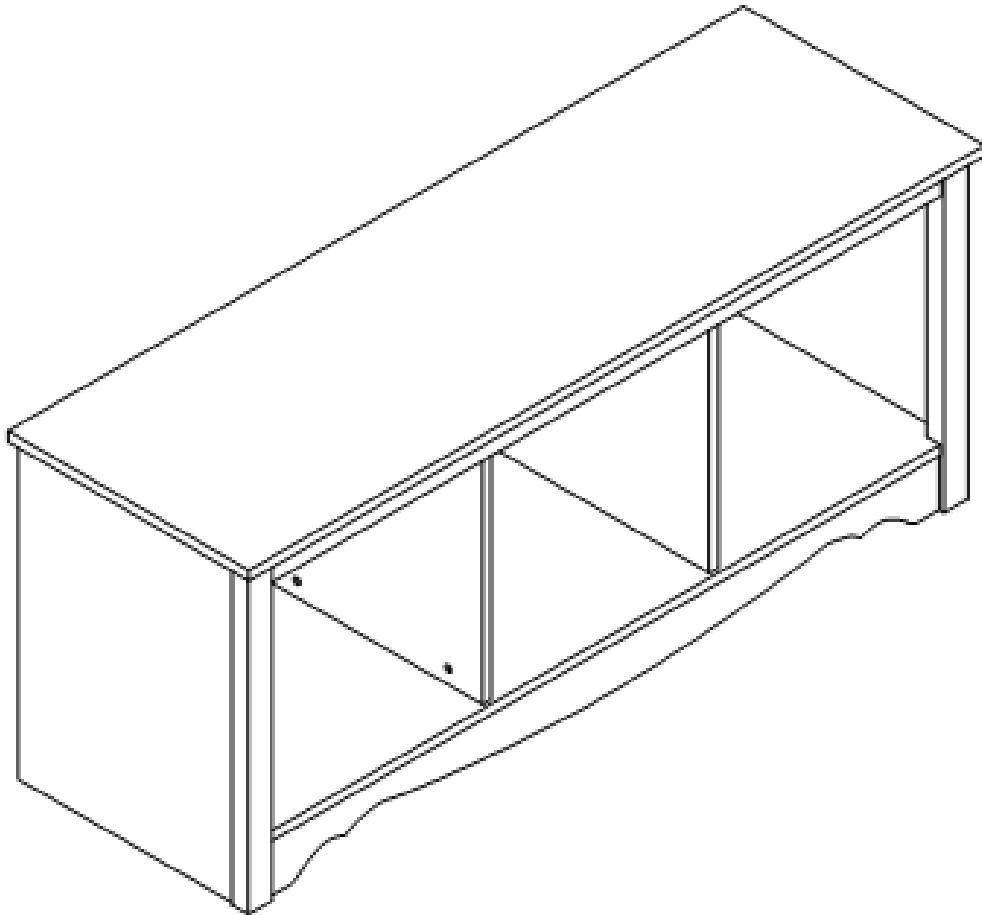


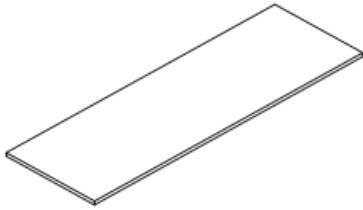
Product Instructions



Before beginning assembly, separate all parts and carefully study the parts diagrams below. Review all parts and hardware before disposing of any packaging. You may receive extra hardware with your unit. Call Customer Service for missing hardware.

Parts List

A: Top Panel (1)



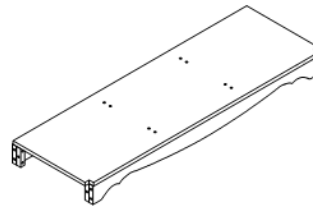
B: Left side panel (1)



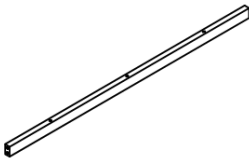
C: Right side panel (1)



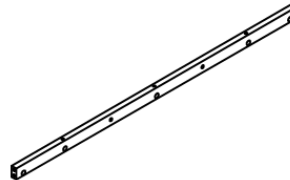
D. Bottom Panel (1)



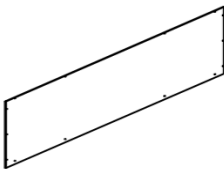
E: Front rail (1)



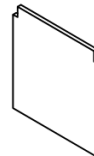
F: Back rail (1)



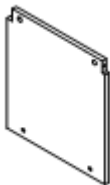
G: Back panel (1)



H: Right divider panel (1)



I: Right divider panel (1)



Before beginning assembly, separate all parts and carefully study the parts diagrams below. Review all parts and hardware before disposing of any packaging. You may receive extra hardware with your unit. Call Customer Service for missing hardware.

Parts List

J: Bolt \varnothing ¼ x 25 mm (4)



K: Bolt \varnothing ¼ x 50 mm (4)



L: Screw M3 x 15 mm (18)



M: Dowel M8 x 30mm (16)



N: Allen key (1)



O: Nut \varnothing 10 x 11 mm (4)



P: Cam pillar (16)

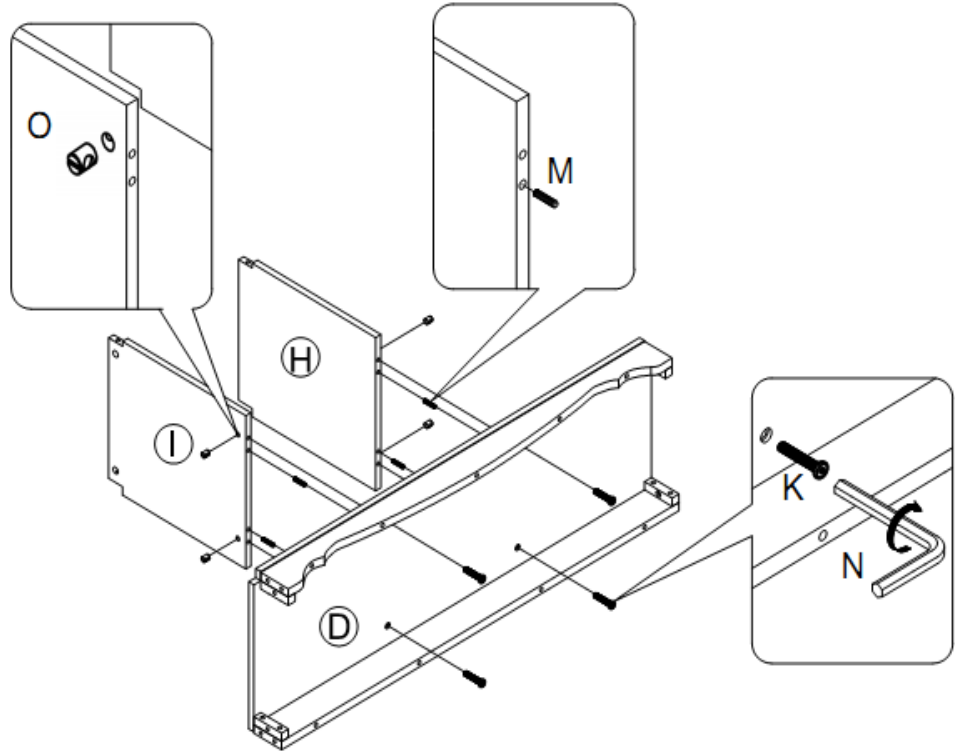


Q: Cam \varnothing 14 x 12mm (16)

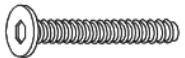


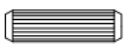
Assembly Instructions

STEP 1

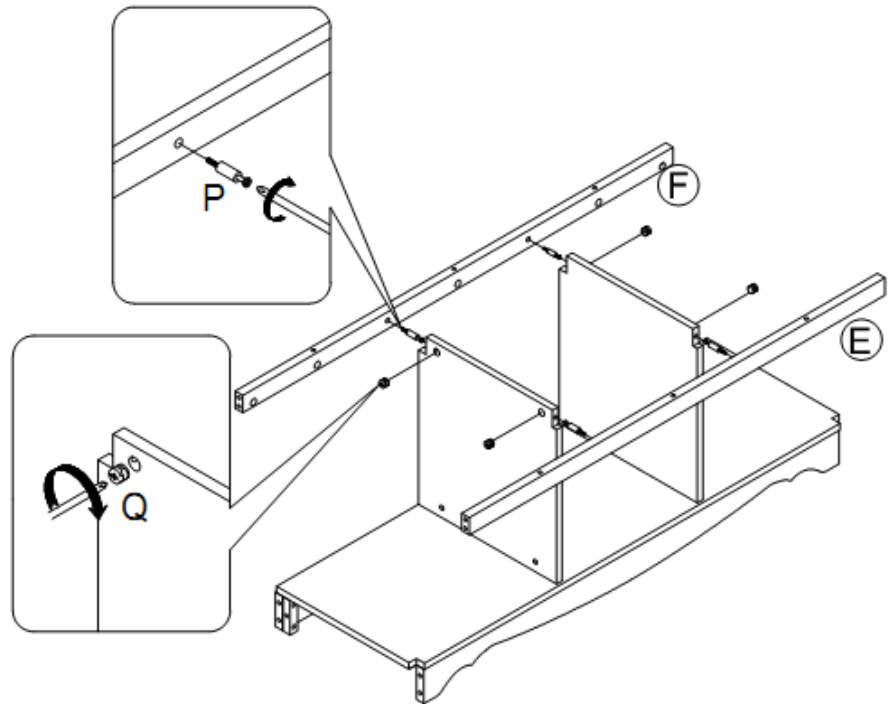



O  4PCS

K  4PCS

M  4PCS

STEP 2







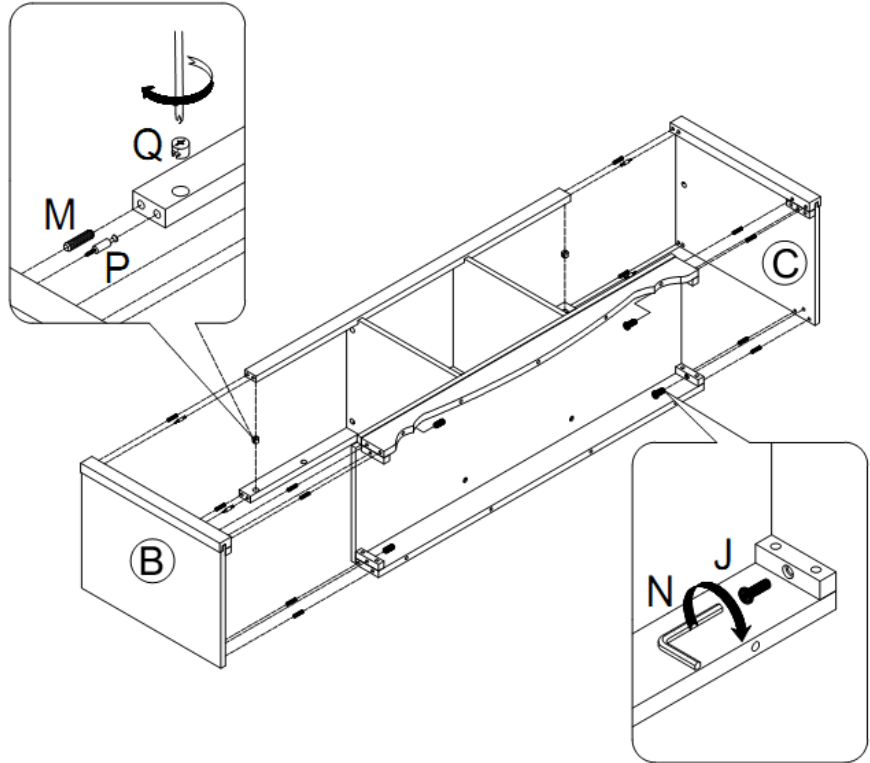
P  4PCS

Q  4PCS



Assembly Instructions

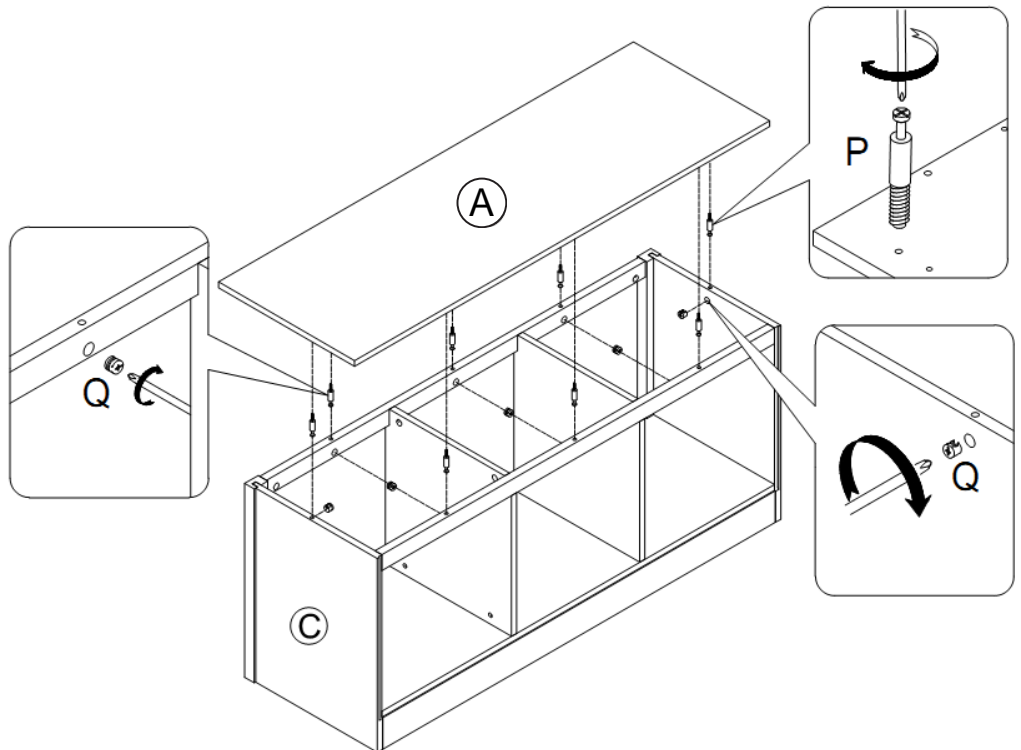
STEP 3

- J  4PCS
- M  12PCS
- P  4PCS
- Q  4PCS



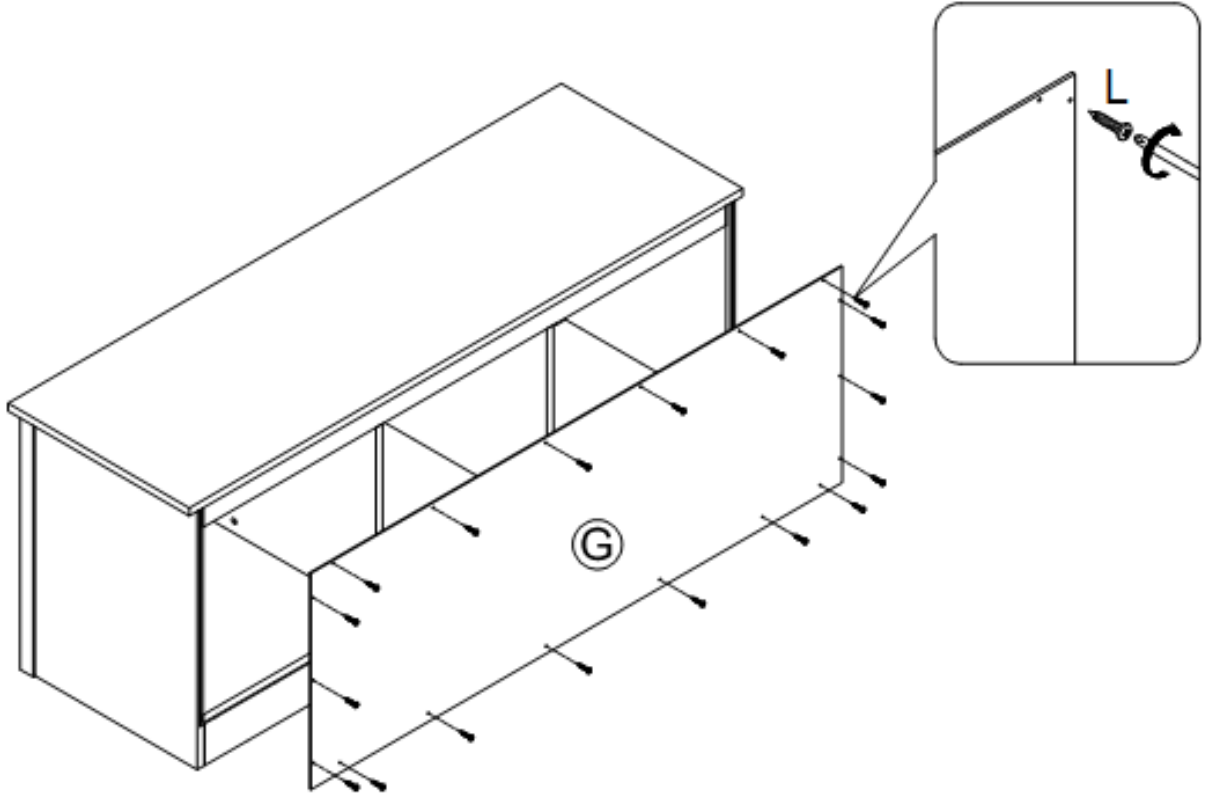
STEP 4

- P  8PCS
- Q  8PCS



Assembly Instructions

STEP 5



L



18 PCS