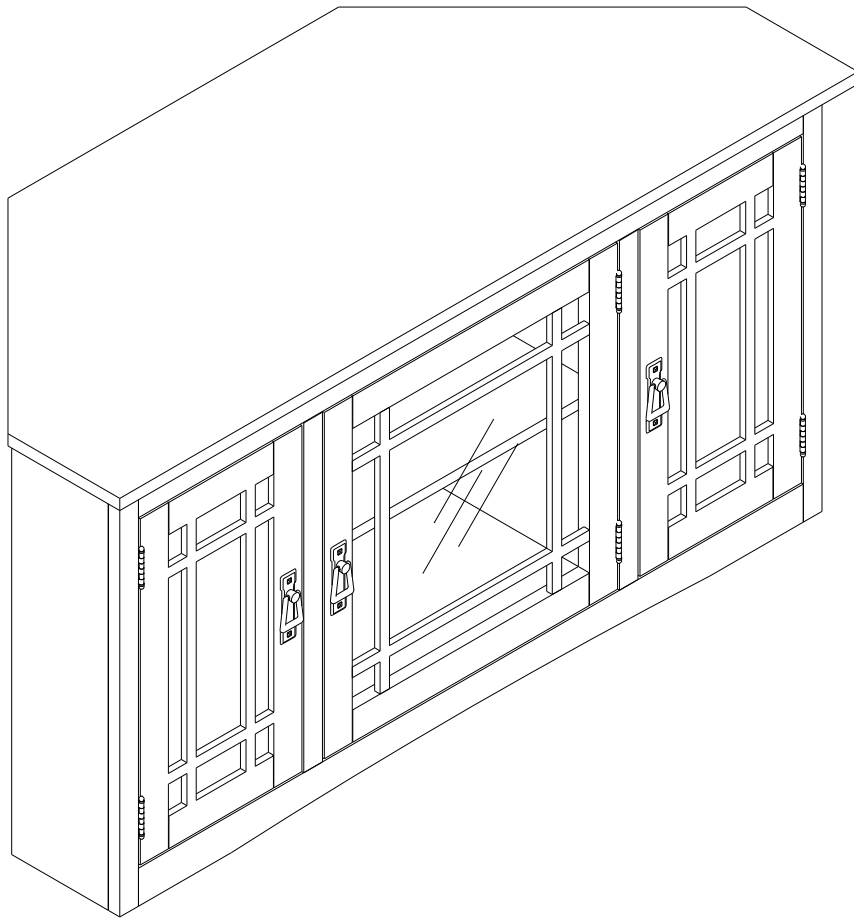


Product Instructions for:

Oak/Cherry TV Stand



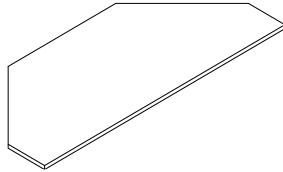
For assistance with assembly or questions contact:
Wayfair Customer Service, 877-WAYFAIR (877-929-3247) | www.wayfair.com

Oak/Cherry TV Stand

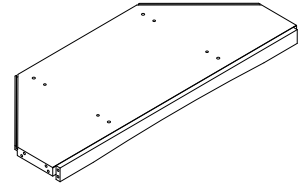
Before beginning assembly, separate all parts and carefully study the parts diagrams below. Review all parts and hardware before disposing of any packaging. You may receive extra hardware with your unit. Call Customer Service for missing hardware.

Parts List

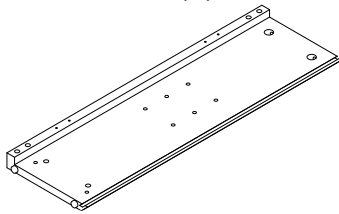
A: Top Panel (1)



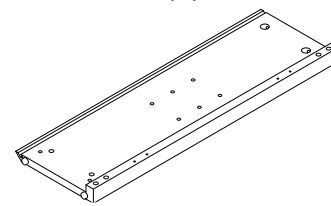
B: Bottom Panel (1)



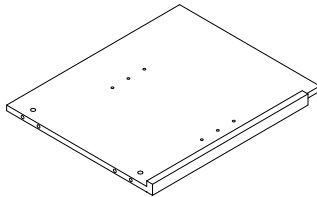
C: Left Side Panel (1)



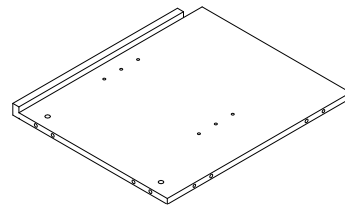
D: Right Side Panel (1)



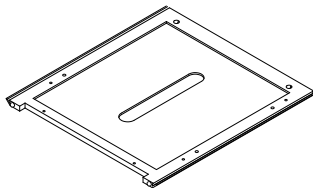
E: Left Divider Panel (1)



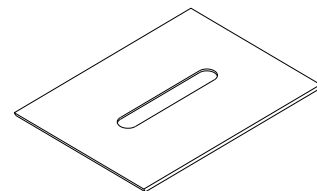
F: Right Divider Panel (1)



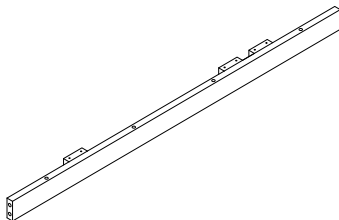
G: Middle Back Panel(1)



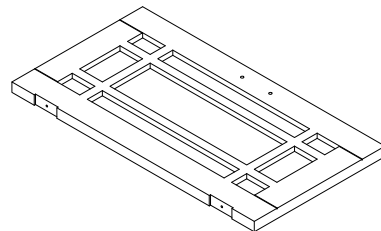
H: Side Back Panel (2)



I: Upper Stretcher (1)

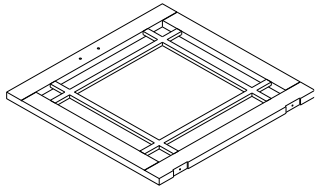


J: Left Door (1)

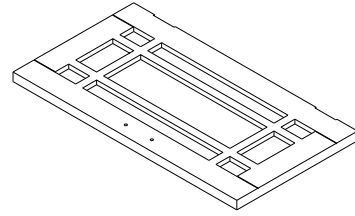


For assistance with assembly or questions contact:
Wayfair Customer Service, 877-WAYFAIR (877-929-3247) | www.wayfair.com

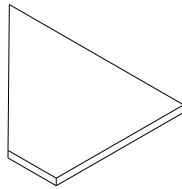
K: Middle Door (1)



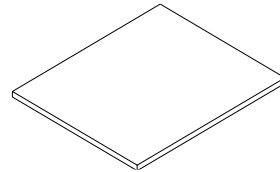
L: Right Door (1)



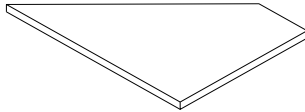
M: Left Shelf (1)



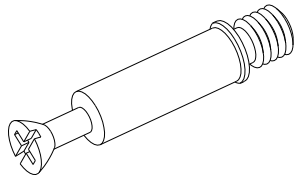
N: Middle Shelf (1)



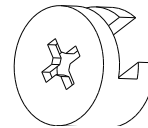
O: Right Shelf (1)



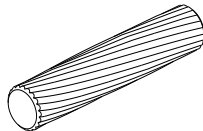
1: Cam Bolt (14)



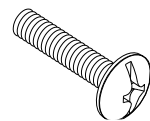
2: Cam Lock (14)



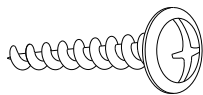
3: Wood Dowel (28)



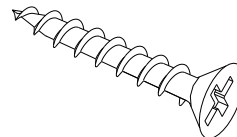
4: Bolt for Handle \varnothing 5/32"x1/2" (6)



5: Screw \varnothing 1/8"x5/8"L (6)



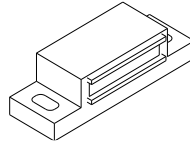
6: Screw \varnothing 1/8"x 1"L (4)



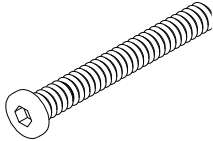
7: Screw \varnothing 1/8"x1/2"L (33)



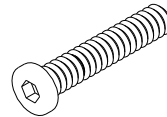
8: Magnetic Catch (3)



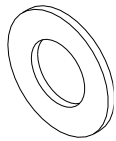
9: Bolt \varnothing 1/4" x2-1/2"L (4)



10: Bolt \varnothing 1/4" x 1-1/4"L (6)



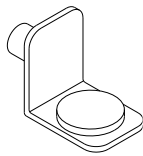
11: Flat Washer (10)



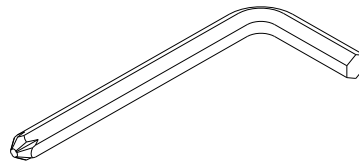
12: Spring Washer (10)



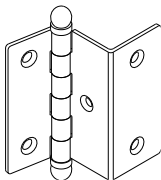
13: Shelf Pin (12)



14: Phillips Head Wrench (1)



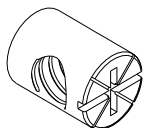
15: Hinge (6)



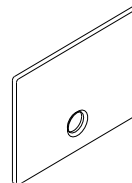
16: Handle (3)



17: Barrel Nut (4)



18: Magnet Plate (3)



For assistance with assembly or questions contact:
Wayfair Customer Service, 877-WAYFAIR (877-929-3247) | www.wayfair.com

OAK/cherry TV Stand

Assembly Instructions

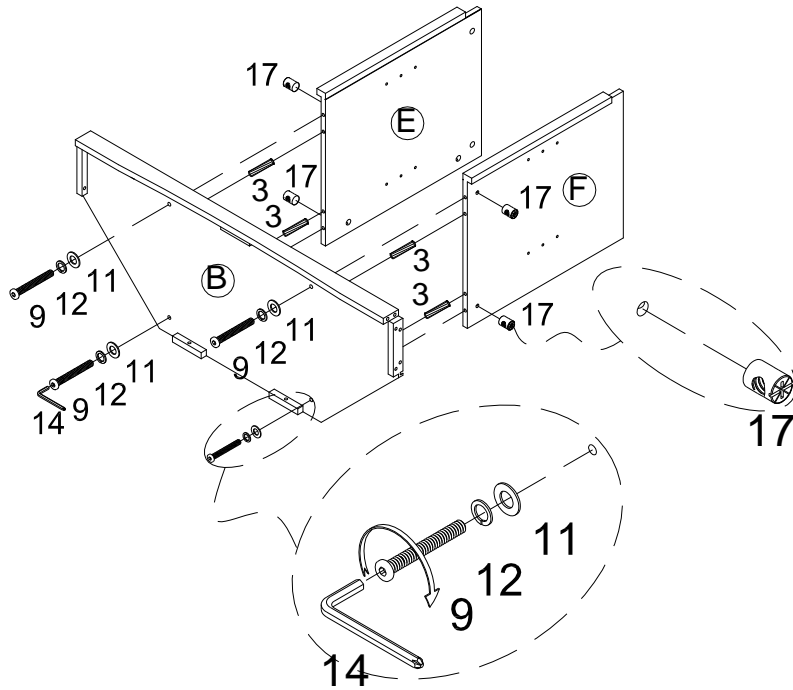


Figure 1

Step 1

Insert Barrel Nuts (17) and Wood Dowels (3) into the pre-drilled holes on the Left and Right Side Divider Panels (E) (F).

Align and connect the Left and Right Side Divider Panels (E) (F) with the Bottom Panel (B).

Use Bolts (9), Flat Washers (11), and Spring Washers (12) to secure the panels in place.

Tighten Bolts (9) with Phillips Head Wrench (14).

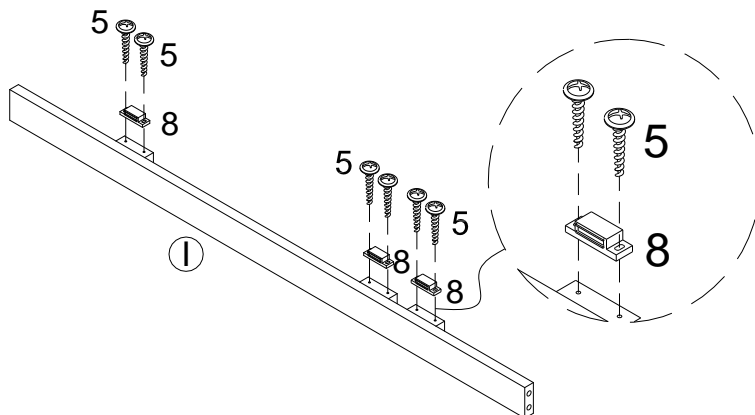


Figure 2

Step 2

Attach Magnetic Catches (8) to Upper Stretcher (I) with Screws (5).

Tighten Screws (5) with Phillips Head Wrench (14).

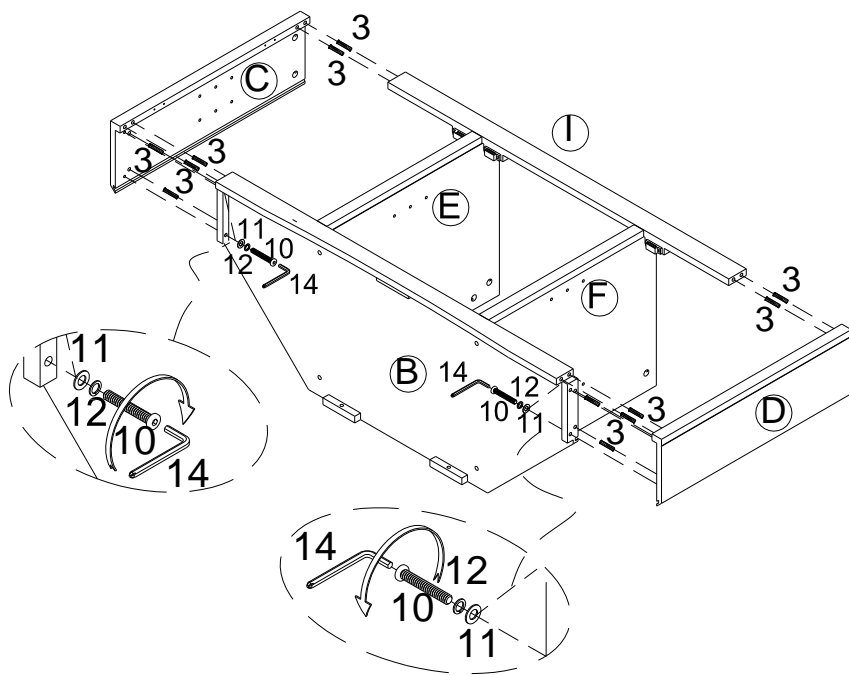


Figure 3

Step 3

Insert Wood Dowels (3) into the pre-drilled holes on the Upper Stretcher (I) and Left and Right Side Panels (C) (D).

Align and connect the Left and Right Side Panels (C) (D) to the Upper Stretcher (I) and the Bottom Panel (B).

Use Bolts (10), Flat Washers (11), and Spring Washers (12) to secure the panels in place.

Tighten Bolts (10) with Phillips Head Wrench (14).

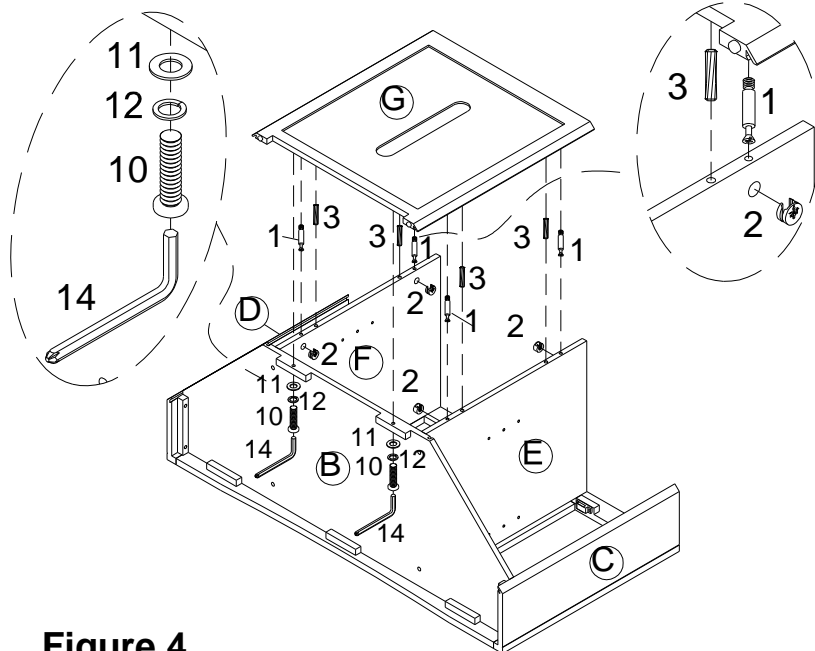


Figure 4

Step 4

Screw Cam Bolts (1) into corresponding holes on the Middle Back Panel (G).

Insert Cam Locks (2) and Wood Dowels (3) into the pre-drilled holes on the Left and Right Side Divider Panels (E) (F).

Align and connect the Middle Back Panel (G) the Left and Right Side Divider Panels (E) (F).

Tighten Cam Locks (2) with Phillips Head Wrench (14) to lock the panels in place.

Secure the Middle Back Panel (G) to the Bottom Panel (B) with Bolts (10) with Flat Washer (11) and Spring Washer (12).

Tighten Bolts (10) with Phillips Head Wrench (14).

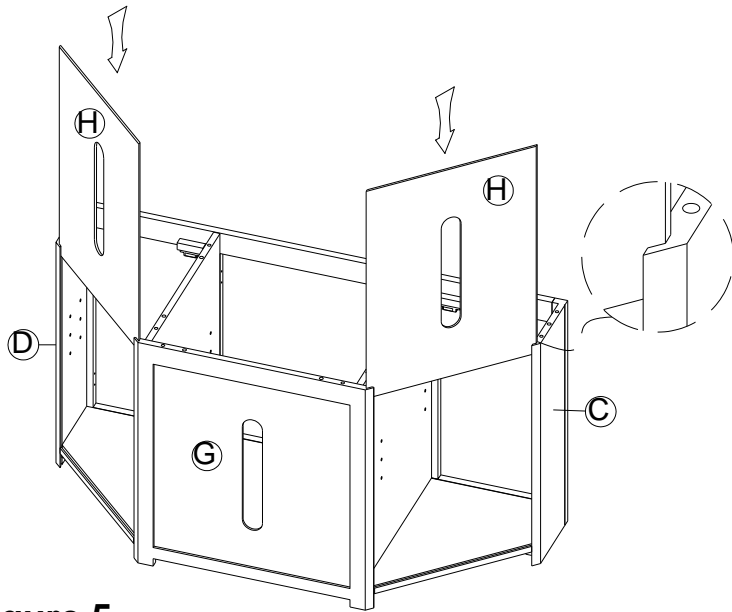


Figure 5

Step 5

Slide in Back Side Panels (H) into the cabinet as shown in Figure 5.

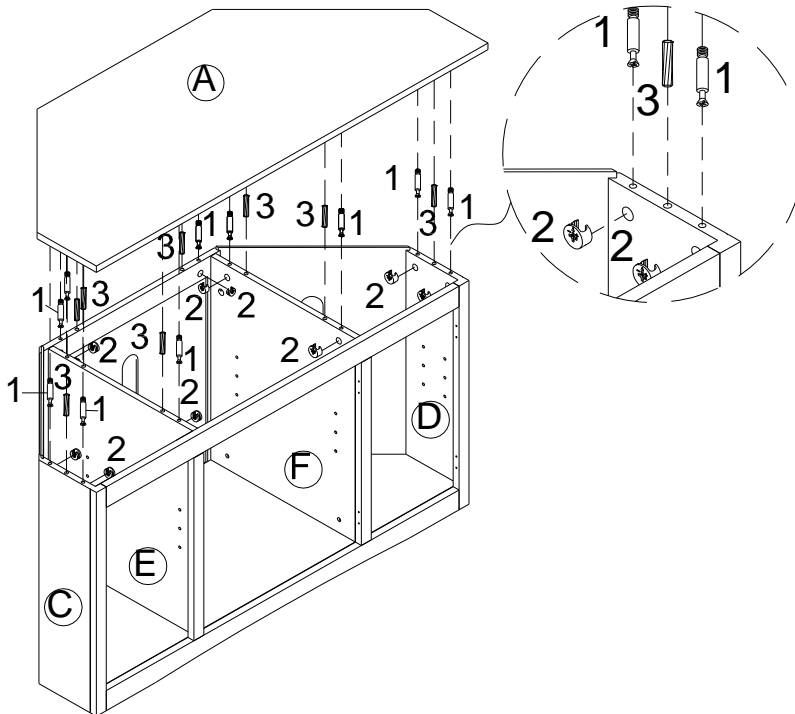


Figure 6

Step 6

Screw Cam Bolts (1) into corresponding holes on the Middle Top Panel (A).

Insert Cam Locks (2) and Wood Dowels (3) into the pre-drilled holes on the assembled unit from Figure 5.

Align and connect the Top Panel (A) to the assembled unit.

Tighten Cam Locks (2) with Phillips Head Wrench (14) to lock the panels in place.

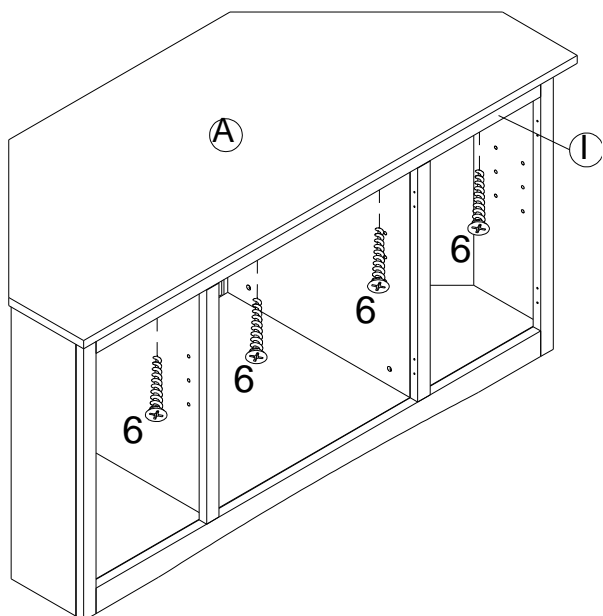


Figure 7

Step 7

Connect Upper Stretcher (I) to Top Panel (A) with Screws (6).

Tighten Screws (6) with Phillips Head Wrench (14).

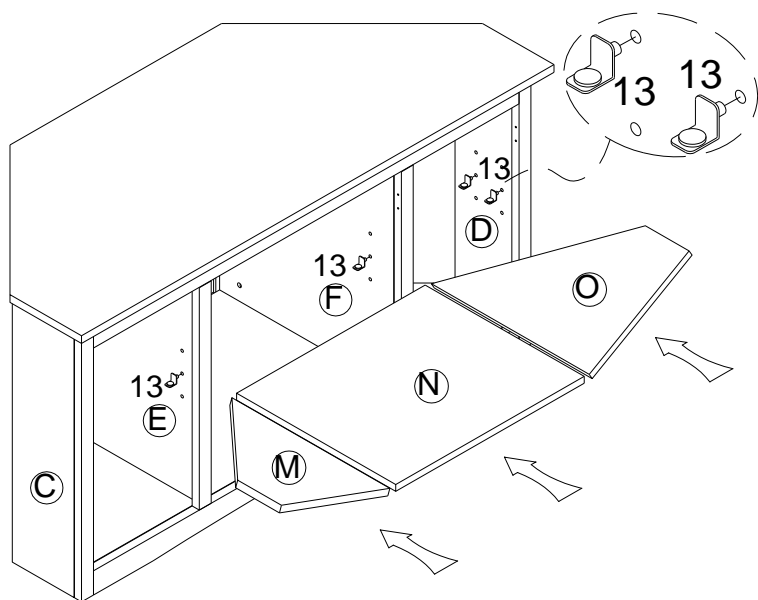


Figure 8

Step 8

Insert Shelf Pins (13) into the pre-drilled holes on the Divider Panels (E) (F) and Side Panels (C) (D).

Place Shelves (M) (N) (O) on the Shelf Pins (13) as shown in Figure 8.

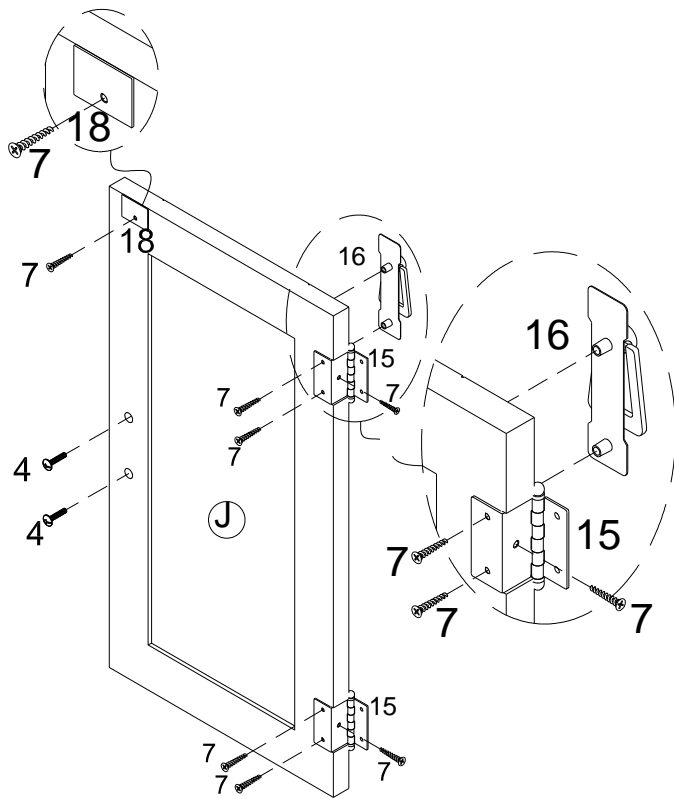


Figure 9

Step 9

Attach Magnet Plate (18) and Hinges (15) to Left Door (J) with Screws (7).

Attach Handle (16) to Left Door (J) with Bolt for Handle (4).

Tighten Screws (7) and Bolt for Handle (4) with Phillips Head Wrench (14).

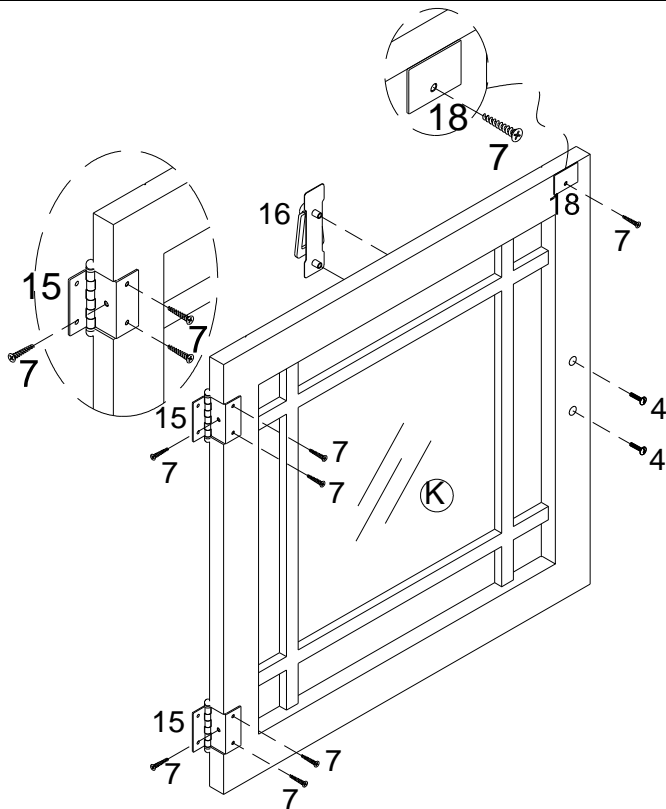


Figure 10

Step 10

Attach Magnet Plate (18) and Hinges (15) to Middle Door (K) with Screws (7).

Attach Handle (16) to Middle Door (K) with Bolts for Handle (4).

Tighten Screws (7) and Bolts for Handle (4) with Phillips Head Wrench (14).

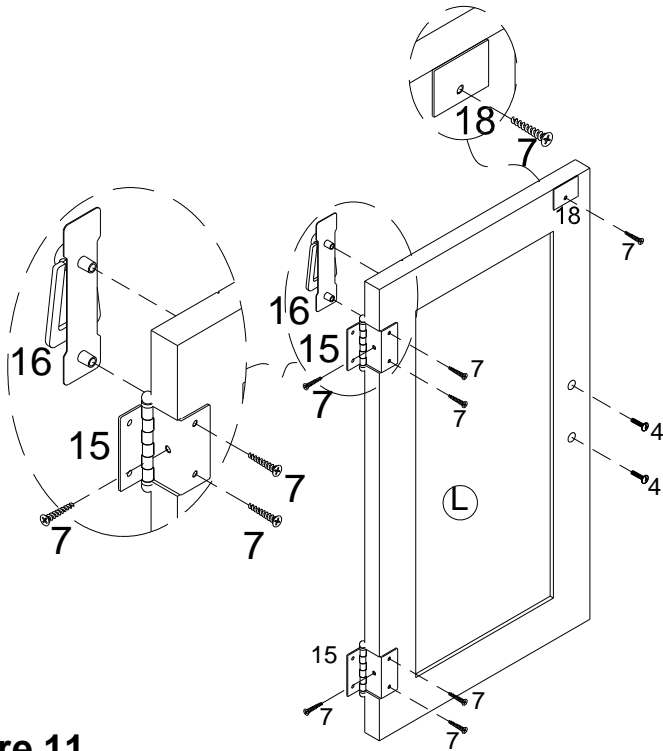


Figure 11

Step 11

Attach Magnet Plate (18) and Hinges (15) to Right Door (L) with Screws (7).

Attach Handle (16) to Right Door (L) with Bolt for Handle (4).

Tighten Screws (7) and Bolt for Handle (4) with Phillips Head Wrench (14).

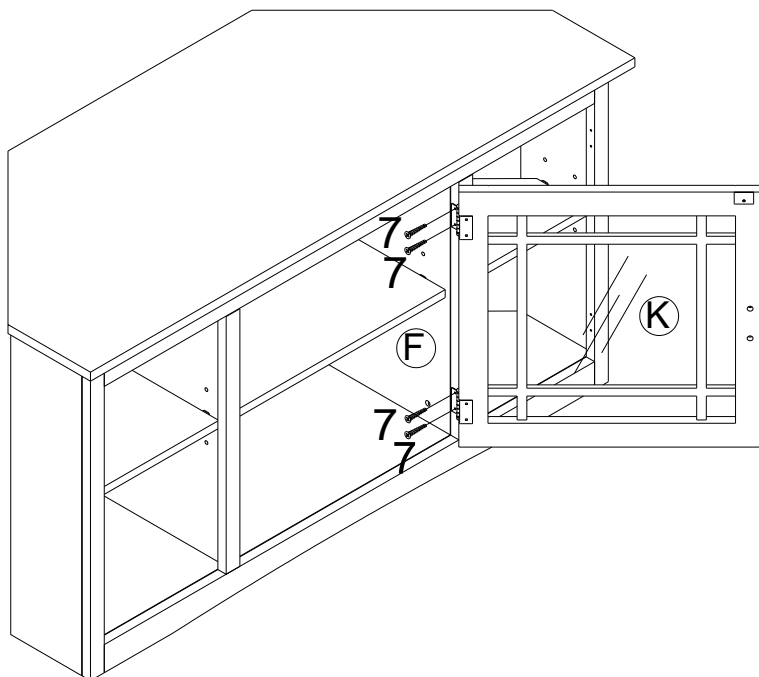


Figure 12

Step 12

Attach Middle Door (K) with the hinges to the Divider Panels (F) using Screws (7) as shown in Figure 12.

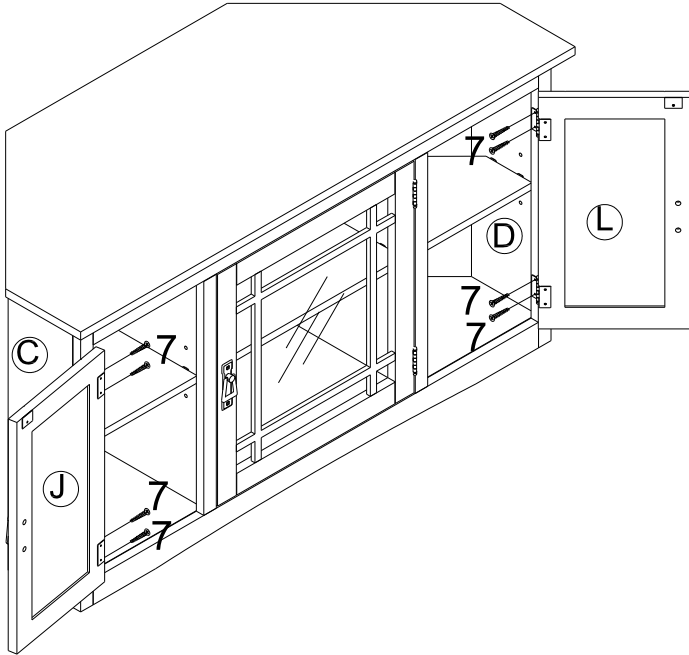


Figure 13

Step 13

Attach Doors (J) (L) with hinges to the Side Panels (C) (D) using Screws (7) as shown in Figure 13.

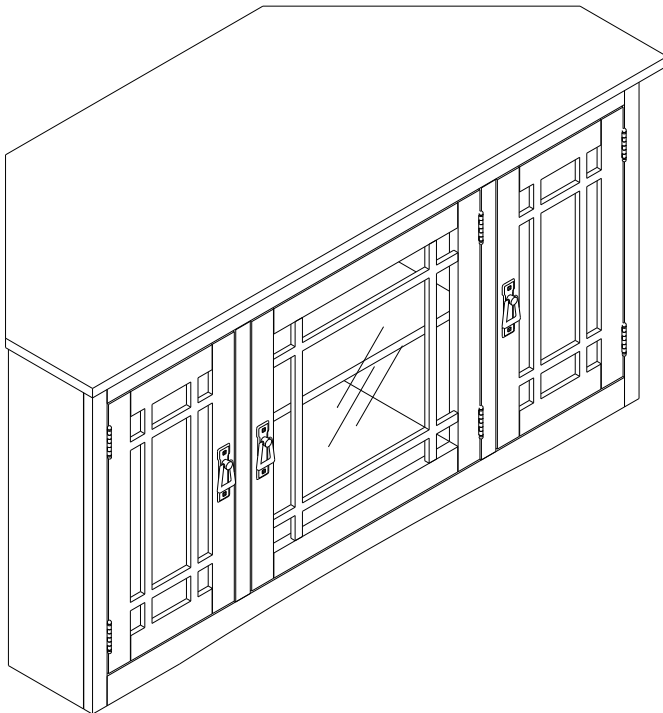


Figure 14

Step 14

Now your Mission TV Stand is ready for use!