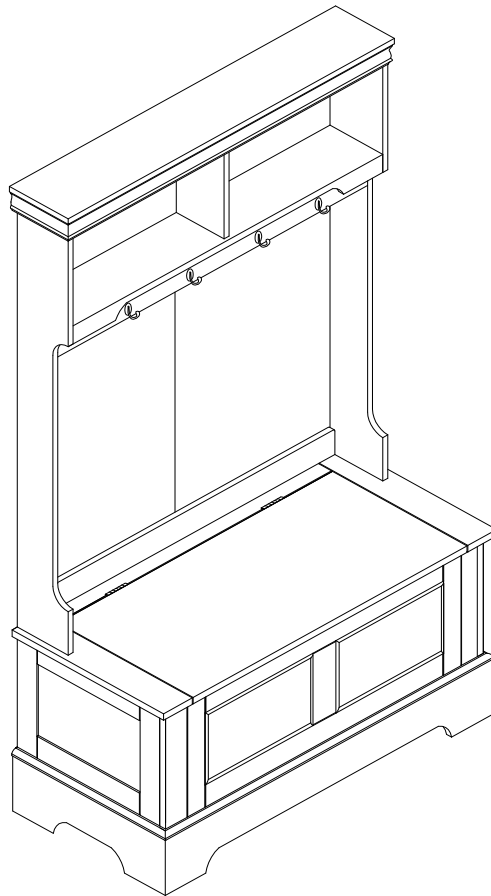


# threeposts

Product Instructions for:

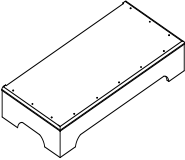
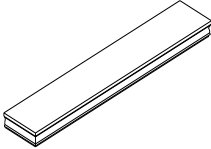
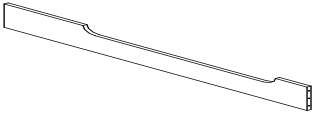

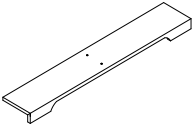
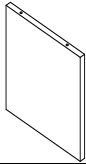
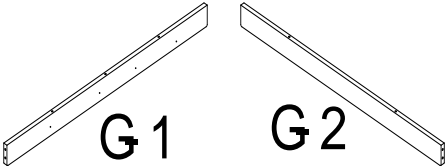
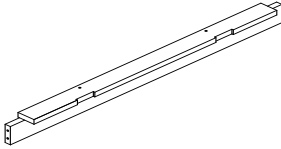

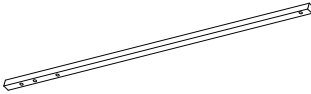
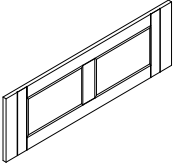
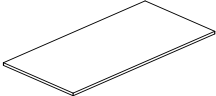
## YD-5530WHT Hall Tree



For assistance with assembly or questions contact:  
Wayfair Customer Service, 877-WAYFAIR (877-929-3247) | [www.wayfair.com](http://www.wayfair.com)

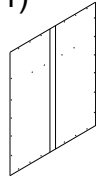
# YD-5530WHT Hall Tree

Before beginning assembly, separate all parts and carefully study the parts diagrams below. Review all parts and hardware before disposing of any packaging. You may receive extra hardware with your unit. Call Customer Service for missing hardware.

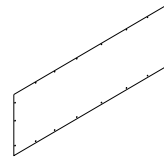
Parts List	
A: Base (1) 	B: Top Panel (1) 
C: Wardrobe Left Frame (1) 	D: Wardrobe Right Frame (1) 
E: Shelf Frame (1) 	F: Shelf Panel (1) 
G1,G2: Bars (1pc each) 	H: Storage Rail (1) 
I-L,I-R: Storage Side Frames (1pc each) 	J: Long Vertical Bar (2) 
K: Storage Front Panel (1) 	L: Storage Lid (1) 

For assistance with assembly or questions contact:  
Wayfair Customer Service, 877-WAYFAIR (877-929-3247) | [www.wayfair.com](http://www.wayfair.com)

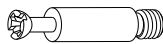
M: Wardrobe Back Panel (1)



N: Storage Back Panel (1)



1: Cam Bolt (35)



2: Wood Dowel Dia. 8x30mm (18)



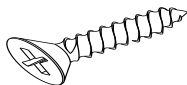
3: Cam Lock (35)



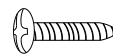
4: Plastic Cover (27)



5: Flat Head Screw 5/8”L (16)



6: Round Head Screw (Black) 5/8”L (44)



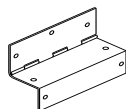
7: Left Safety Lift (1)



8: Right Safety Lift (1)



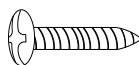
9: Hinge (2)



10: Hook (4)



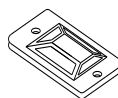
11: Round Head Screw (Antique Brass) 5/8”L (16)



12: Flat Head Screw 1-1/4”L (8)



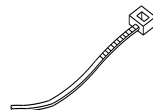
13: Bracket (4)



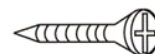
14: Screw 1-1/2”L (4)



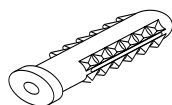
15: Zip Tie (2)



16: Screw 5/8”L (4)

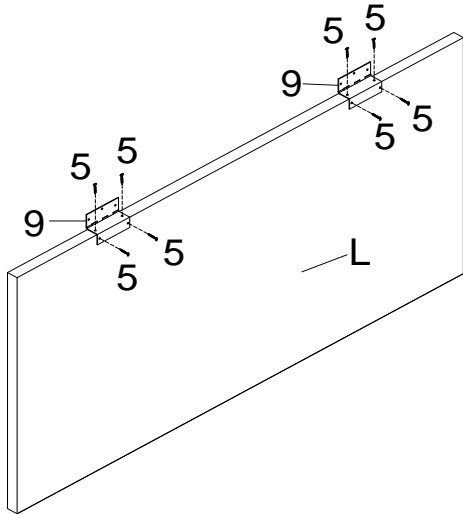


17: Wall Anchor (4)



# YD-5530WHT Hall Tree

## Assembly Instructions

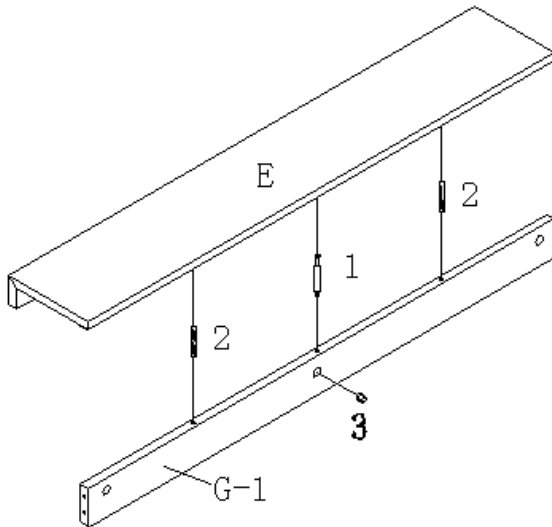


**Figure 1**

Unpack and lay parts on a clean, padded surface like a carpet or blanket. Check that you have all parts indicated on the front page.

Attach Hinges (9) to the Storage Lid (L) with Flat Head Screws (5) as shown in Figure 1.

Tighten Flat Head Screws (5) using Phillips screwdriver (not included).

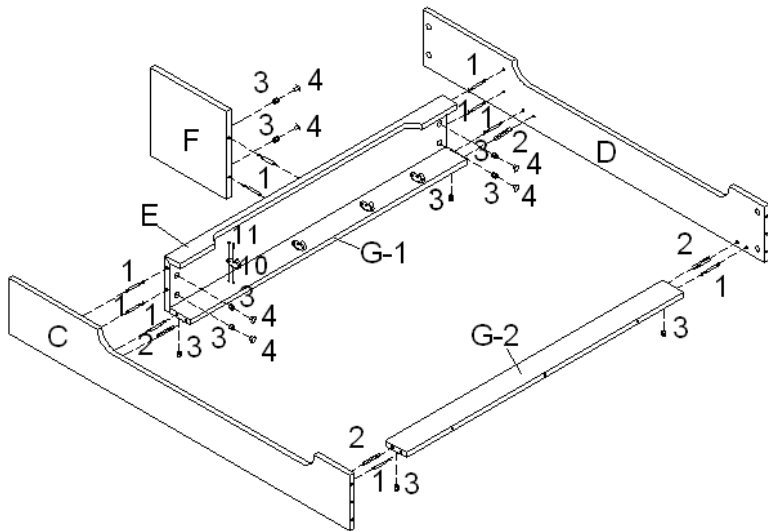


**Figure 2**

Insert Cam Locks (3) into pre-drilled holes on Bar (G1).

Screw Cam Bolts (1) into pre-drilled holes on Shelf Frame (E).

Attach Shelf Frame (E) to Bar (G1) by inserting Wood Dowels (2) and Cam Bolts (1) into corresponding holes until components (E) and (G1) meet. Tighten by rotating Cam Locks (3) clockwise using Phillips screwdriver.



**Figure 3**

Insert Cam Locks (3) into predrilled holes on the unit from Figure 2 and Bar (G2).

Screw Cam Bolts (1) into predrilled holes on Wardrobe Frames (C) & (D). Attach Wardrobe Frames (C), (D) and Bar (G2) to the unit from Figure 2 by inserting Wood Dowels (2) and Cam Bolts (1) into corresponding holes.

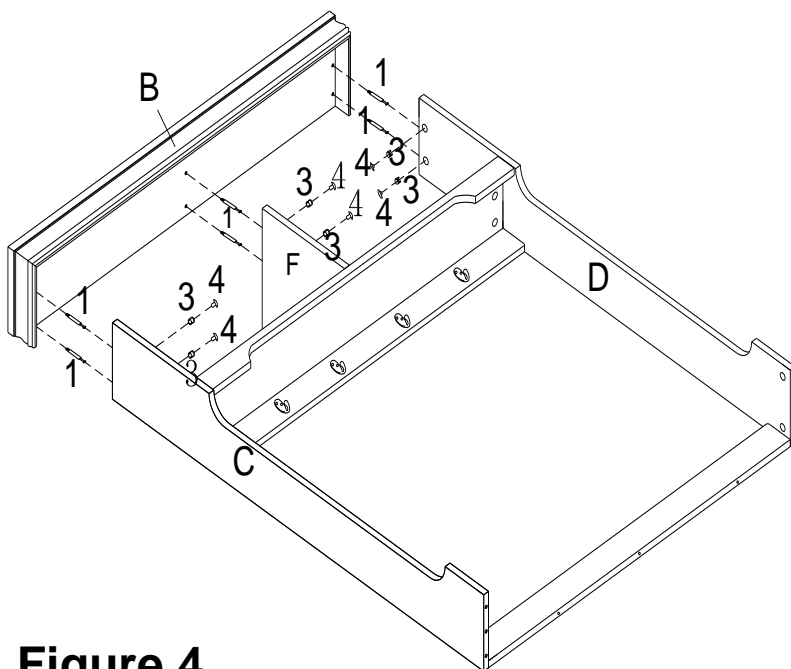
Tighten by rotating Cam Locks (3) clockwise using Phillips screwdriver.

Cover Cam Lock (3) holes with Plastic Covers (4).

Attach Shelf Panel (F) to Shelf Frame (E) using Wood Dowels (2) and Cam Bolts (1).

Connect Hooks (10) to bar (G1) with Screws (11).

Tighten Screws (11) using Phillips screwdriver.



**Figure 4**

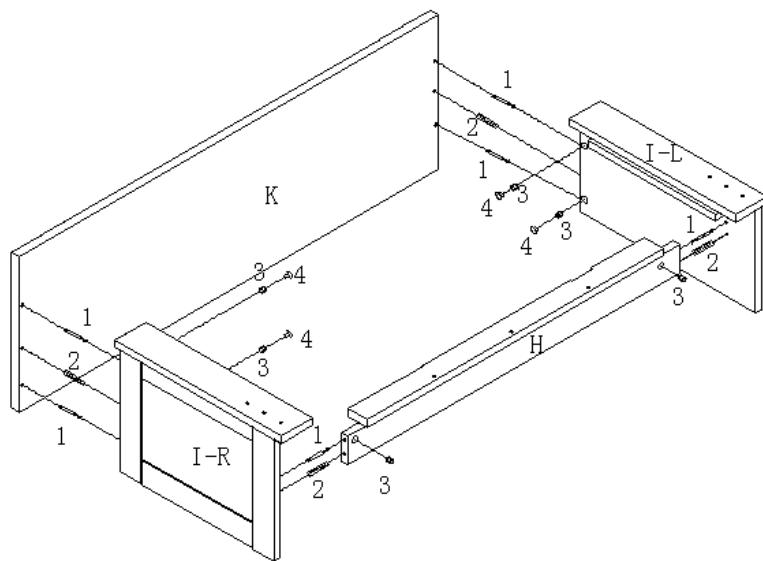
Insert Cam Locks (3) into predrilled holes on the unit from Figure 3.

Screw Cam Bolts (1) into predrilled holes on Wardrobe Frames (C) & (D) and Shelf Panel (F).

Attach Top Panel (B) to the unit from Figure 3 by inserting Cam Bolts (1) into corresponding holes.

Tighten by rotating Cam Locks (3) clockwise using Phillips screwdriver.

Cover Cam Lock holes with Plastic Covers (4)



**Figure 5**

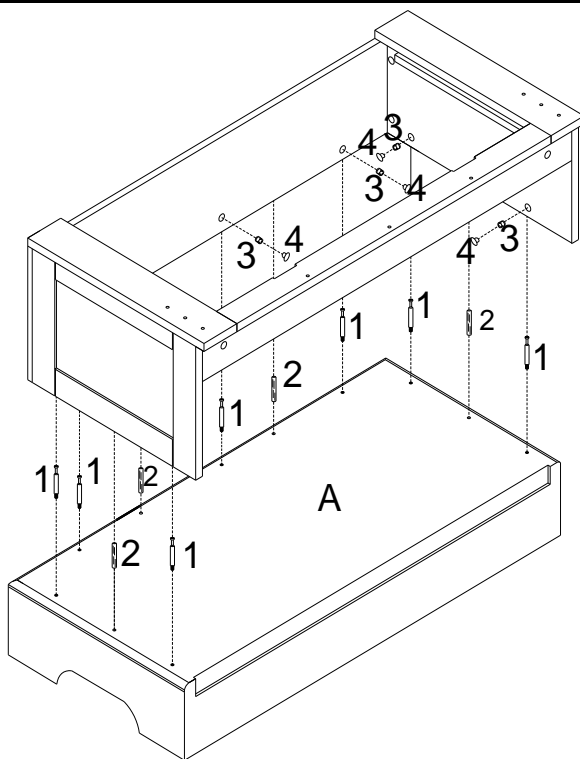
Insert Cam Locks (3) into predrilled holes on Storage Rail (H).

Screw Cam Bolts (1) into predrilled holes on Storage Side Frames (I-L, I-R).

Attach Storage Side Frames (I-L, I-R) to Storage Rail (H) by inserting Wood Dowels (2) and Cam Bolts (1) into corresponding holes. Tighten by rotating Cam Locks (3) clockwise using Phillips screwdriver.

Cover Cam Lock (3) holes with Plastic Covers (4).

Attach Storage Side Frames (I-L, I-R) to Storage Front Panel (K) using Wood Dowels (2) and Cam Bolts (1).



**Figure 6**

Insert Cam Locks (3) into predrilled holes on the unit from the Figure 5.

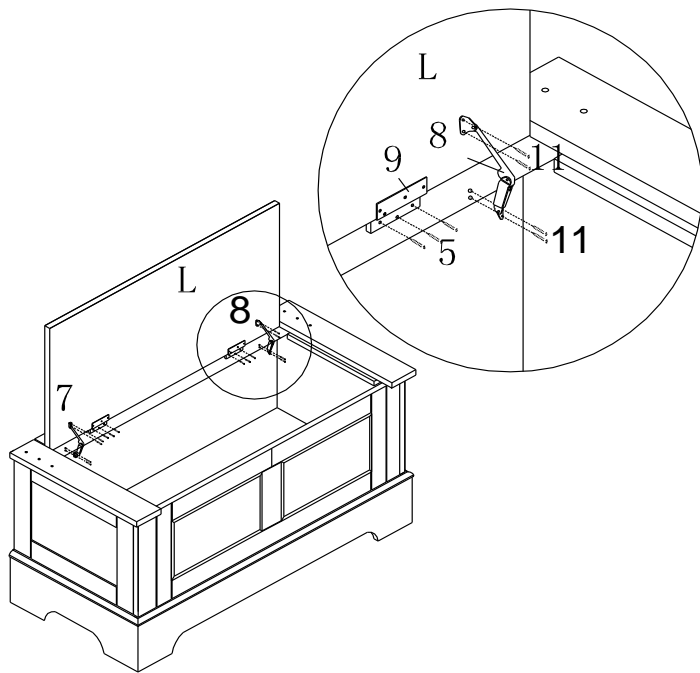
Screw Cam Bolts (1) into predrilled holes on Base (A).

Attach the unit from Figure 5 to Base (A) by inserting Cam Bolts (1) and Wood Dowels (2) into corresponding holes. Tighten by rotating Cam Locks (3) clockwise using Phillips screwdriver.

Cover Cam Lock (3) holes with Plastic Covers (4)

For assistance with assembly or questions contact:

Wayfair Customer Service, 877-WAYFAIR (877-929-3247) | [www.wayfair.com](http://www.wayfair.com)

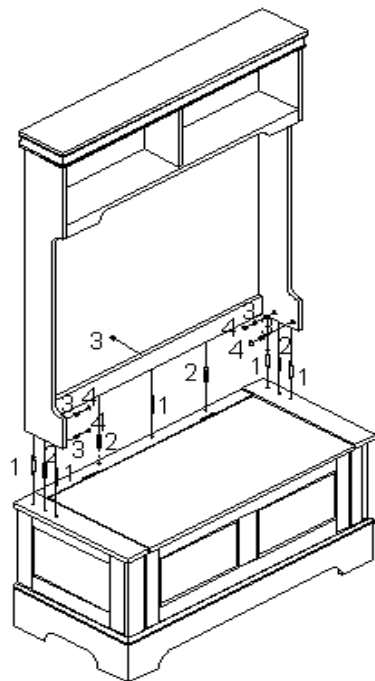


**Figure 7**

Use Screws (5) to connect Storage Lid (L) to the unit from Figure 6.

Connect Safety Lifts (7) & (8) to Storage Lid (L) and the unit from Figure 6 using 8 Screws (11).

Tighten Screws (11) using Phillips screwdriver.



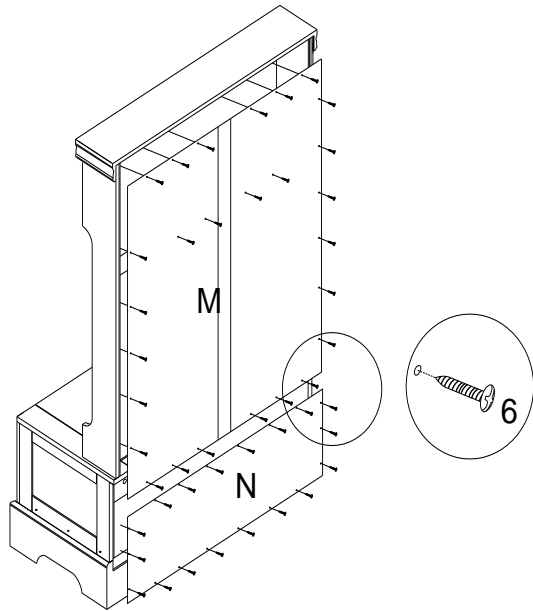
**Figure 8**

Insert Cam Locks (3) into predrilled holes on the unit from the Figure 4. Screw Cam Bolts (1) into predrilled holes on the unit from Figure 7.

Attach the unit from Figure 4 to the unit from Figure 7 by inserting Cam Bolts (1) and Wood Dowels (2) into corresponding holes.

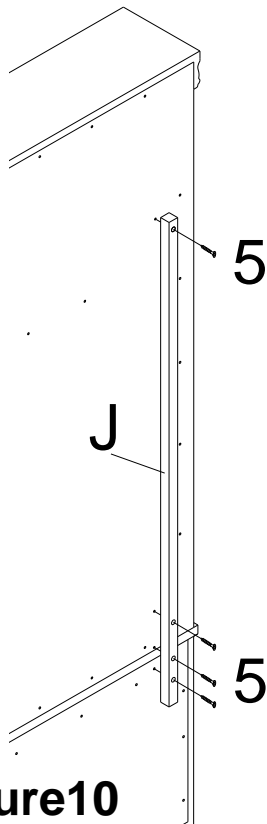
Tighten by rotating Cam Locks (3) clockwise using Phillips screwdriver.

Cover Cam Lock (3) holes with Plastic Covers (4).



Attach the Back Panels (M) & (N) to the back of the unit from Figure 8 using 44 Screws (6). Tighten Screws (6) using Phillips screwdriver.

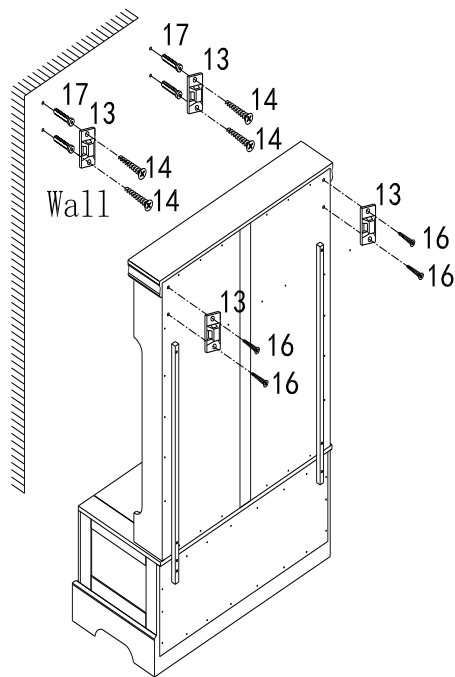
**Figure 9**



Use Flat Head Screws (12) to connect Long Vertical Bars (J) to the unit from Figure 9. Tighten Flat Head Screws (12) using Phillips screwdriver.

**Figure10**





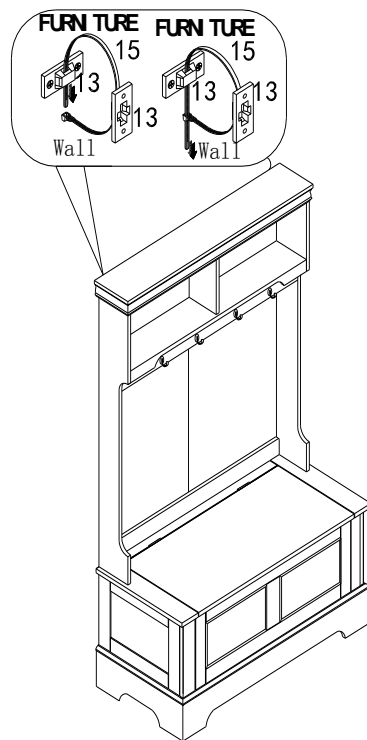
Attach two Brackets (13) to the back of the unit from Figure 10 with Screws (16). Tighten Screws (16) using Phillips screwdriver.

Mark two desired locations on the wall and drill two 3/16" holes.

Insert Anchors (17) into the two holes on wall as shown. Use a hammer to insert the Anchors (17) until they are flush with the wall.

Then attach remaining two Brackets (13) to the wall using Screws (14). Tighten Screws (14) using Phillips screwdriver.

**Figure 11**



Move this item close to the wall Brackets (13) and tie corresponding Brackets (13) together with Zip Tie (15) as shown in Figure 12.

**Anti-tipping hardware must be used for this product to avoid tipping and injury.**

Now your Hall Tree is ready for use!

**Figure 12**

For assistance with assembly or questions contact:  
Wayfair Customer Service, 877-WAYFAIR (877-929-3247) | [www.wayfair.com](http://www.wayfair.com)