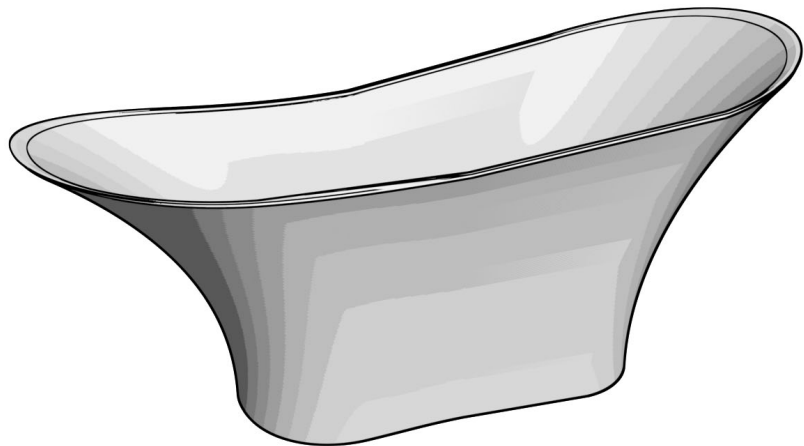


BATHTUB INSTALLATION MANUAL

Installation Instructions, Use, and Care Guide

For questions regarding use, maintenance, and service, please contact us at (626) 453-0550

F-210	F-291
F-224	F-292L
F-245	F-292R
F-248	F-294
F-273	F-295
F-277	F-296A
F-278	F-296B
F-290	F-297
F-770	F-772



DISCLAIMER: Please keep this manual for your records. This bathtub is for residential use only. Bathtub pictured may vary slightly than the one purchased.

Revised: April 2016. Copyright AKDY Imports LLC

TABLE OF CONTENTS

BEFORE YOU BEGIN 1

COMPLIANCE INFORMATION

SAFETY

MAINTENANCE

REPAIR

INSTALLATION REQUIREMENTS 2

TOOLS REQUIRED

MATERIALS REQUIRED

INSTALLATION NOTES

CLEARANCE REQUIREMENTS

SITE REQUIREMENTS

INSTALLATION STEPS 3-4

WARRANTY 5



BEFORE YOU BEGIN

- Please read these instructions carefully to familiarize yourself with the required tools, materials, and installation instructions. Follow the sections that pertain to your particular installation. Doing so will help you avoid costly mistakes. In addition to proper installation, please read all operating and safety instructions.
- Please provide adequate space for the bath unit in accordance with the rough-in. Arrange the location of the drain in advance.
- These instructions contain important care, cleaning, and warranty information.

COMPLIANCE INFORMATION

- AKDY Imports LLC only provides the bathtub. It is the buyer's or installer's responsibility to know if it complies with local state, city, and regulatory laws. It is also the responsibility of the buyer or installer to ensure that the waste drain is made watertight with silicone sealant or caulking compound.

SAFETY

- Please use all necessary safety precautions when using the bathtub.
- Bathtub may become slippery when wet and increase risk of fall or injury.
- Use of handrails or handicap accommodations is highly recommended for seniors or those with disabilities.
- Ensure small children are supervised when using the tub to prevent risk of drowning or injury.
- Pets should not be left within the tub without proper supervision.
- Under no circumstances is AKDY Imports LLC liable for bodily harm or injury stemming from accidental falls or misuse of our bathtub.

MAINTENANCE

- Most dirt will simply wash off with mild soap and water.
- For spots and stains, we recommend using liquid dish washing soap or non-chlorine bleach.
CAUTION: Do not use any industrial strength cleaners or solvents to clean the bathtub surface. Damage to the surface will occur.
- Use calcium remover to only clean chrome surfaces.
CAUTION: Avoid getting calcium remover on the bathtub surface.

REPAIR

- For Minor Scratches & Dulling: Use liquid polishing compound suitable for acrylic.
- For Deep Scratches or Burns: Use very fine sandpaper (at least 1500 grit) in a circular motion covering a wider area greater than the scratch. Always wet the sandpaper with water before sanding. Repeat until the scratch is eliminated. Finally, polish the area with polishing compound to bring back its original shine. Use a soft cloth and a small amount of polish to buff the surface. Repeat as needed.

INSTALLATION REQUIREMENTS

Tools Required

Adjustable Pipe Wrench



Adjustable Wrench



Utility Knife



Pliers



Tape Measure



Leveler



Safety Shoes



Safety Glasses



Screwdriver



Materials Required

Plumbers Putty



Wall Coverings (as necessary)



Silicone Sealant/Cauling



Gypsum Cement (optional)



Construction Adhesive (optional)



Protective Covering for the Bathtub



Nails



INSTALLATION NOTES

- Read the entire installation manual before beginning the installation. If installing a rim-mounted faucet (only on certain models), make sure there is no interference with the overflow drain before drilling any holes.
- Position a protective covering or similar material in the bottom of the unit to protect the bathtub's surface from being scratched.

CLEARANCE REQUIREMENTS

- Measure the area where you intend to install the bathtub to ensure you have adequate space available for the installation.

SITE REQUIREMENTS

Sub-floor Preparation

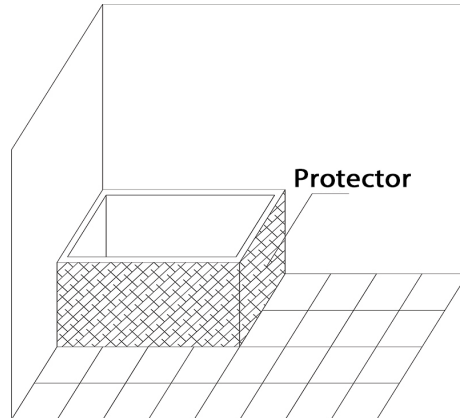
- Check the flooring where the bathtub is going to be installed and make repairs as needed. Make sure the sub-floor is level. It is strongly recommended to prepare a waterproof layer for the sub-floor beforehand.

INSTALLATION STEPS

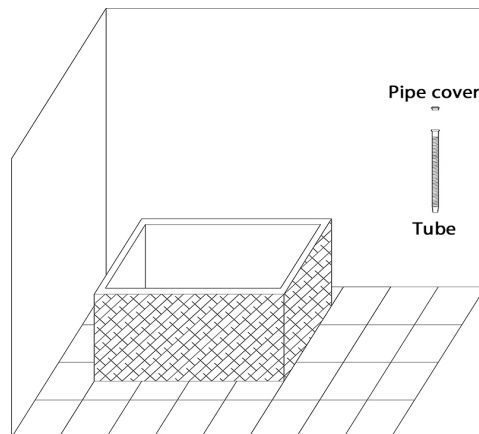
This installation is meant for a certified plumber.

We strongly recommend consulting professional help if assistance is needed.

- 1.) Remove the freestanding bathtub from the wooden crate.
 - To ensure that the freestanding bathtub does not come in contact with rough surfaces and becomes scratched, please remember to always protect it and place it on a soft surface.

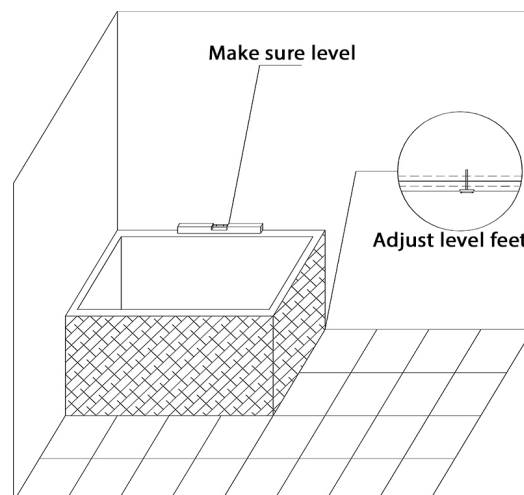


- 2.) Place the freestanding bathtub in the position you plan to install it.

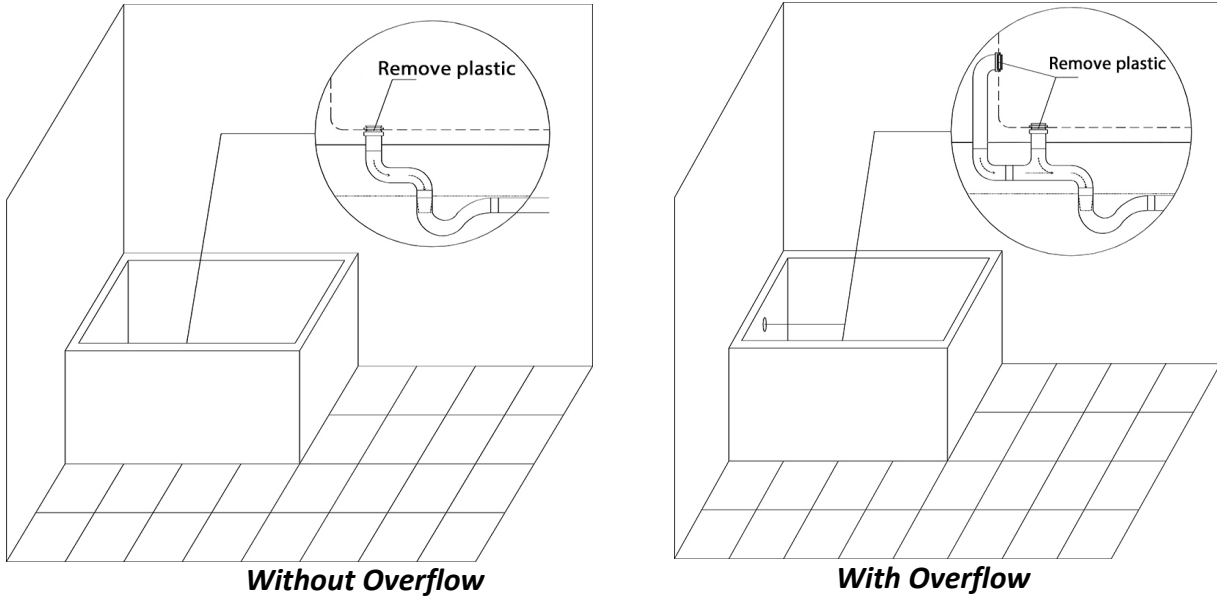


- 3.) Adjust the self-leveling feet until the freestanding bathtub is leveled.

- Ensure that the adjustable feet on the bathtub is level with the floor and the walls of the bathtub. **NOTE:** The freestanding bathtub will only drain properly if it is leveled.

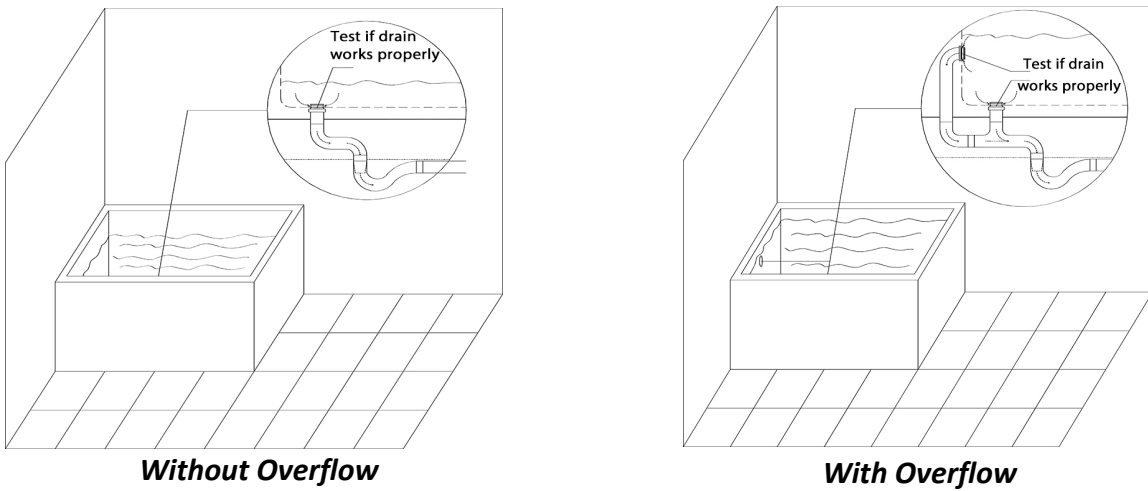


4.) Connect the freestanding bathtub to the waste outlet. Use plumbers putty if applicable.

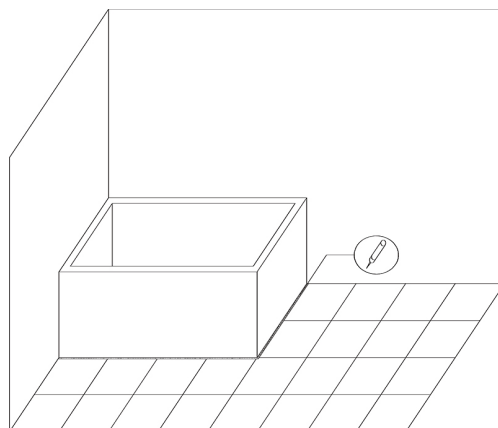


5.) Test the drainage to ensure that the water drains freely.

- Fill the freestanding bathtub with water and check that all the water flows freely to the waste outlet. A small amount of water may pool due to surface tension; this remaining water is normal.
NOTE: Please ensure that all the masking plastic adhered to the drain is removed.



6.) Apply a thick bead of silicone/caulking to the outline of the bathtub and allow it to set for 24 hours.



AKDYUSA.COM BATHTUB WARRANTY

LIMITED WARRANTY

AKDYUSA.com will pay for Factory Specified Parts for one (1) year from the date of purchase, when this major appliance is operated and maintained according to instructions attached to or furnished with the product. This limited warranty is valid only in the United States and Canada, and applies only when the bathtub is used in the country in which it was purchased. This limited warranty does not apply outside of the United States and Canada or when sold by an unauthorized third-party. Proof of original purchase date is required to obtain service under this limited warranty.

ITEMS EXCLUDED FROM WARRANTY

1. Service calls to correct the installation of your major appliance; instruction on how to use your major appliance; replacement or repair of house fuses; or to correct house wiring or plumbing.
2. Consumable parts are excluded from warranty coverage.
3. Repairs when your bathtub is used for anything other than standard, single-family household use or when it is used in a manner that is contrary to published user/operator instructions and/or installation instructions.
4. Damage resulting from accident, alteration, misuse, abuse, fire, flood, acts of God, improper installation, installation not in accordance with electrical or plumbing codes, or use of consumables or cleaning products not approved by ShopRangeHoods.com.
5. Cosmetic damage, including scratches, dents, chips or other damage to the finish of your major appliance, unless such.
6. Costs associated with the removal from your home of your bathtub for repairs. This bathtub is designed to be repaired in the home and only in-home service is covered by this warranty.
7. Repairs to parts or systems resulting from unauthorized modifications made to the appliance.
8. Removal and re-installation of your bathtub if it is installed in an inaccessible location or is not installed in accordance with published installation instructions.
9. Bathtub with original model/serial numbers that have been removed, altered or cannot be easily determined. This warranty is void if the factory applied serial number has been altered or removed from your bathtub. The cost of repair or replacement under these excluded circumstances shall be borne by the customer.

DISCLAIMER OF IMPLIED WARRANTIES: LIMITATION OF REMEDIES

CUSTOMER'S SOLE AND EXCLUSIVE REMEDY UNDER THIS LIMITED WARRANTY SHALL BE PRODUCT REPAIR AS PROVIDED HEREIN. IMPLIED WARRANTIES, INCLUDING WARRANTIES OF MERCHANTABILITY OR FITNESS FOR A PARTICULAR PURPOSE, ARE LIMITED TO ONE YEAR OR THE SHORTEST PERIOD ALLOWED BY LAW. AKDYUSA.COM SHALL NOT BE LIABLE FOR INCIDENTAL OR CONSEQUENTIAL DAMAGES. SOME STATES AND PROVINCES DO NOT ALLOW THE EXCLUSION OR LIMITATION OF INCIDENTAL OR CONSEQUENTIAL DAMAGES, OR LIMITATIONS ON THE DURATION OF IMPLIED WARRANTIES OF MERCHANTABILITY OR FITNESS, THEREFORE THESE EXCLUSIONS OR LIMITATIONS MAY NOT APPLY TO YOU. THIS WARRANTY GIVES YOU SPECIFIC LEGAL RIGHTS, AND YOU MAY ALSO HAVE OTHER RIGHTS WHICH VARY FROM STATE TO STATE OR PROVINCE TO PROVINCE.

If you need service, first see the "Maintenance" and "Repair" sections of the user manual. If you require further assistance after referring to the "Troubleshooting" section, please call or email AKDYUSA.com. In the United States, call (626) 453-0550 or visit our website at AKDYUSA.com. Keep this manual and your invoice for future reference. You must provide proof of purchase for all in-warranty service. Please note down the following information about your major appliance to obtain assistance or service for your records. It is the customer's responsibility to know their complete model and serial number. Product identifiers and serial numbers can be located on the product, packaging, or order invoice.

Name of Dealer or Marketplace: _____

Address: _____

Phone: _____

Model: _____

Serial: _____

Purchase Date: _____

CONTACT US

Email: support@akdyusa.com

Telephone: (626) 453-0550

Hours of Operation: Monday-Friday from 9AM-5PM (PST)