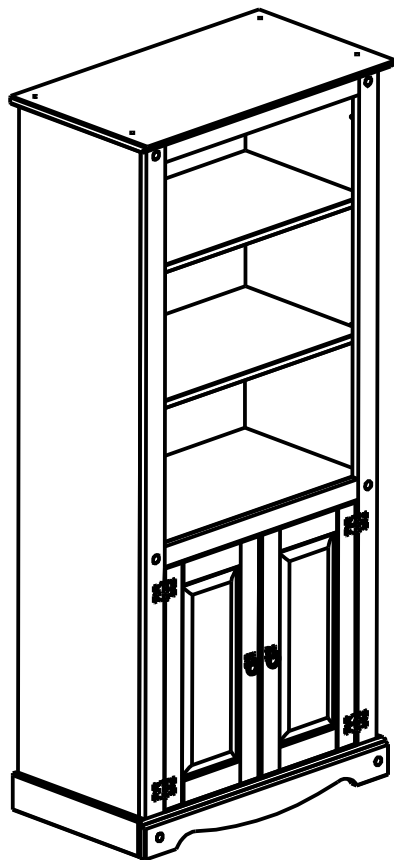


Corona 2 Door Display Unit/Bookcase

ASSEMBLY INSTRUCTIONS



Is for domestic use and strictly not for contract use.

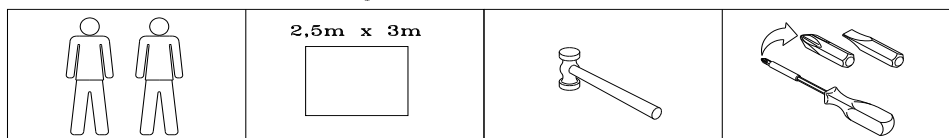
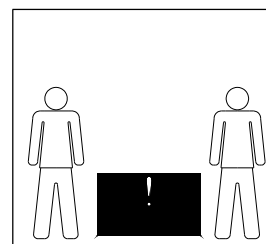
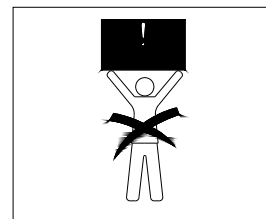
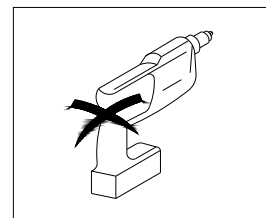
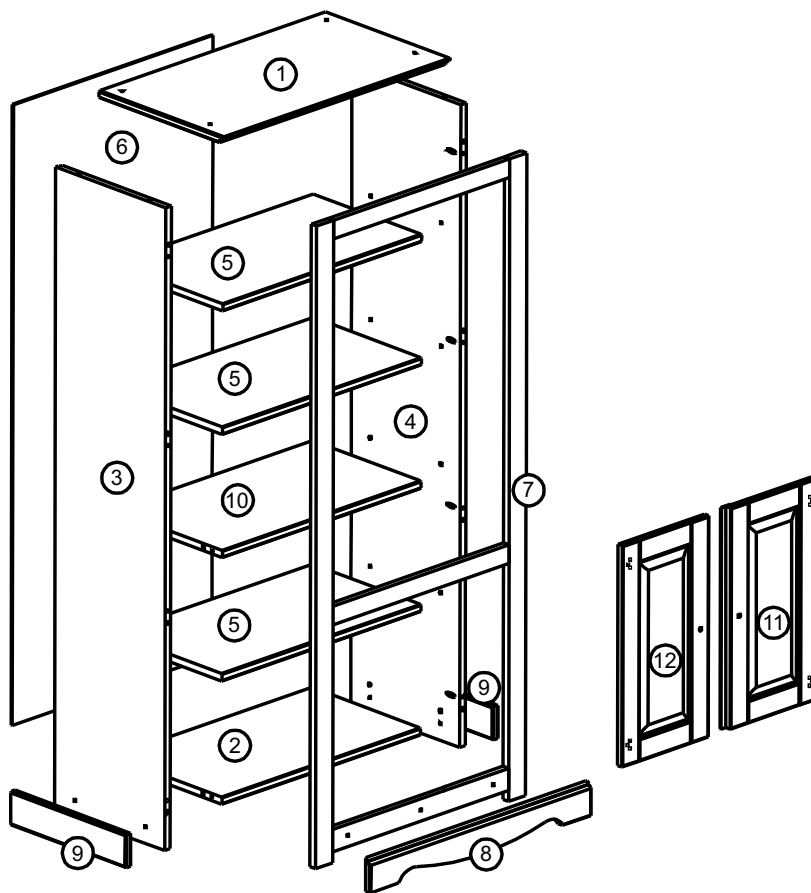
IMPORTANT

PLEASE READ BEFORE YOU CONTINUE FURTHER

CARE AND MAINTENANCE

After unpacking this product please keep the original packaging in case it needs to be returned for any reason.

- Please ensure all fittings and parts are present before commencing with assembly.
- We recommend that you lay a blanket or sheet on the floor to avoid damage to both your floor and the product.
- We strongly recommend that you keep children away from your work area.
- Assemble this product as close to its final position as possible.
- Never drag or push products as this could cause damage to the joints making it inferior.
- Do not place this product next to a radiator or in direct sunlight.
- Wood is a natural product and may expand if subjected to damp and may shrink or crack if subjected to heat. Therefore it is recommended that room temperature is maintained, with no sudden temperature fluctuations.
- Make sure any spillage is wiped off immediately.
- Do not place hot or chilled items directly on to the surface, use a place mat or marking will occur.
- For general cleaning use a duster, and do not use detergents of any kind. However, the surface will need to be retreated from time to time. This can be done by using block wax (unperfumed) and rubbing it over the whole item.
- From time to time it may be necessary to tighten fittings, regular inspections should be carried out.



! Use of power tools to assemble this product will invalidate any claim and damage this product making it unsafe !!!
 * Please assemble on a clean soft surface to avoid damage.

! Please check contents and read the instructions before commencing assembly.
 * Assemble this product following the enclosed instructions carefully.
 * Please take care to avoid damaging panels during assembly.

PARTS LIST

1	Top Panel	01
2	Base	01
3	Left Side Panel	01
4	Right Side Panel	01
5	Adjustable Shelf	03
6	Back Panel	01

7	Frame	01
8	Front Plinth	01
9	Side Plinth	02
10	Fixed Shelf	01
11	Right Door	01
12	Left Door	01

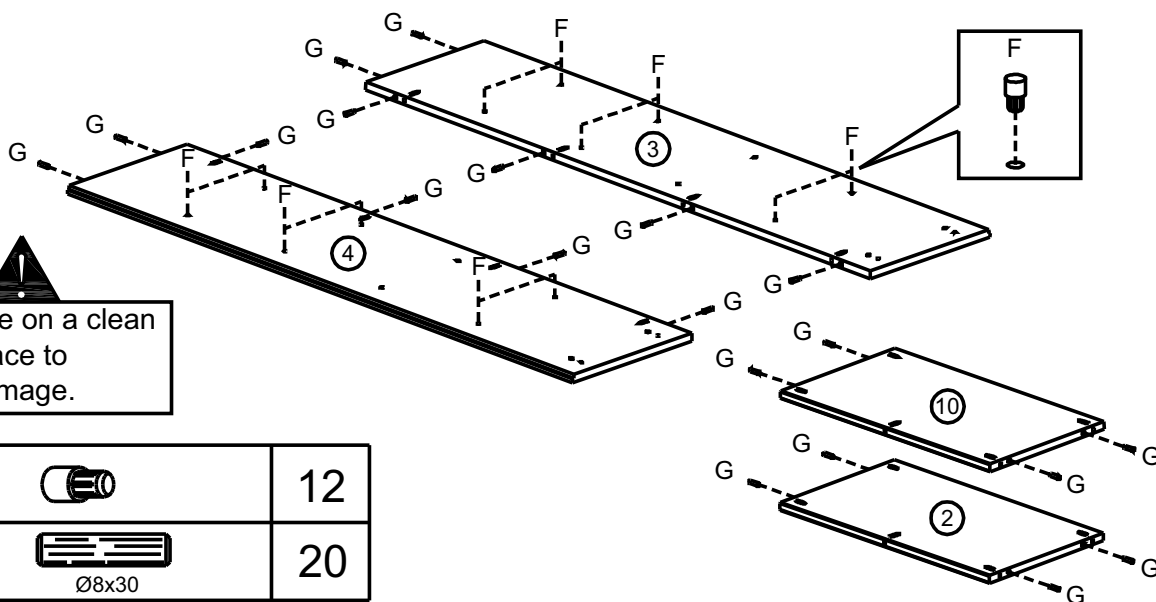
FITTINGS

A	4,0x40	04
B	3,5x30	25
C	3,0x16 - Black	32
D	3/16x5/8	02



E	10x10	40
F		12
G	Ø8x30	20
H	Black	06

I		02
J		04
K		02

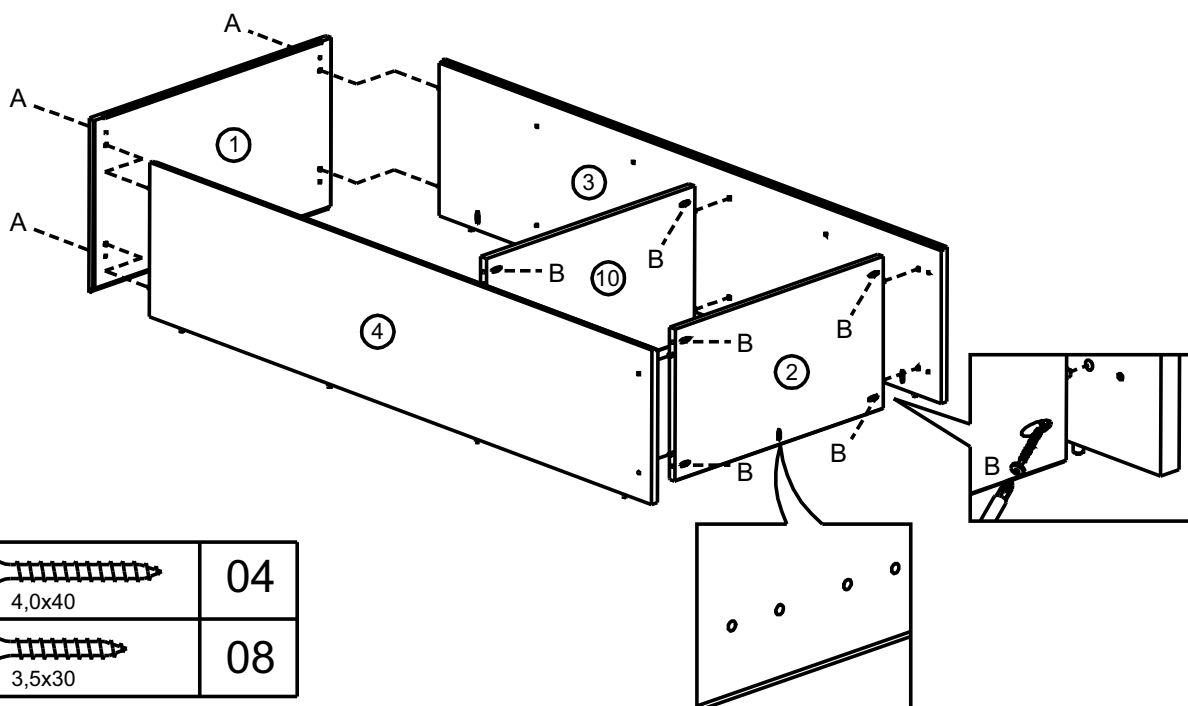
01

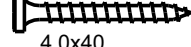
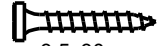


Assemble on a clean soft surface to avoid damage.

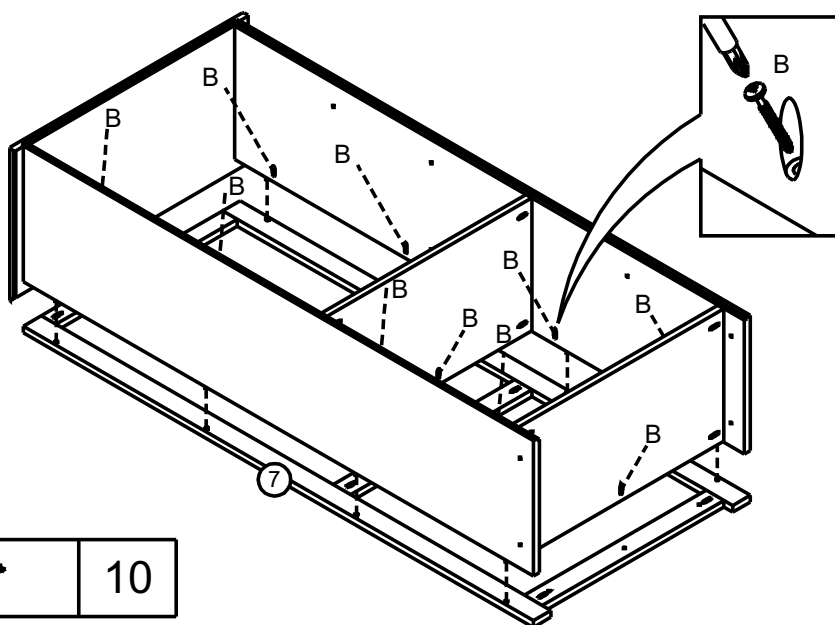
F		12
G	 Ø8x30	20

02

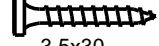


A	 4,0x40	04
B	 3,5x30	08

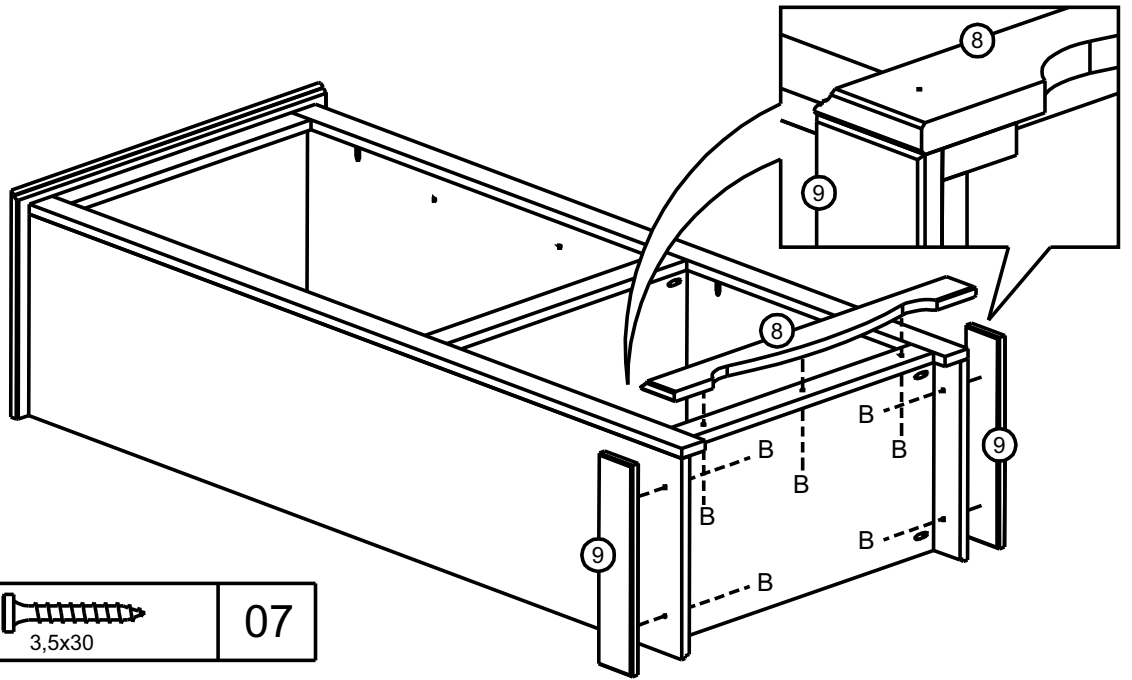
03




Assemble on a clean soft surface to avoid damage.

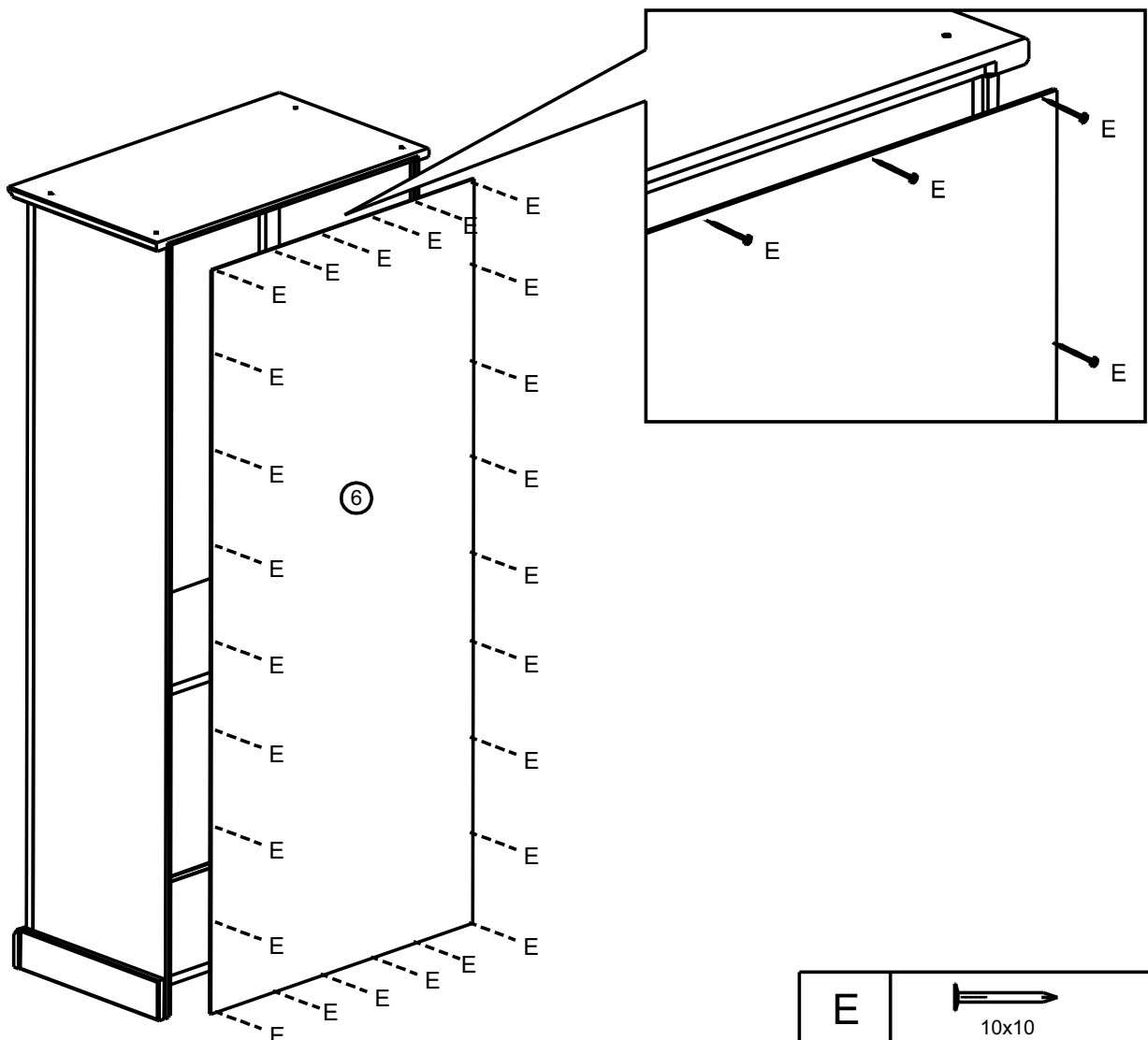
B	 3,5x30	10
---	---	----


04



B	 3,5x30	07
---	--	----

05



E	 10x10	40
---	---	----

06

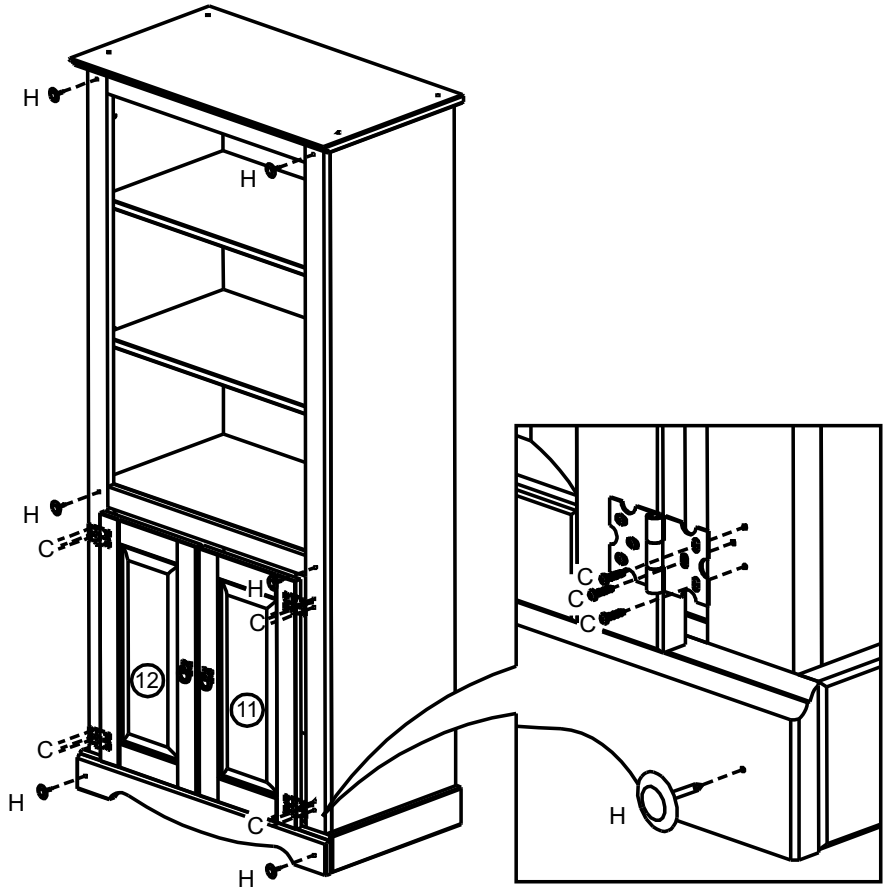
Assemble on a clean soft surface to avoid damage.


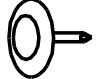
C	3,0x16 - Black	16	J		04
D	3/16x5/8	02	K		02
I		02			

07

C	3,0x16 - Black	04
K		02

08



C	 3,0x16 - Black	12
H	 Black	06

