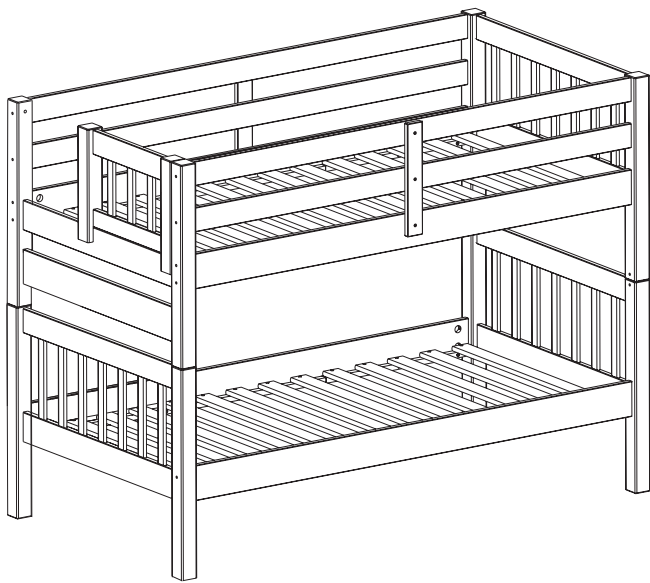




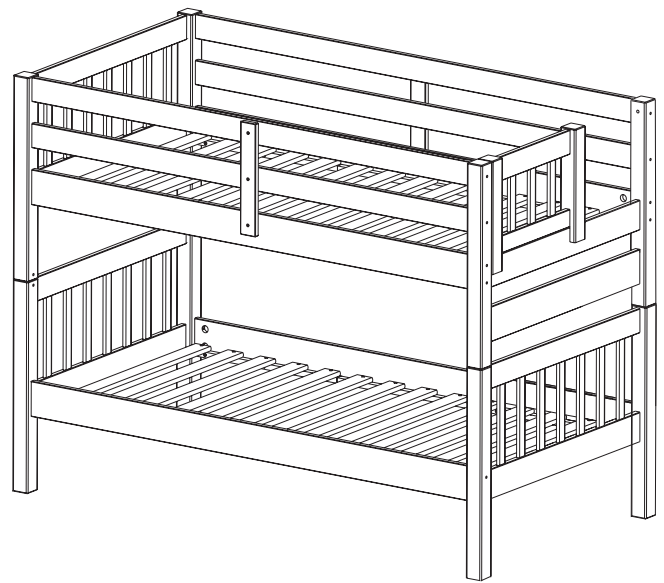
Bunk Beds Twin over Twin Stairway

Bedz King BK - 906

LEFT



RIGHT



Thank you for purchasing your Furniture from Bedz King.

Every effort has been made to ensure your Furniture is of the finest quality. If you have any questions, please do not hesitate to contact us at info@bedzking.com

**READ THESE INSTRUCTIONS CAREFULLY BEFORE
ATTEMPTING TO ASSEMBLE THIS BED**

SAFETY WARNINGS AND GENERAL NOTES

- ✓ Follow the information on the warning labels on the upper bunk bed structure and on the carton. Do not remove warning label from the bed.
- ✓ Always use the recommended size mattress or mattress support, or both, to help prevent the likelihood of entrapment or falls.
- ✓ The top surfaces of the mattress must be at least 5" below the upper edge of the guardrails.
- ✓ **Do not** allow children under 6 years of age to use the upper bunk.
- ✓ **Prohibit** more than one person on the upper bunk.
- ✓ Periodically check and ensure that the guardrails, ladder and other components are in their proper position, free from damage, and that all connectors are tight.
- ✓ **Do not** allow horseplay on or under the bed. Always prohibit jumping on the bed.
- ✓ Always use the ladder for entering and leaving the upper bunk.
- ✓ **Do not** use substitute parts. Contact the manufacturer or dealer for replacement parts.
- ✓ Use of a night-light may provide added safety for a child using the upper bunk.
- ✓ If the bunk bed will be placed next to the wall, the guardrail that runs the full length of the bed should be placed against the wall to prevent entrapment between the bed and the wall.
- ✓ Always use guardrails on both long sides of the upper bunk.
- ✓ The use of a water or sleep floatation mattress is prohibited.
- ✓ Keep these instructions for future reference.
- ✓ We recommend assembling your bunk bed on the shipping carton to protect your floor or carpet. Be certain all staples are out of the box before beginning assembly on the shipping carton.
- ✓ **Strangulation Hazard** Never attach or hang items to any part of the bunk bed that are not designed for use with the bed for example, but not limited to hooks, belts, and jump ropes.

Pursuant to the Consumer Product Safety Improvement Act (CPSIA) Sec. 102 the manufacturer certifies compliance with the Consumer Product Safety Commission (CPSC) regulations listed below.

**** Product Information ****
BK 906 (Stairway) BK 906EL (End Ladder)
BUNK BED -
 Date of Manufacture: **Made in Brazil**

Manufactured by:
 Bask King LLC
 818 111th Street
 Arlington, TX 76011
 Children's Product Certificates available at www.baskking.com/cpsc/cpsclabel

Custodian of Test Records:
 Manager of Compliance and Testing
 Bask King LLC
 818 111th Street
 Arlington, TX 76011

Testing performed at one or more of the following independent testing locations:

Date	Testing Location	Regulation
January - April 2014	Armstrong	16 U.S.C. § 1278a
November 2014	Armstrong	16 CFR 1203
March 2014	Diversified	ASTM F 1427-13
March 2014	Diversified	16 CFR 1213 and 16 CFR 1613

Armstrong Forensic Laboratory
 300 Loomis Street Trail
 Arlington, TX 76012

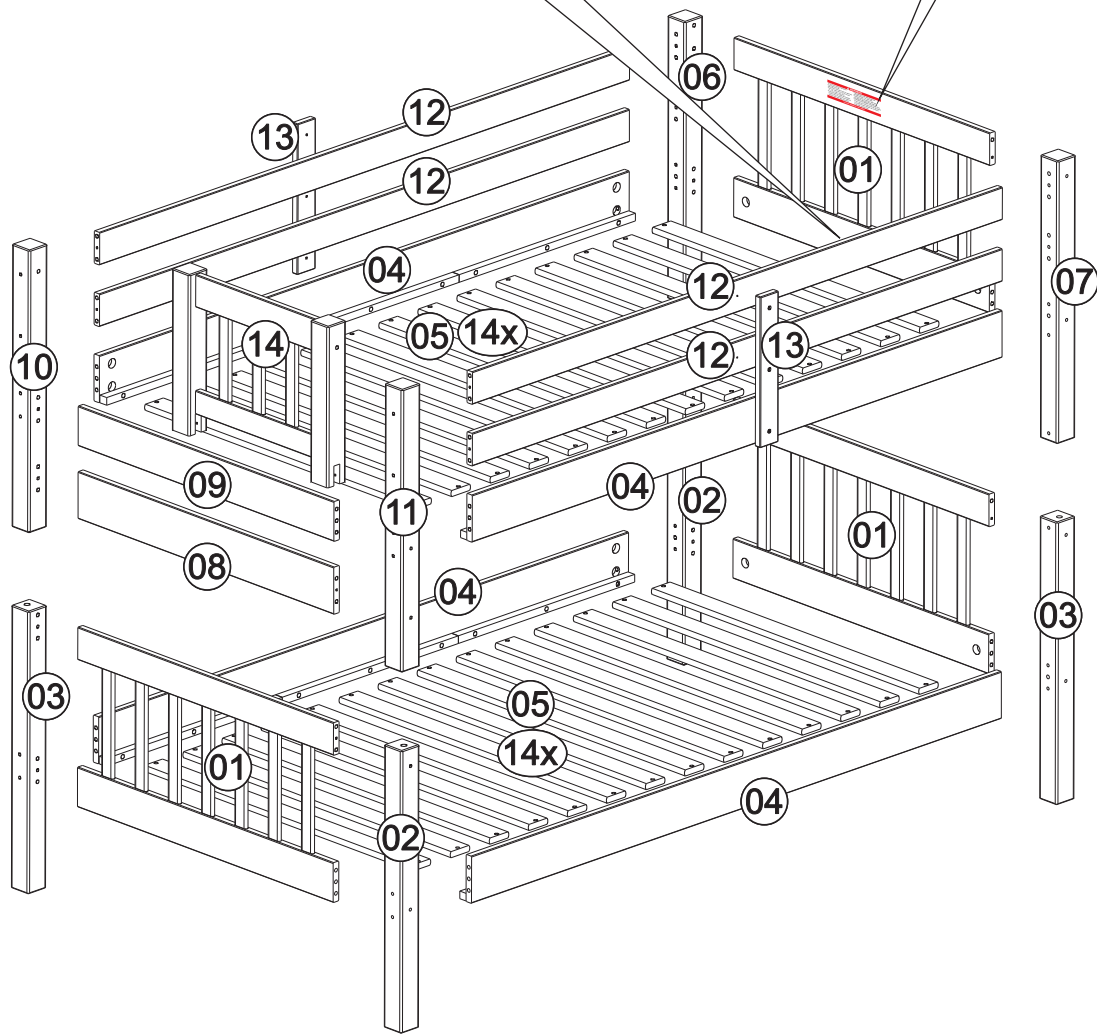
Diversified Testing Laboratories Inc.
 336 West Front Street
 P.O. Box 4006
 Burlington, NC 27215

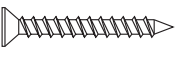


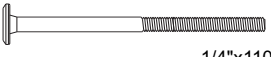
WARNING





To help prevent serious or fatal injuries from entrapment or falls:

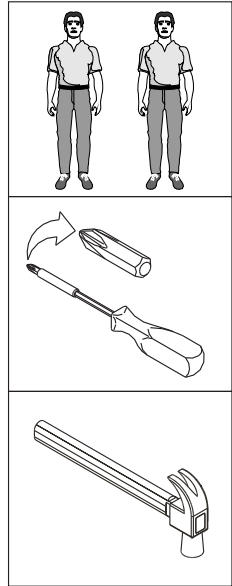
- Use guardrails on both sides of upper bunk.
- Prohibit hanging on or under bed (s).
- Prohibit more than one person on upper bunk.
- Never allow a child under 6 years on upper bunk.
- Use only mattress which is 74" - 75" long and 37 1/2" - 38 1/2" wide on upper bunk.
- Use ladder for entering and leaving upper bunk.
- STRANGULATION HAZARD - Never attach or hang items to any part of the bunk bed that are not designed for use with the bed for example, but not limited to hoola hoops and jump ropes.

DO NOT REMOVE THIS LABEL

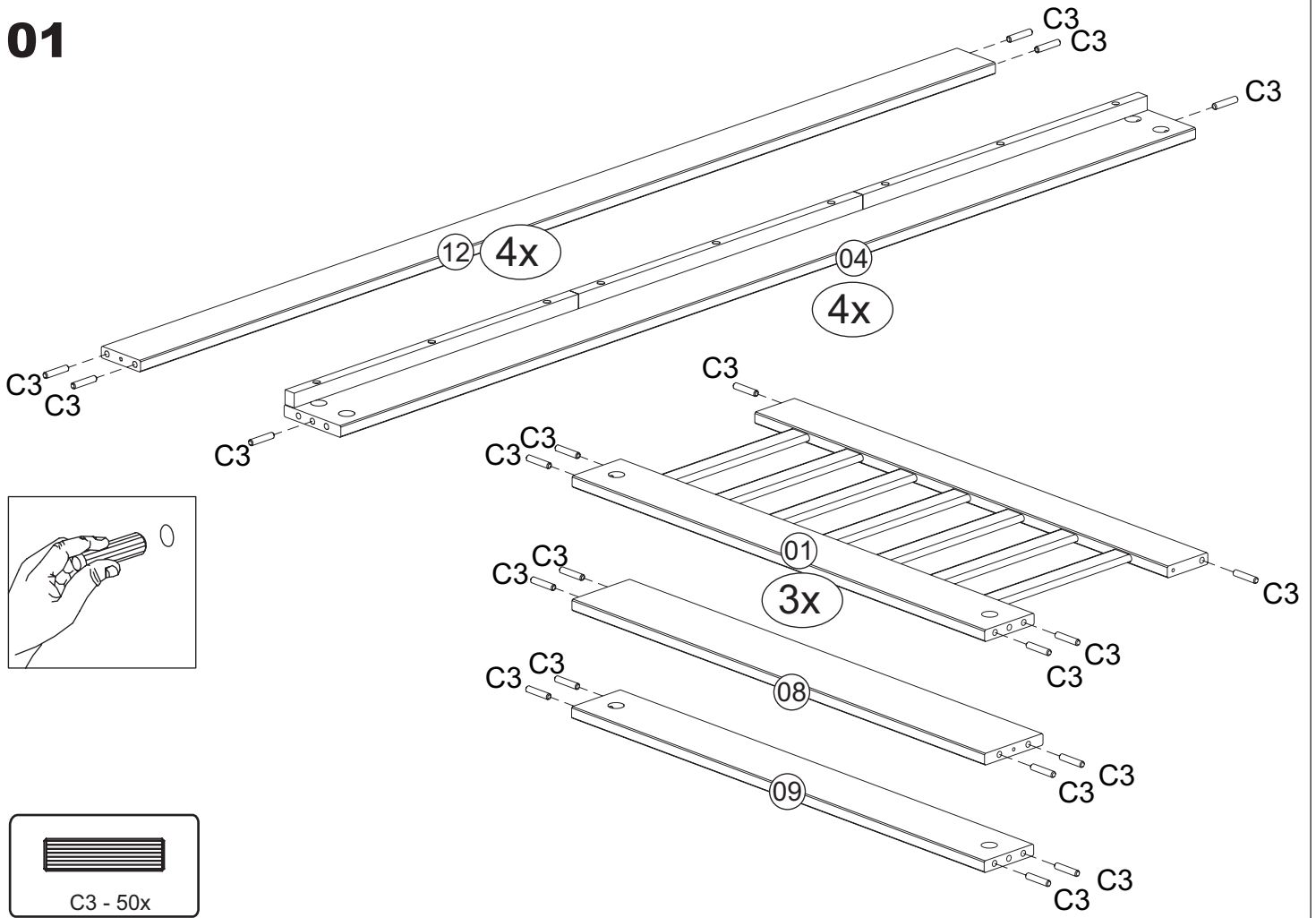


A10		3,5x30	74
B1		7,0x100	16
B5		1/4"	24
B7		1/4"x110	24

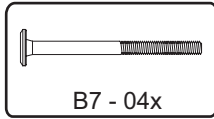
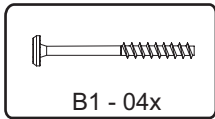
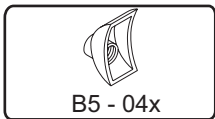
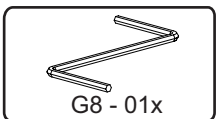
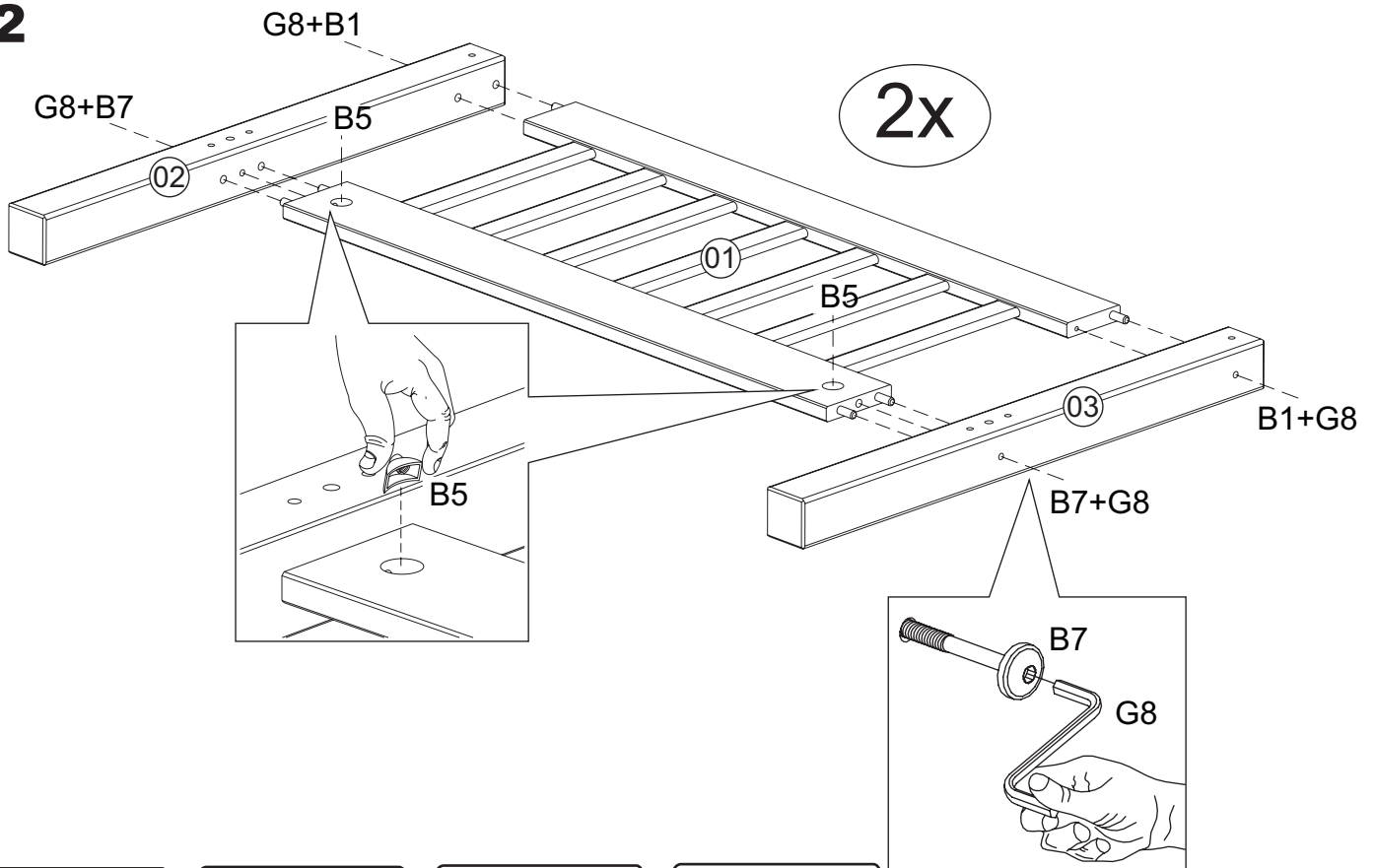
C3		10x40	51
C5		15x90	04
G4		space block	02
G8			01



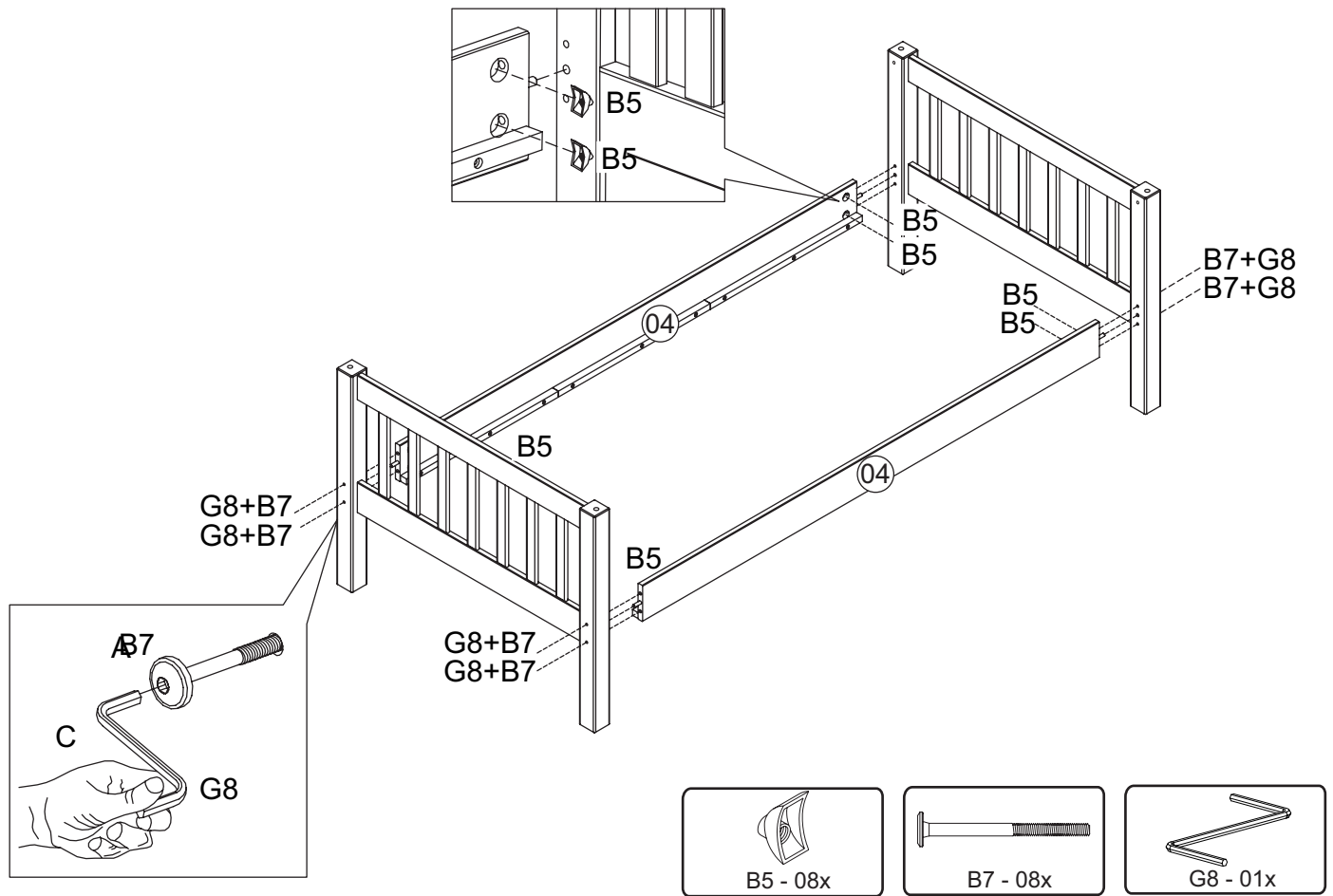
01



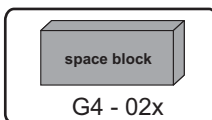
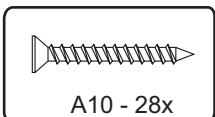
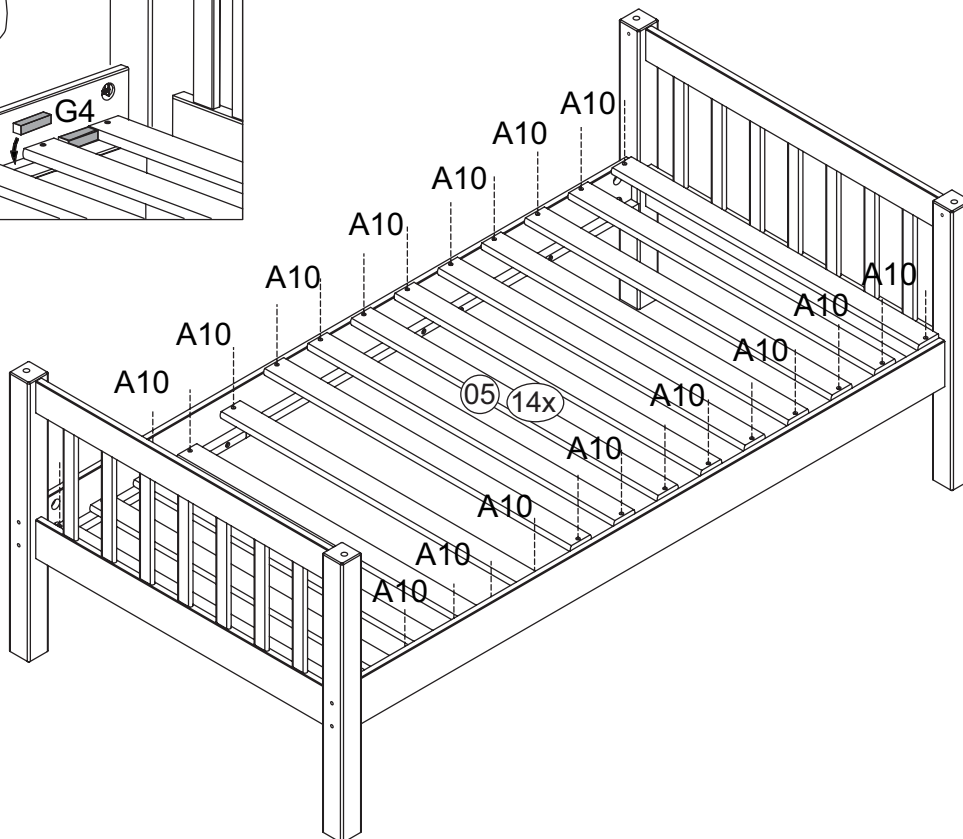
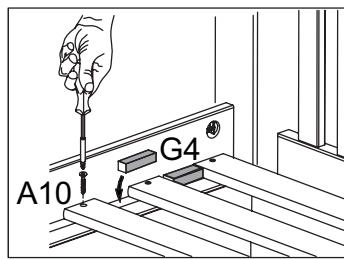
02



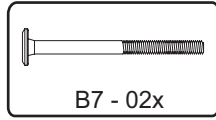
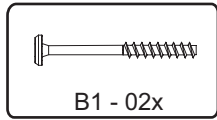
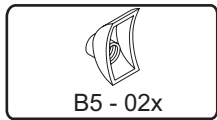
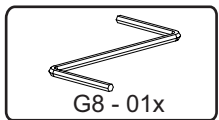
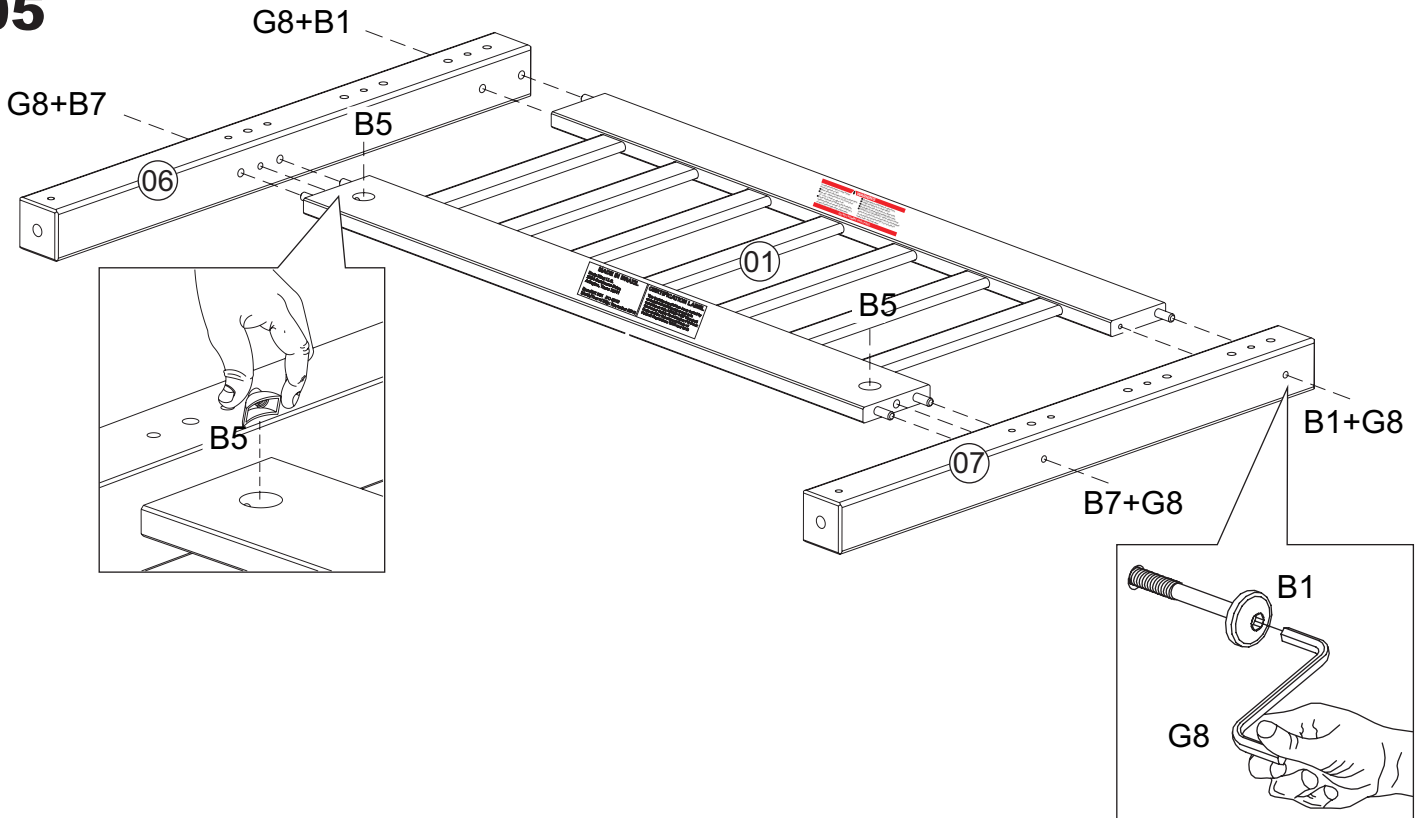
03



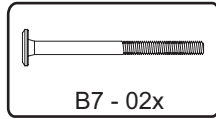
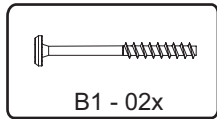
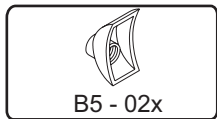
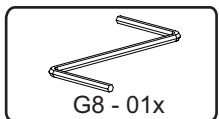
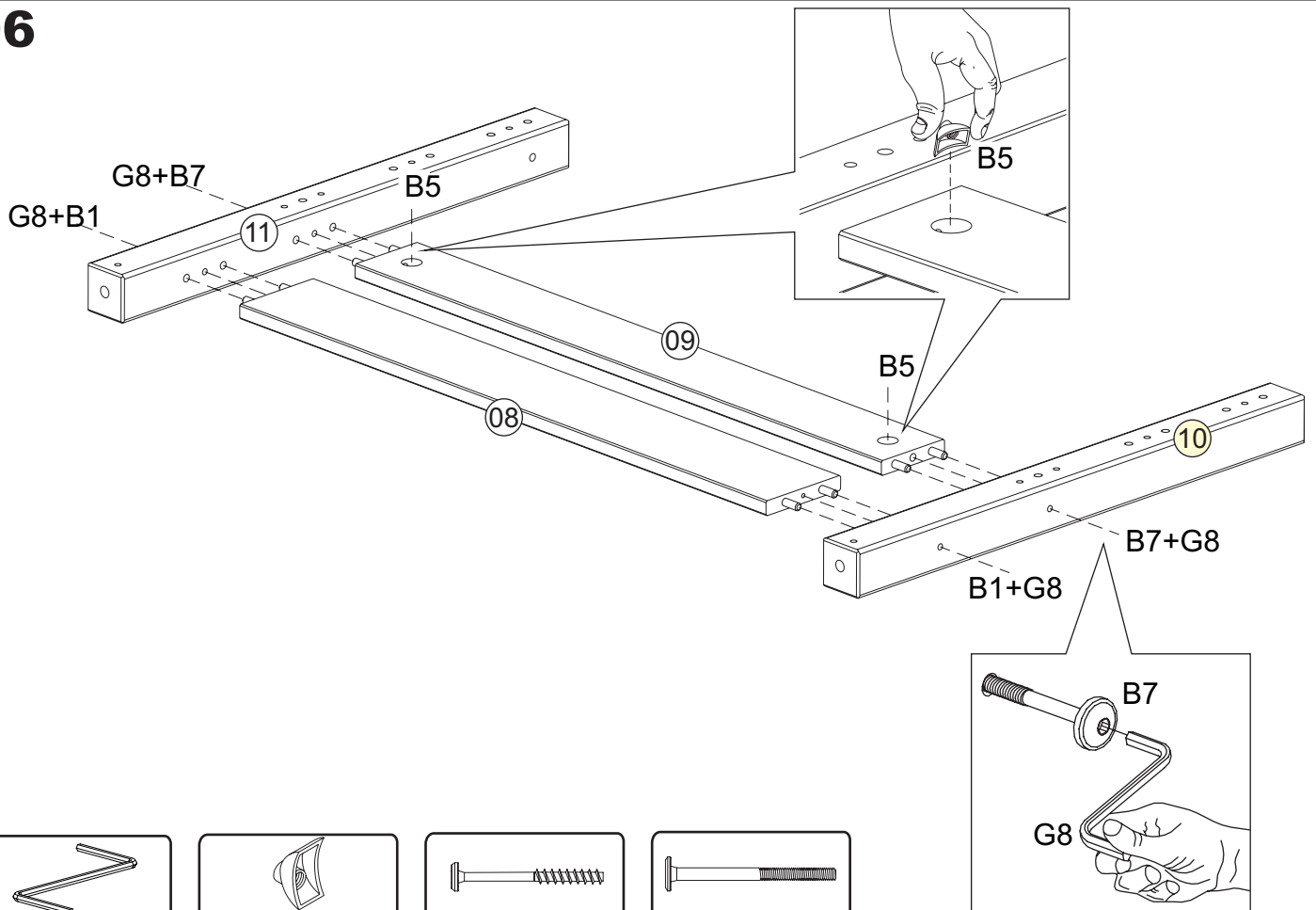
04



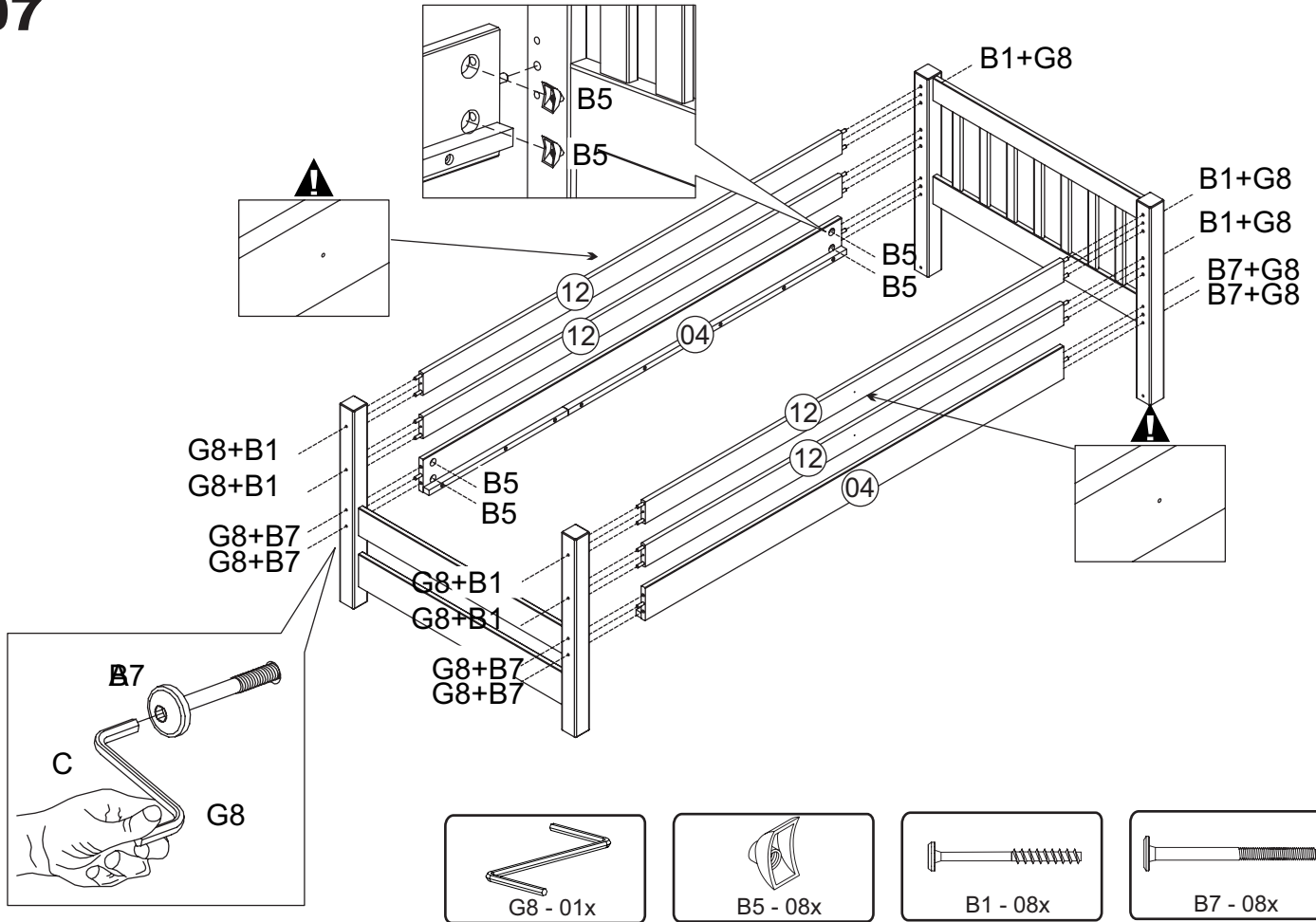
05



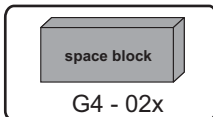
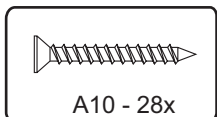
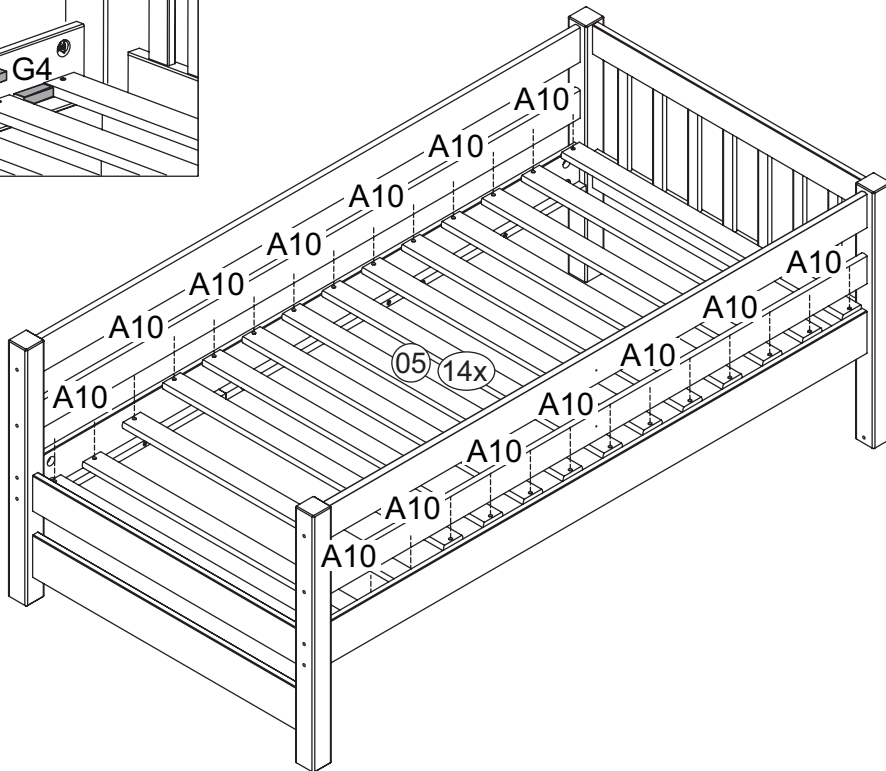
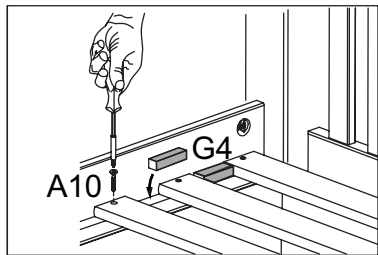
06



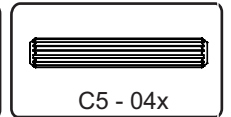
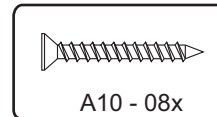
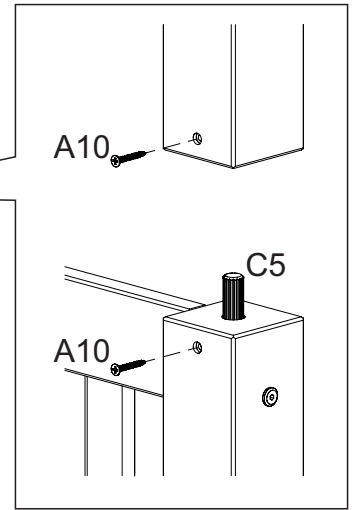
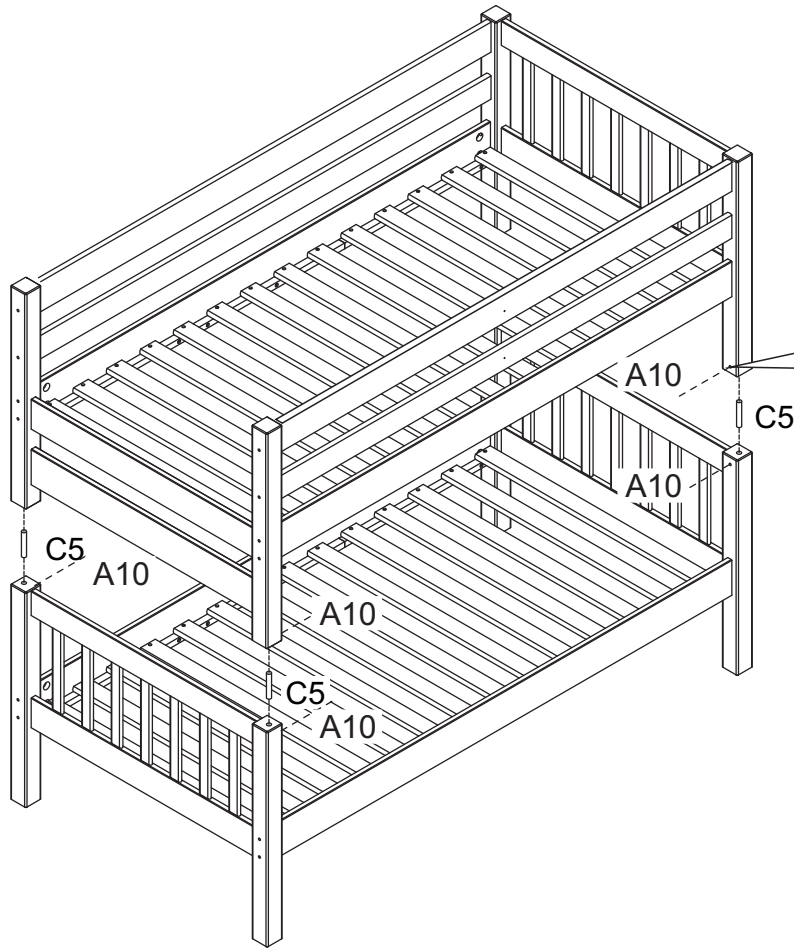
07



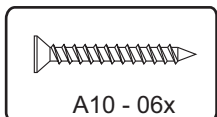
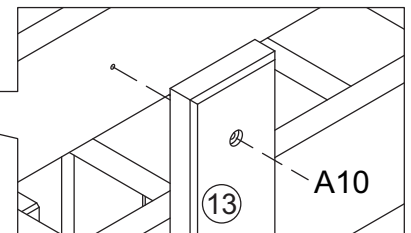
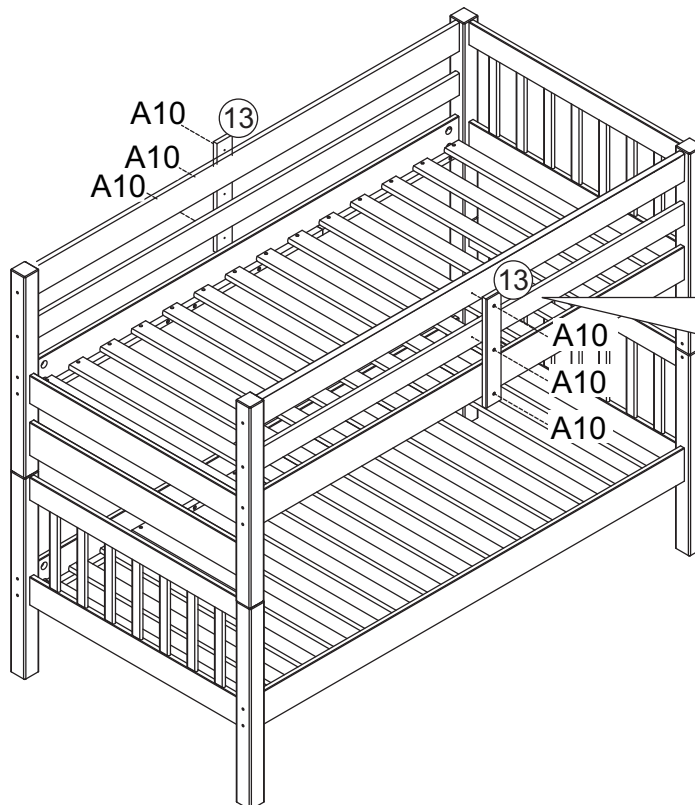
08



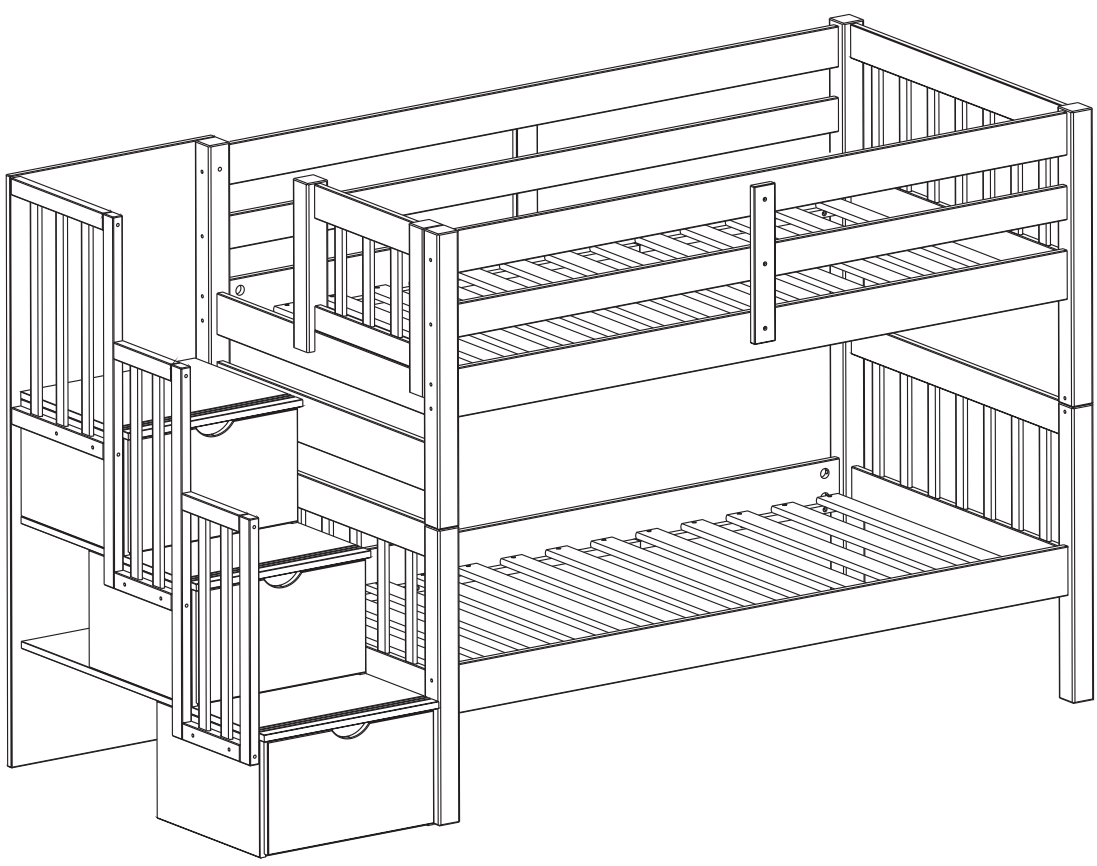
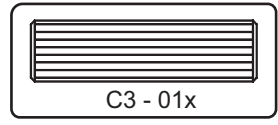
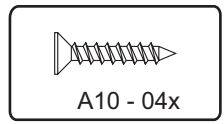
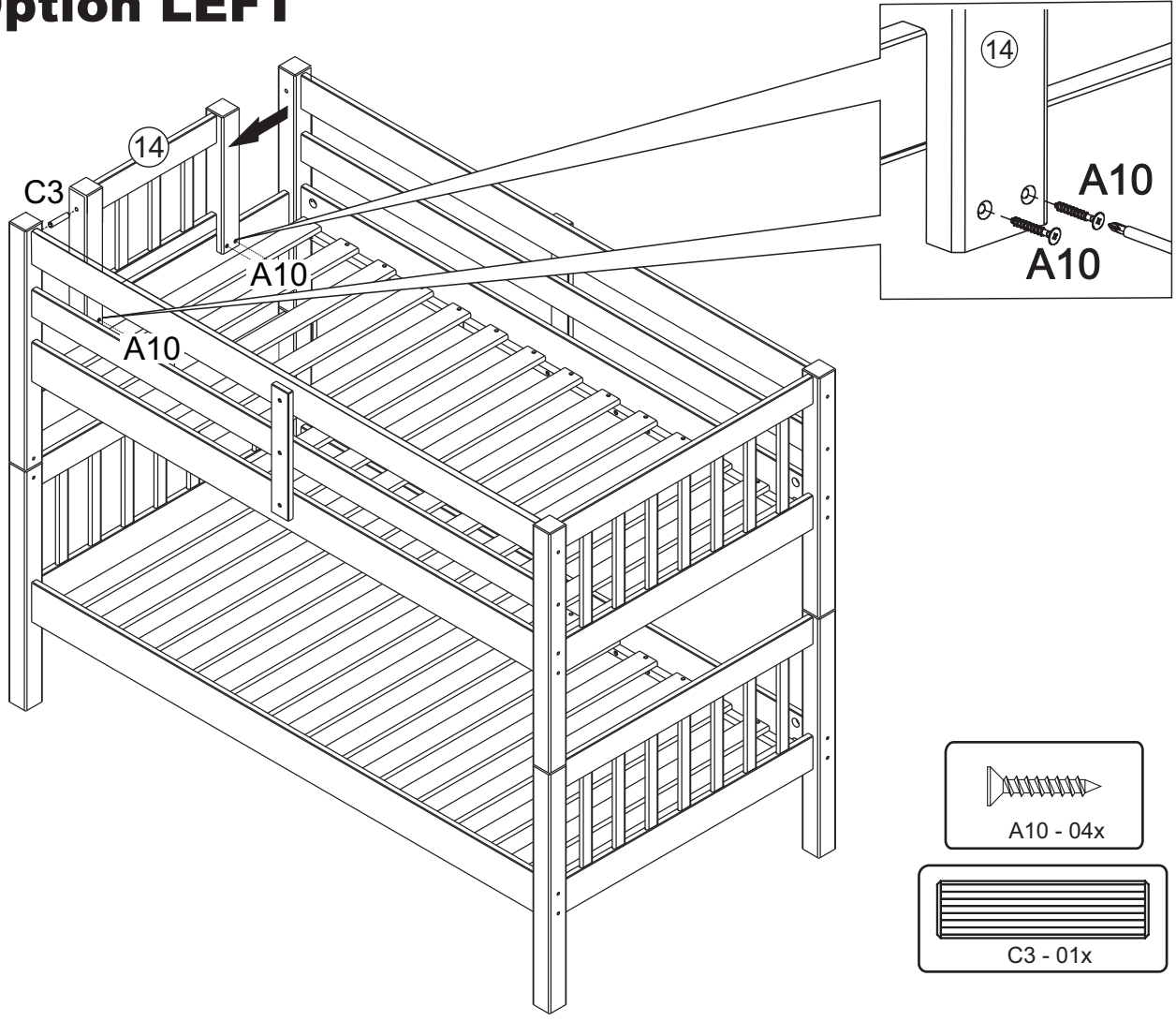
09



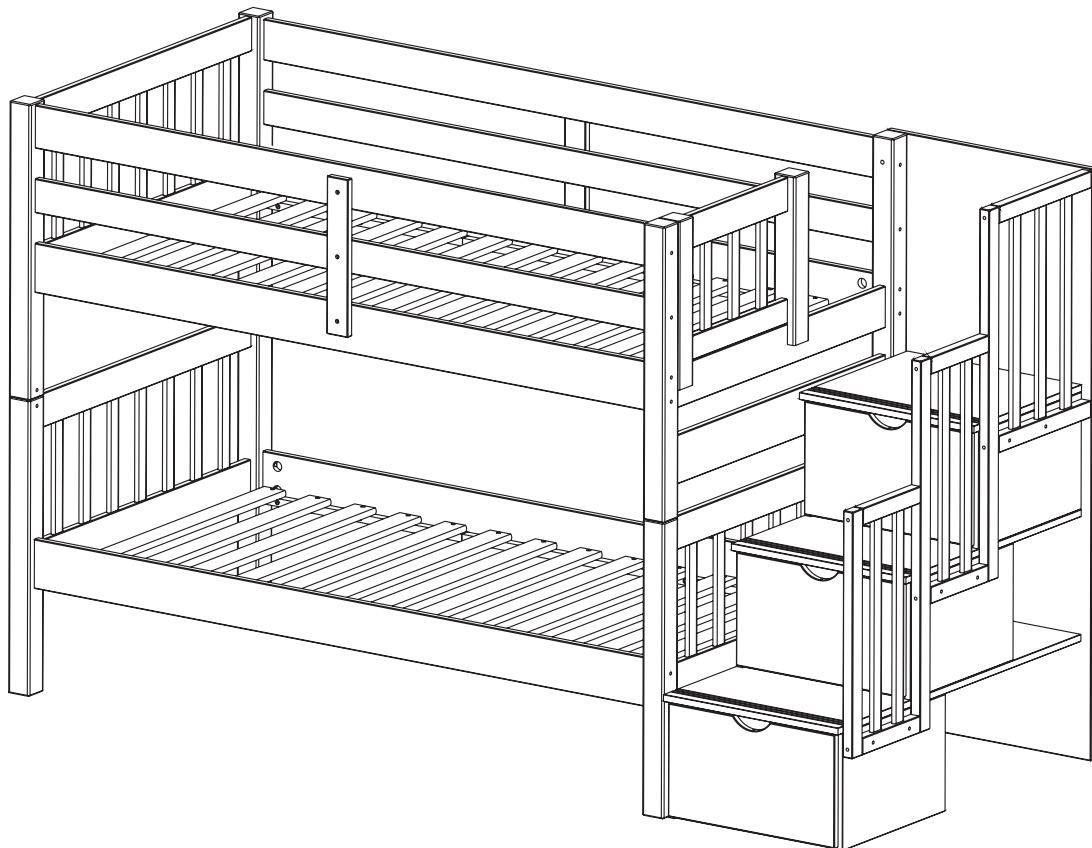
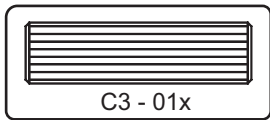
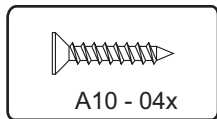
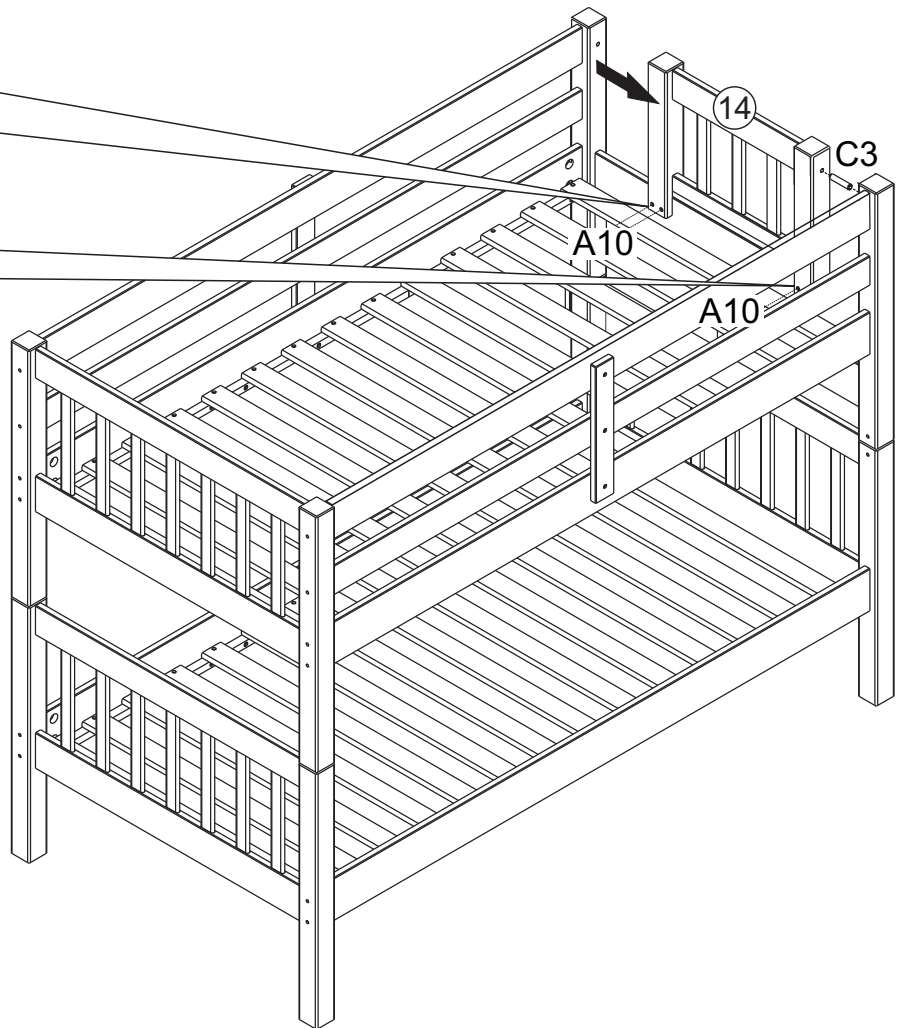
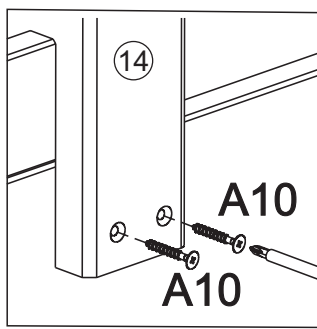
10



11- Option LEFT



11 - Option RIGHT



BEDDING SPECIFICATION

- Always use the recommended size mattress or mattress support or both, to help prevent the likelihood of entrapment or falls.
- All Bedz King bunk beds are supplied with a complete slat kit, so there is no need for a foundation or bunkie board.

BED MATTRESS SPECIFICATIONS

Upper Bunk: Only use a mattress that is 74" - 75" long and 37 1/2" - 38 1/2" wide on the upper bunk.

- Ensure thickness of mattress and foundation combined does not exceed 9".

Lower Bunk: Only use a mattress that is 74" - 75" long and 37 1/2" - 38 1/2" wide on the lower bunk.

REPLACEMENT PARTS

- Replacement parts, including additional guardrails may be obtained by contacting Bedz King LLC at info@bedzking.com
- Guard rails are not available for the lower bunk. This bunk bed is not designed or certified to have guard rails installed on the lower bunk.

ASSEMBLY TIPS

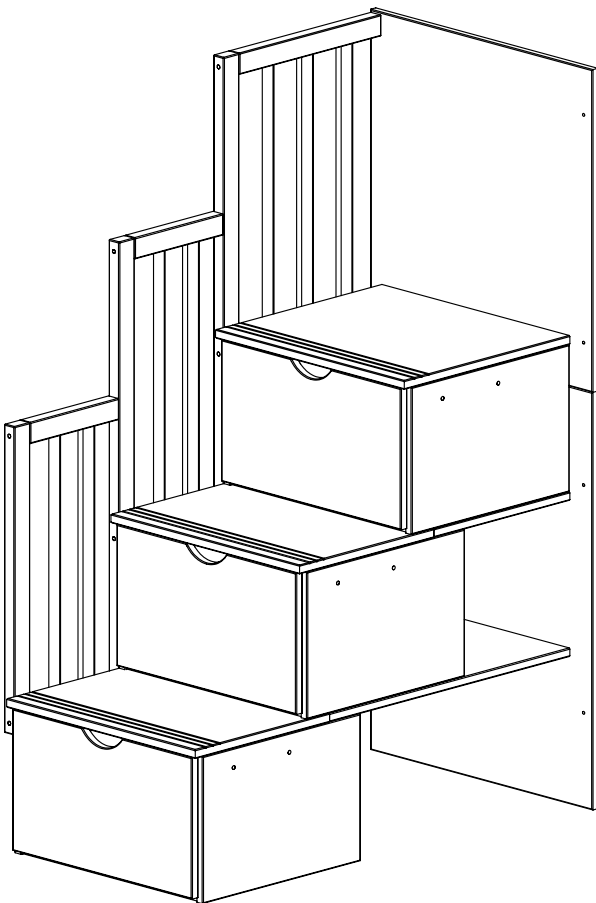
- Power tools are not recommended for assembling your furniture.
- Give yourself plenty of room to work.
- Due to the size of this bunkbed, it must be assembled within the space it will occupy.
- The assembly will require at least two people to complete.
- Make sure all the fasteners are tight.
- Take your time and read the instructions carefully.



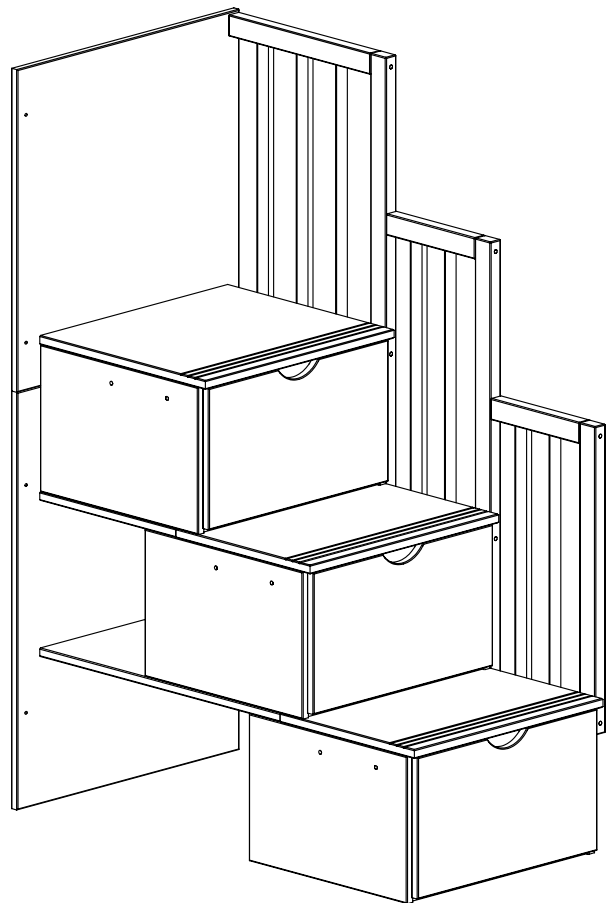
Stairway

Bedz King BK - 76

LEFT



RIGHT



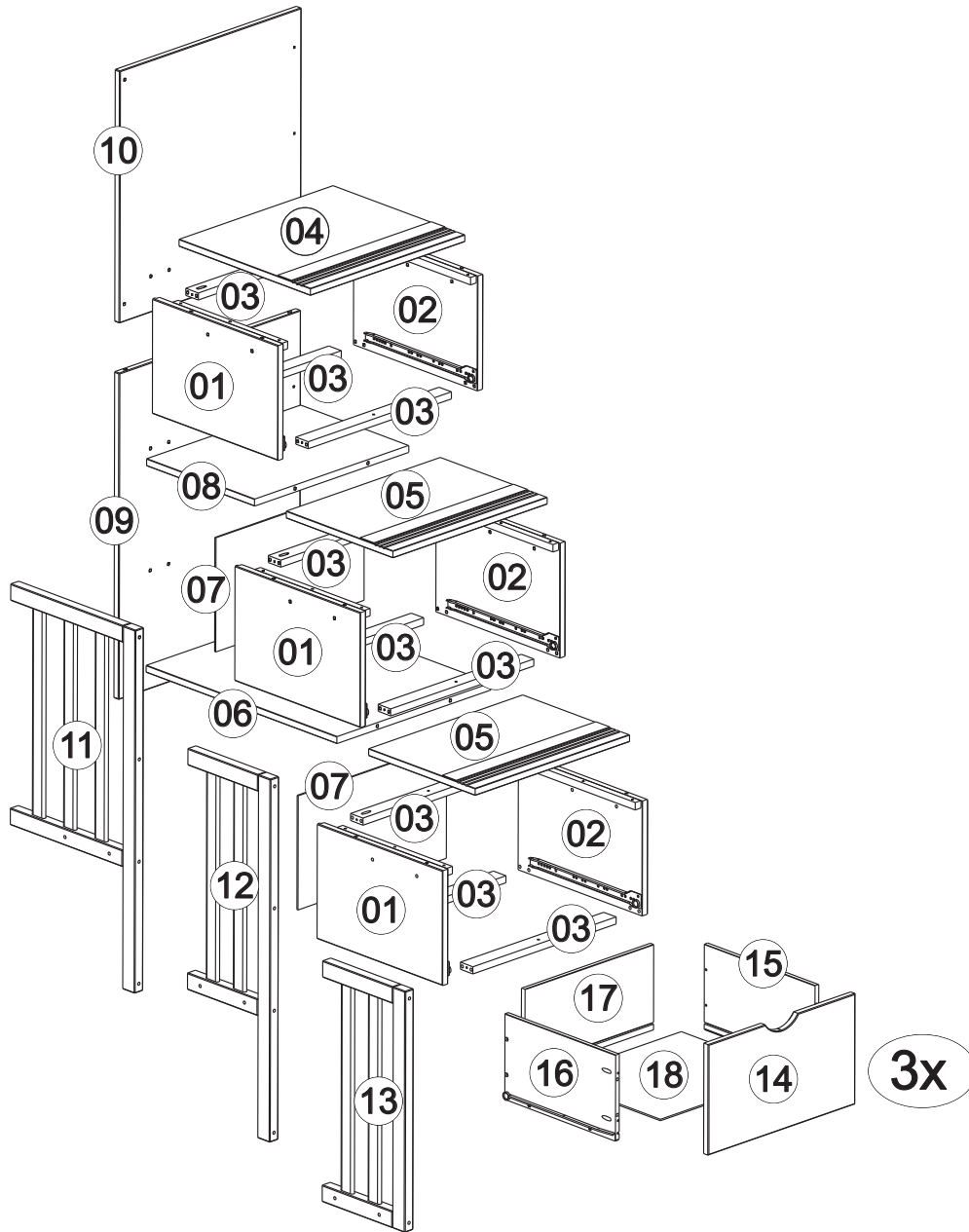
Thank you for purchasing your Furniture from Bedz King.

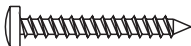

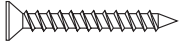

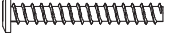



Every effort has been made to ensure your Furniture is of the finest quality. If you have any questions, please do not hesitate to contact us at info@bedzking.com



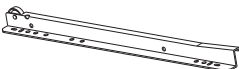
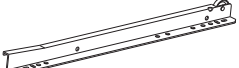


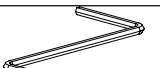
**READ THESE INSTRUCTIONS CAREFULLY BEFORE
ATTEMPTING TO ASSEMBLE THIS BED**

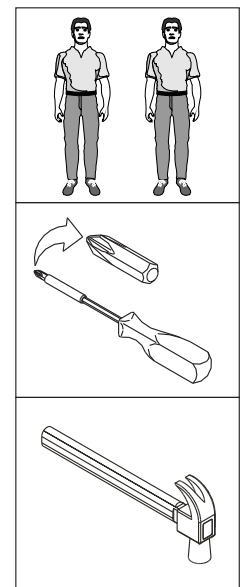
SAFETY WARNINGS AND GENERAL NOTES

- ✓ Follow the information on the warning labels on the upper bunk bed structure and on the carton. Do not remove warning label from the bed.
- ✓ Always use the recommended size mattress or mattress support, or both, to help prevent the likelihood of entrapment or falls.
- ✓ The top surfaces of the mattress must be at least 5" below the upper edge of the guardrails.
- ✓ **Do not** allow children under 6 years of age to use the upper bunk.
- ✓ **Prohibit** more than one person on the upper bunk.
- ✓ Periodically check and ensure that the guardrails, ladder and other components are in their proper position, free from damage, and that all connectors are tight.
- ✓ **Do not** allow horseplay on or under the bed. Always prohibit jumping on the bed.
- ✓ Always use the ladder for entering and leaving the upper bunk.
- ✓ **Do not** use substitute parts. Contact the manufacturer or dealer for replacement parts.
- ✓ Use of a night-light may provide added safety for a child using the upper bunk.
- ✓ If the bunk bed will be placed next to the wall, the guardrail that runs the full length of the bed should be placed against the wall to prevent entrapment between the bed and the wall.
- ✓ Always use guardrails on both long sides of the upper bunk.
- ✓ The use of a water or sleep floatation mattress is prohibited.
- ✓ Keep these instructions for future reference.
- ✓ We recommend assembling your bunk bed on the shipping carton to protect your floor or carpet. Be certain all staples are out of the box before beginning assembly on the shipping carton.
- ✓ **Strangulation Hazard** Never attach or hang items to any part of the bunk bed that are not designed for use with the bed for example, but not limited to hooks, belts, and jump ropes.

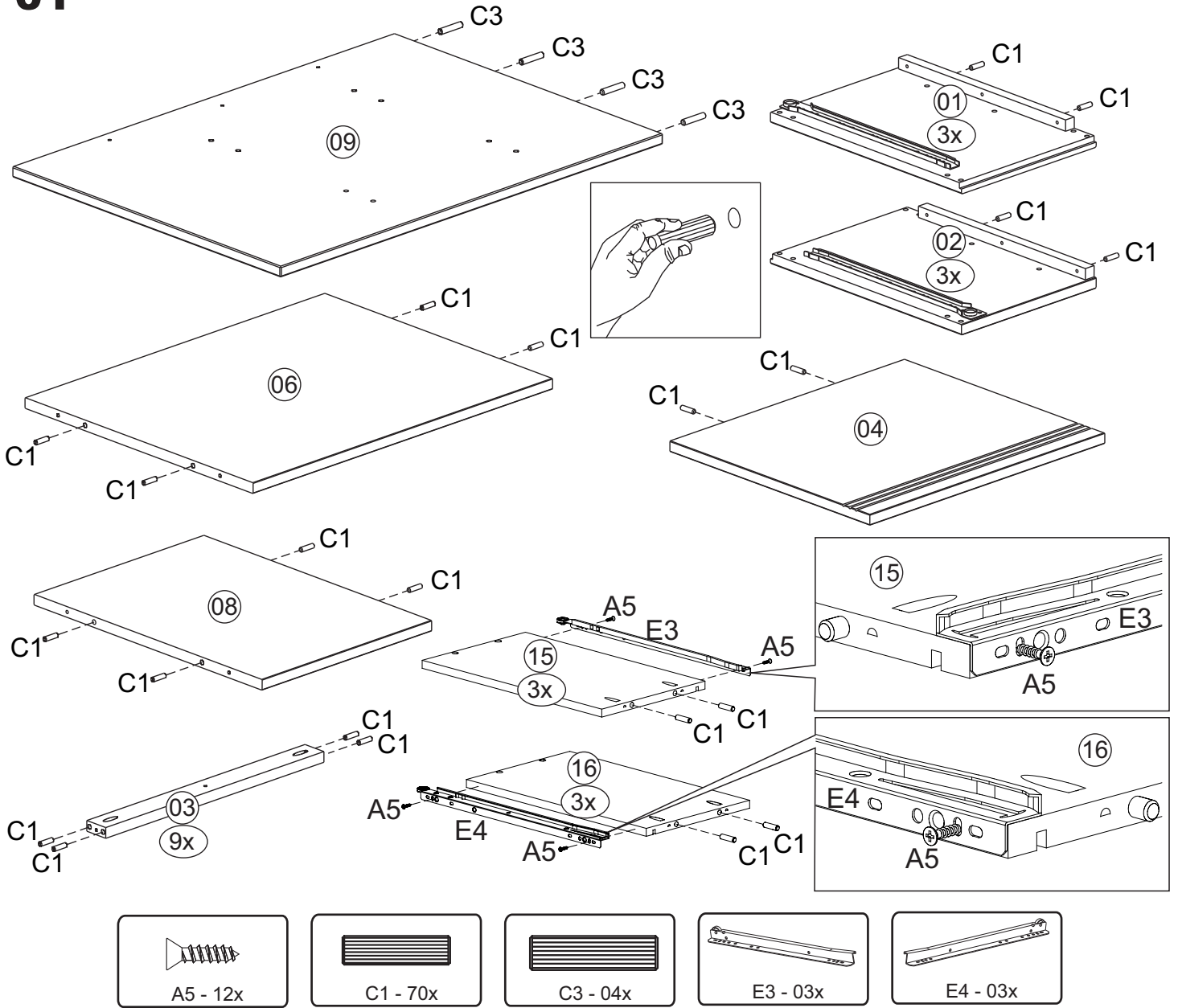


A1		4,0x30	30
A5		3,5x16	14
A10		3,5x30	35
A16		4,0x40	06
B8		7,0x50	08
B19		7,0x70	04
B20		1/4"x50	06
C1		8x30	70

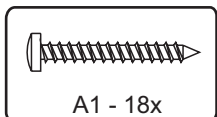
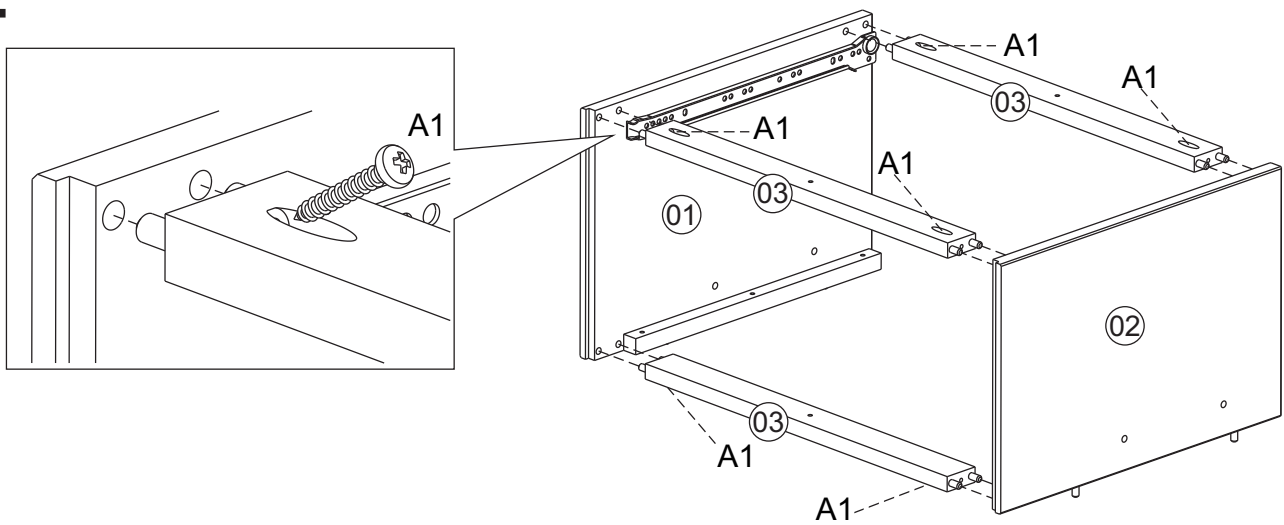
C3		10x40	04
D16			01
E3		L1	03
E4		L2	03
G1		10x10	28
G3			01
G8			01



01

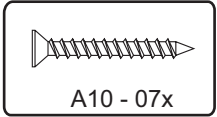
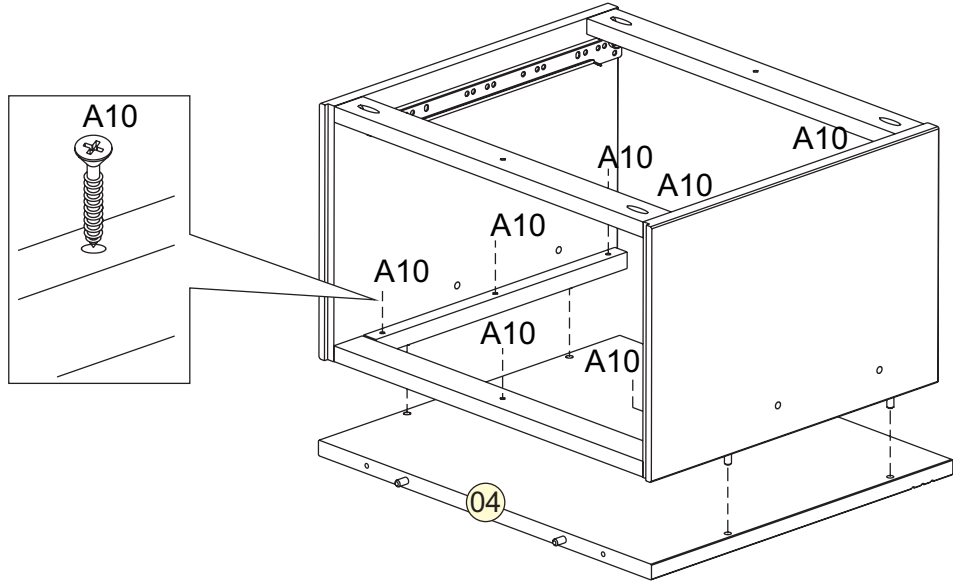


02

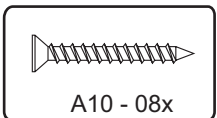
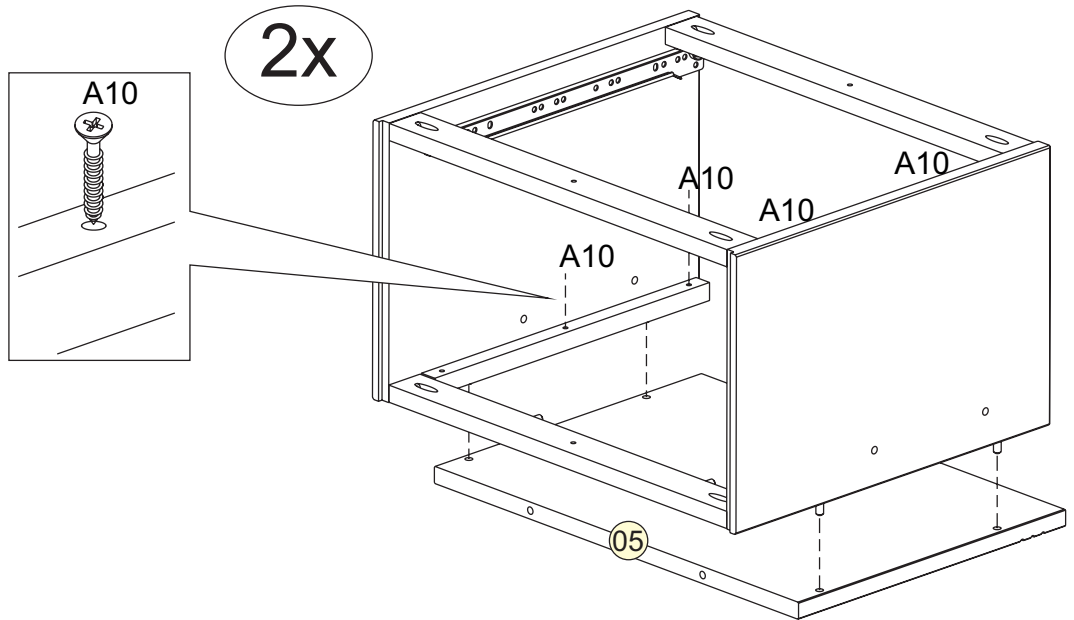


3x

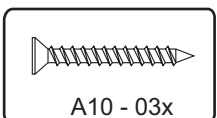
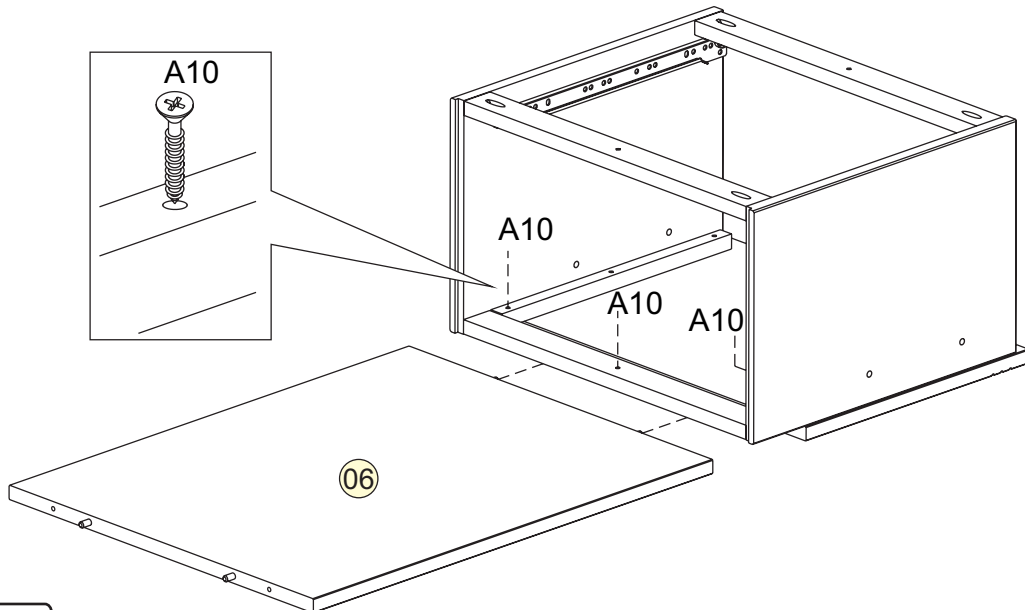
03



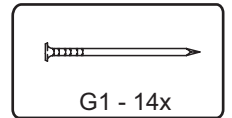
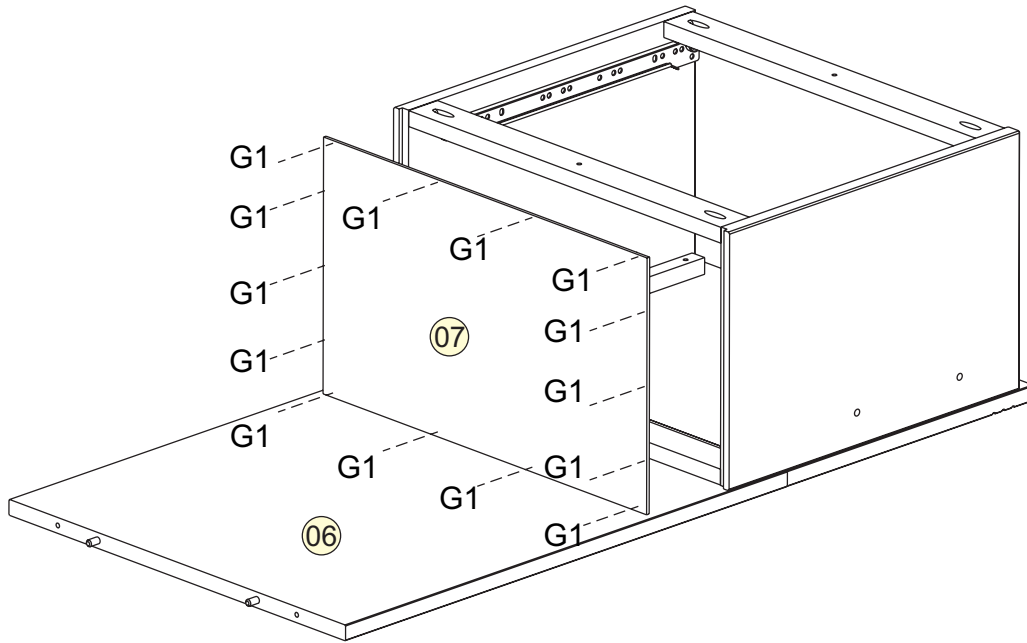
04



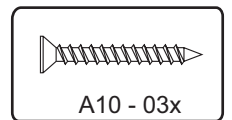
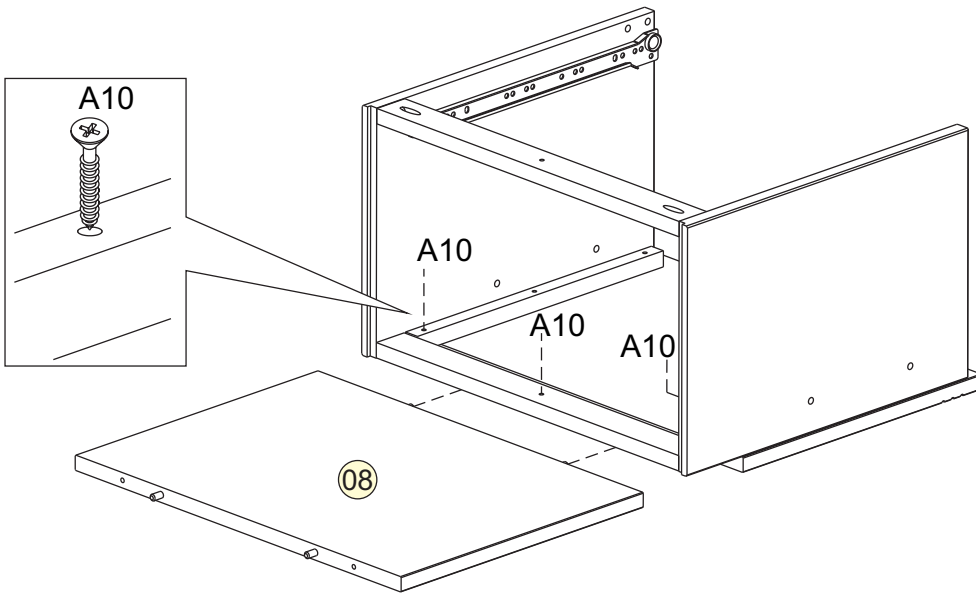
05



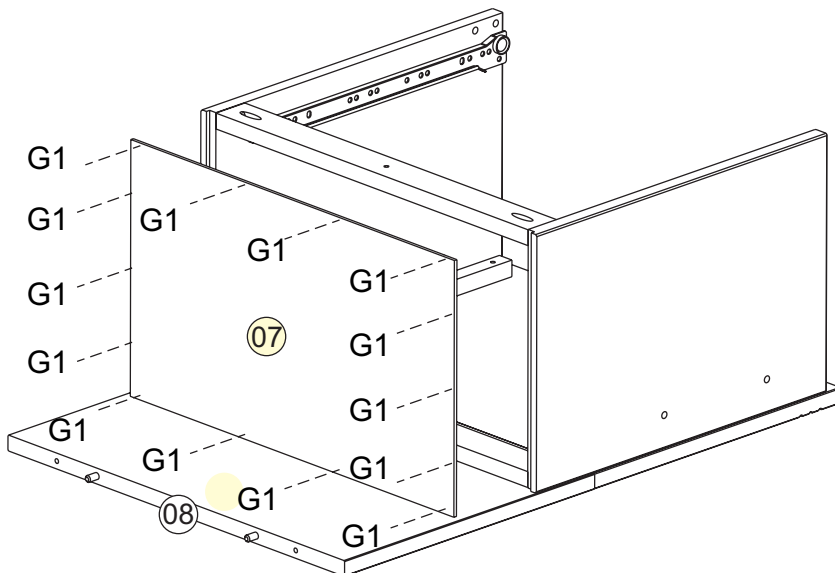
06



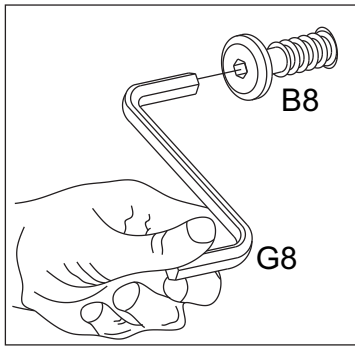
07



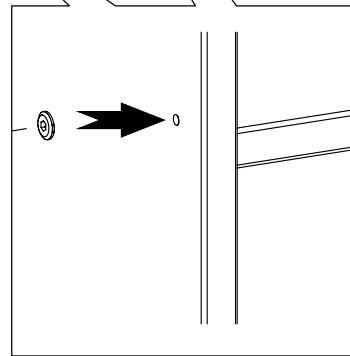
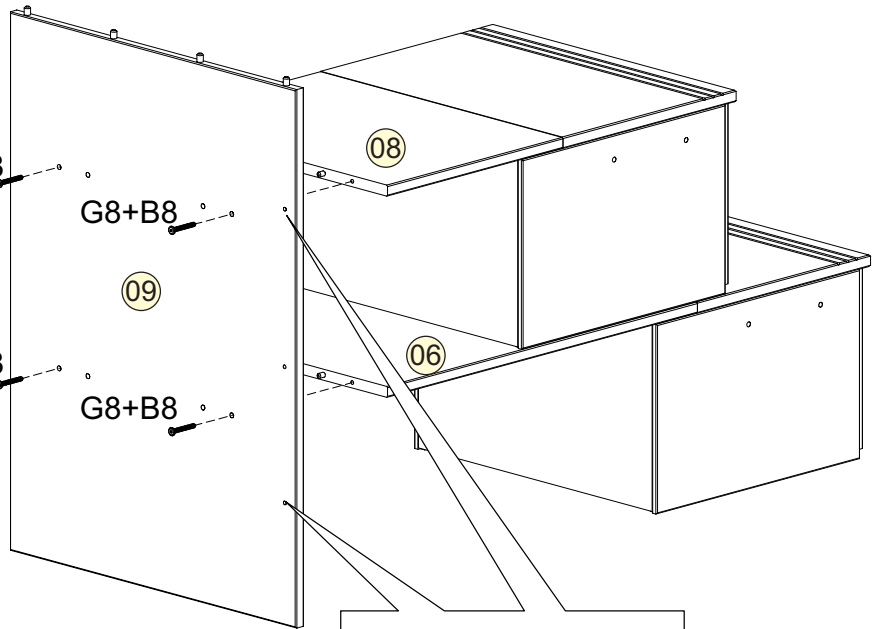
08



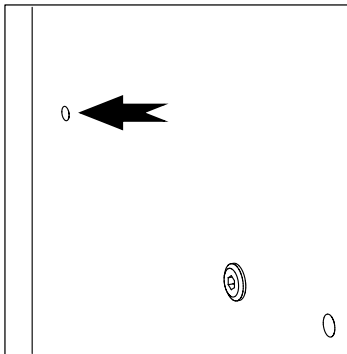
09 - RIGHT



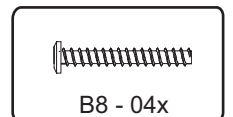
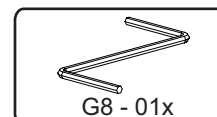
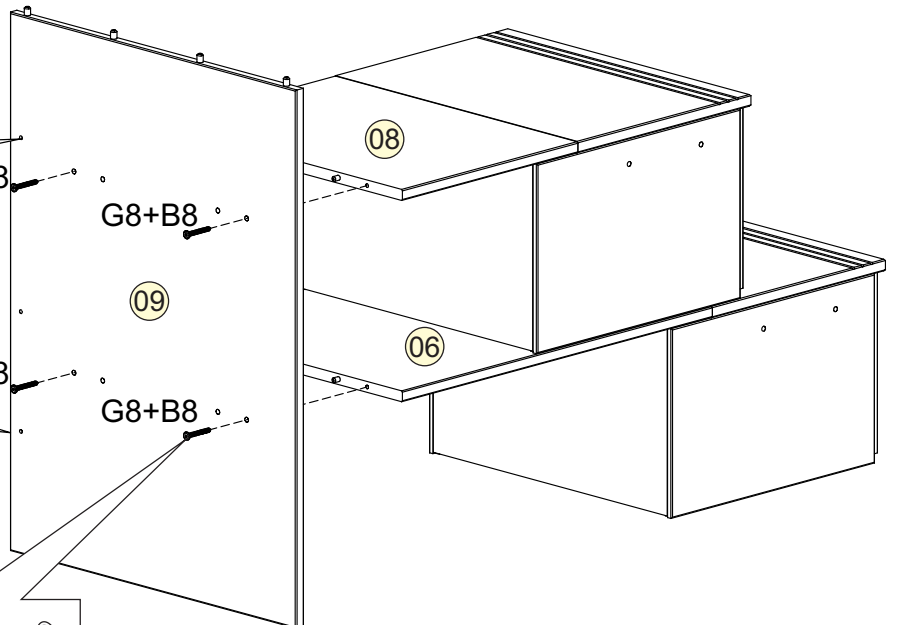
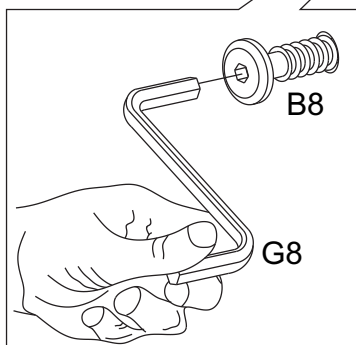
G8+B8
G8+B8
09
G8+B8
G8+B8



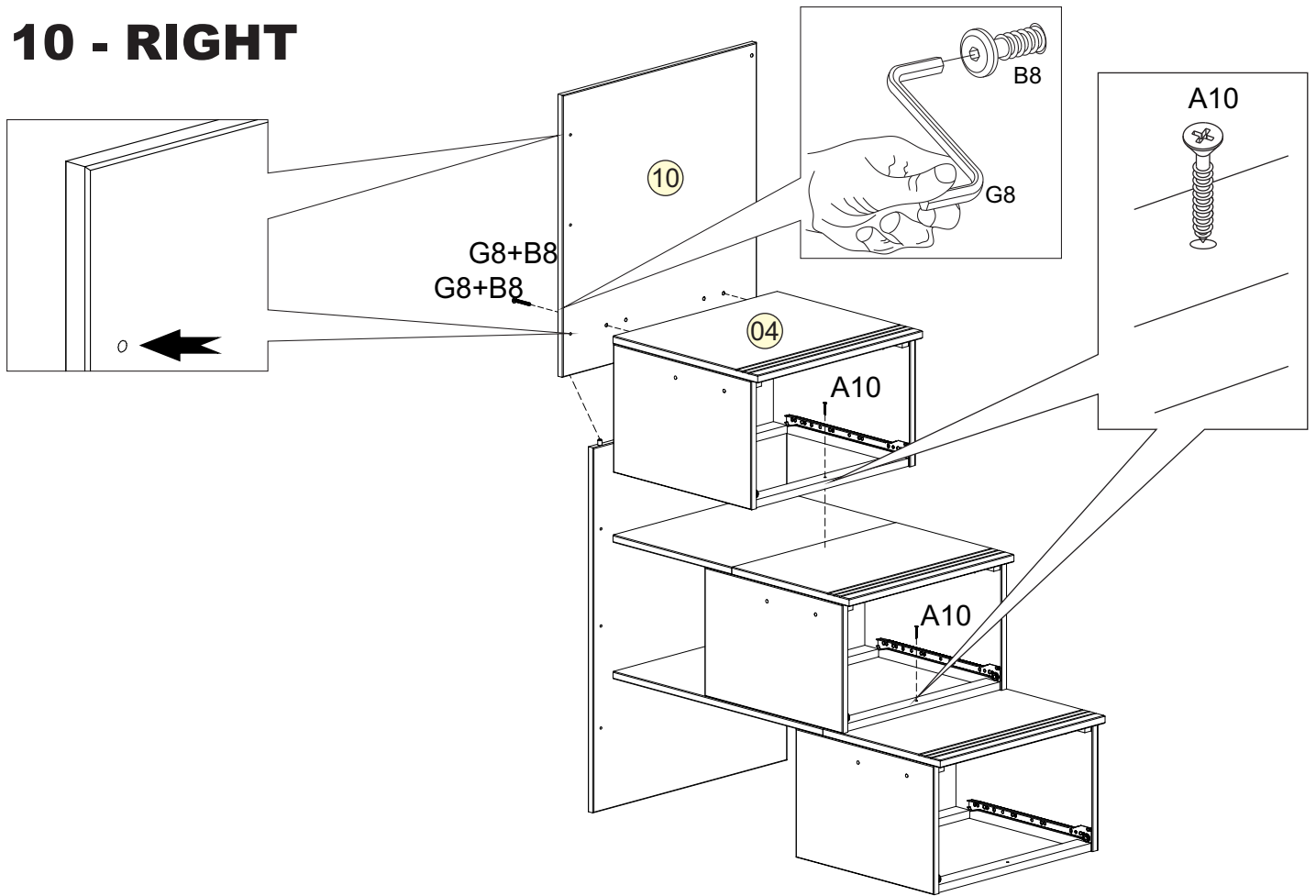
09 - LEFT



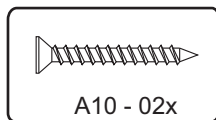
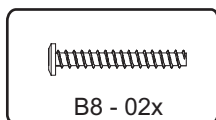
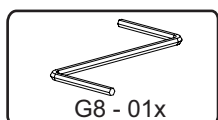
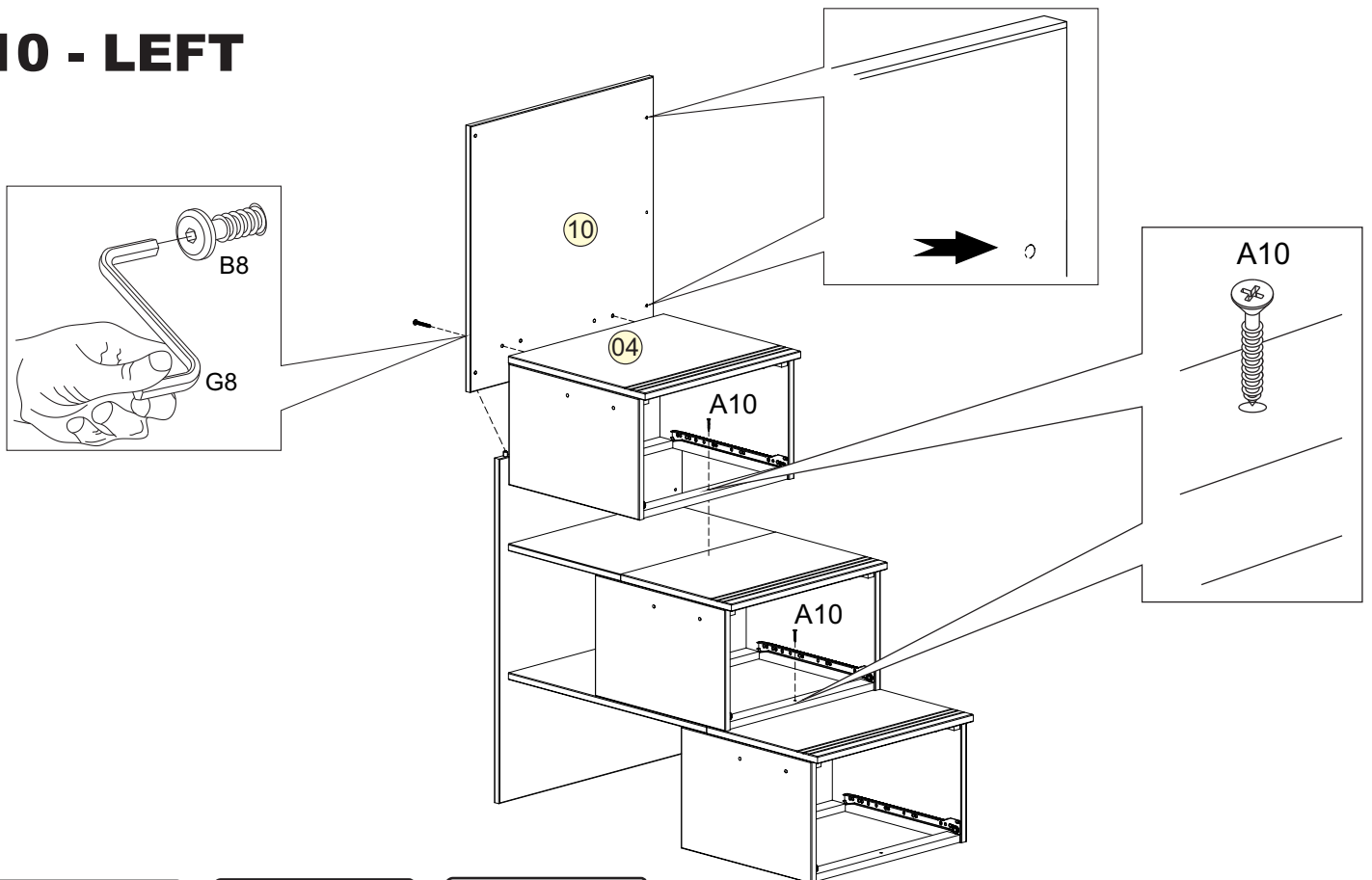
G8+B8
G8+B8
09
G8+B8
G8+B8



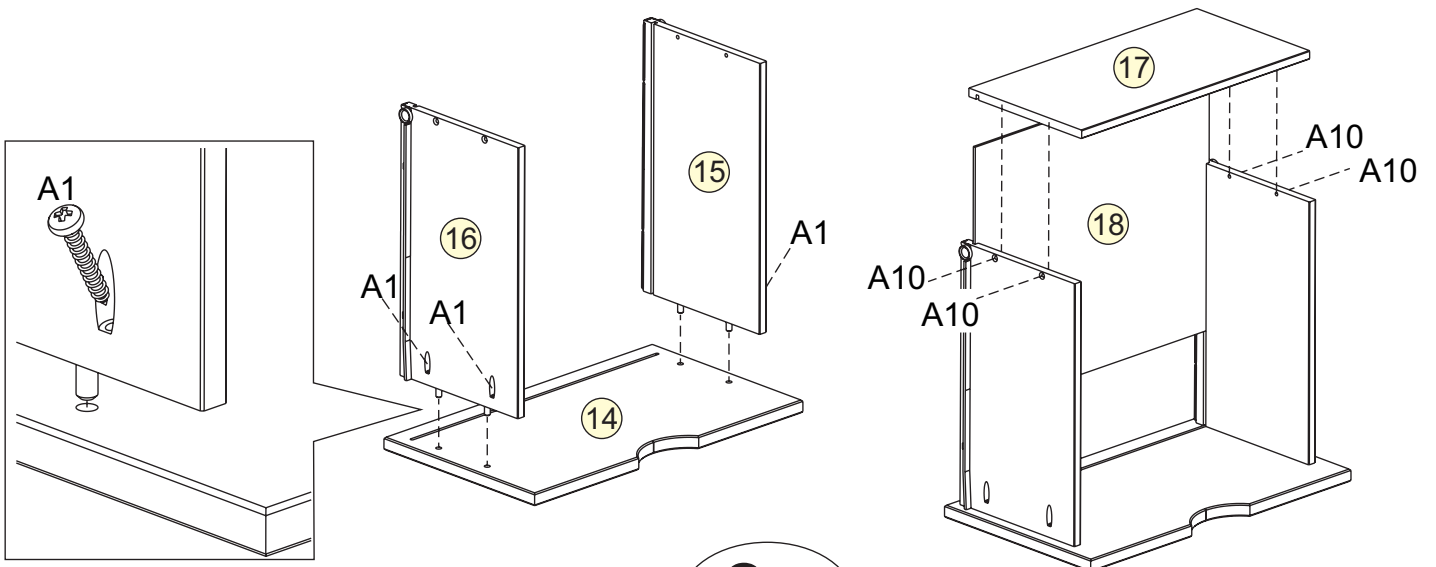
10 - RIGHT



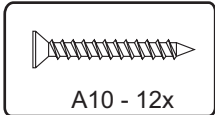
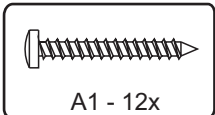
10 - LEFT



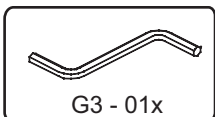
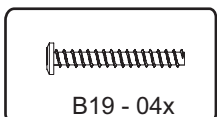
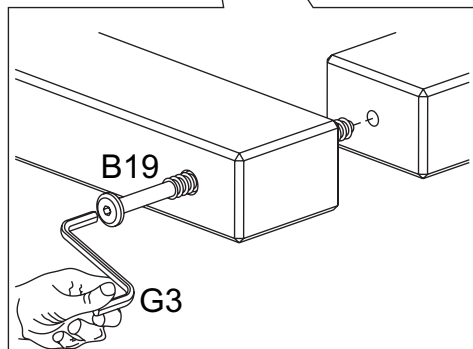
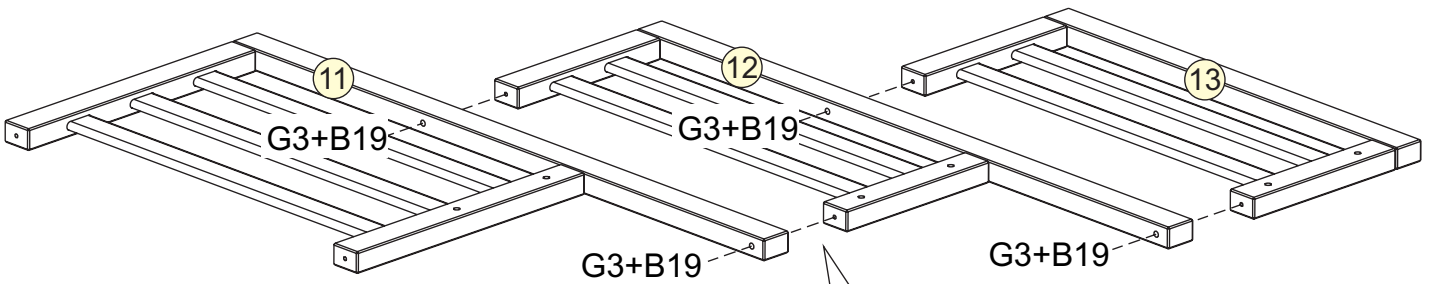
11



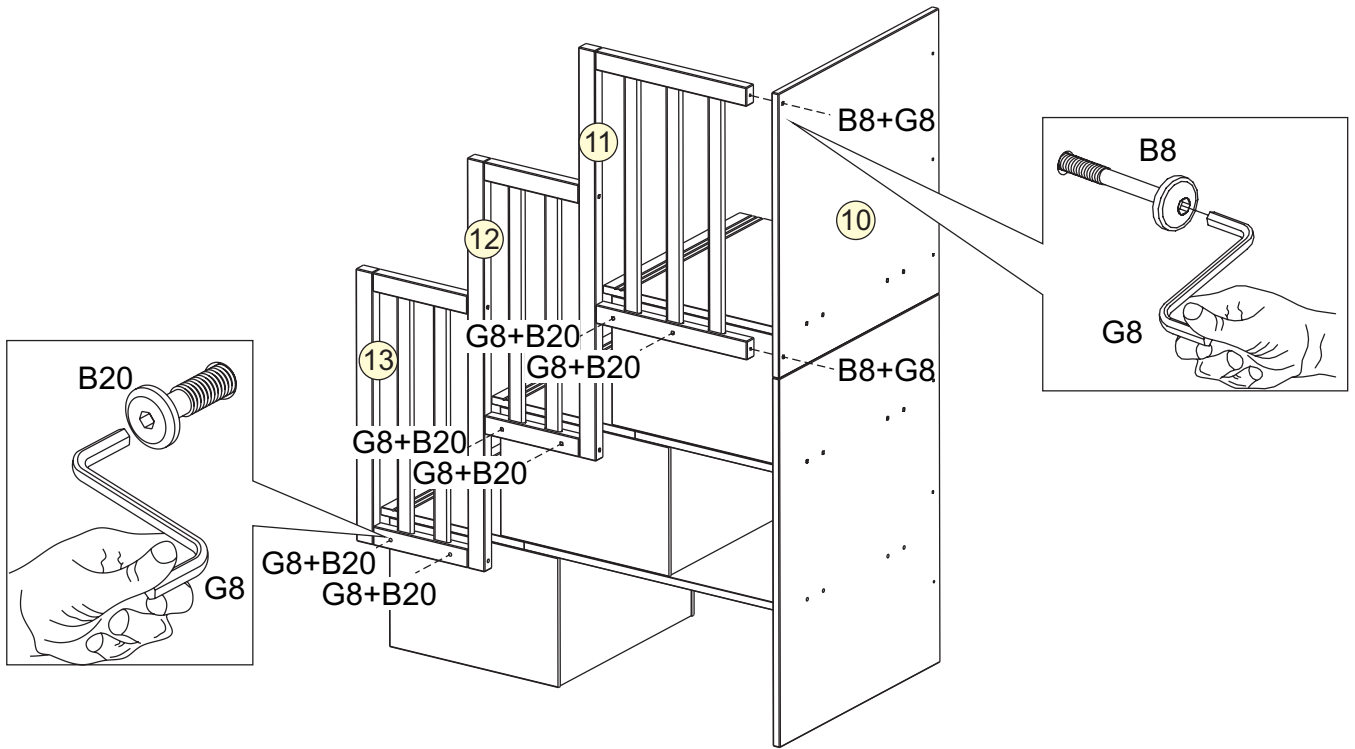
3x



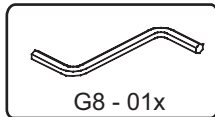
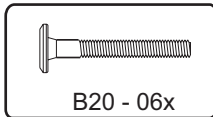
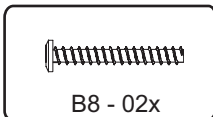
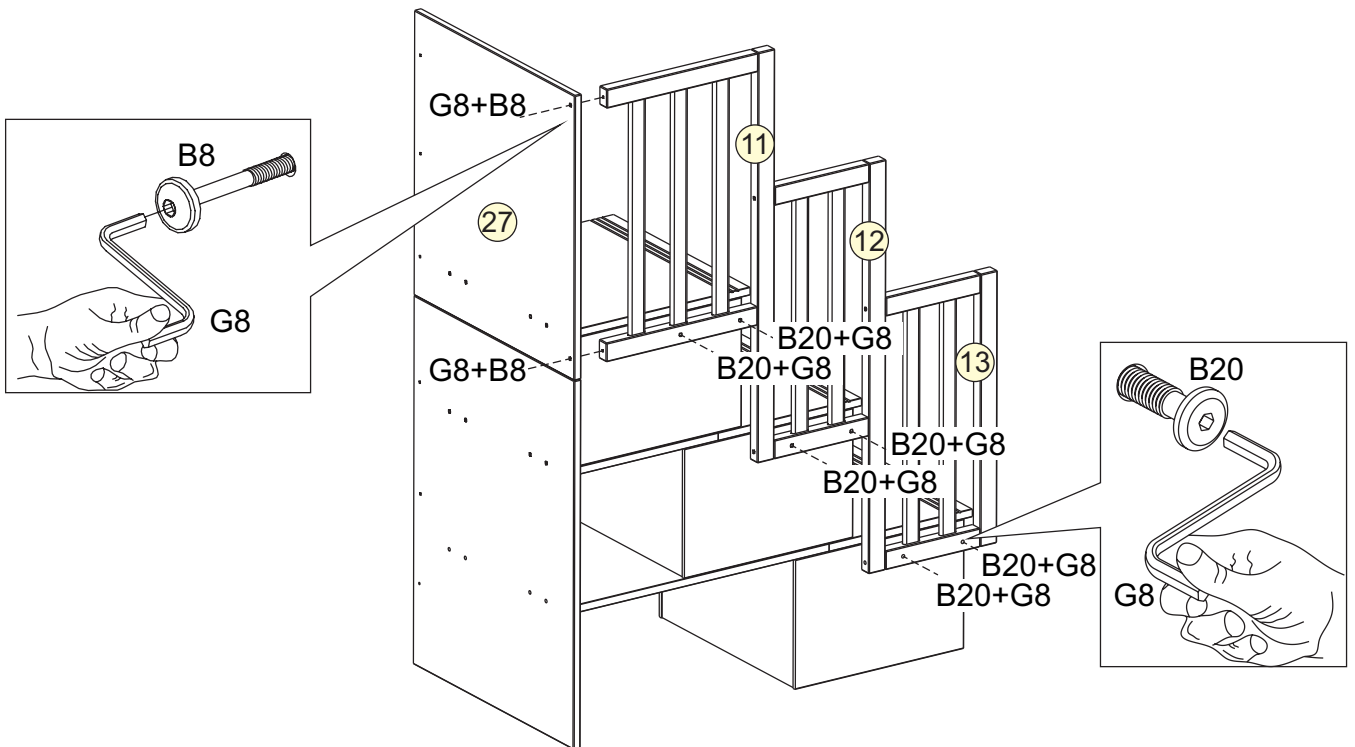
12



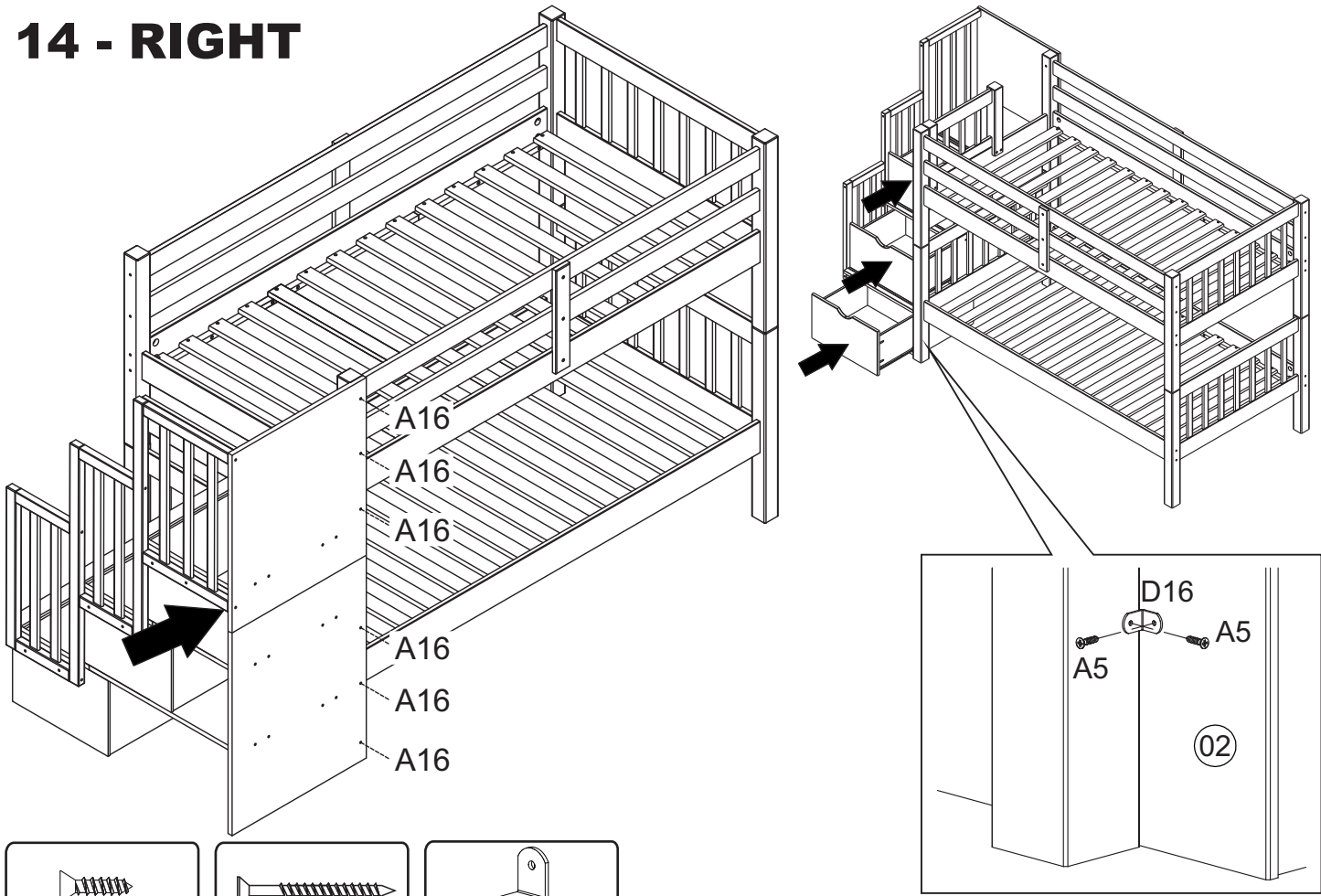
13 - RIGHT



13 - LEFT



14 - RIGHT



14 - LEFT

