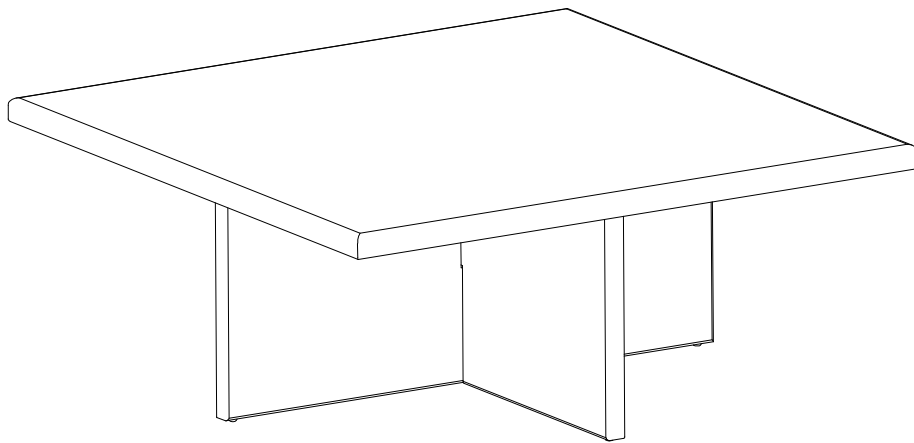


TABLE

Assembly Instructions

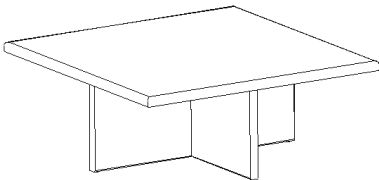
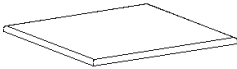
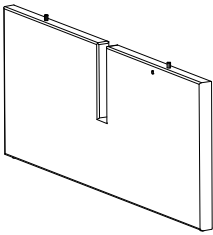
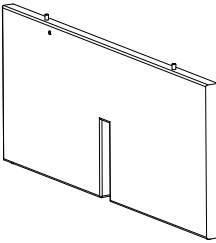
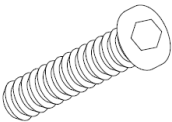
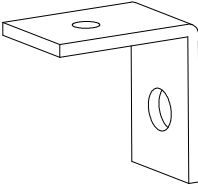
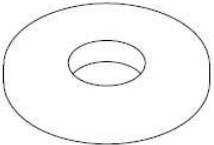
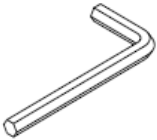
MAX TOP LOAD: 80 lbs.



TABLE

Parts List

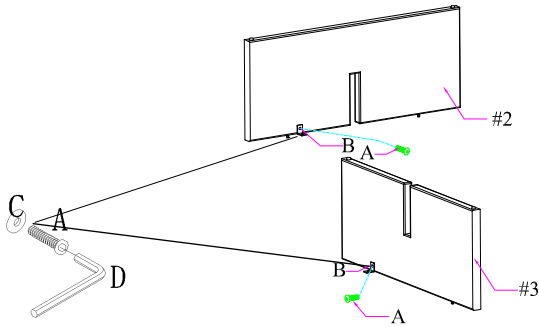
Please review all parts and hardware before disposing of any packaging. Call Customer Service if missing hardware. Do not return to store/retailer. Using a screw that is too long will cause damage. Before beginning assembly, separate each type of screw. Carefully study the screw diagrams below. You may receive extra hardware with your unit.

<p>A</p>  <p>“NYLO” TABLE</p>	<p>#1 Quantity of 1</p>  <p>Table top</p>
<p>#2 Quantity of 1</p>  <p>Side Plate</p>	<p>#3 Quantity of 1</p>  <p>Side Plate</p>
<p>(A) Quantity of 8</p>  <p>Allen Head Bolt</p>	<p>(B) Quantity of 4</p>  <p>“L” Connecting Strip</p>
<p>(C) Quantity of 8</p>  <p>Flat Washer</p>	<p>(D) Quantity of 1</p>  <p>Wrench</p>

TABLE

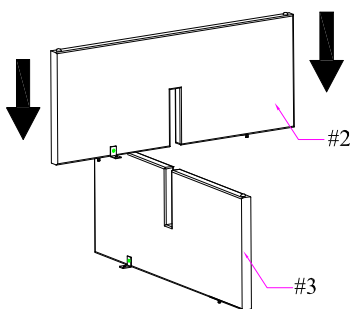
Assembly Instructions

Step 1



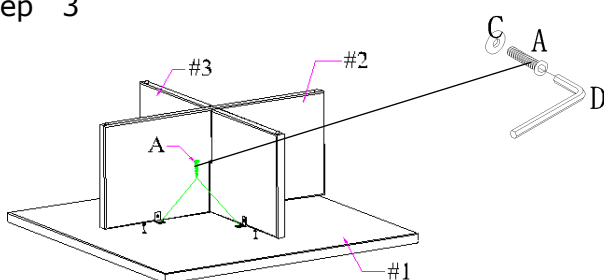
- Spread clean blanket or towel onto work surface to prevent scratch damage to parts.
- Locate all parts in cartons. Be sure to check packing materials carefully. Check against parts list to insure all necessary parts and hardware available for assembly.
- Place 1pc "L" connecting strip (B) to one of the holes on the side plate, then insert the bolt (A) through the flat washer(C)and the "L" connecting strip(B)and use wrench(D)to tighten. Also place 1pc "L" connecting strip (B) to the other hole against the side plate, then insert the bolt (A) through the flat washer(C)and the "L" connecting strip (B) to use wrench (D) to tighten.

Step 2



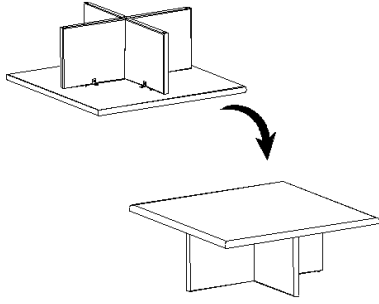
- Let side plate #2 and side plate #3 cross place. Please refer to left photo.

Step 3



- Place table top on a clean blanket or towel, the face is down.
- Insert bolt (A) thru the flat washer (C) and "L" connecting strip (B) on the side plate into screw hole on the back of table top. Insert 4pcs bolt(A) into 4 screw holes separately. Also use wrench (D) to tighten.

Step 4



- Finally, please turn over the table.

Parts Replacement Form

Customer Information

Name

Address

City/State/Zip Code

Phone Number

Please indicate where you purchased this item: Store/Website/Catalog

Please indicate color/size/style number:

Style No

Parts Letter

Parts Description

Quantity Needed
