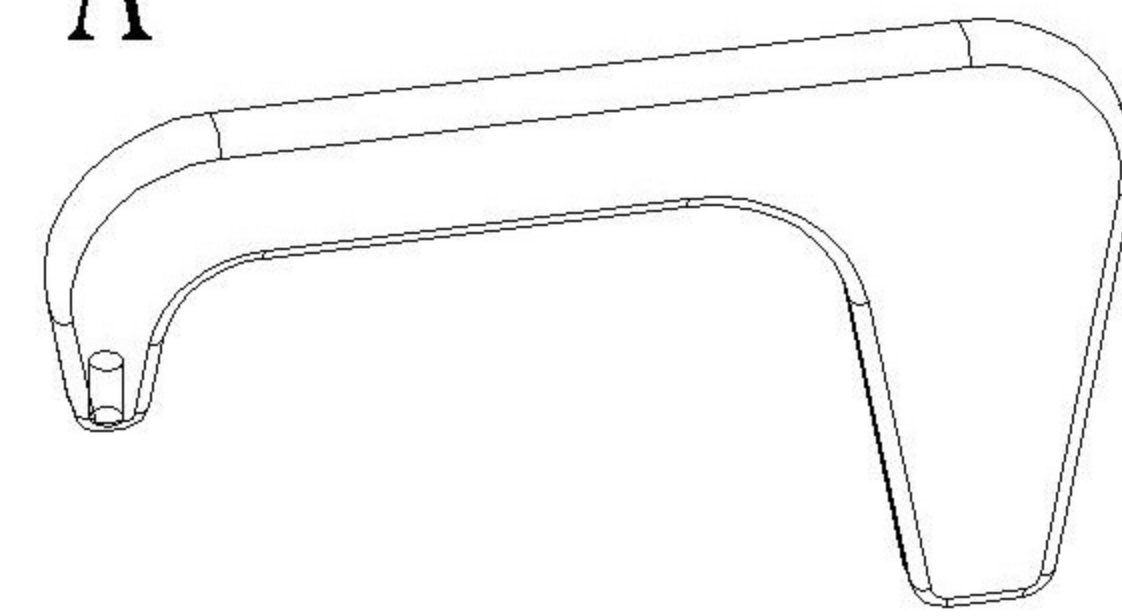


Instruction

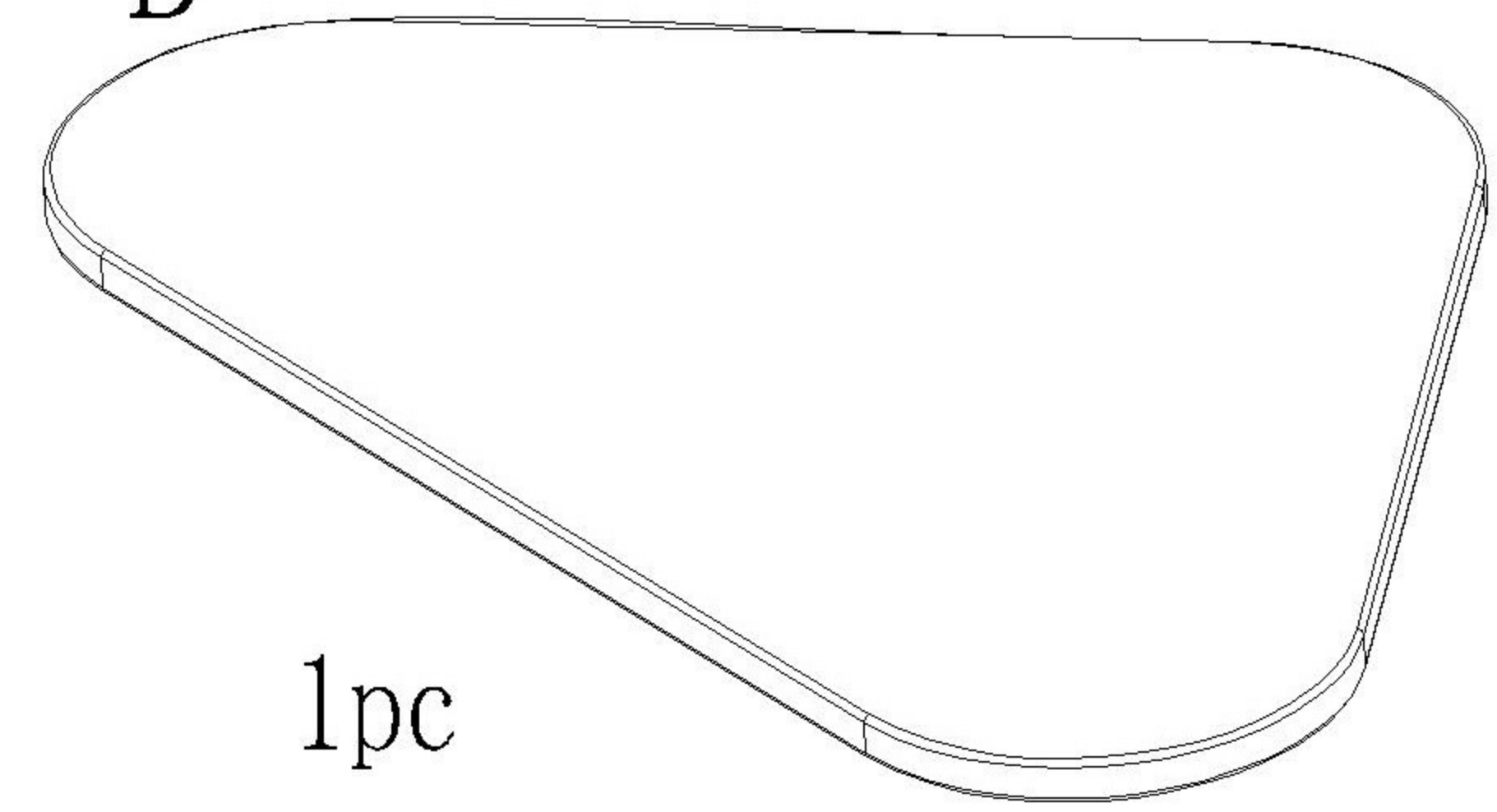
Accessories

A



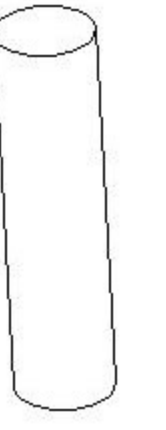
2pcs

B



1pc

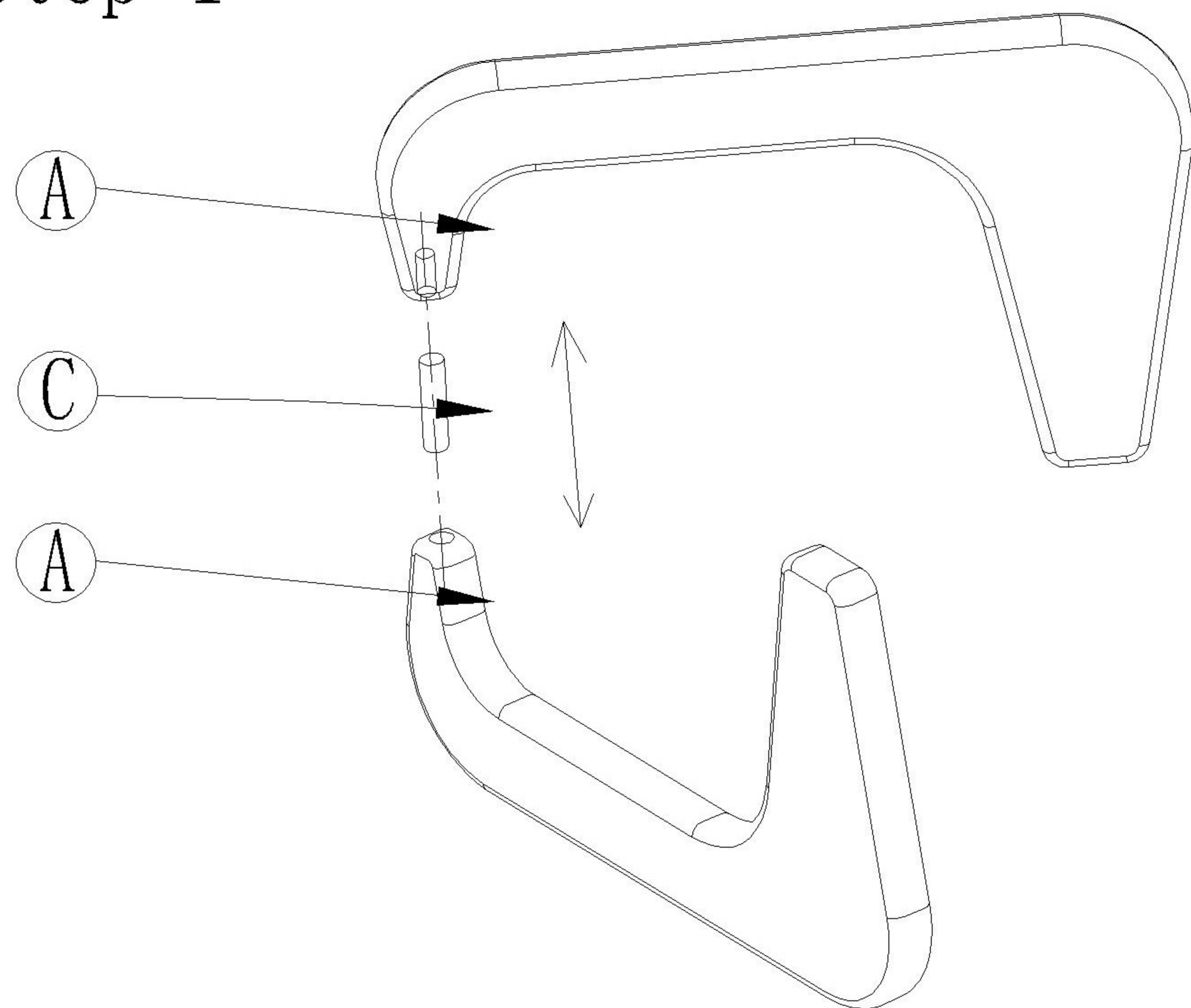
C



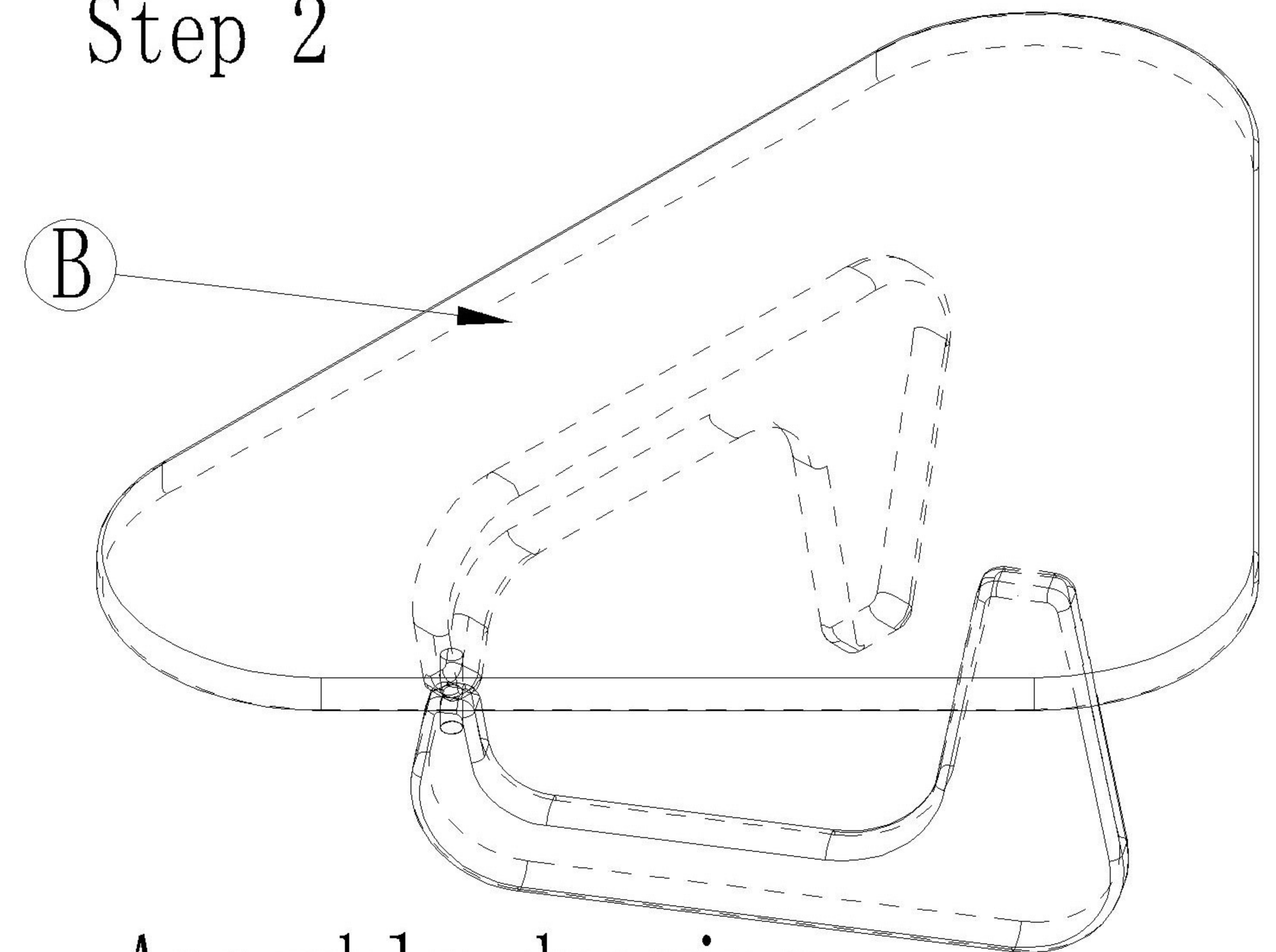
1pc

Installation procedure

Step 1



Step 2



Assembly drawing