
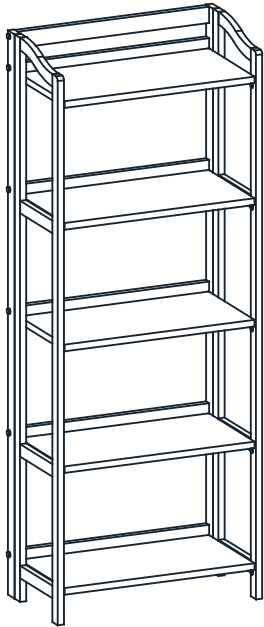


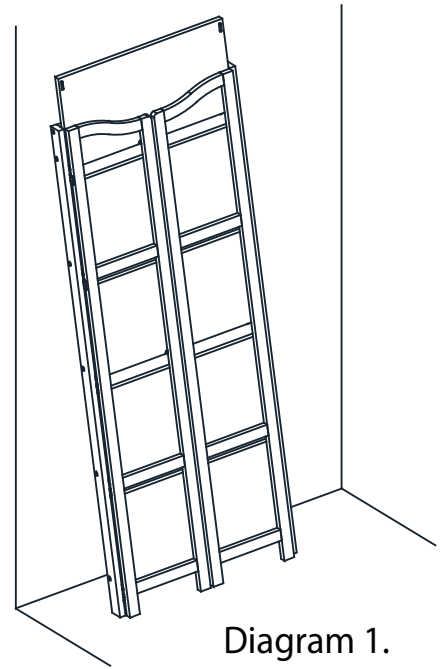
# Assembly Instruction Sheet for 5-Shelf Folding Bookcase

## List of Hardware

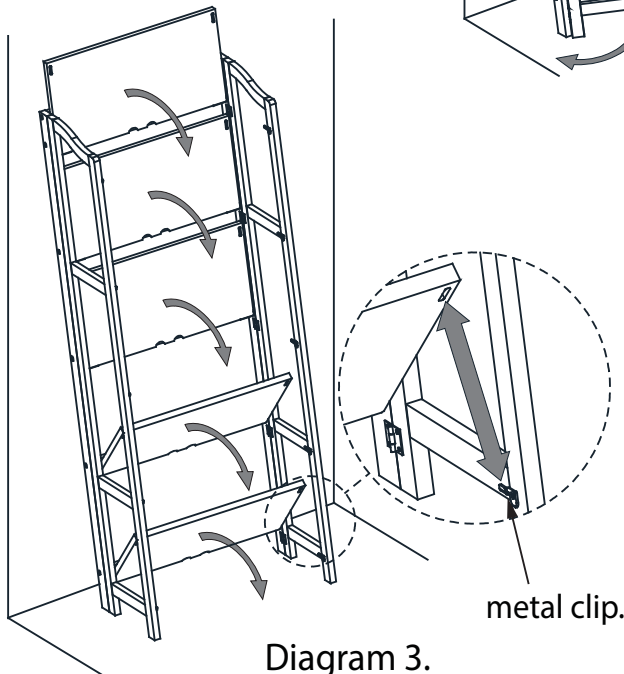
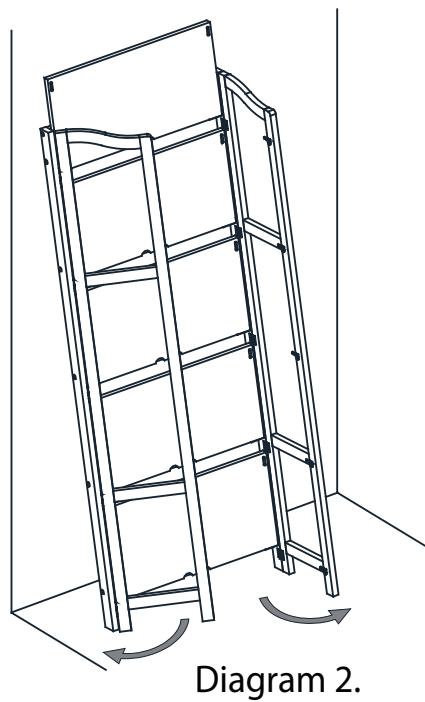
Description	Q'ty
Wood Plug 	12



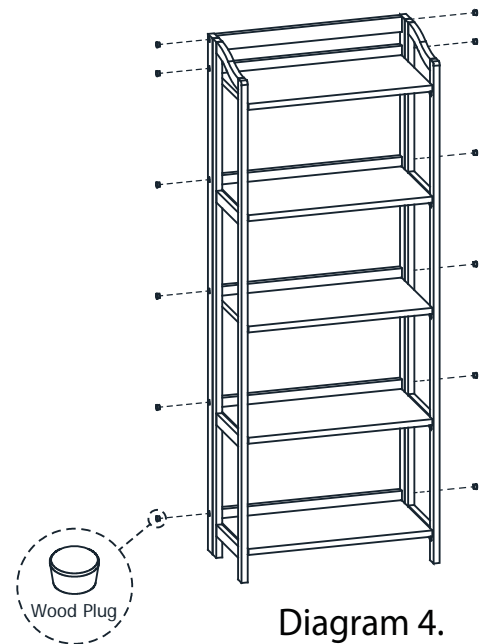
**Step 1 :** Gently lean the closed bookcase against the wall with a slight tilt to the back as per Diag.1



**Step 2 :** Unfold side panels as per Diag.2.



**Step 3 :** Unfold each shelves rest on the metal clip as per Diag.3.



**Step 4 :** Stand the bookcase to its upright position and cover the screw holes with wood plug as per Diag.4.