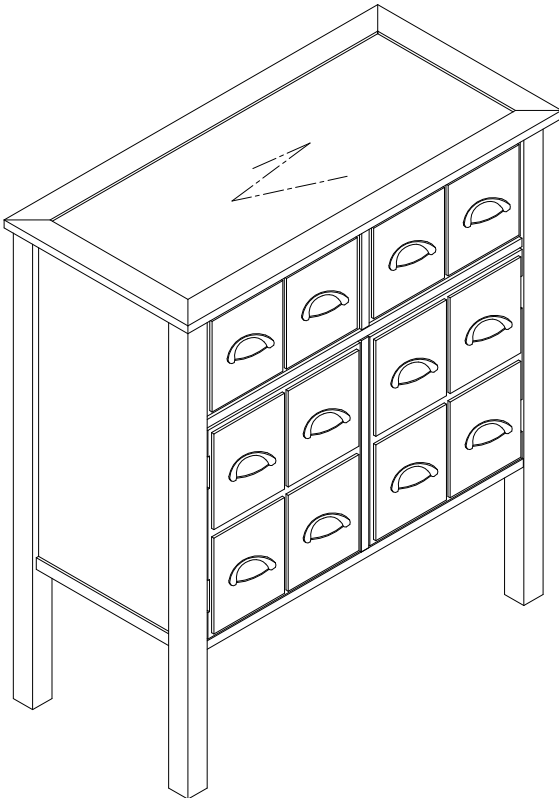


# Display-Top Apothecary Cabinet

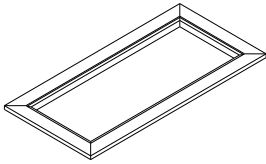
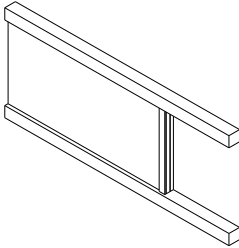
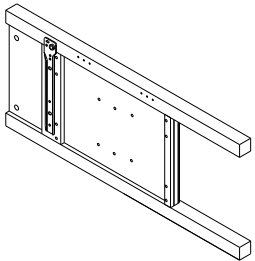
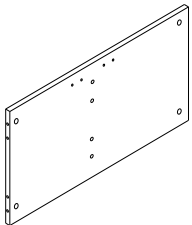
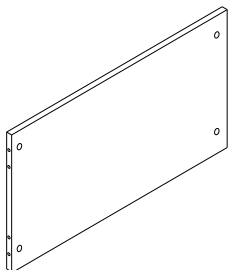
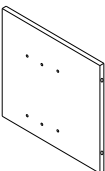
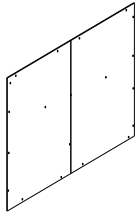
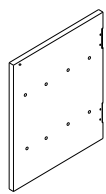
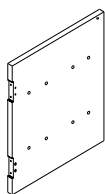
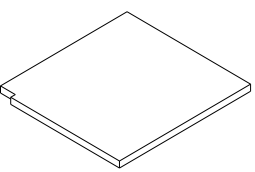
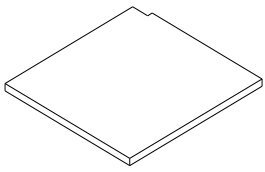
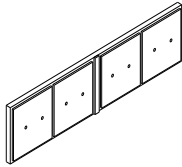
## Assembly Instructions

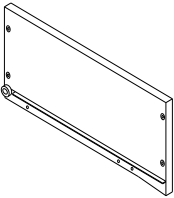
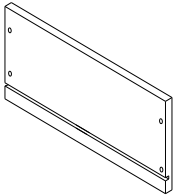
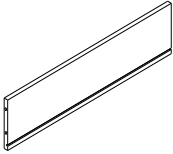
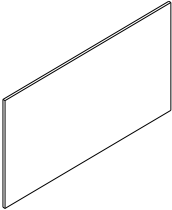
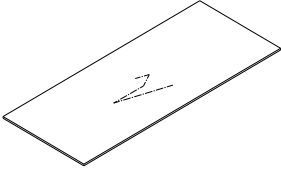


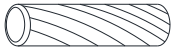


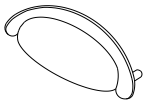
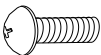
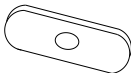



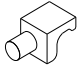
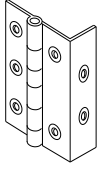
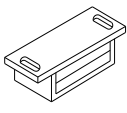
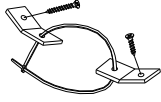
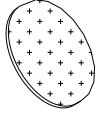
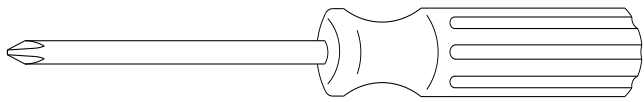
# Display-Top Apothecary Cabinet

## Parts List

Please check packaging for all parts and hardware before discarding. Unpack and lay parts on clean, padded surface like carpet or blanket. Check that you have all parts indicated. Call customer service if hardware is missing. Before beginning assembly, carefully study the diagrams below and sort your hardware according to the pictures. Using the incorrect hardware will cause damage.

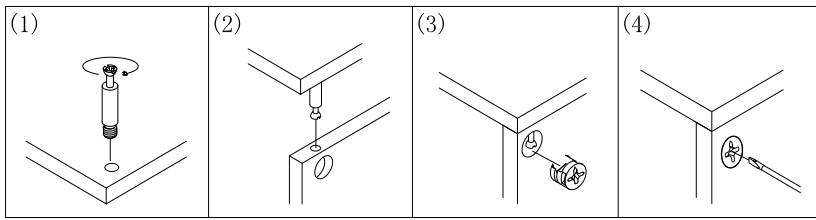
1  Top Panel	Quantity of 1	2  Left Side Panel	Quantity of 1	3  Right Side Panel	Quantity of 1
4  Shelf Panel	Quantity of 1	5  Bottom Panel	Quantity of 1	6  Middle Panel	Quantity of 1
7  Back Panel	Quantity of 1	8  Left Door	Quantity of 1	9  Right Door	Quantity of 1
10  Left Adjustable Shelf Panel	Quantity of 1	11  Right Adjustable Shelf Panel	Quantity of 1	12  Drawer Face Panel	Quantity of 1

<p>13</p> <p>Quantity of 1</p>  <p>Left Drawer Side Panel</p>	<p>14</p> <p>Quantity of 1</p>  <p>Right Drawer Side Panel</p>	<p>15</p> <p>Quantity of 1</p>  <p>Drawer Back Panel</p>
<p>16</p> <p>Quantity of 1</p>  <p>Drawer Bottom Panel</p>	<p>17</p> <p>Quantity of 1</p>  <p>Glass Top</p>	
<p>A</p> <p>Quantity of 16</p>  <p>Cam Bolt</p>	<p>B</p> <p>Quantity of 16</p>  <p>Cam Lock</p>	<p>C</p> <p>Quantity of 16</p>  <p>Wood Dowel Dia. 5/16" x 1-1/4"</p>
<p>D</p> <p>Quantity of 25</p>  <p>Screw Dia. 1/8" x 1/2"L</p>	<p>E</p> <p>Quantity of 8</p>  <p>Screw Dia. 5/32" x 1L</p>	<p>F</p> <p>Quantity of 12</p>  <p>Knob</p>
<p>G</p> <p>Quantity of 24</p>  <p>Bolts Dia. 5/32" x 1/2"L</p>	<p>H</p> <p>Quantity of 2</p>  <p>Magnet Plate</p>	<p>I</p> <p>Quantity of 30</p>  <p>Screw Dia. 1/8" x 1/2"L</p>

<p>J</p> <p>Quantity of 8</p>  <p>Shelf Pin</p>	<p>K</p> <p>Quantity of 4</p>  <p>Hinge</p>	<p>L</p> <p>Quantity of 2</p>  <p>Magnet</p>
<p>M</p> <p>Quantity of 2</p>  <p>Tilting Preventing Hardware</p>	<p>N</p> <p>Quantity of 8</p>  <p>Cotton Mat</p>	
<p><b>Care and Cleaning Instructions:</b>          Before using, wipe with a clean, dry cloth. Periodically apply furniture wax to renew the finish. Avoid rubbing or scratching the surface with rough or abrasive objects.</p>		
<p><b>Assembly Tool Required</b>  <b>No.2 Phillips Screwdriver</b>  <b>(Not Included)</b></p>		

# Display-Top Apothecary Cabinet

## Assembly Instructions



"Please do not over tighten cambolts. Please stop when you feel tight"

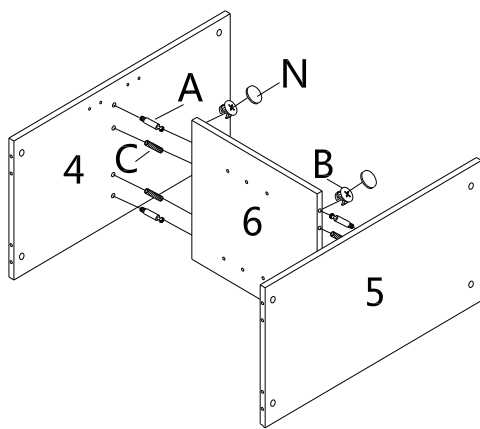


Figure 1

Start with finger to help align Cam Bolts.

Insert Cam Locks **(B)** into Corresponding holes on Middle Panel **(6)**.

Screw Cam Bolts **(A)** into threaded holes on Shelf Panel **(4)** and Bottom Panel **(5)**.

Attach Shelf Panel **(4)** and Bottom Panel **(5)** to Middle Panel **(6)** by inserting Cam Bolts **(A)** and Wood Dowels **(C)** into corresponding holes until all panels meet.

Tighten Cam Bolts **(A)** by rotating Cam Locks **(B)** clockwise using Phillips screwdriver.

Cover Cam Locks **(B)** with Cotton Mat **(N)** provided.

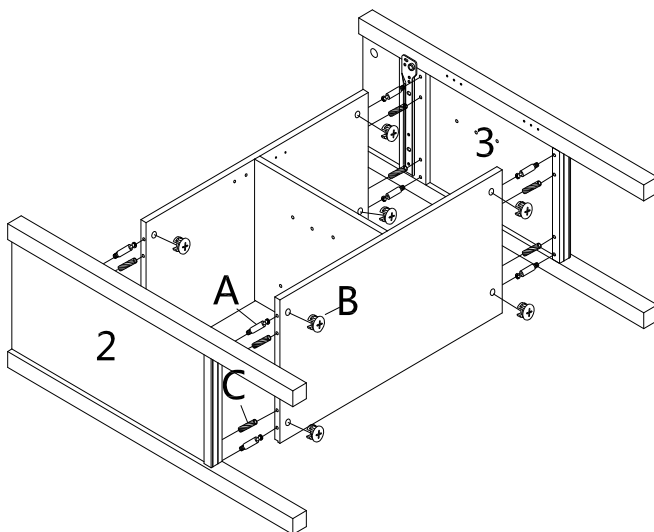


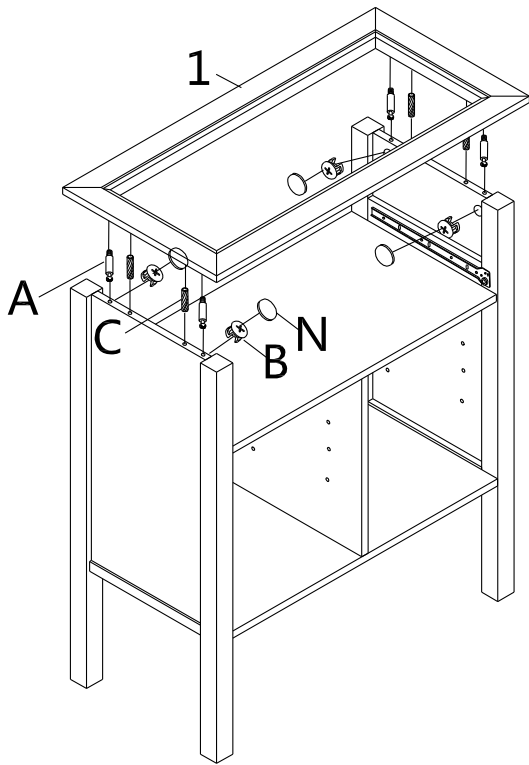
Figure 2

Insert Cam Locks **(B)** into corresponding holes on Shelf Panel **(4)** and Bottom Panel **(5)**.

Screw Cam Bolts **(A)** into threaded holes on Left Side Panel **(2)** and Right Side Panel **(3)**.

Attach Left Side Panel **(2)** and Right Side Panel **(3)** to Shelf Panel **(4)** and Bottom Panel **(5)** by inserting Cam Bolts **(A)** and Wood Dowels **(C)** into corresponding holes until all panels meet.

Tighten Cam Bolts **(A)** by rotating Cam Locks **(B)** clockwise using Phillips screwdriver.



Insert Cam Locks **(B)** into corresponding holes on Left Side Panel **(2)** and Right Side Panel **(3)**.

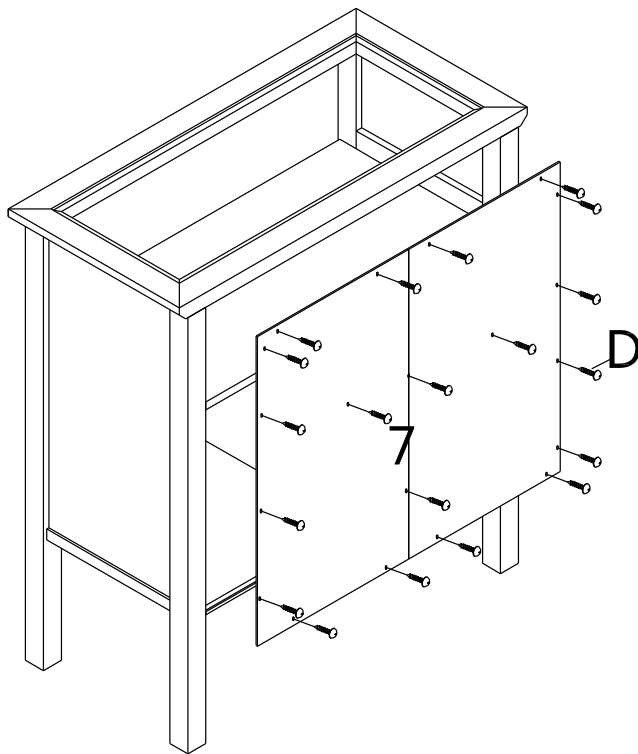
Screw Cam Bolts **(A)** into threaded holes on Top Panel **(1)**.

Attach Top Panel **(1)** to Left Side Panel **(2)** and Right Side Panel **(3)** by inserting Cam Bolts **(A)** and Wood Dowels **(C)** into corresponding holes until all components meet.

Tighten Cam Bolts **(A)** by rotating Cam Locks **(B)** clockwise using Phillips screwdriver.

Cover Cam Locks **(B)** with Cotton Mat **(N)** provided.

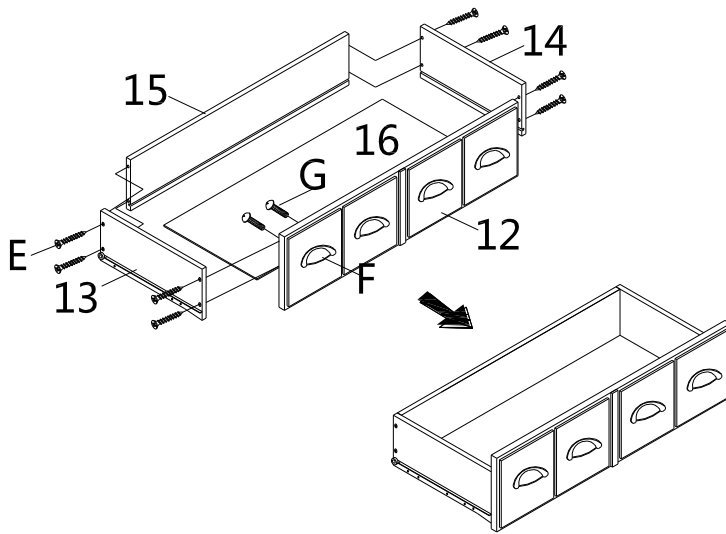
Figure 3



Attach Back Panel **(7)** to the back of the unit with Screws **(D)**.

Tighten Screws **(D)** with Phillips screwdriver.

Figure 4



Attach Drawer Side Panels (**13/14**) to Drawer Back Panel (**15**) using Screws (**E**).

Tighten Screws (**E**) with Phillips screwdriver.

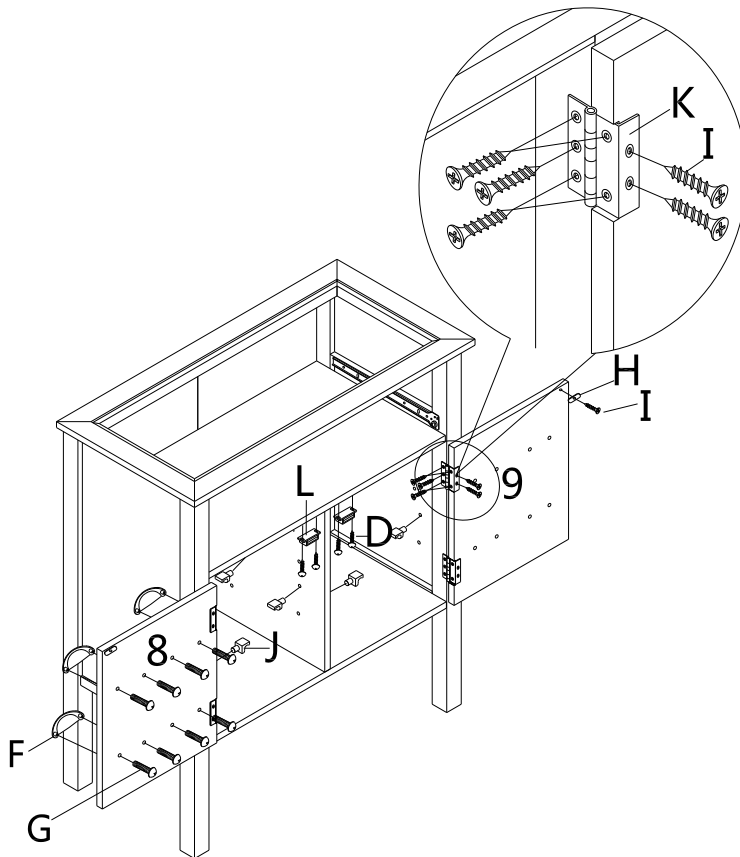
Insert Drawer Bottom Panel (**16**) into the grooves of panels (**13/14/15**).

Attach Drawer Front Panel (**12**) to the assembled unit using Screws (**E**).

Finally, attach Knobs (**F**) to the Drawer Front Panel (**12**) using Bolts (**G**).

Tighten Bolts (**G**) with Phillips screwdriver.

Figure 5



Attach Hinges (**K**) to Side Panels and Door with Screws (**I**).

Attach Magnet Plates (**H**) to the doors with Screws (**I**).

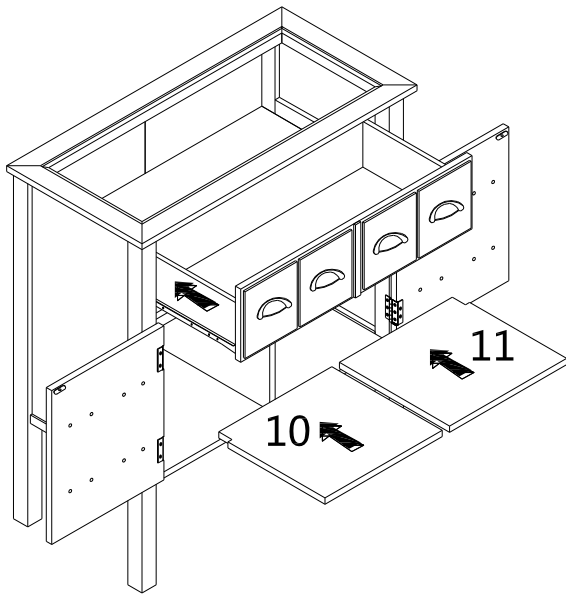
Attach Knobs (**F**) to the doors with Bolts (**G**).

Tighten Bolts (**G**) and Screws (**I**) with Phillips screwdriver.

Attach Magnets (**L**) on the assembled unit using Screw (**D**).

Insert Shelf Pins (**J**) into holes on Side Panels Middle Panel.

Figure 6

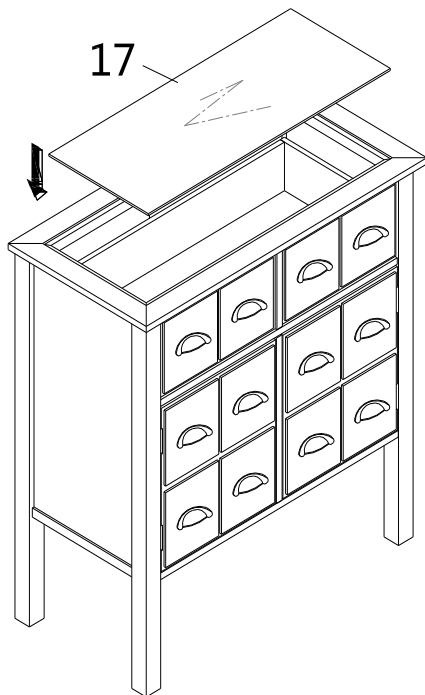


Insert drawers into the unit as shown.

Make sure all slides glide smoothly in and out.

Insert Adjustable Shelf Panels (**10/11**) in the arrows direction.

Figure7



Place the Glass Top (**17**) onto Top Panel (**1**).

Figure 8



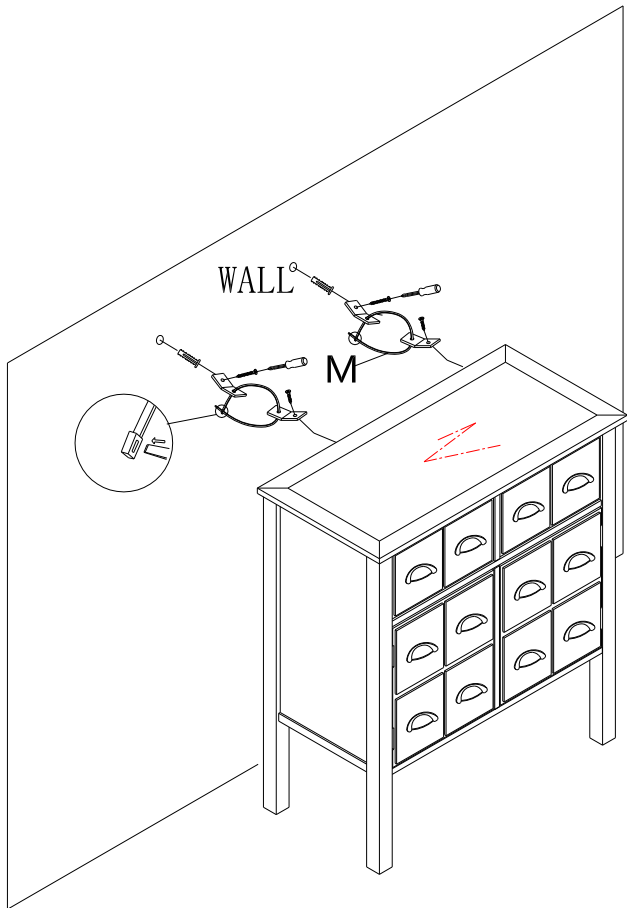


Figure 9

Attach two Brackets (M) to back Panel using Screws (M). Tighten screws (M) using a Philips screwdriver.

Mark two desired locations on wall in the same distance as the Brackets (M) on the back of the unit.

Drill two 3/16" holes on wall.

Insert plastic anchors (M) into the 2 holes on wall as shown. (When doing this, you will need a hammer help you).

Then, attach the Brackets (M) to wall using Screws (M).

Tighten Screws (M) using a Philips screw driver.

Move this item close to the wall Bracket (M) and tie in all Brackets (M) with Plastic Straps (M) as shown in diagram.

**Anti-tipping hardware must be used for this product to avoid tipping and injury.**

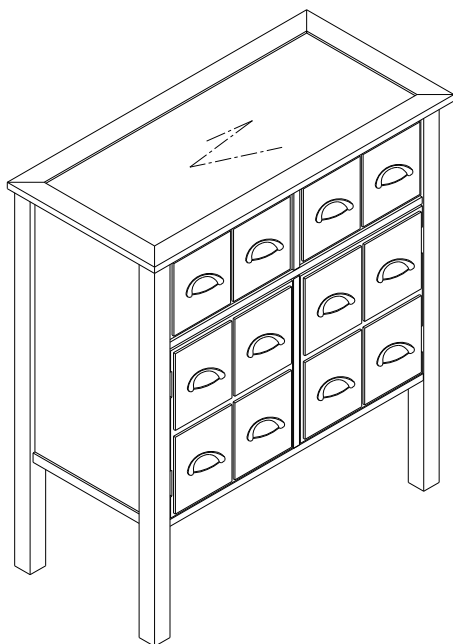


Figure 10

Now your display-top apothecary cabinet is ready to use.

# Parts Replacement Form

## Customer Information

Name \_\_\_\_\_

Address \_\_\_\_\_

City/State/Zip Code \_\_\_\_\_

Phone Number \_\_\_\_\_

Please indicate where you purchased this item: Store/Website/Catalog

\_\_\_\_\_

Please indicate color/size/style number:

\_\_\_\_\_

Style No	Parts Letter	Parts Description	Quantity Needed
_____	_____	_____	_____
_____	_____	_____	_____
_____	_____	_____	_____