

3 DOORS DRAWER WARDROBE

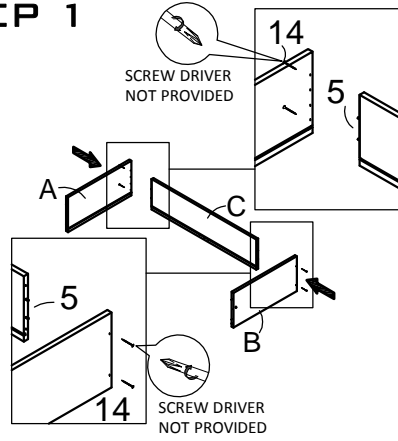
HARDWARE LIST

NO	DESCRIPTION	QTY
1	5574 QUICKFIT HOUSING	9 PCS
2	5546 QUICKFIT BOLT	9 PCS
3	M6 X 50MM CSK CAP WOOD SCREW	26 PCS
4	M8 X 25MM WOOD DOWEL	31 PCS
5	M6 X 30MM WOOD DOWEL	36 PCS
6	3041-96MM PVC HANDLE	6 PCS
7	M4 X 25MM CHIPBOARD SCREW	12 PCS
8	5 / 8" HINGES 162 END LEG	8 SETS
9	M3.5 X 12MM CHIPBOARD SCREW	71 PCS
10	M3.5 X 16MM CHIPBOARD SCREW	32 PCS
11	5 / 8" PVC NAIL WITH PIN	6 PCS
12	Ø19MM X 1021MM HANGING BAR	1 PC
13	M4 ALLEN KEY	1 PC
14	M4 X 32MM CHIPBOARD SCREW	15 PCS
15	400MM SJ 15° METAL SLIDE 15°	3 SETS
16	704 PVC SHELF SUPPORT	4 PCS
17	COLOUR STICKER	24 PCS
18	WALL PLUG	1 PC
19	CABLE TIED	1 PC
20	6# SCREW EYES	1 PC
21	8# SCREW EYES	1 PC

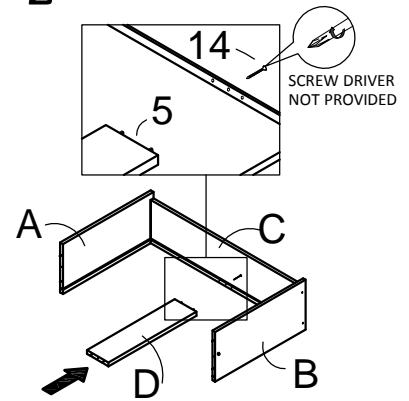
PARTS LIST

NO	DESCRIPTION	QTY
A	DRAWER SIDE PANEL-LEFT	3
B	DRAWER SIDE PANEL-RIGHT	3
C	DRAWER BACK PANEL	3
D	DRAWER BOTTOM SUPPORT	3
E	DRAWER BOTTOM PANEL	3
F	DRAWER HANDLE PANEL	3
G	SIDE PANEL-LEFT	1
H	SIDE PANEL-RIGHT	1
J	CENTRE PANEL	1
K	BOTTOM PANEL	1
L	LEG PANEL	1
M	BACK HANGING PANEL	3
N	SHELF FIX PANEL-BIG	1
P	TOP PANEL	1
Q	SHELF FIX PANEL-SMALL	1
R	BACK PANEL-DOWN	1
S	BACK PANEL-UP	3
T	DOOR PANEL-BIG - LEFT	1
U	DOOR PANEL-SMALL	1
V	SHELF PANEL	1
W	BACK PANEL- B	1
X	DOOR PANEL - BIG RIGHT	1

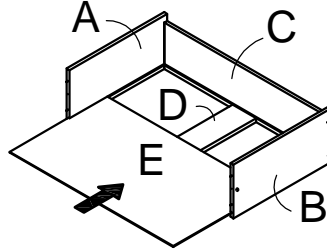
STEP 1



STEP 2

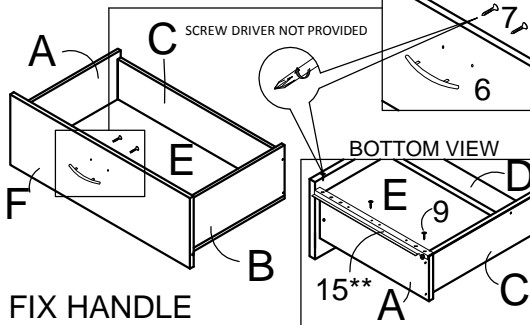


STEP 3



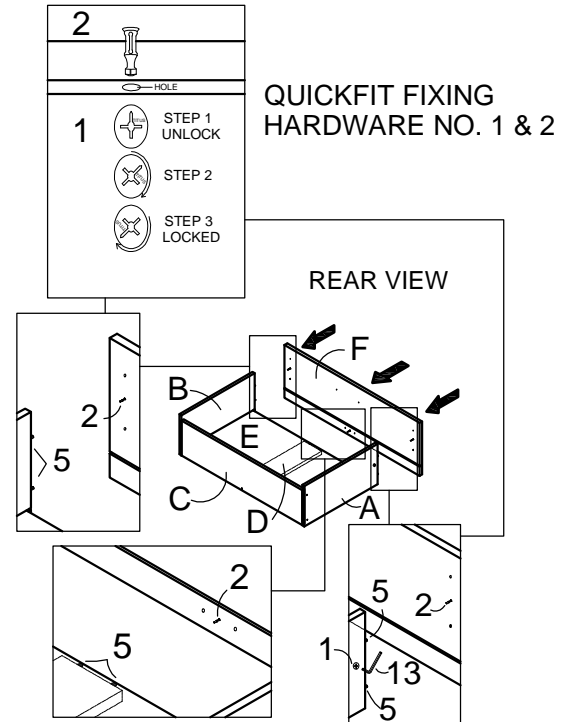
INSERT DRAWER BOTTOM PANEL

STEP 5 DRAWER ASSEMBLY 3 UNITS



FIX HANDLE

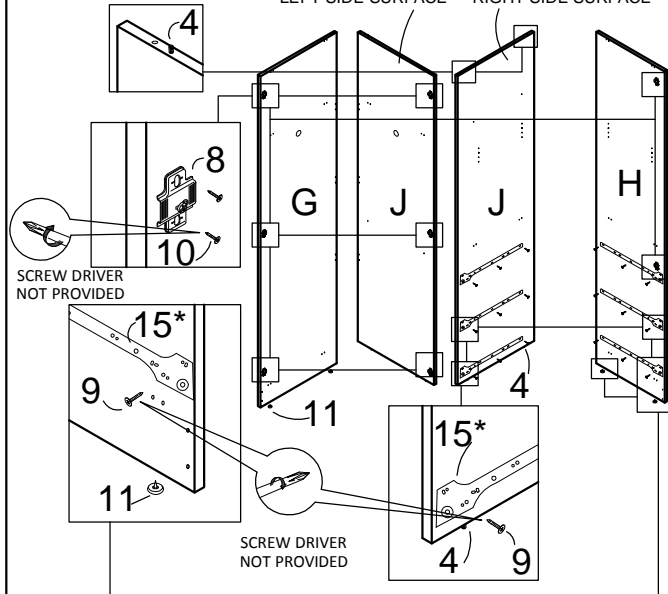
STEP 4



QUICKFIT FIXING HARDWARE NO. 1 & 2

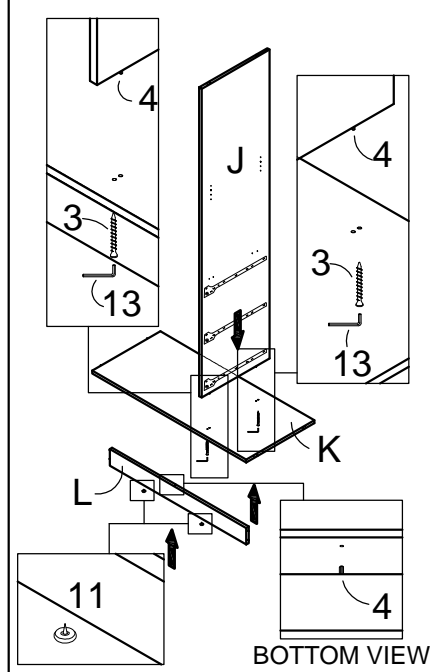
REAR VIEW

STEP 6



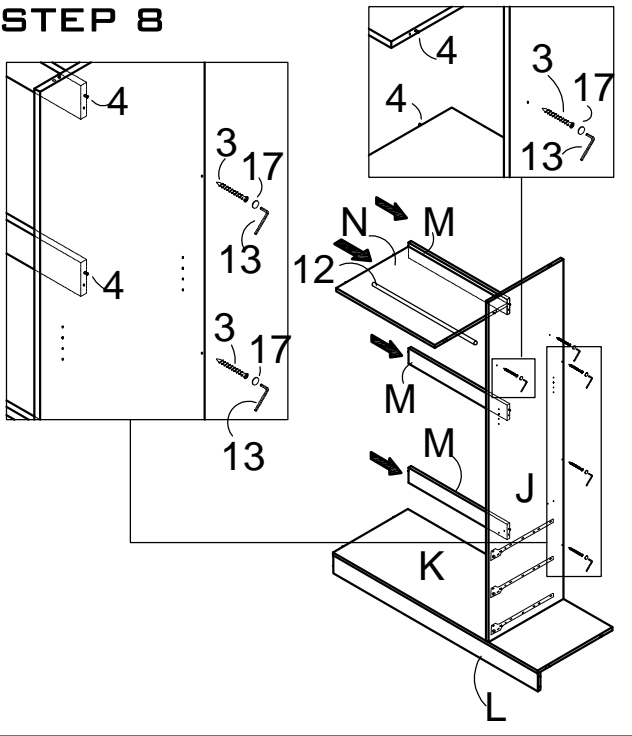
FIX HARDWARE NO. 4,8,9,10 & 15 TO PANEL G, H & J.
NO. 11 ONLY PANEL G & H

STEP 7

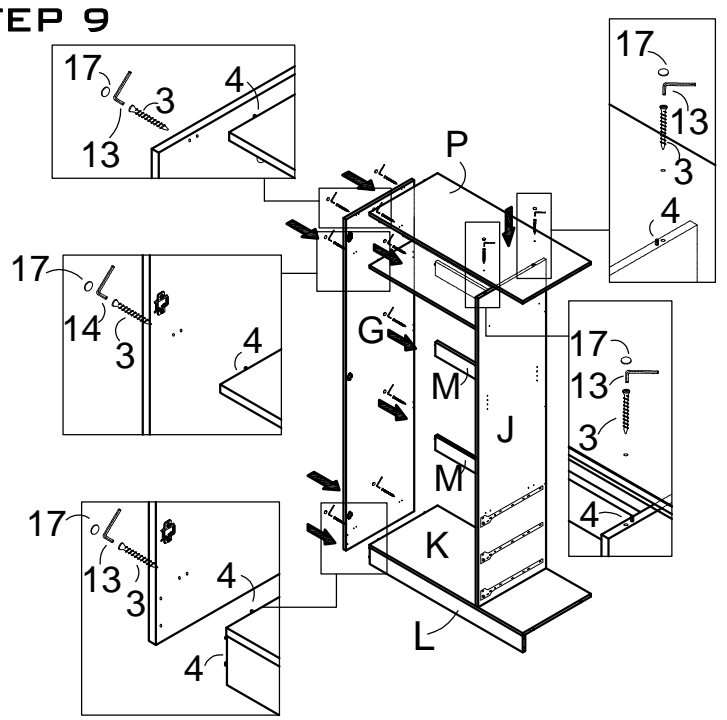


BOTTOM VIEW

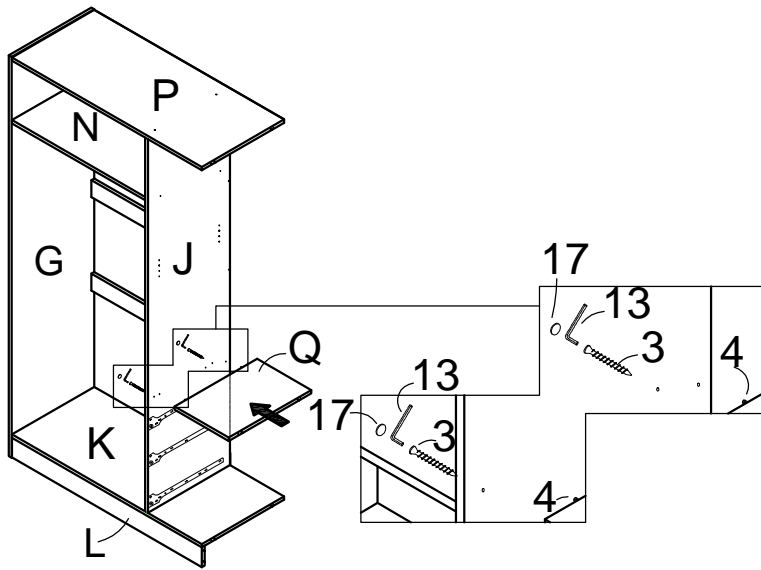
STEP 8



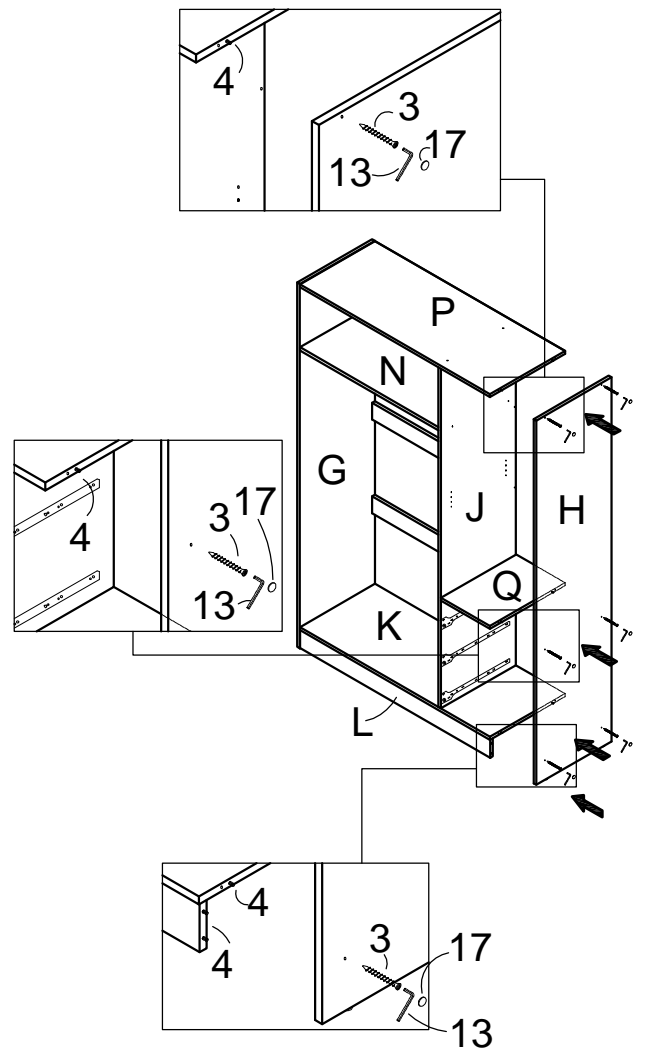
STEP 9



STEP 10



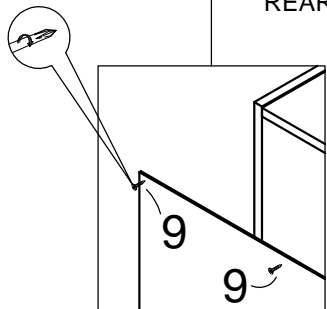
STEP 11



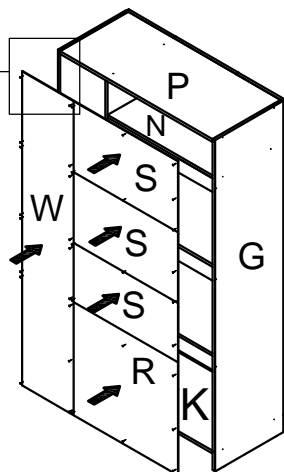
STEP 12

SCREW DRIVER
NOT PROVIDED

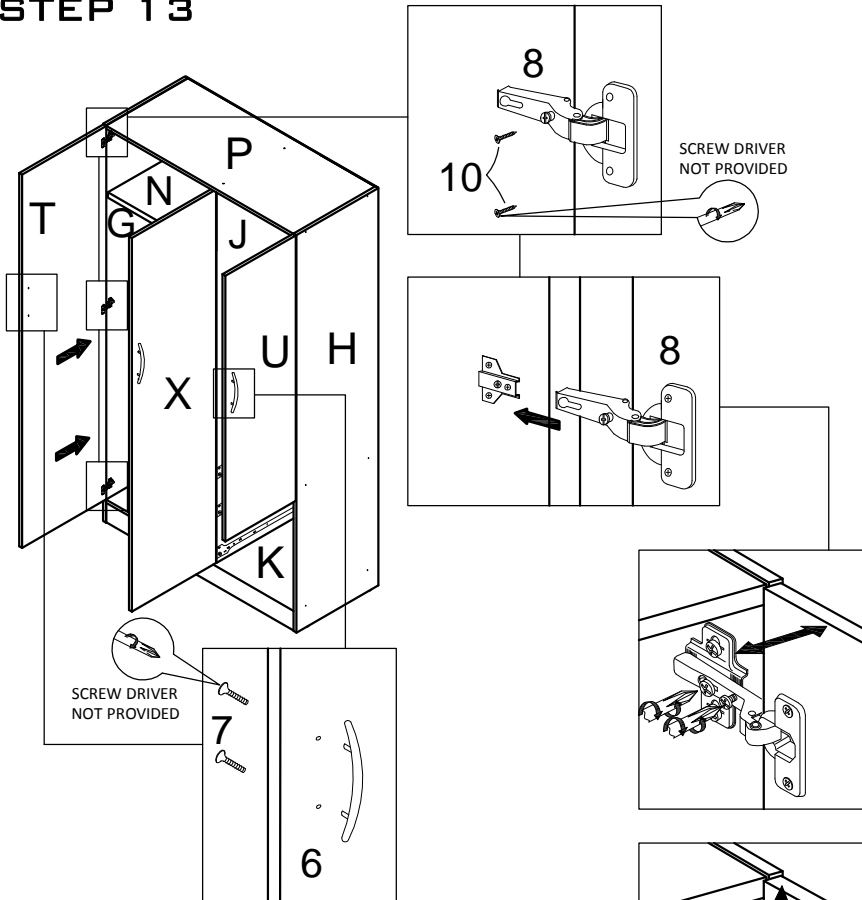
REAR VIEW



FIX BACK PANEL

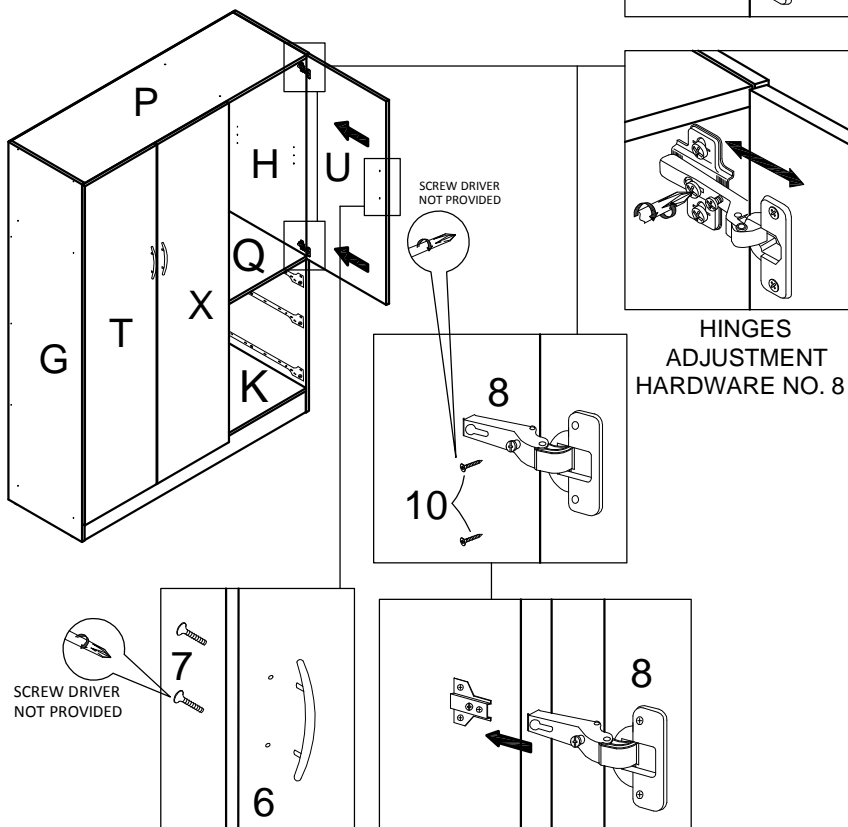


STEP 13



FIX DOOR PANEL CAREFULLY

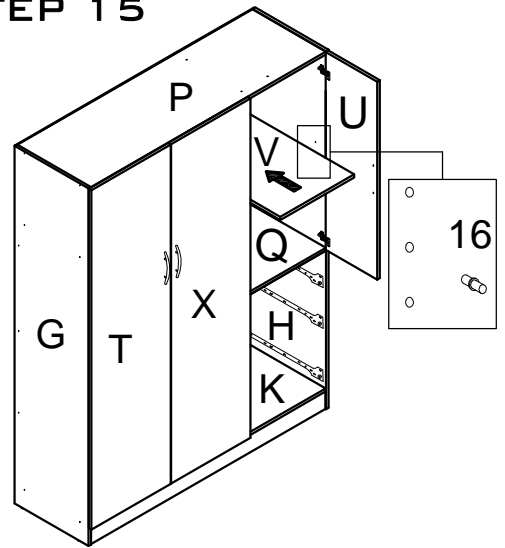
STEP 14



HINGES
ADJUSTMENT
HARDWARE NO. 8

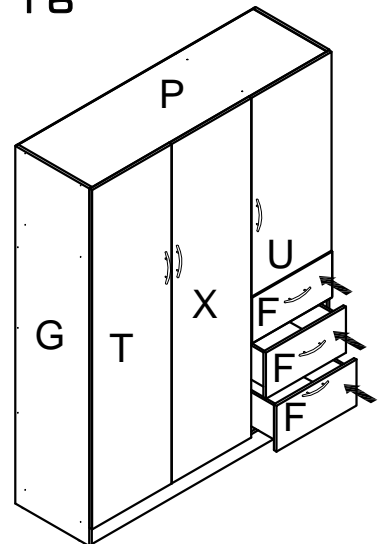
FIX DOOR PANEL CAREFULLY

STEP 15



INSERT SHELF PANEL

STEP 16



INSERT DRAWER 2 UNITS

COMPLETE ASSEMBLED

OPTION B	OPTION A
<p>CONCRETE WALL</p> <p>* Drilling a hole as marked point for Wall Plug insert. Wall Plug (with screw) only used for concrete wall.</p>	<p>CONCRETE WALL</p> <p>* Drilling a hole as marked point for Wall Plug insert. Wall Plug (with screw) only used for concrete wall.</p>
<p>WOODEN WALL</p> <p>* Marking a point on wooden wall for fixing screw. Use screw only (without Wall Plug) for wooden wall.</p>	<p>WOODEN WALL</p> <p>* Marking a point on wooden wall for fixing screw. Use screw only (without Wall Plug) for wooden wall.</p>
<p>TOP PANEL BACK SIDE</p> <p>* Then insert screw to the back side of the top panel. 10mm depth only.</p>	<p>TOP PANEL</p> <p>* Then insert screw to the upper surface on top panel. 10mm depth only.</p>
<p>TOP PANEL BACK SIDE</p> <p>* Use Cable Tied to hold the furniture for safety purpose.</p>	<p>TOP PANEL</p> <p>* Use Cable Tied to hold the furniture for safety purpose.</p>

