

INSTRUCTION MANUAL



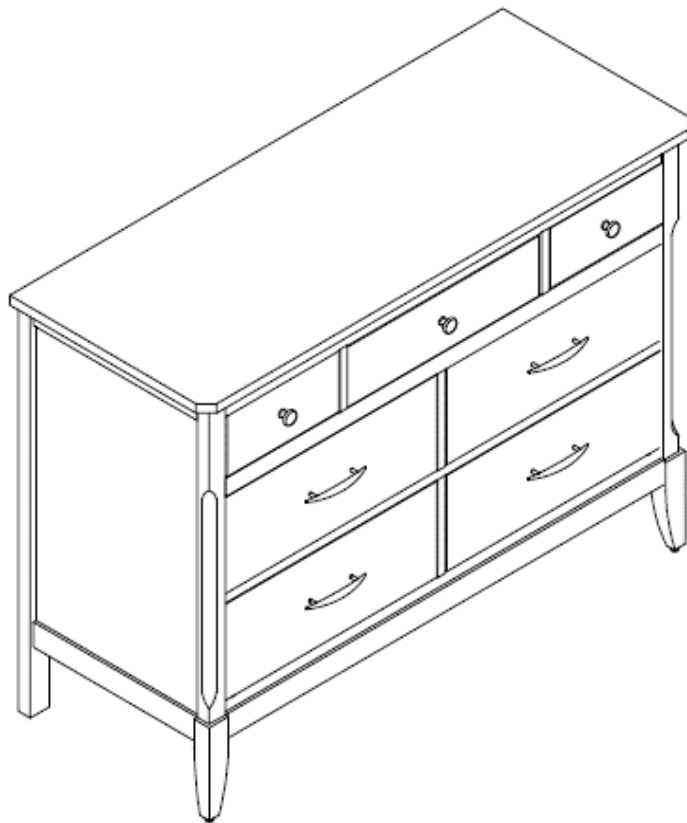
Model No:

DA7325-1 (Walnut)

Alvar 7-Drawer Dresser

UPC CODE:

0-65857-17231-7



NOTE:

THIS INSTRUCTION BOOKLET
CONTAINS **IMPORTANT** SAFETY
INFORMATION. PLEASE READ AND
KEEP FOR FUTURE REFERENCE.

Lot number:

(TAKEN FROM CARTON)

Date of purchase:

____ / ____ / ____

DO NOT RETURN PRODUCT TO THE STORE.

If a part is missing or damaged, contact our customer service department. We will replace the part **FREE** of charge.



Tel #: 1-800-295-1980
E-Mail: das@dorel.com
Fax #: 514-353-7819

CUSTOMER SERVICE

If you are missing parts or have any questions about this product, contact our customer service representative first!

 **CALL 1-800-295-1980**

You can also order parts by writing to the address listed below. Please include the product model number, color and a detailed description of the part.

Customer Service Department No. 413
12345 Albert-Hudon Boulevard, Suite 100

Montreal, Quebec

Canada H1G 3L1

E-MAIL: das@dorel.com

NOTES

- * Ensure all parts and components are present before beginning assembly.
- * Assemble on a soft, smooth surface to prevent damage to the product finish.
- * Use the wall safety strap provided to secure the unit to the wall.
- * A Phillips head screw driver is not included.
- * **DO NOT** use power tools.
- * **CAUTION:** Adult assembly required.
- * Assembly will require two people.
- * To avoid unnecessary damage, when levelers have been extended, **DO NOT** drag across surface when moving. Be sure to lift and carry the item to its location.
- * Estimated assembly time: 60 minutes.

WARNING

Serious or fatal crushing injuries can occur from furniture tipover. To help prevent tipover:

- * Install tipover restraint provided.
- * Place heaviest items in the lower drawers.
- * Unless specifically designed to accommodate, do not set TVs or other heavy objects on top of this product.
- * Never allow children to climb or hang on drawers, doors or shelves.
- * Never open more than one drawer at a time.
- * Do not defeat or remove the drawer interlock system.
- * Use of tipover restraints may only reduce, but not eliminate, the risk of tipover.

CARE AND CLEANING

Dust regularly with a soft, lint-free cloth to prevent soil build-up. A damp cloth may be used occasionally to clean surface. Dry immediately. Do not use any abrasives that may damage finish. Excessive exposure to sunlight and extreme changes in temperature and moisture can damage wood furniture.

MAINTENANCE

Check bolts/screws periodically and tighten them if necessary.

LIMITED WARRANTY

Dorel warrants its product to be free from defects in material and workmanship and agrees to remedy any such defect. This warranty covers 1 year from the date of original purchase. This warranty is valid only upon presentation of proof of purchase. This is solely limited to the repair or replacement of defective furniture components and no assembly labor is included. This warranty does not apply to any product which has been improperly assembled, subjected to misuse or abuse or which has been altered or repaired in any way. This warranty gives you specific legal rights and you may also have other rights which vary from State to State.

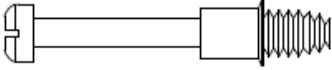


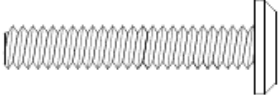
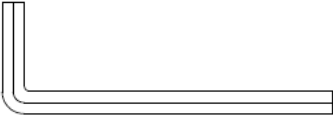
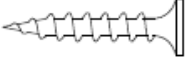
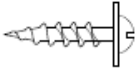
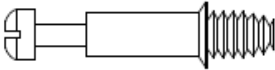





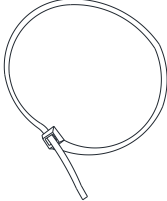


WARNING: Should this product become damaged, and/or components are broken or missing, DO NOT USE.

Alvar 7-Drawer Dresser

DA7325-1

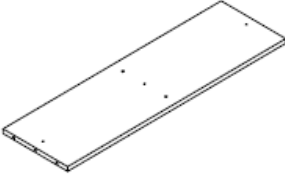


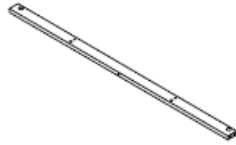
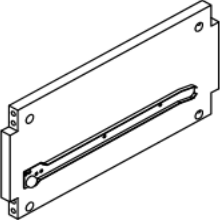
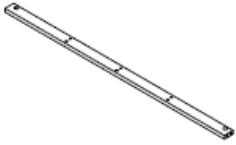

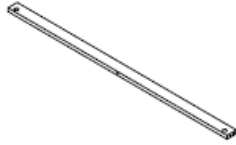
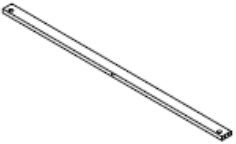
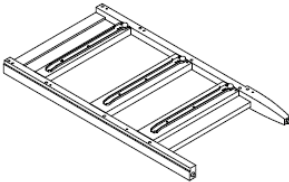
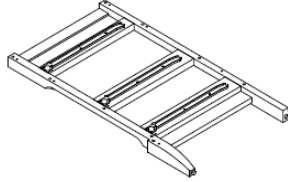

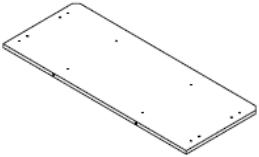
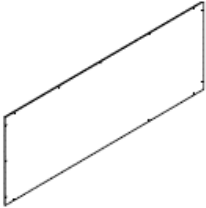
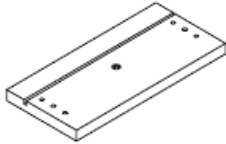
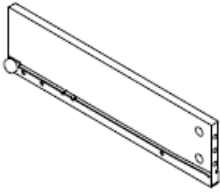
HARDWARE LIST

1		2		3	
LARGE CAM BOLT 34 PCS		Ø8 X 30mm LARGE WOOD DOWEL 37 PCS		LARGE CAM LOCK 34 PCS	
4		5		6	
1/4" x 35mm LARGE BOLT 1 PC		ALLEN KEY 1 PC		Ø4 X 25mm SCREW 34 PCS	
7		8		9	
Ø3 X 15mm SCREW 16 PCS		SMALL CAM BOLT 28 PCS		Ø6 X 20mm SMALL WOOD DOWEL 22 PCS	
10		11		12	
SMALL CAM LOCK 28 PCS		Ø5/32" x 20mm SMALL BOLT 11 PCS		KNOB 3 PCS	
13		14			
HANDLE 4 PCS		SAFETY STRAP 1 KIT			

Alvar 7-Drawer Dresser

DA7325-1

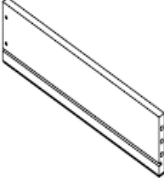
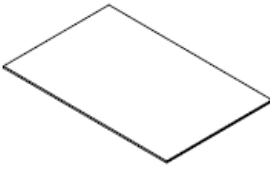
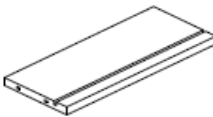
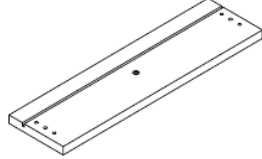
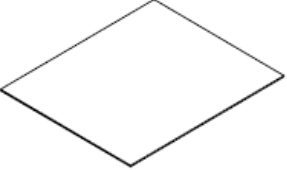
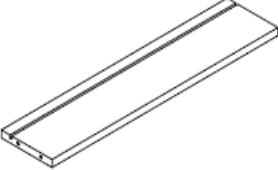
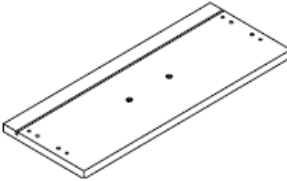
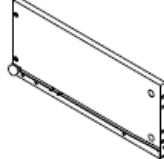
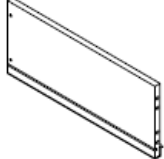
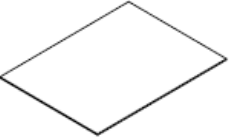
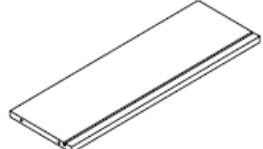
PARTS LIST

<p>A</p> 	<p>B</p> 	<p>C</p> 	<p>D</p> 
<p>BACK BOTTOM PANEL 1 PC</p>	<p>BOTTOM MIDDLE PANEL 1 PC</p>	<p>BACK MIDDLE RAIL 1 PC</p>	<p>TOP RAIL 2 PCS</p>
<p>E</p> 	<p>F</p> 	<p>G</p> 	<p>H</p> 
<p>TOP MIDDLE PANEL 2 PCS</p>	<p>FRONT MIDDLE RAIL 1 PC</p>	<p>FRONT BOTTOM RAIL 1 PC</p>	<p>FRONT MIDDLE RAIL 1 PC</p>
<p>I</p> 	<p>J</p> 	<p>K</p> 	<p>L</p> 
<p>SUPPORT RAIL 1 PC</p>	<p>RIGHT SIDE PANEL 1 PC</p>	<p>LEFT SIDE PANEL 1 PC</p>	<p>SUPPORT LEG 1 PC</p>
<p>M</p> 	<p>N</p> 	<p>O</p> 	<p>P</p> 
<p>TOP PANEL 1 PC</p>	<p>BACK TOP PANEL 1 PC</p>	<p>SMALL DRAWER FRONT 2 PCS</p>	<p>TOP DRAWER LEFT SIDE 3 PCS</p>

Alvar 7-Drawer Dresser

DA7325-1

PARTS LIST

<p>Q</p> 	<p>R</p> 	<p>S</p> 	<p>T</p> 
<p>TOP DRAWER RIGHT SIDE 3 PCS</p>	<p>SMALL DRAWER BOTTOM 2 PCS</p>	<p>SMALL DRAWER BACK 2 PCS</p>	<p>MEDIUM DRAWER FRONT 1 PC</p>
<p>U</p> 	<p>V</p> 	<p>W</p> 	<p>X</p> 
<p>MEDIUM DRAWER BOTTOM 1 PC</p>	<p>MEDIUM DRAWER BACK 1 PC</p>	<p>LARGE DRAWER FRONT 4 PCS</p>	<p>LARGE DRAWER LEFT SIDE 4 PCS</p>
<p>Y</p> 	<p>Z</p> 	<p>AA</p> 	
<p>LARGE DRAWER RIGHT SIDE 4 PCS</p>	<p>LARGE DRAWER BOTTOM 4 PCS</p>	<p>LARGE DRAWER BACK 4 PCS</p>	

Alvar 7-Drawer Dresser

DA7325-1

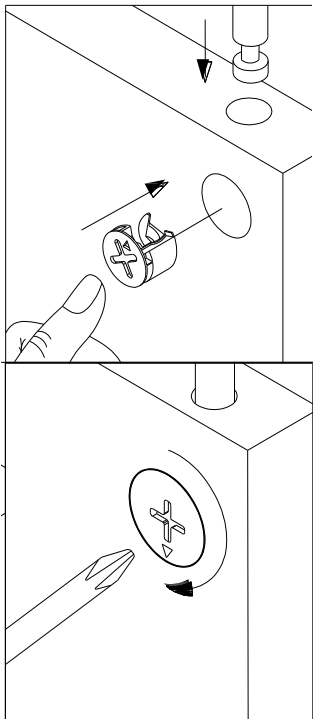
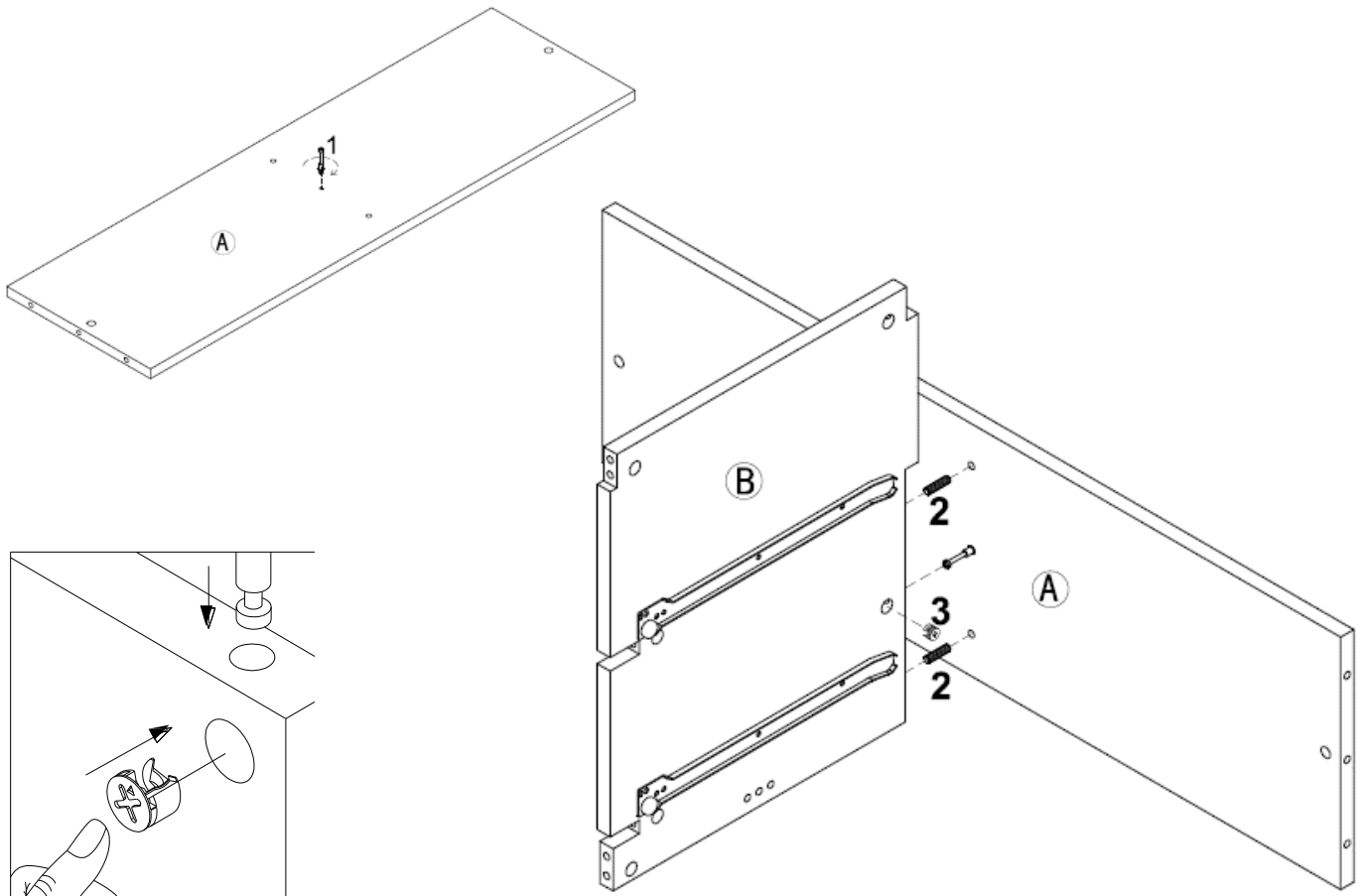
STEP 1

Insert large cam bolt (1) into the back bottom panel (A) as shown.

Insert large cam locks (3) into the bottom middle panel (B).

Attach bottom middle panel (B) to back bottom panel (A) with large wood dowels (2) as shown.

Secure the bottom middle panel (B) by rotating the large cam lock (3) 1/2 turn clockwise using a Phillips head screwdriver (not included).



1		1 PC
2		2 PCS
3		1 PC

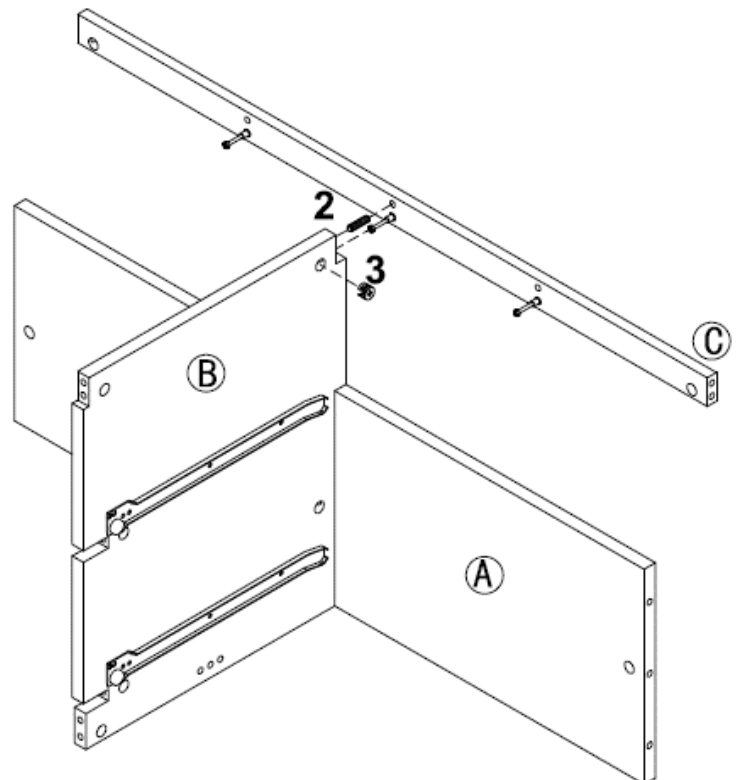
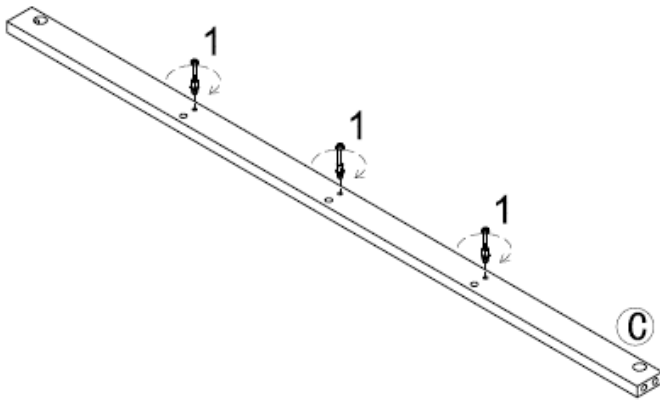
Alvar 7-Drawer Dresser DA7325-1

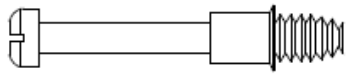


STEP 2

Insert large cam bolts (1) into the back middle rail (C) as shown.

Insert large cam locks (3) into the bottom middle panel (B).

Attach back middle rail (C) to the bottom middle panel (B) with large wood dowel (2) as shown. Secure the back middle rail by rotating the large cam lock (3) on bottom middle panel (B) 1/2 turn clockwise using a Phillips head screwdriver (not included).



1		3PCS
2		1PC
3		1PC

Alvar 7-Drawer Dresser

DA7325-1

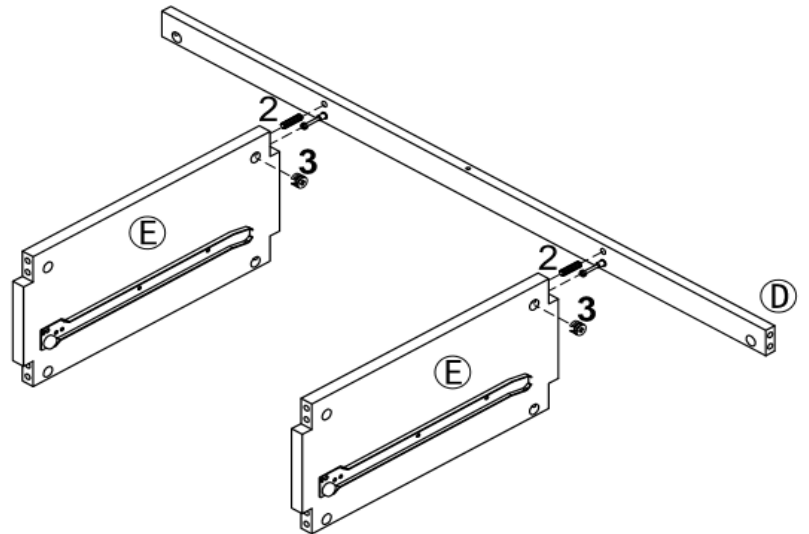
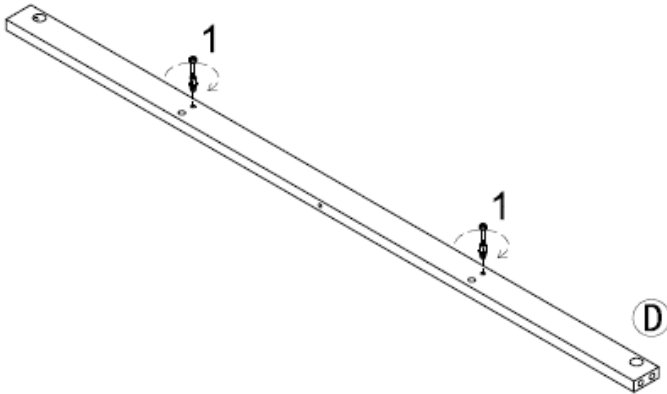
STEP 3




Insert large cam bolts (1) into the top rail (D) as shown.

Insert large cam locks (3) into the top middle panels (E).

Attach top middle panels (E) to the top rail (D) with large wood dowels (2) as shown.

Secure top middle panels (E) to the top rail (D) by rotating the large cam locks (3) on top middle panels (E) 1/2 turn clockwise using a Phillips head screwdriver (not included).



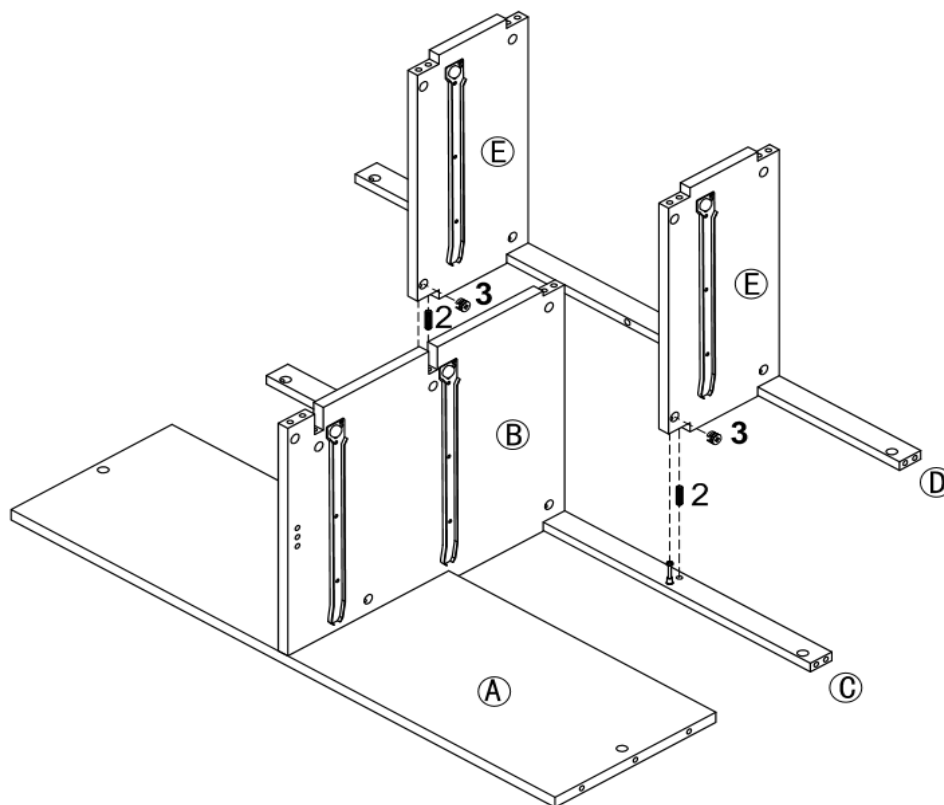
1		2PCS
2		2PCS
3		2PCS


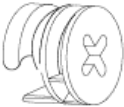
Alvar 7-Drawer Dresser

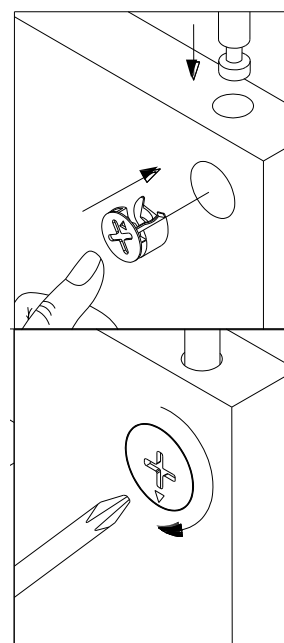
DA7325-1

STEP 4

Insert large cam locks (3) into the top middle panels (E).
Attach top middle panels (E) to the back middle rail (C) with large wood dowels (2) as shown.
Secure top middle panels (E) to the back middle rail (C) by rotating the large cam locks (3) on top middle panels (E) 1/2 turn clockwise using a Phillips head screwdriver (not included).



2		2PCS
3		2PCS



Alvar 7-Drawer Dresser

DA7325-1

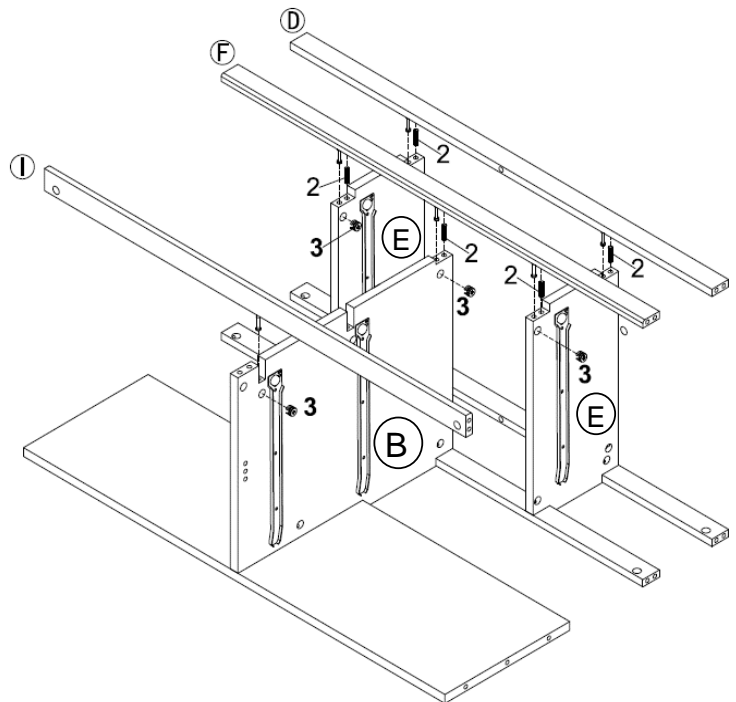
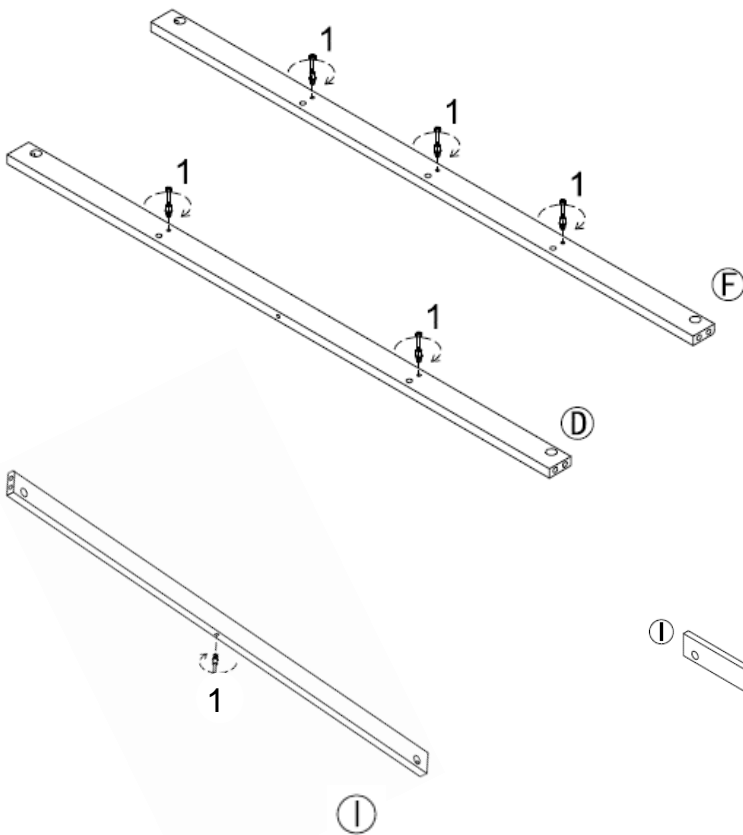
STEP 5

Insert large cam bolts (1) into the rails (I, D & F).

Insert large cam locks (3) and large wood dowels (2) into the top middle panels (E) and bottom middle panel (B) as shown below.

Attach rails (I, D & F) to the assembled.

Secure rails (I, D & F) to the assembled unit by rotating the large cam locks (3) 1/2 turn clockwise using a Phillips head screwdriver (not included).

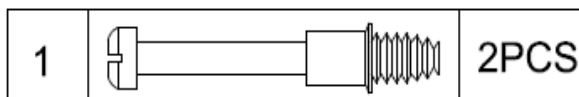
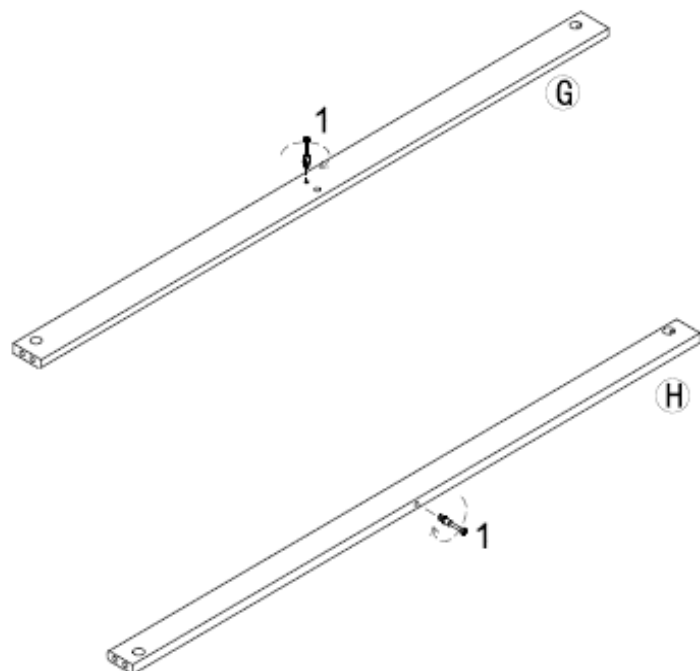


1		6PCS
2		5PCS
3		6PCS

Alvar 7-Drawer Dresser DA7325-1

STEP 6

Insert large cam bolts (1) into front bottom rail (G), mid bottom rail (H) as shown.



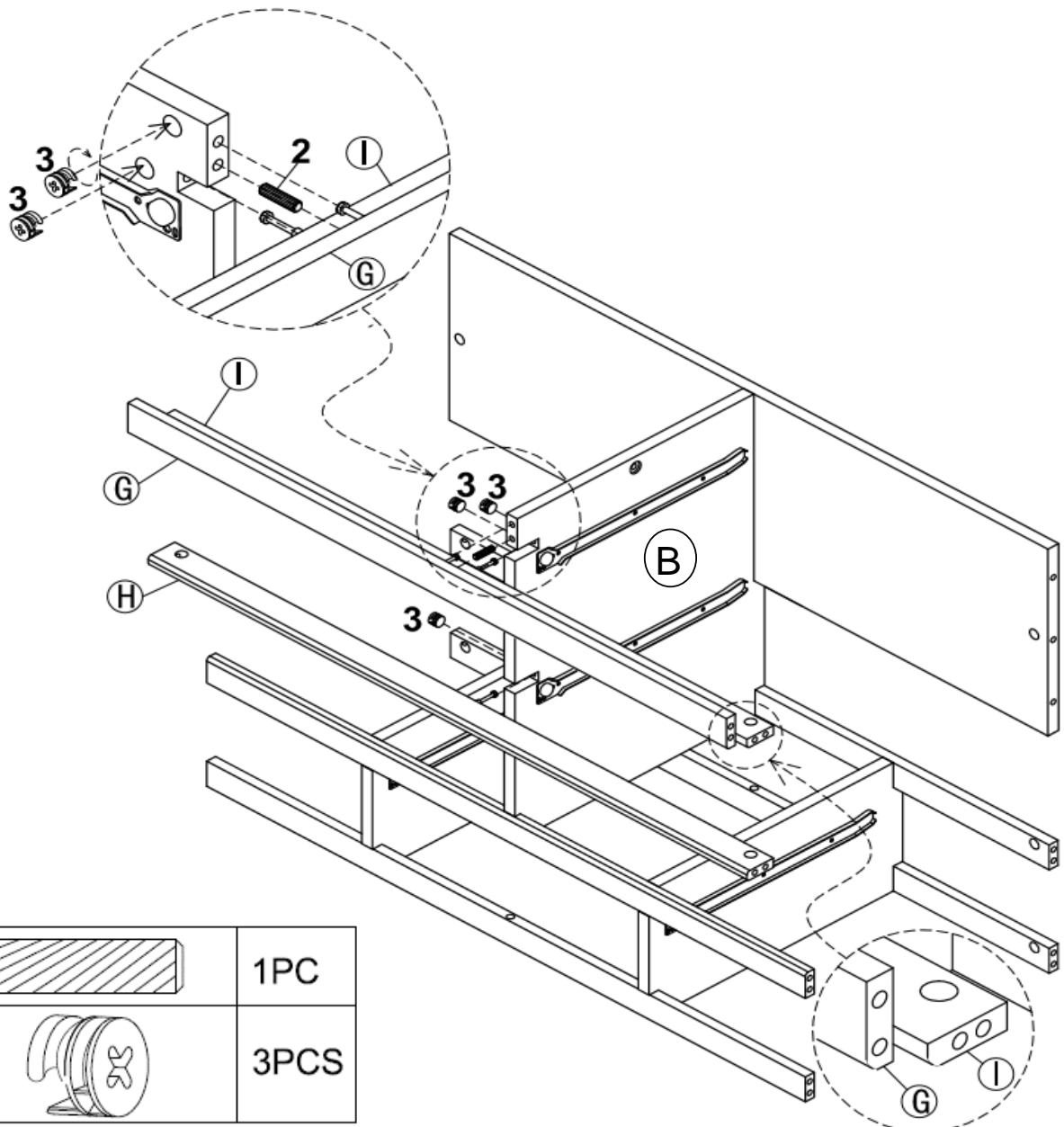
Alvar 7-Drawer Dresser DA7325-1

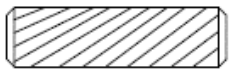

STEP 7

Turn the assembled unit upside down. Insert large wood dowel (2) and large cam locks (3) into the bottom middle panel (B)

Attach rails (G & H) to the assembled unit as shown.

Secure rails (G & H) to the assembled unit by rotating the large cam locks (3) 1/2 turn clockwise using a Phillips head screwdriver (not included).

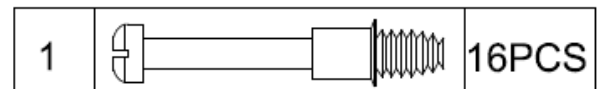
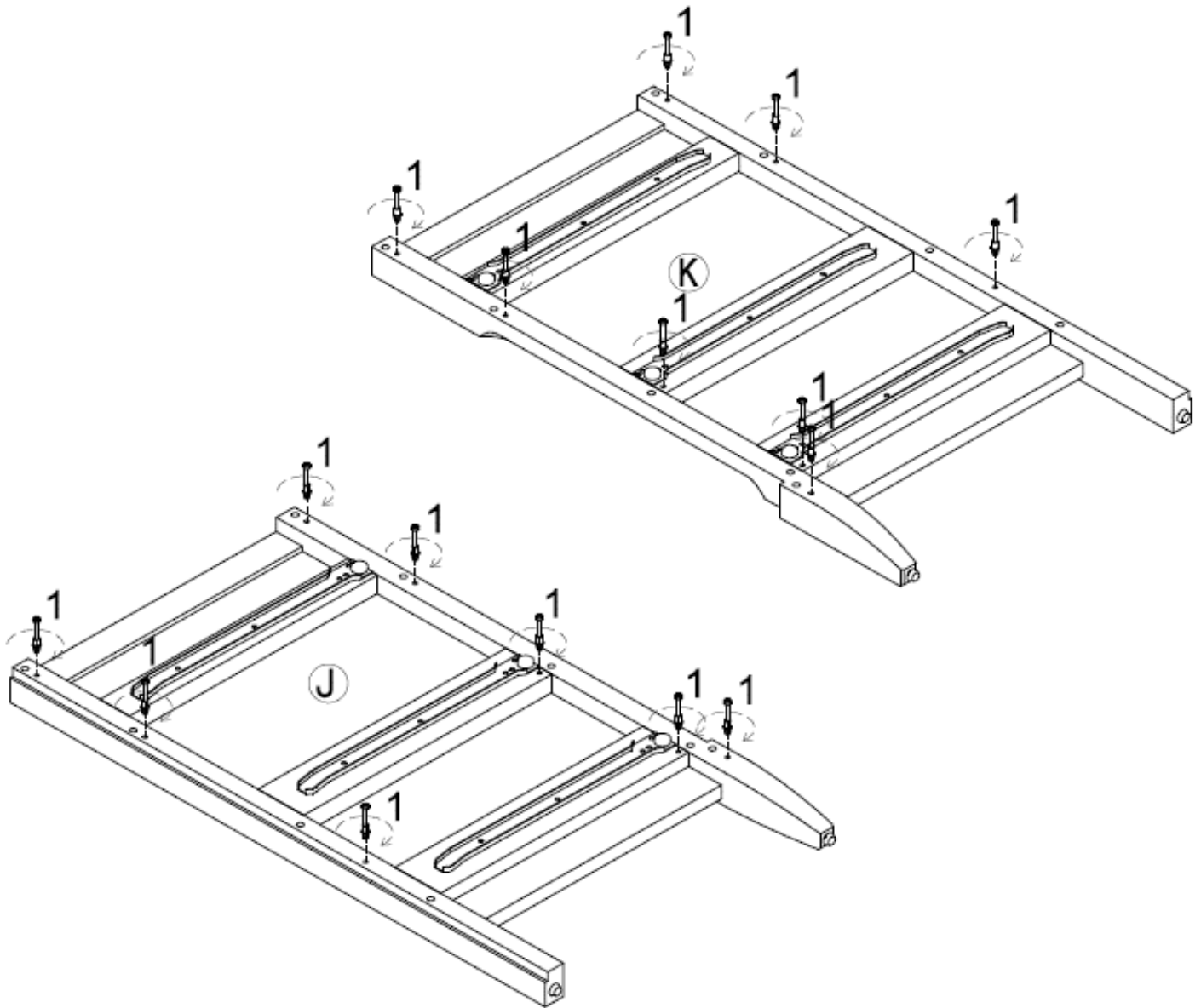


2		1PC
3		3PCS

Alvar 7-Drawer Dresser DA7325-1

STEP 8

Insert large cam bolts (1) into the right & left side panels (J & K) as shown.



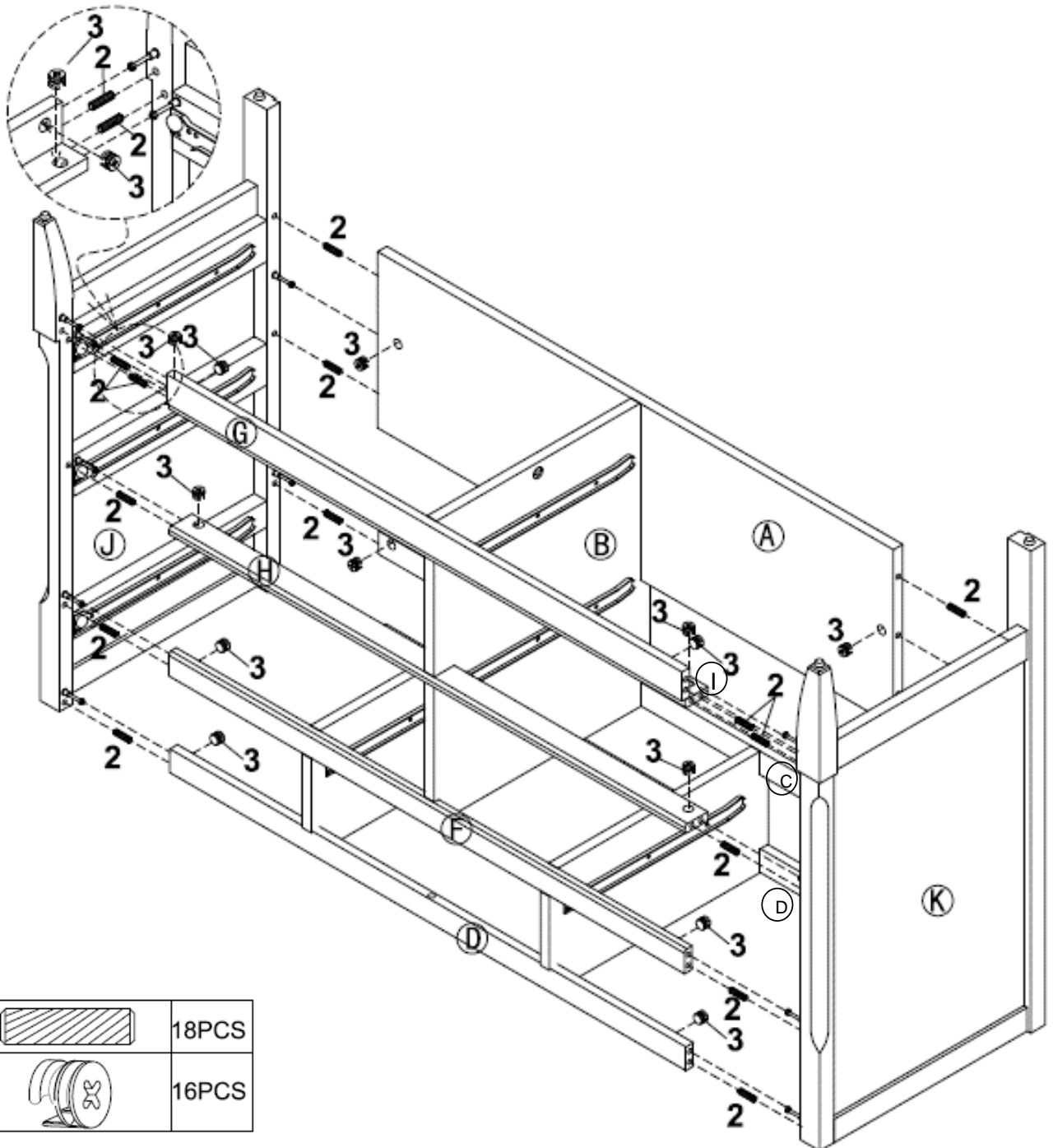
Alvar 7-Drawer Dresser DA7325-1



STEP 9

Insert large wood dowels (2) and large cam locks (3) into the rails (G, I, H, F, C and D) and back bottom panel (A) as shown.

Attach side panels (J & K) to the assembled.

Secure side panels (J & K) to the assembled unit by rotating the large cam locks (3) 1/2 turn clockwise using a Phillips head screwdriver (not included).



2		18PCS
3		16PCS

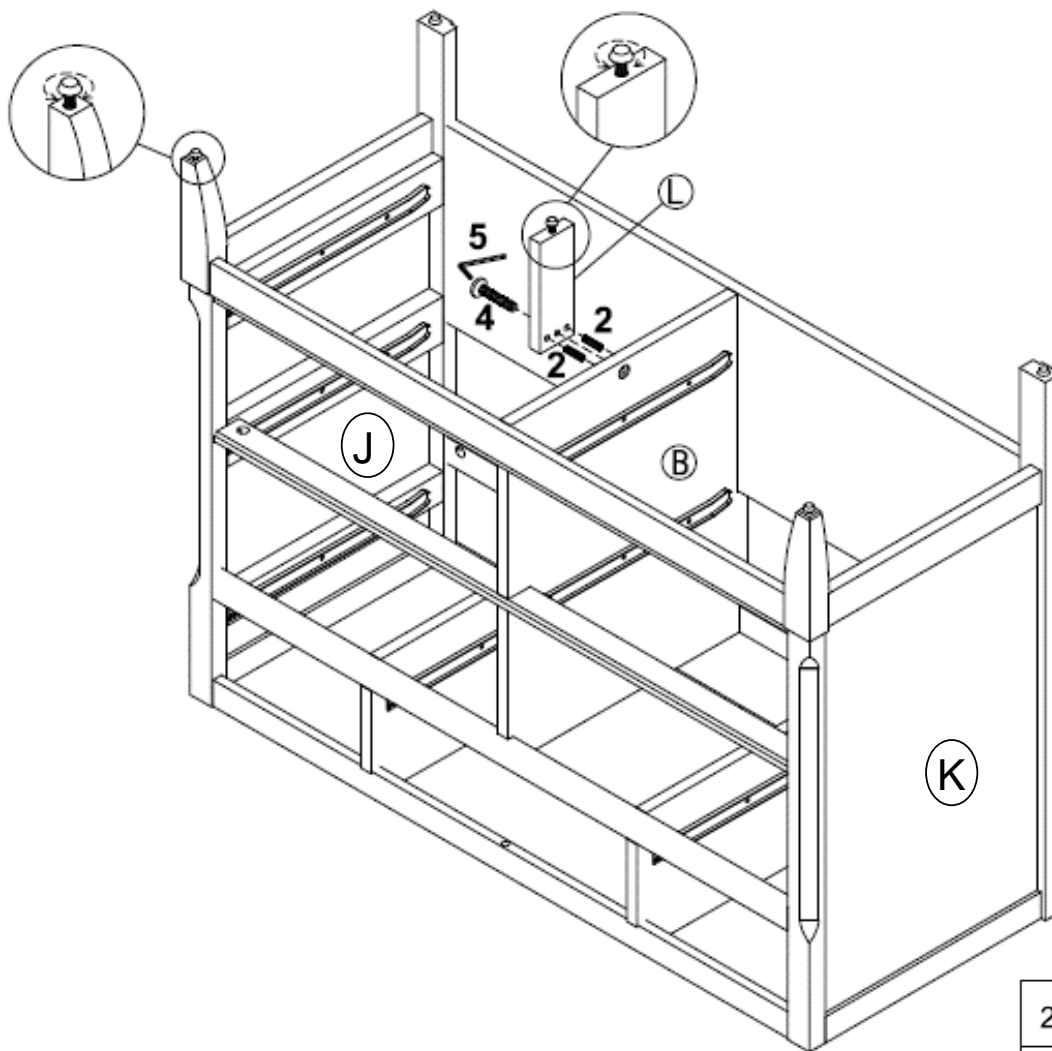
Alvar 7-Drawer Dresser DA7325-1




STEP 10

Attach support leg (L) to the bottom middle panel (B) with large bolt (4) and large wood dowels (2) as shown.

Use Allen key (5) to tighten the bolts.

NOTE- The support leg (L) and side frames (J & K) are equipped with adjustable levelers. Once assembly is complete and the unit is in the desired location, rotate the adjustable levelers clockwise or counterclockwise until it rests evenly on the floor.

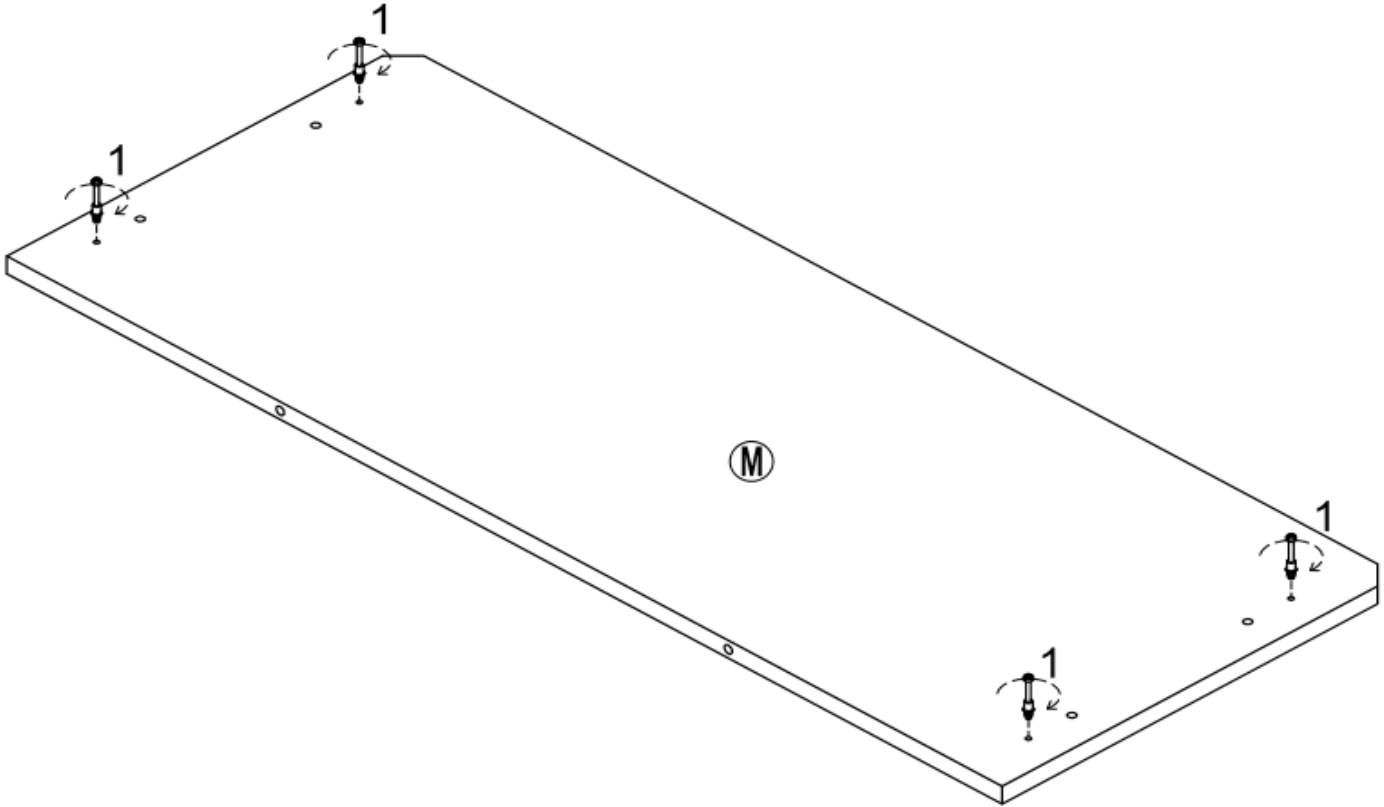


2		2PCS
4		1PC
5		

Alvar 7-Drawer Dresser DA7325-1

STEP 11

Insert large cam bolts (1) into the top panel (M) as shown.



Alvar 7-Drawer Dresser

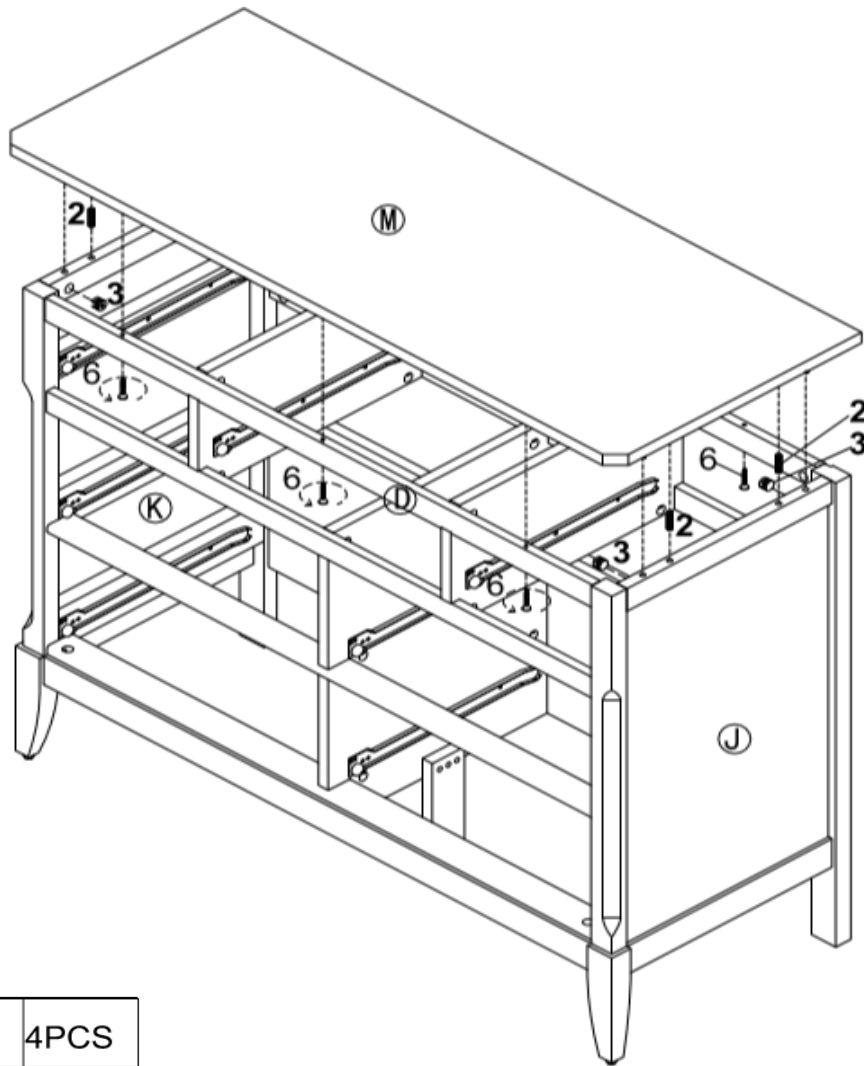
DA7325-1

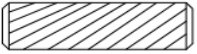

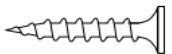
STEP 12

Insert large wood dowels (2) and large cam locks (3) into the left side panel (K) and right side panel (J) as shown.

Place top panel (M) on the assembled unit.

Secure top panel (M) to the assembled unit with screw (6) and by rotating large cam locks (3) 1/2-turn clockwise using a Phillips head screwdriver (not included).



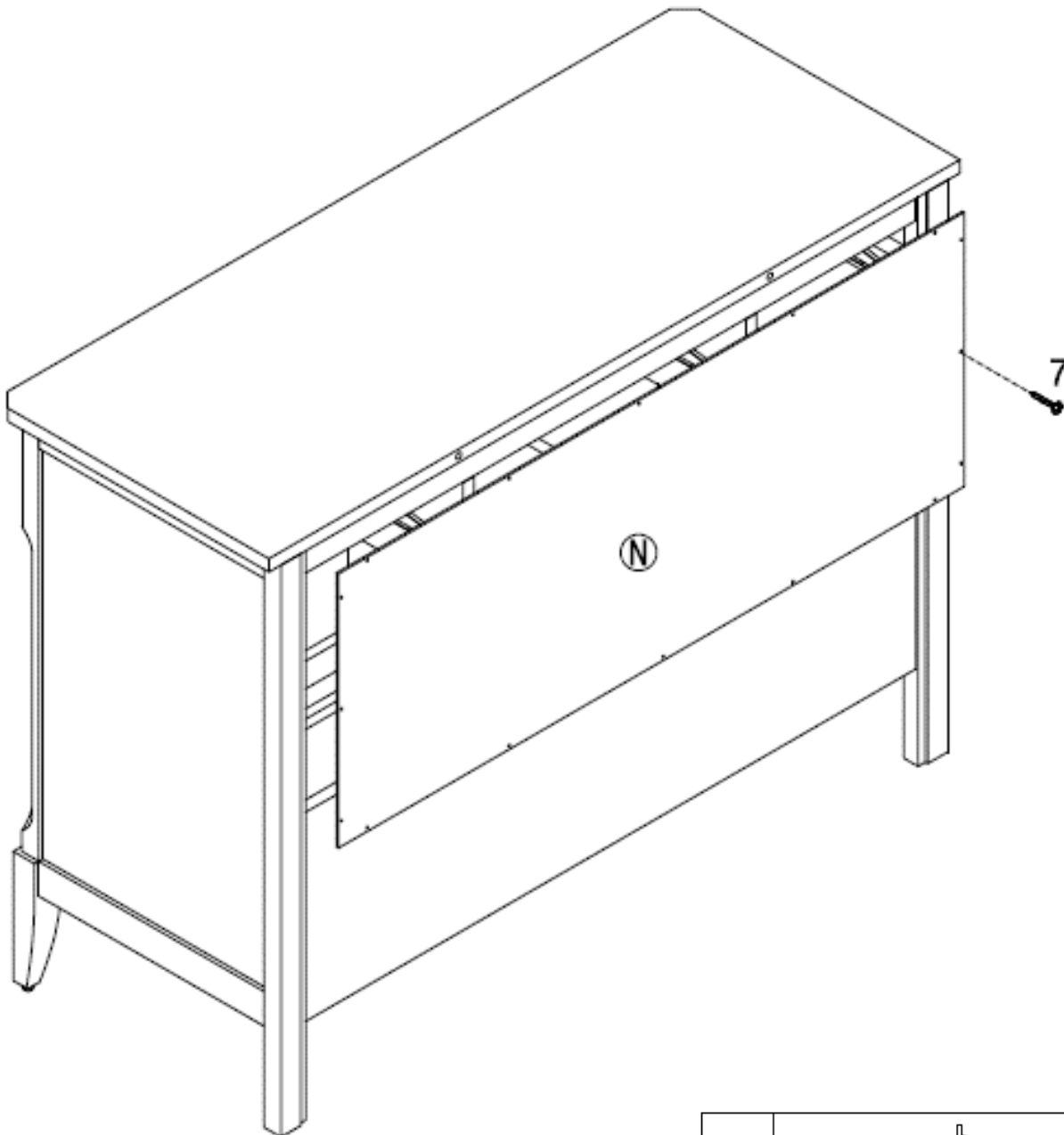
2		4PCS
3		4PCS
6		6PCS

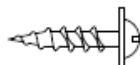
Alvar 7-Drawer Dresser DA7325-1

STEP 13

Attach back top panel (N) to the assembled unit with screws (7) as shown.

Use a Phillips head screwdriver (not included) to tighten the screws.



7		16PCS
---	---	-------

Alvar 7-Drawer Dresser DA7325-1

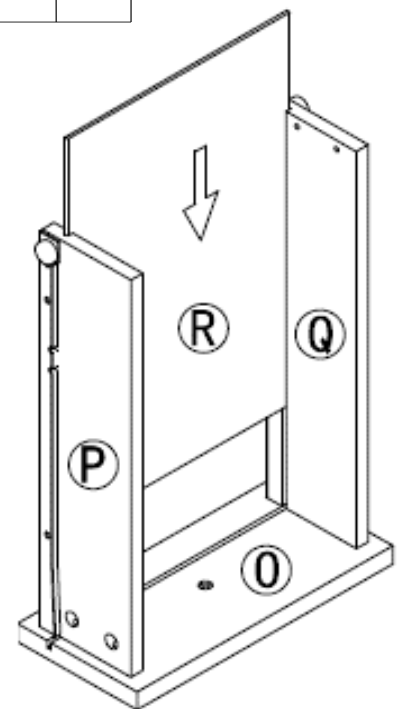
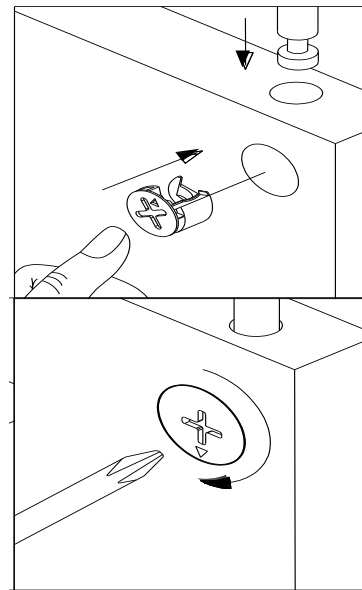
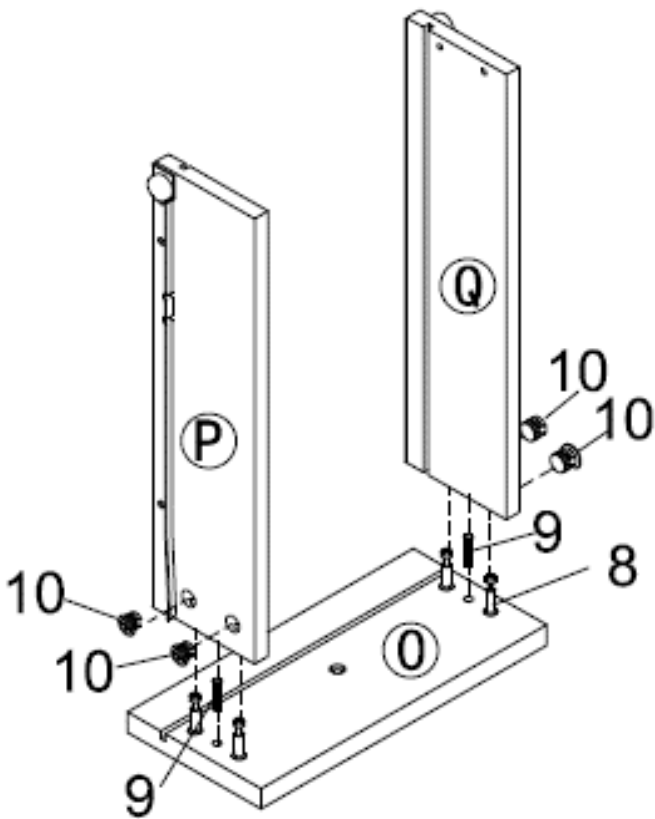
STEP 14

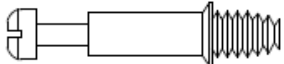
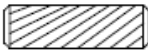

Insert small cam bolts (8) and small wood dowels (9) into the small drawer front (O).

Insert small cam locks (10) into the top drawer left and right sides (P & Q).

Attach drawer left and right sides (P & Q) to small drawer front (O). Secure the drawer sides by rotating small cam locks (10) 1/2-turn clockwise using a Phillips head screwdriver (not included).

Slide the small drawer bottom (R) into the grooves of drawer left and right sides (P & Q) and small drawer front (O).



8		8PCS
9		4PCS
10		8PCS

Alvar 7-Drawer Dresser DA7325-1

STEP 15

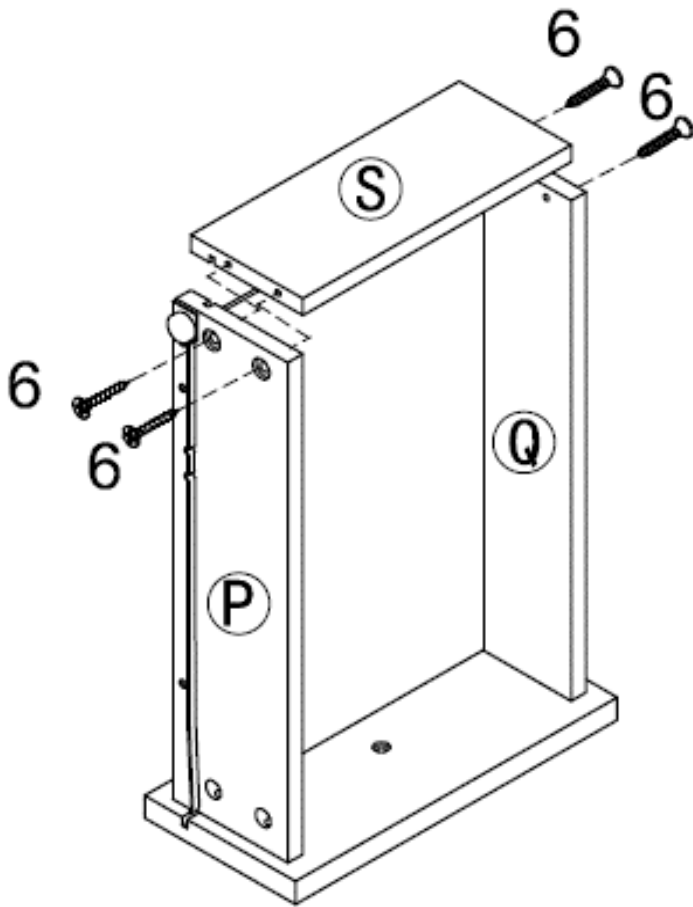
Attach small drawer back (S) to the top drawer left and right sides (P & Q) with screws (6).

Use a Phillips head screwdriver (not included) to tighten the screws.

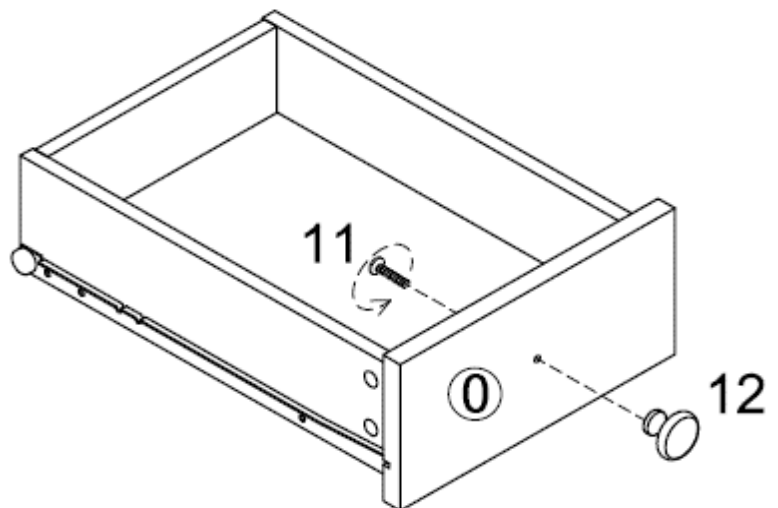
Attach knob (12) to the small drawer front (O) with small bolts (11).

Use a Phillips head screwdriver (not included) to tighten the bolt.

Repeat steps 14 and 15 to assemble the other small drawer.



6		8PCS
11		2PCS
12		2PCS



Alvar 7-Drawer Dresser

DA7325-1

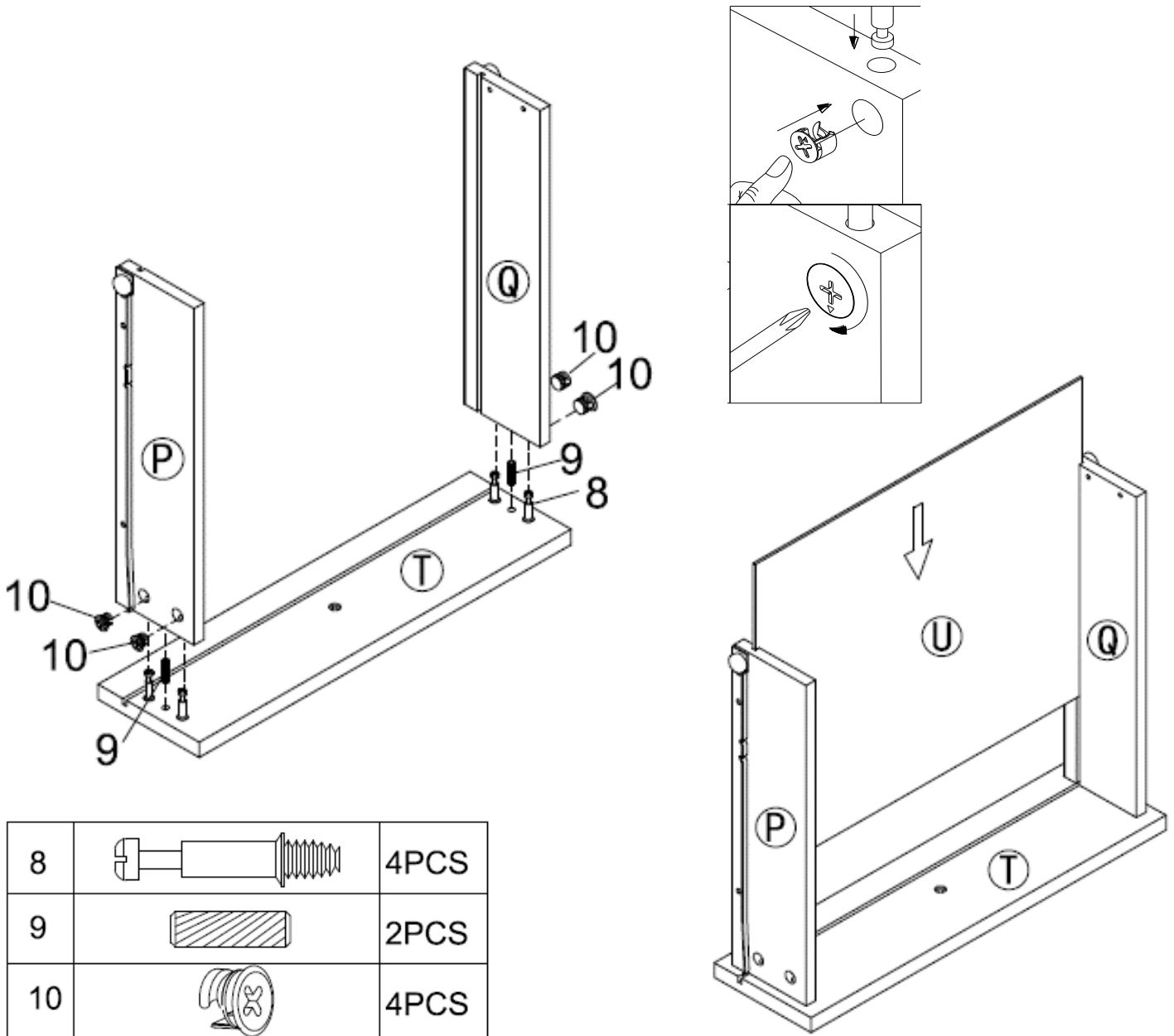
STEP 16

Insert small cam bolts (8) and small wood dowels (9) into the medium drawer front (T).

Insert small cam locks (10) into the top drawer left and right sides (P & Q).

Attach top drawer left and right sides (P & Q) to the medium drawer front (T). Secure the drawer sides by rotating small cam locks (10) 1/2-turn clockwise using a Phillips head screwdriver (not included).

Slide the medium drawer bottom (U) into the grooves of top drawer left and right sides (P & Q) and medium drawer front (T).



Alvar 7-Drawer Dresser

DA7325-1

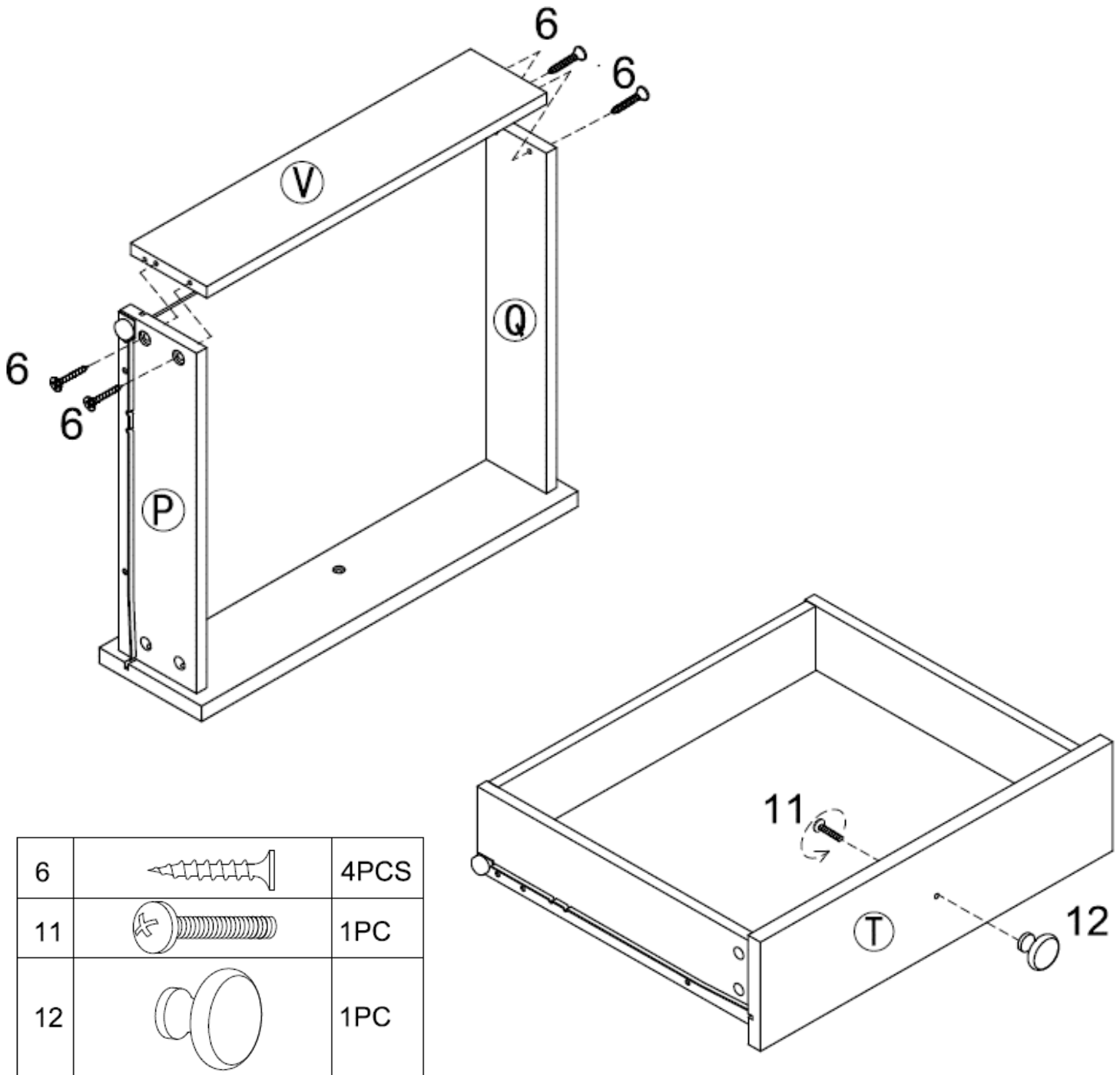
STEP 17

Attach medium drawer back (V) to the top drawer left and right sides (P & Q) with screws (6).

Use a Phillips head screwdriver (not included) to tighten the screws.

Attach knob (12) to the medium drawer front (T) with small bolt (11).

Use a Phillips head screwdriver (not included) to tighten the bolt.



Alvar 7-Drawer Dresser

DA7325-1

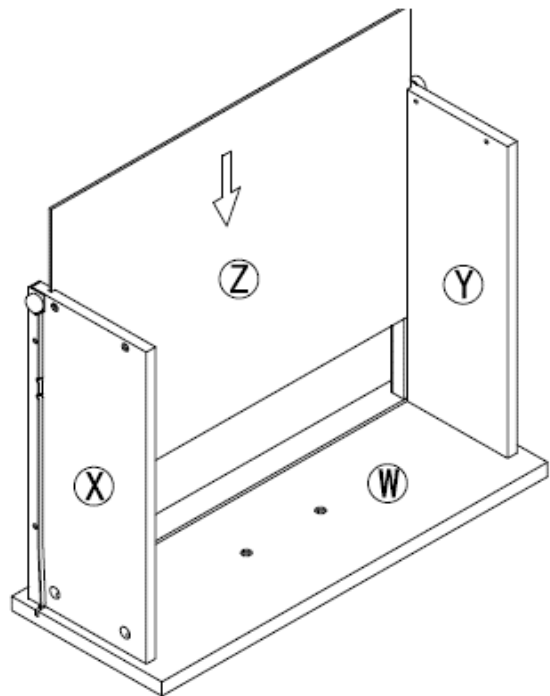
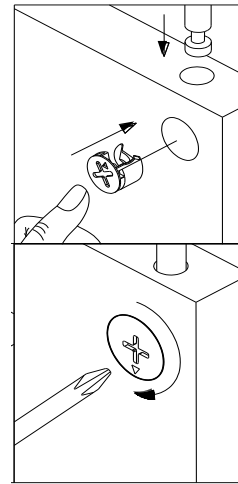
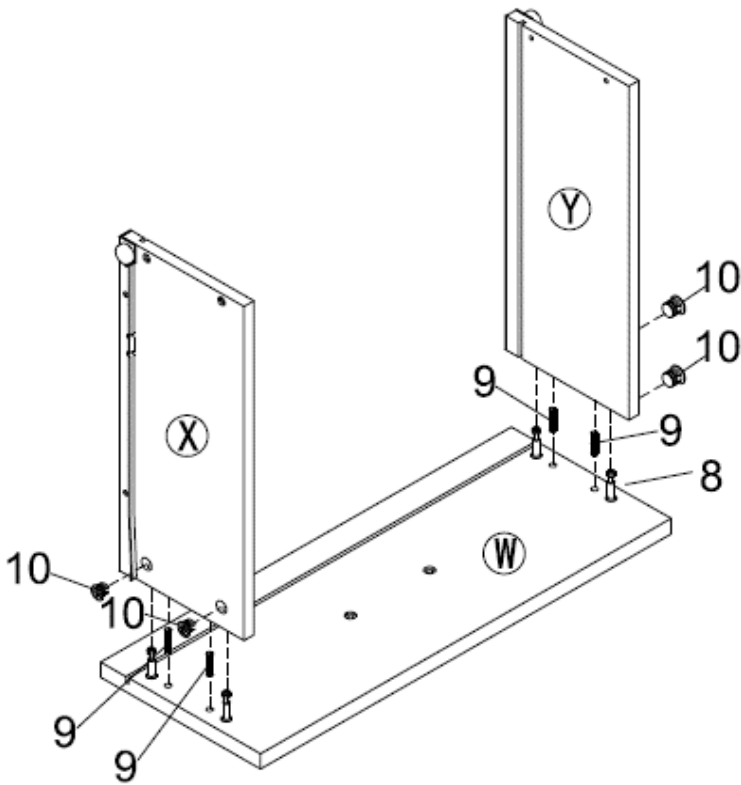
STEP 18

Insert small cam bolts (8) and small wood dowels (9) into large drawer front (W).

Insert small cam locks (10) into the large drawer left and right sides (X & Y).

Attach large drawer left and right sides (X & Y) to the large drawer front (W). Secure the drawer sides by rotating small cam locks (10) 1/2-turn clockwise using a Phillips head screwdriver (not included).

Slide the large drawer bottom (Z) into the grooves of large drawer left and right sides (X & Y) and drawer large front (W).



8		16PCS
9		16PCS
10		16PCS

Alvar 7-Drawer Dresser

DA7325-1

STEP 19

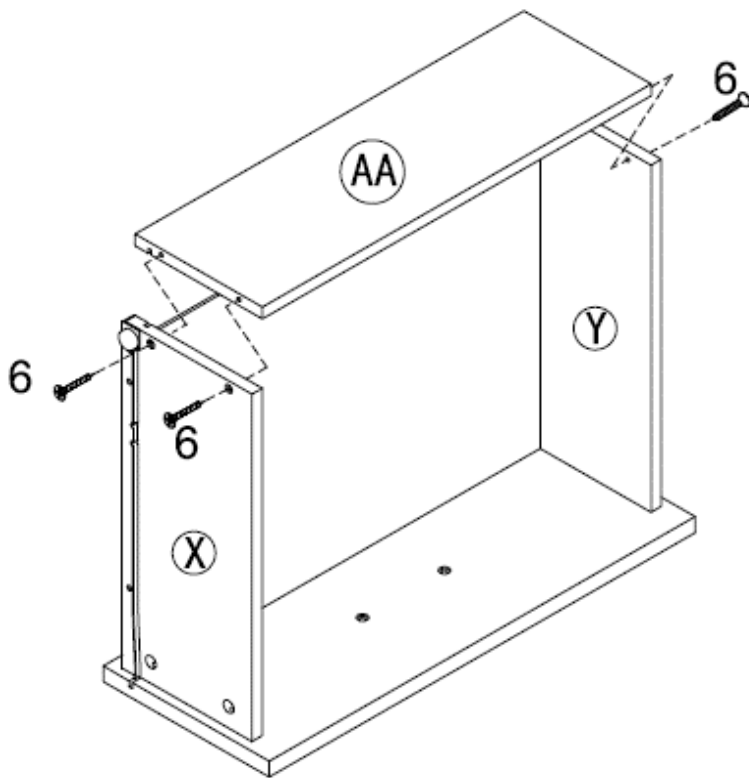
Attach large drawer back (AA) to the large drawer sides (X & Y) with screws (6).

Use a Phillips head screwdriver (not included) to tighten the screws.

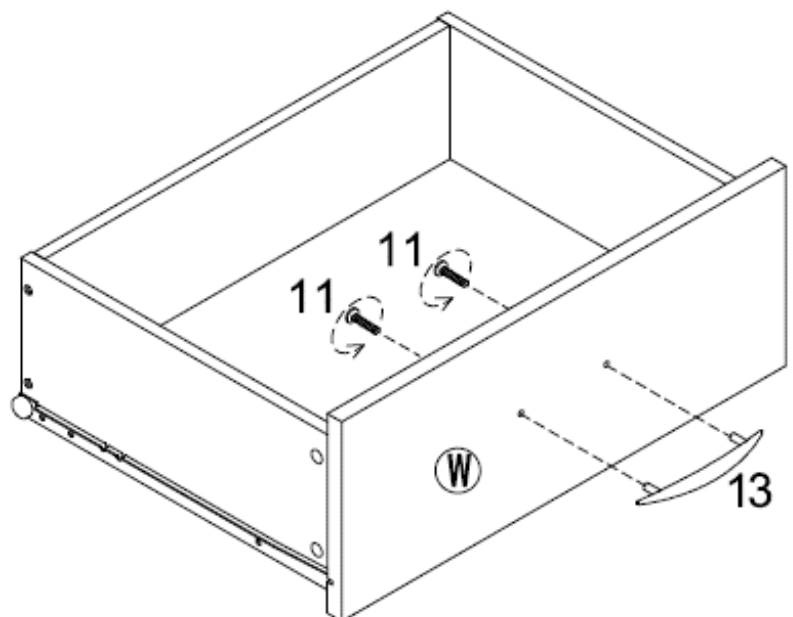
Attach handle (13) to drawer front (W) with small bolts (11).

Use a Phillips head screwdriver (not included) to tighten the bolts.

Repeat steps 18 and 19 to assemble the other large drawers.



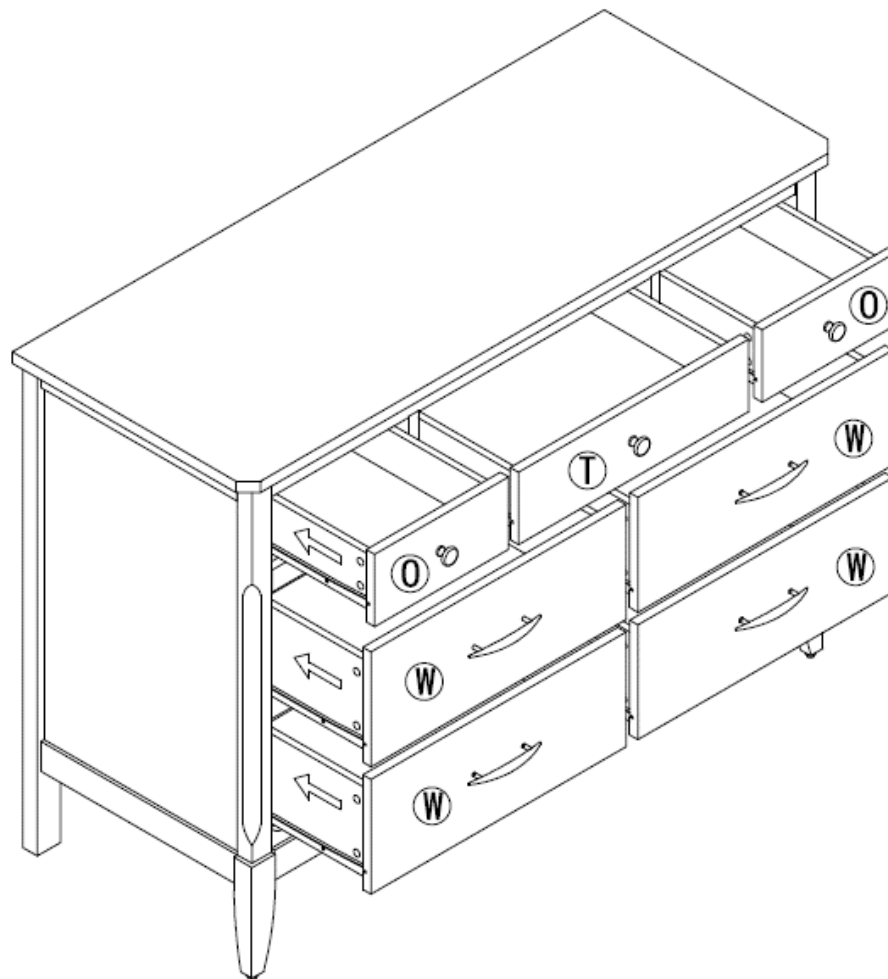
6		16PCS
11		8PCS
13		4PCS



Alvar 7-Drawer Dresser DA7325-1

STEP 20

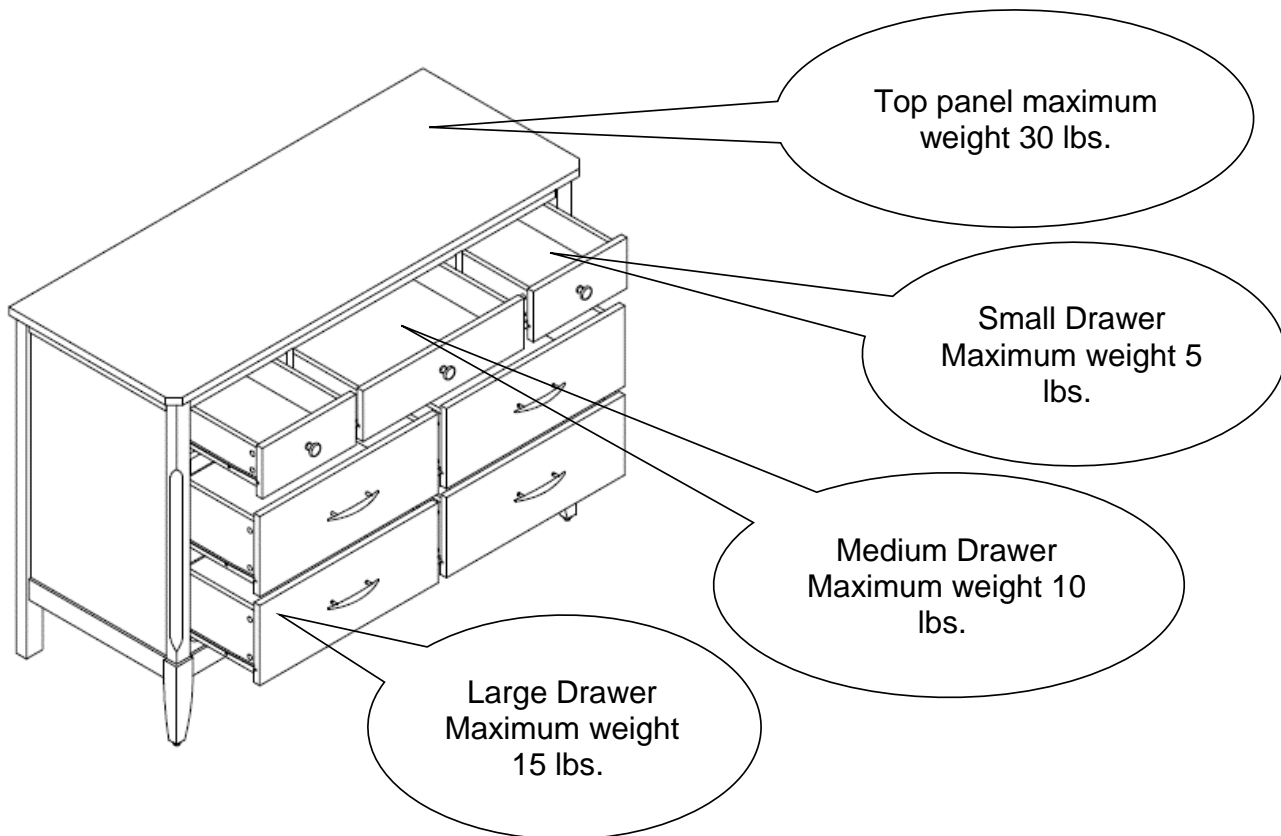
Insert all the drawers into the assembled unit.



Alvar 7-Drawer Dresser

DA7325-1

! CAUTION: This unit is intended for use only with the products and/or maximum weights indicated. Use with other products and/or products heavier than the maximum weights indicated may result in instability or cause possible injury.



That's it! You've finished assembling your 7-Drawer Dresser!

DO NOT RETURN PRODUCT TO THE STORE.

If a part is missing or damaged, contact our customer service department. We will replace the part **FREE** of charge.



Tel #: 1-800-295-1980
E-Mail: das@dorel.com
Fax #: 514-353-7819

Customer Service

PLEASE DO NOT RETURN THIS PRODUCT TO THE STORE

PLEASE CONTACT CUSTOMER SERVICE REPRESENTATIVES AT THE FOLLOWING NUMBERS SHOULD THERE BE ANY MISSING OR DEFECTIVE PART(S).

Customer Service Phone Number 1-800-295-1980	Email: das@dorel.com
Customer Service Fax Number 514-353-7819	

Request Date:

Name:

Shipping Address:

Street & Number:

City & State:

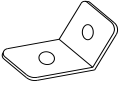



Zip Code:

Day Time Phone Number:
(including area code)

Date & Place of Purchase:

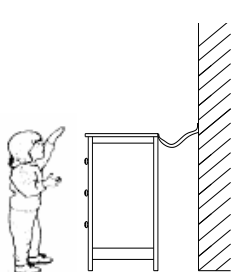
Part(s) description and quantity (Please be sure to list model number or SKN number):

Furniture Wall Safety Strap

A		B		C		D	
MOUNTING BRACKET 4 PCS		SAFETY WALL STRAP 2 PCS		LONG SCREW 2 PCS		SHORT SCREW 2 PCS	

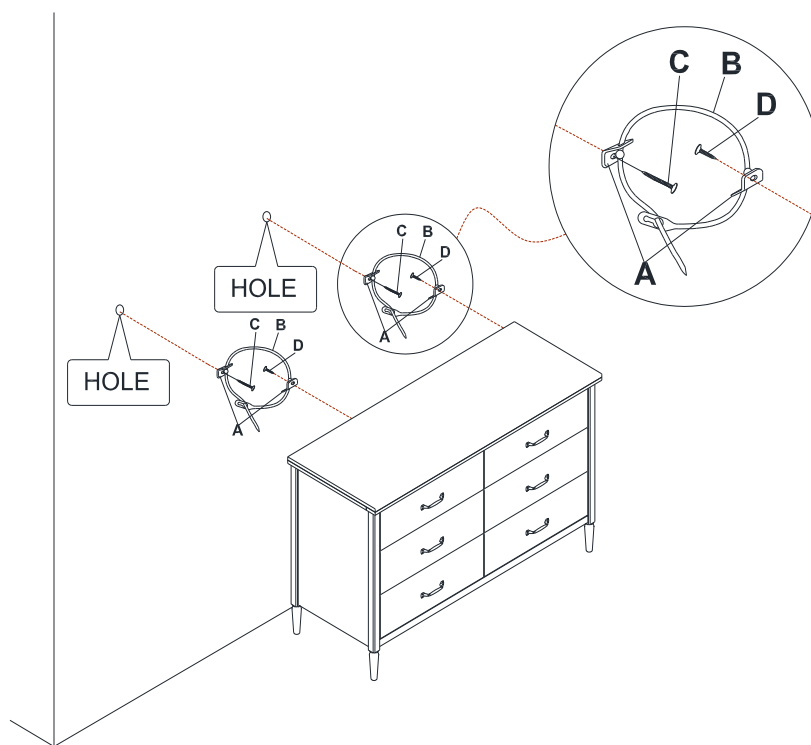
TOOLS NECESSARY: RUBBER Mallet AND PHILLIPS SCREW DRIVER ARE NOT INCLUDED.

NOTE: 3/8" DRILL BIT AND ELECTRIC DRILL ARE NOT PROVIDED.



WARNING: WHEN UPRIGHT, IT IS POSSIBLE THAT THE FURNITURE MAY TIP OVER. PLEASE INSTALL THE SAFETY WALL STRAP BEHIND THE FURNITURE TO ENSURE SAFETY.

PLEASE READ ALL INSTRUCTIONS CAREFULLY BEFORE USING THIS PRODUCT AND KEEP THESE INSTRUCTIONS FOR FUTURE REFERENCE. IF YOU HAVE ANY QUESTIONS, PLEASE CALL OUR CUSTOMER SERVICE NUMBER: 1-800-295-1980.

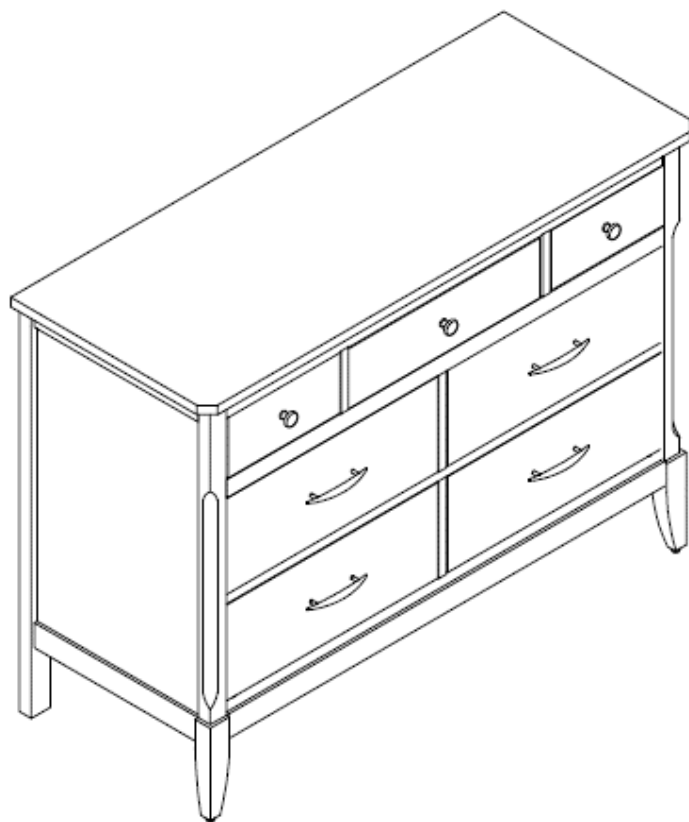


- Step 1:** ATTACH A MOUNTING BRACKET (A) SECURELY TO THE BACK EDGE OF THE FURNITURE USING THE SHORT SCREW (D), THROUGH THE SMALLER HOLE.
- Step 2:** LOCATE THE OTHER MOUNTING BRACKET (A) ON THE WALL OVER A WALL STUD AND 2 INCHES BELOW THE MOUNTING BRACKET SECURED TO THE BACK OF YOUR UNIT. ATTACH TO THE WALL STUD USING THE LONG SCREW (C) PROVIDED, THROUGH THE SMALLER HOLE.
- Step 3:** PLACE THE FURNITURE INTO POSITION SO BOTH MOUNTING BRACKETS ARE VERTICALLY IN LINE. LACE THE END OF THE SAFETY WALL STRAP (B) THROUGH THE LARGER HOLE IN EACH MOUNTING BRACKET (A). BRING BOTH ENDS TOGETHER AND SLIDE THE FLAT END THROUGH THE LOCKING END AND DRAW IT THROUGH UNTIL ALL SLACK IS REMOVED.
- Step 4:** CONFIRM THAT THE STRAP IS SECURELY LACED AND LOCKED.
- TO MOVE THE FURNITURE AFTER THE SAFETY WALL STRAP HAS BEEN INSTALLED, SIMPLY REMOVE THE SCREW FROM THE WALL TO LOOSEN THE SAFETY WALL STRAP.

MANUAL DE INSTRUCCIONES



Alvar C6moda de 7 Cajones



Modelo No:

DA7325-1 (Nogal)

CODIGO UPC:

0-65857-17231-7

NOTA

ESTE MANUEL DE INSTRUCCIONES
CONTIENE INFORMACI6N DE
SEGURIDAD **IMPORTANTE.**
POR FAVOR L6ALO Y CONS6RVELO
PARA REFERENCIA FUTURA.

Numero de lote:

(TOMADO DEL CARTON)

Fecha de compra:

____ / ____ / ____

NO DEVUELVA EL PRODUCTO A LA TIENDA.

Si falta una pieza o est6 da1ada, contacte nuestro
departamento de servicio a la clientela.
Reemplazaremos la pieza SIN cargo.



Tel #: 1-800-295-1980
Correo electr6nico: das@dorel.com
Fax #: 514-353-7819

SERVICIO A LA CLIENTELA

Si faltan piezas o tiene alguna pregunta sobre este producto, ¡primero contacte nuestro representante de servicio a la clientela!



LLAME AL 1-800-295-1980

También puede pedir piezas escribiendo a la dirección indicada abajo. Por favor incluya el número de modelo, color y una descripción detallada de la pieza.

Departamento de Servicio a la Clientela No. 413

12345 Albert-Hudon Boulevard, Suite 100

Montreal, Quebec

Canadá H1G 3L1

Correo electrónico: das@dorel.com

NOTA

- * Para evitar que se raye, por favor retire todo el embalaje y ármelo sobre una superficie limpia y suave.
- * Ensamble sobre una superficie suave, lisa para evitar daños en el acabado del producto.
- * Utilice la correa de seguridad provista para fijar el mueble a la pared.
- * El destornillador en cruz no está incluido.
- * **No use** herramientas eléctricas.
- * **PRECAUCIÓN:** Requiere ser armado por un adulto.
- * El armado y la manipulación pueden requerir dos personas.
- * Para evitar dañar la superficie, una vez instalados los niveladores, **NO** arrastrar el mueble para desplazarlo. Asegúrese de levantarlo.
- * El tiempo de armado se estima en 60 minutos.



ADVERTENCIA:

Pueden producirse lesiones graves o fatales si el mueble se vuelca. Para prevenirlo:

- * Instalar la sujeción provista.
- * Colocar los artículos más pesados en los cajones más bajos.
- * No colocar aparatos de TV u otros objetos pesados sobre este producto, a menos que esté específicamente diseñado para ese uso.
- * Nunca permitir que los niños trepen sobre los cajones, puertas o estantes o se cuelguen de ellos.
- * Nunca abrir más de un cajón a la vez.
- * No eliminar o retirar el dispositivo que asegura los cajones.
- * El uso de la sujeción provista reduce el riesgo de que el mueble se vuelque, pero no lo elimina totalmente.

CUIDADO Y LIMPIEZA

Límpiala regularmente con un paño suave para evitar la acumulación de suciedad. Ocasionalmente se puede usar un paño húmedo para limpiar la superficie. Séquela inmediatamente. No utilice productos abrasivos que puedan dañar la terminación. Una exposición excesiva a la luz del sol y a cambios extremos de temperatura y humedad puede dañar los muebles de madera.

MANTENIMIENTO

Verifique las arandelas/tornillos periódicamente y ajústelos si es necesario.

GARANTÍA LIMITADA

Dorel garantiza que este producto está libre de defectos de material y mano de obra y se compromete a remediar cualquiera de esos defectos. Esta garantía cubre 1 año a partir de la fecha de compra original. Esta garantía es válida únicamente si se presenta una prueba de compra. Esto se limita solamente a la reparación o reemplazo de componentes defectuosos de los muebles y no incluye el trabajo de armado. Esta garantía no se aplica a ningún producto que haya sido armado de manera inadecuada, sujeto a un mal uso o abuso o que haya sufrido cualquier tipo de alteración o reparación. Esta garantía le da las derechos legales específicas y usted puede también tener otras derechos que varíen de estado al estado.

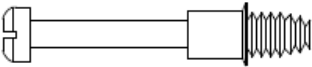


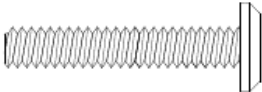

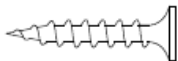
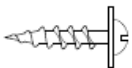
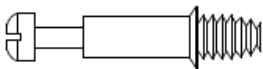
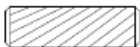


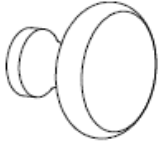

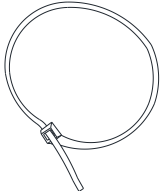


ADVERTENCIA: Si este producto se ha dañado, y/o sus componentes están rotos o faltan, NO LO USE.

Alvar Cómoda de 7 Cajones

DA7325-1

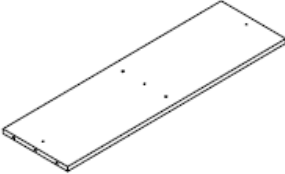


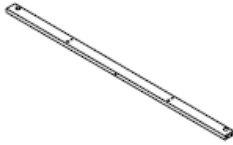
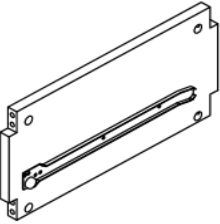
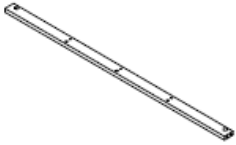

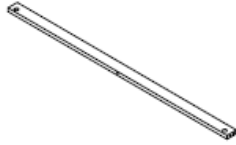
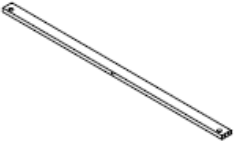
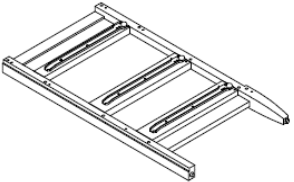
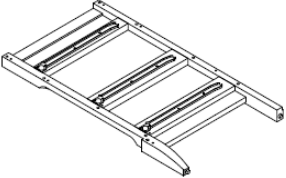

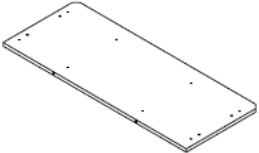
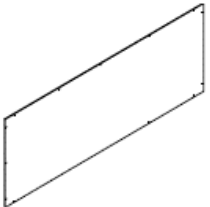
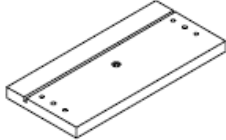
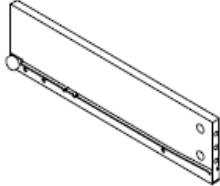
LISTA DE ACCESORIOS

<p>1</p> 	<p>2</p>  <p>Ø8 X 30mm</p>	<p>3</p> 
<p>PERNO DE LEVA GRANDE 34 PZAS</p>	<p>CLAVIJA DE MADERA GRANDE 37 PZAS</p>	<p>SEGURO DE LEVA GRANDE 34 PZAS</p>
<p>4</p>  <p>1/4" x 35mm</p>	<p>5</p> 	<p>6</p>  <p>Ø4 X 25mm</p>
<p>PERNO GRANDE 1 PZA</p>	<p>LLAVE ALLEN 1 PZA</p>	<p>TORNILLO 34 PZAS</p>
<p>7</p>  <p>Ø3 X 15mm</p>	<p>8</p> 	<p>9</p>  <p>Ø6 X 20mm</p>
<p>TORNILLO 16 PZAS</p>	<p>PERNO DE LEVA PEQUEÑO 28 PZAS</p>	<p>CLAVIJA DE MADERA PEQUEÑA 22 PZAS</p>
<p>10</p> 	<p>11</p>  <p>Ø5/32" x 20mm</p>	<p>12</p> 
<p>SEGURO DE LEVA PEQUEÑO 28 PZAS</p>	<p>PERNO PEQUEÑO 11 PZAS</p>	<p>POMO 3 PZAS</p>
<p>13</p> 	<p>14</p> 	
<p>MANIJA 4 PZAS</p>	<p>CORREA DE SEGURIDAD 1 KIT</p>	

Alvar Cómoda de 7 Cajones

DA7325-1

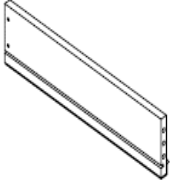
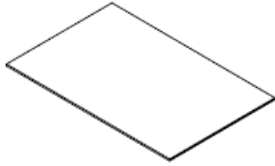
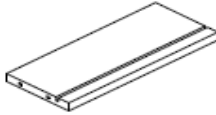
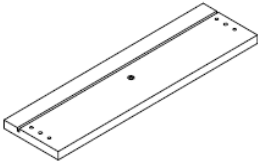
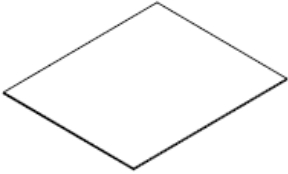
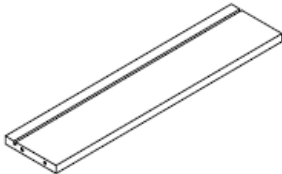
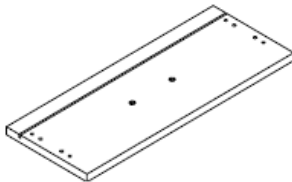

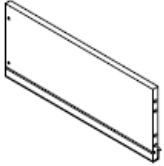
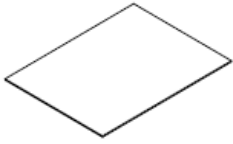
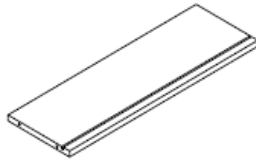
LISTA DE PIEZAS

<p>A</p> 	<p>B</p> 	<p>C</p> 	<p>D</p> 
<p>PANEL POSTERIOR INFERIOR 1 PZA</p>	<p>PANEL INFERIOR CENTRAL 1 PZA</p>	<p>BARRA POSTERIOR CENTRAL 1 PZA</p>	<p>BARRA SUPERIOR 2 PZAS</p>
<p>E</p> 	<p>F</p> 	<p>G</p> 	<p>H</p> 
<p>PANELE SUPERIORE CENTRALE 2 PZAS</p>	<p>BARRA INFERIOR CENTRAL 1 PZA</p>	<p>BARRA INFERIOR ANTERIOR 1 PZA</p>	<p>BARRA INFERIOR CENTRAL 1 PZA</p>
<p>I</p> 	<p>J</p> 	<p>K</p> 	<p>L</p> 
<p>BARRA DE SOPORTE 1 PZA</p>	<p>MARCO LATERAL DERECHO 1 PZA</p>	<p>MARCO LATERAL IZQUIERDO 1 PZA</p>	<p>PATA DE SOPORTE 1 PZA</p>
<p>M</p> 	<p>N</p> 	<p>O</p> 	<p>P</p> 
<p>TAPA DEL MUEBLE 1 PZA</p>	<p>PANEL SUPERIOR POSTERIOR 1 PZA</p>	<p>FRENTE DEL CAJÓN PEQUEÑO 2 PZAS</p>	<p>LADO IZQUIERDO CAJÓN SUPERIOR 3 PZAS</p>

Alvar Cómoda de 7 Cajones

DA7325-1

LISTA DE PIEZAS

<p>Q</p> 	<p>R</p> 	<p>S</p> 	<p>T</p> 
<p>LADO DERECHO CAJÓN SUPERIOR 3 PZAS</p>	<p>FONDO DEL CAJÓN PEQUEÑO 2 PZAS</p>	<p>LADO POSTERIOR DEL CAJÓN PEQUEÑO 2 PZAS</p>	<p>FRENTE CAJÓN CENTRAL 1 PZA</p>
<p>U</p> 	<p>V</p> 	<p>W</p> 	<p>X</p> 
<p>FONDO CAJÓN CENTRAL 1 PZA</p>	<p>LADO POSTERIOR CAJÓN CENTRAL 1 PZA</p>	<p>FRENTE CAJÓN GRANDE 4 PZAS</p>	<p>LADO IZQUIERDO CAJÓN GRANDE 4 PZAS</p>
<p>Y</p> 	<p>Z</p> 	<p>AA</p> 	
<p>LADO DERECHO CAJÓN GRANDE 4 PZAS</p>	<p>FONDO CAJÓN GRANDE 4 PZAS</p>	<p>LADO POSTERIOR CAJÓN GRANDE 4 PZAS</p>	

Alvar Cómoda de 7 Cajones

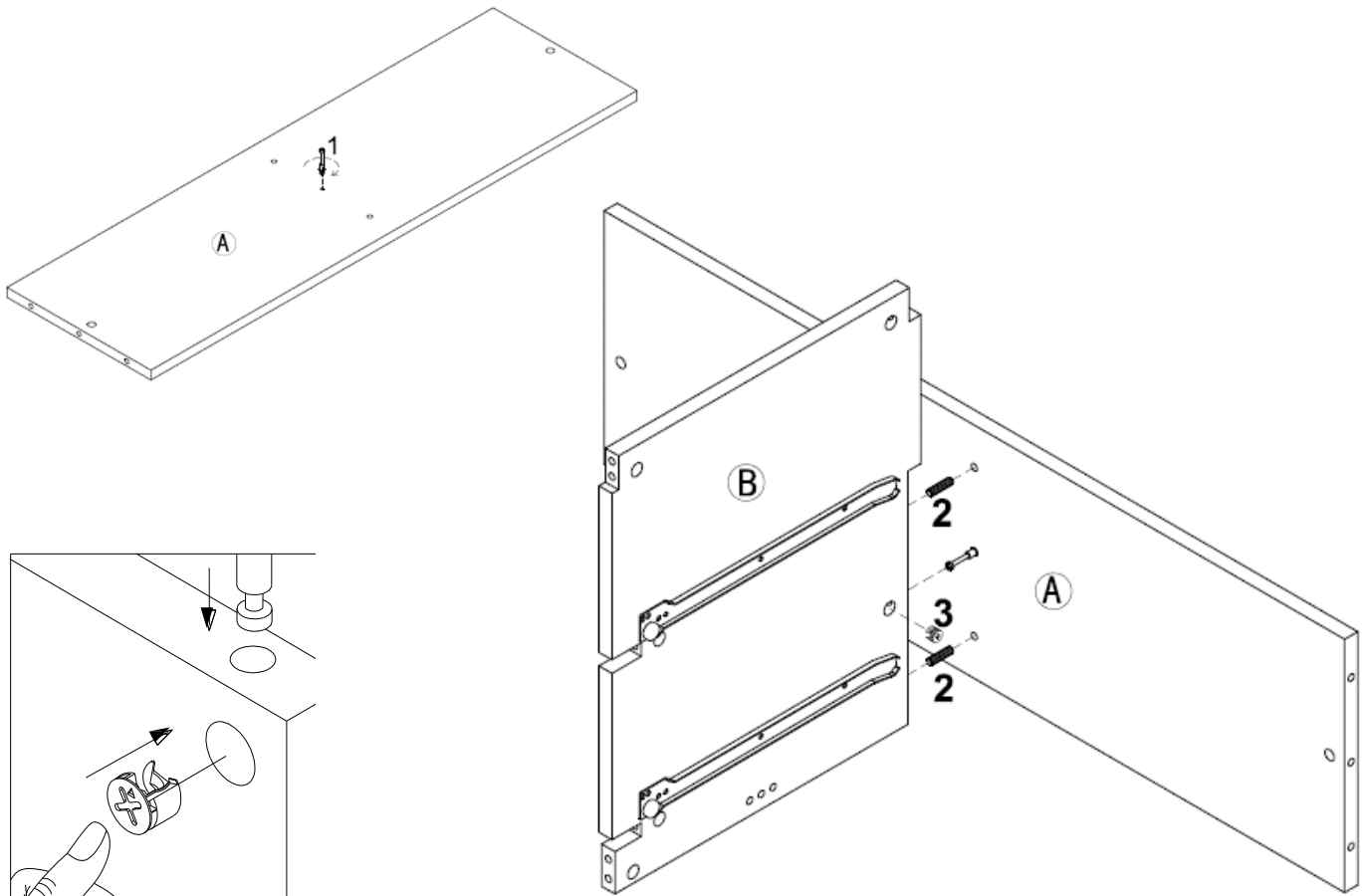
DA7325-1

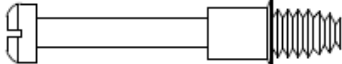


ETAPA 1

Inserte un perno de leva grande (1) en el panel posterior inferior (A) como ilustrado.

Inserte un seguro de leva grande (3) en el panel inferior central (B).

Una el panel inferior central (B) con el panel posterior inferior (A) con clavijas de madera grandes (2) como ilustrado. Fije el panel inferior central (B) girando el seguro de leva grande (3) 1/2 vuelta en sentido horario con un destornillador Phillips (no incluido).



1		1 PC
2		2 PCS
3		1 PC

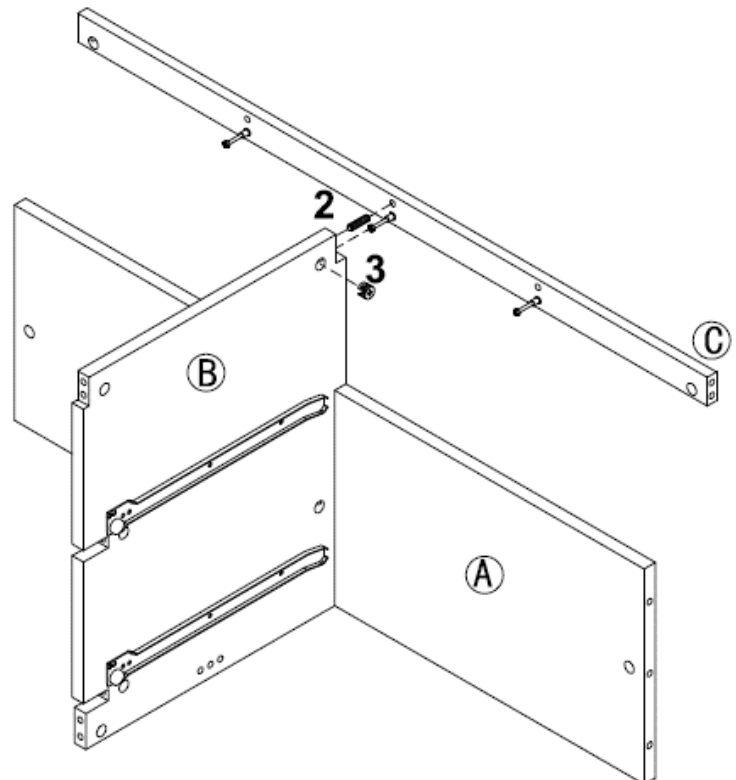
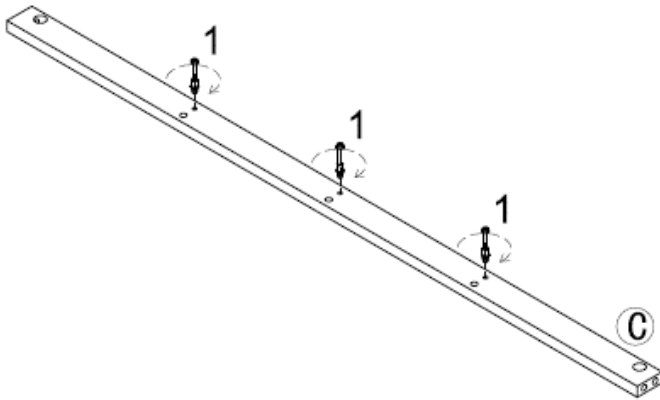
Alvar Cómoda de 7 Cajones


DA7325-1


ETAPA 2


Inserte un perno de leva grande (1) en la barra posterior central (C) como ilustrado.
Inserte un seguro de leva grande (3) en el panel inferior central (B).

Una la barra posterior central (C) con el panel inferior central (B) con clavijas de madera grandes (2) como ilustrado. Fije la barra posterior central girando el seguro de leva grande (3) colocado en el panel inferior central (B) 1/2 vuelta en sentido horario con un destornillador Phillips (no incluido).



1		3PCS
---	---	------

2		1PC
---	---	-----

3		1PC
---	---	-----

Alvar Cómoda de 7 Cajones

DA7325-1

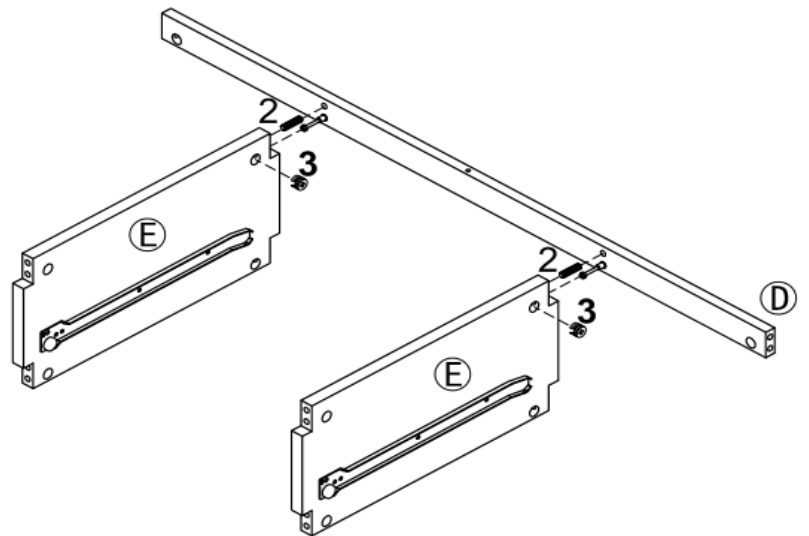
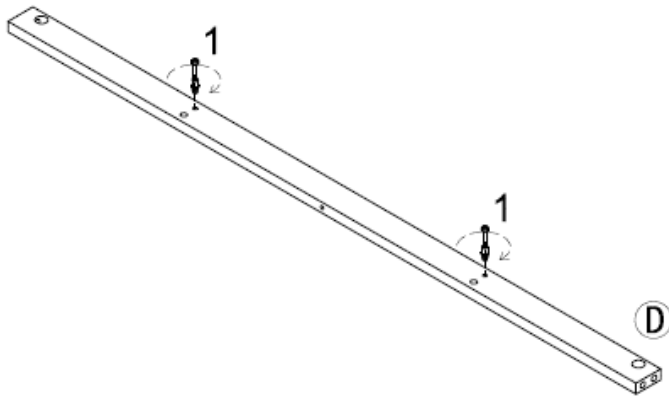
ETAPA 3

Inserte pernos de leva grandes (1) en la barra superior (D) como ilustrado.

Inserte seguros de leva grandes (3) en los paneles superiores centrales (E).

Una los paneles superiores centrales (E) con la barra superior (D) con clavijas de madera grandes (2) como ilustrado.

Fije los paneles superiores centrales (E) con la barra superior (D) girando los seguros de leva grandes (3) colocados en los paneles superiores centrales (E) 1/2 vuelta en sentido horario con un destornillador Phillips (no incluido).



1		2PCS
2		2PCS
3		2PCS

Alvar Cómoda de 7 Cajones

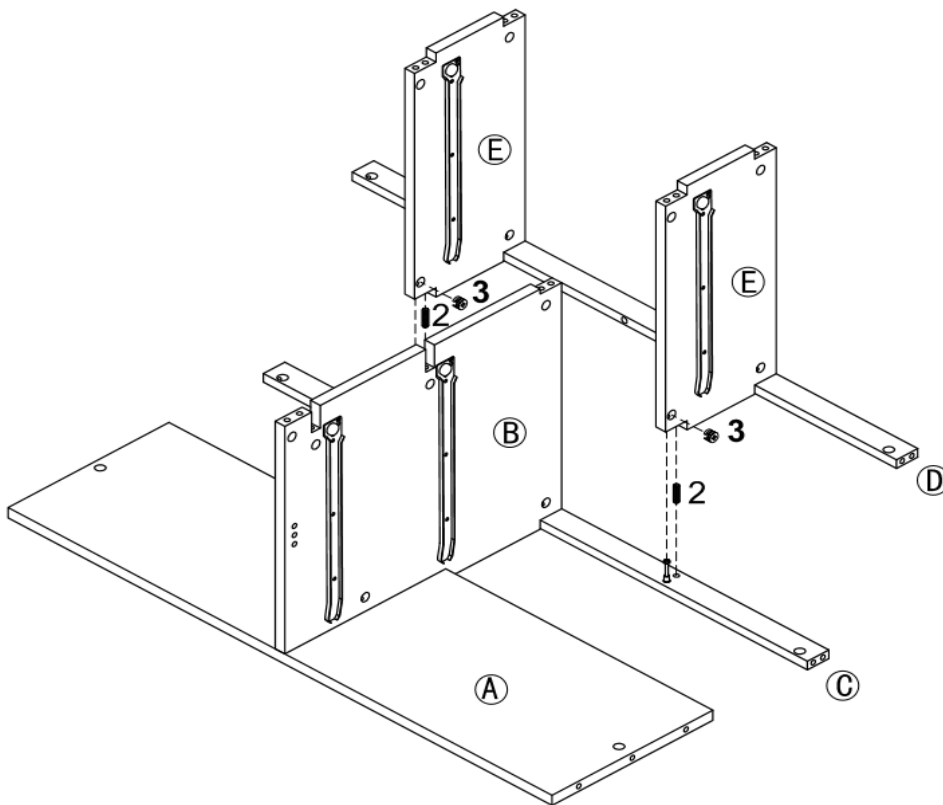
DA7325-1



ETAPA 4

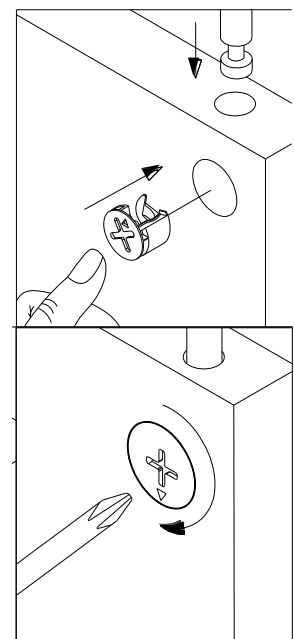
Inserte seguros de leva grandes (3) en los paneles superiores centrales (E).

Una los paneles superiores centrales (E) con la barra posterior central (C) con clavijas de madera grandes (2) como ilustrado.

Fije los paneles superiores centrales (E) a la barra posterior central (C) girando los seguros de leva grandes (3) colocados en los paneles superiores centrales (E) 1/2 vuelta en sentido horario con un destornillador Phillips (no incluido).



2		2PCS
3		2PCS



Alvar Cómoda de 7 Cajones

DA7325-1

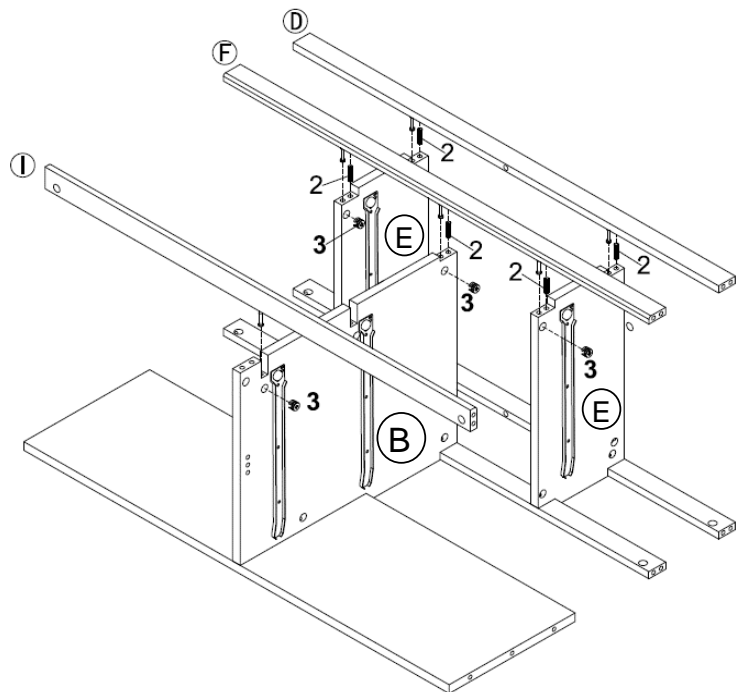
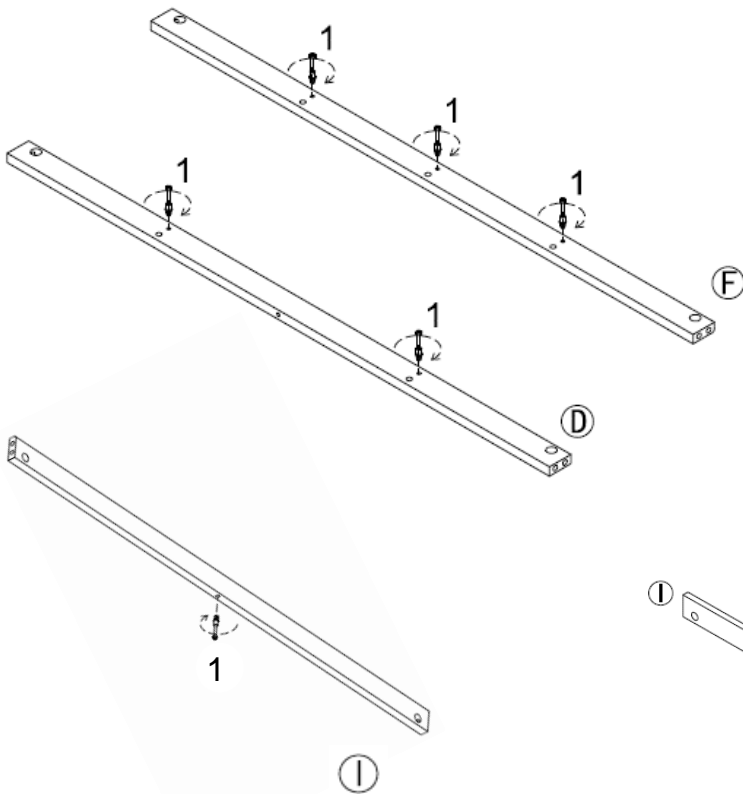
ETAPA 5

Inserte pernos de leva grandes (1) en las barras (I, D y F).

Inserte seguros de leva grandes (3) y clavijas de madera grandes (2) en los paneles superiores centrales (E) y en el panel inferior central (B) como ilustrado más abajo.

Una las barras (I, D y F) con la parte ya ensamblada como ilustrado más abajo.

Fije las barras (I, D y F) a la parte ensamblada girando los seguros de leva (3) 1/2 vuelta en sentido horario con un destornillador Phillips (no incluido).



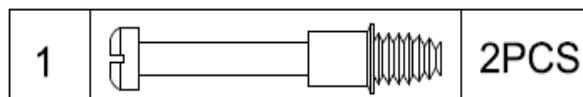
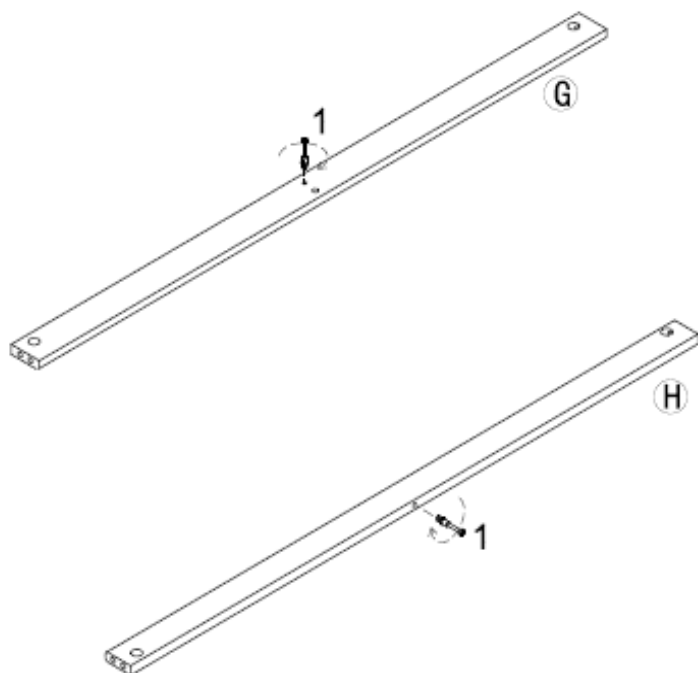
1		6PCS
2		5PCS
3		6PCS

Alvar Cómoda de 7 Cajones

DA7325-1

ETAPA 6

Inserte pernos de leva grandes (1) en la barra inferior anterior (G) y en la barra inferior central (H) como ilustrado.



Alvar Cómoda de 7 Cajones

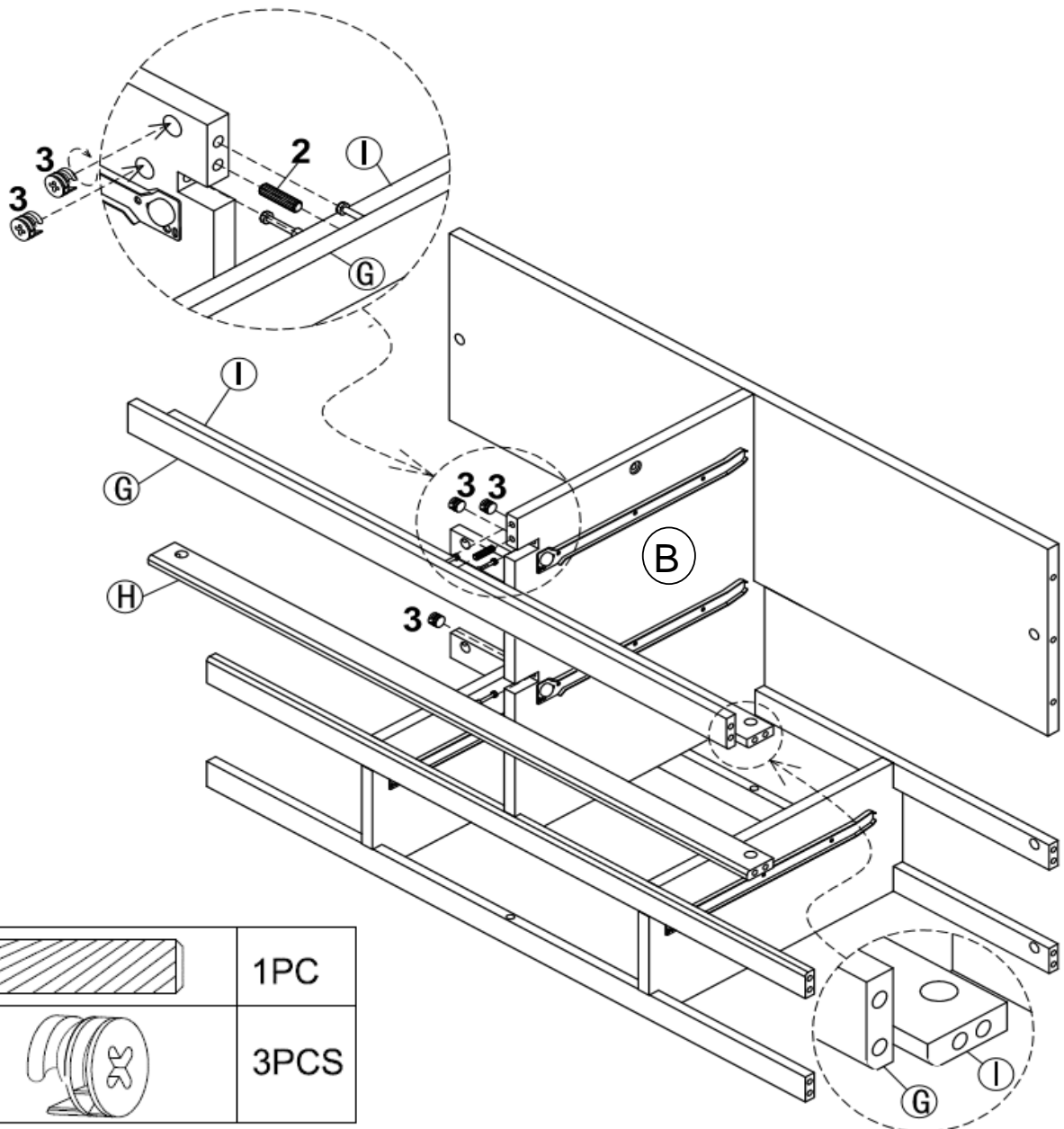
DA7325-1

ETAPA 7

Coloque la unidad ya ensamblada al revés. Inserte una clavija de madera grande (2) y seguros de leva grandes (3) en el panel inferior central (B).

Una las barras (G y H) con la parte ensamblada como ilustrado.

Fije las barras (G y H) a la parte ensamblada girando los seguros de leva grandes (3) 1/2 vuelta en sentido horario con un destornillador Phillips (no incluido).



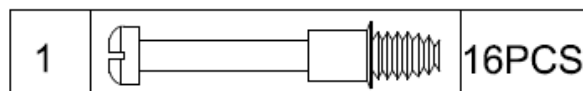
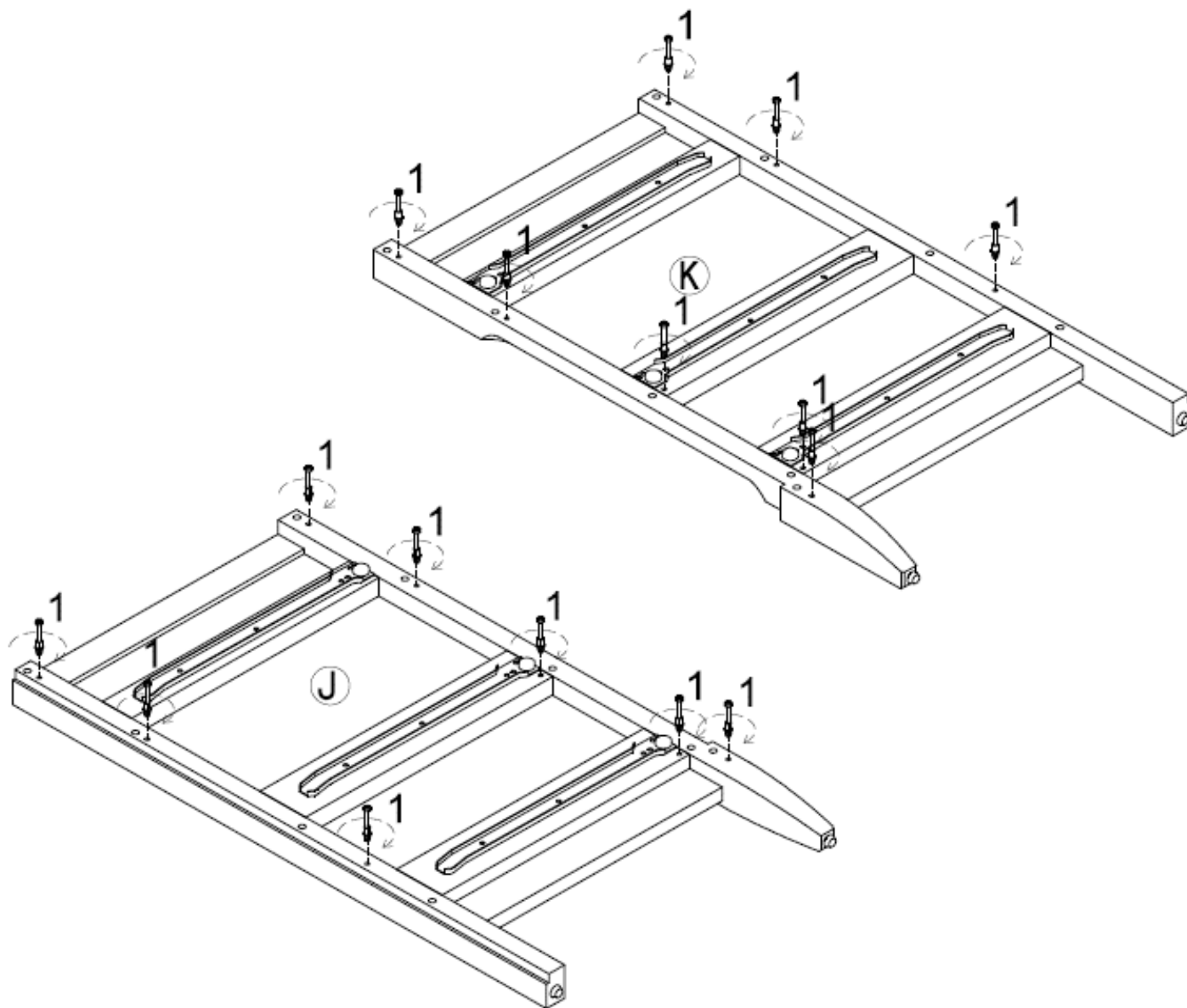
2		1PC
3		3PCS

Alvar Cómoda de 7 Cajones

DA7325-1

ETAPA 8

Inserte pernos de leva grandes (1) en los paneles laterales derecho e izquierdo (J y K) como ilustrado.



Alvar Cómoda de 7 Cajones

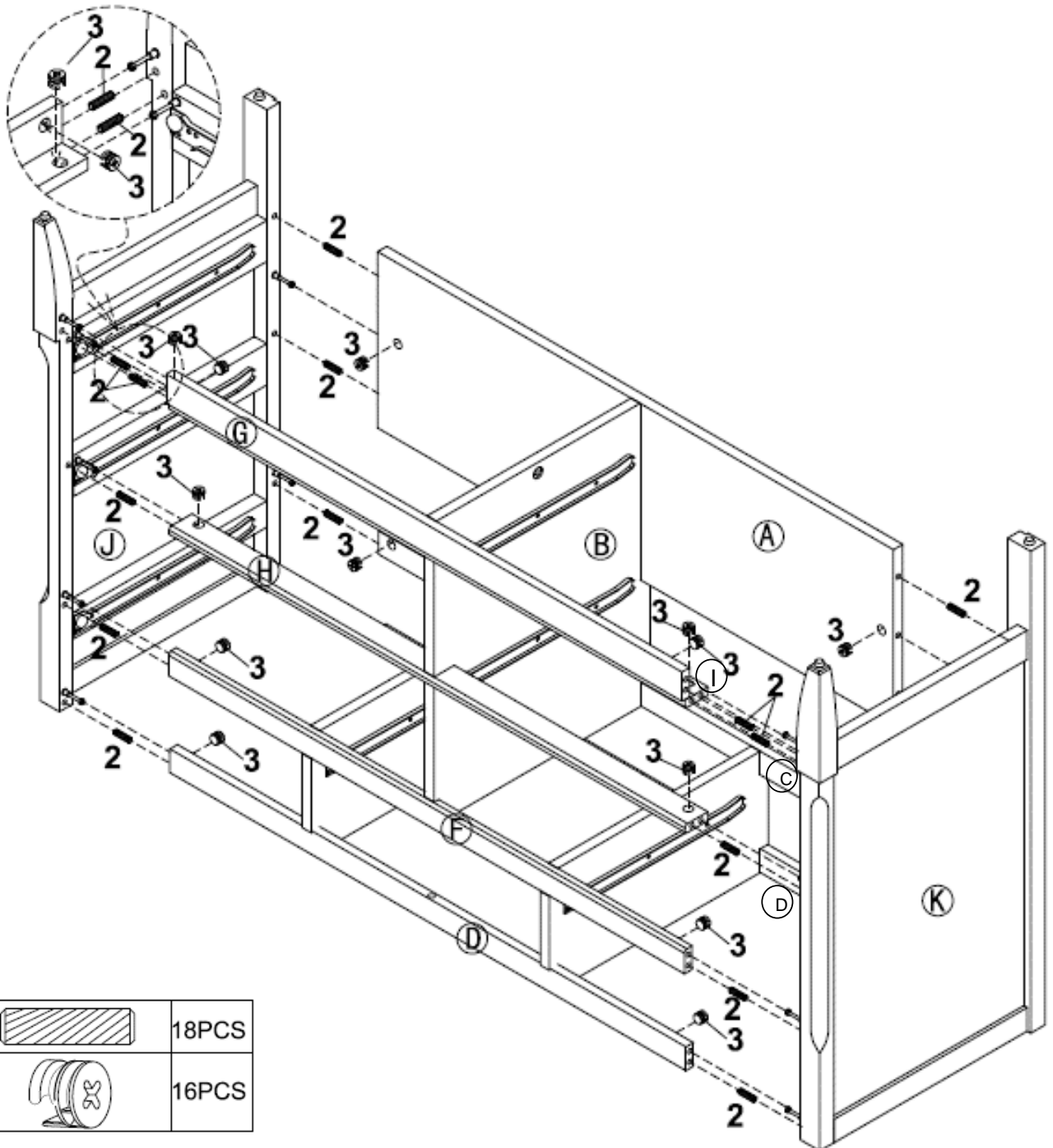
DA7325-1

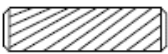

ETAPA 9

Inserte clavijas de madera grandes (2) y seguros de leva grandes (3) en las barras (G, I, H, F, C y D) y en el panel inferior posterior (A) como ilustrado.

Una los paneles laterales derecho e izquierdo (J y K) con la unidad ensamblada como ilustrado más abajo.

Fije los paneles laterales derecho e izquierdo (J y K) a la unidad ya ensamblada girando los seguros de leva grandes (3) 1/2 vuelta en sentido horario con un destornillador Phillips (no incluido).



2		18PCS
3		16PCS

Alvar Cómoda de 7 Cajones

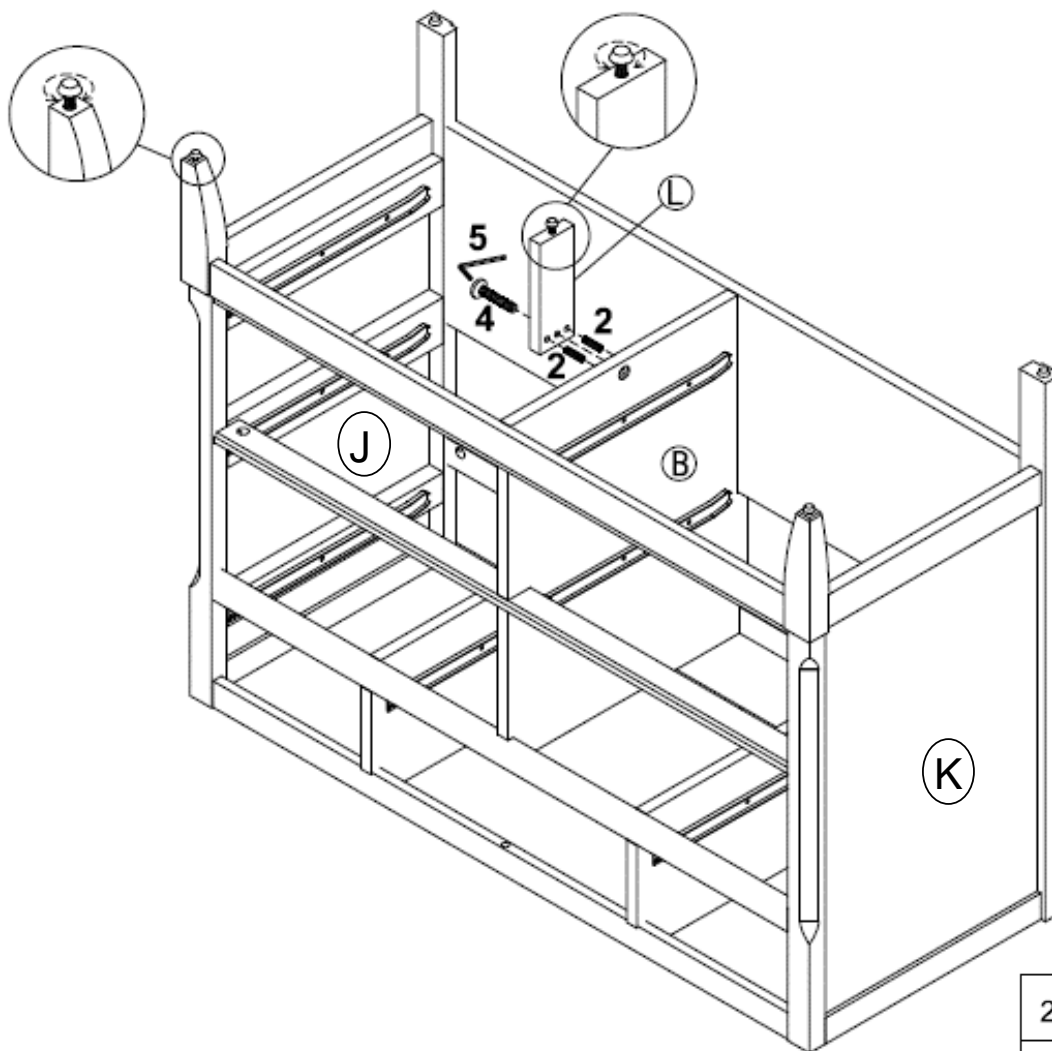
DA7325-1

ETAPA 10

Una la pata de soporte (L) con el panel inferior central (B) con un perno (4) y clavijas de madera grandes (2) como ilustrado.

Utilice la llave Allen (5) para ajustar los pernos.

NOTA- La pata de soporte (L) y los paneles laterales (J y K) están provistos de niveladores ajustables. Una vez que haya completado el ensamblado y el mueble se encuentre en el lugar deseado, gire los niveladores en sentido horario o antihorario hasta que el mueble quede bien apoyado sobre el piso.

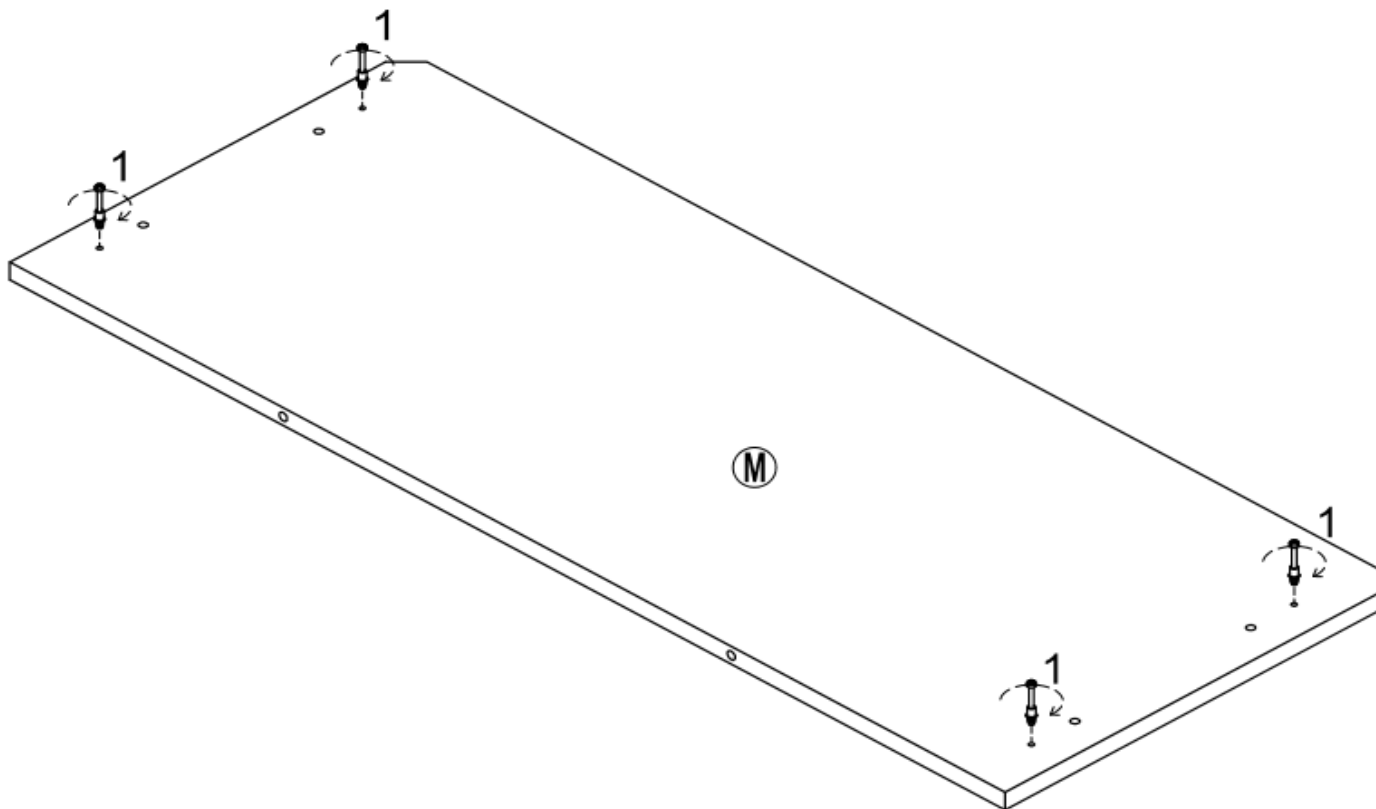


2		2PCS
4		1PC
5		

Alvar Cómoda de 7 Cajones DA7325-1

ETAPA 11

Inserte pernos de leva grandes (1) en la tapa del mueble (M) como ilustrado.



Alvar Cómoda de 7 Cajones

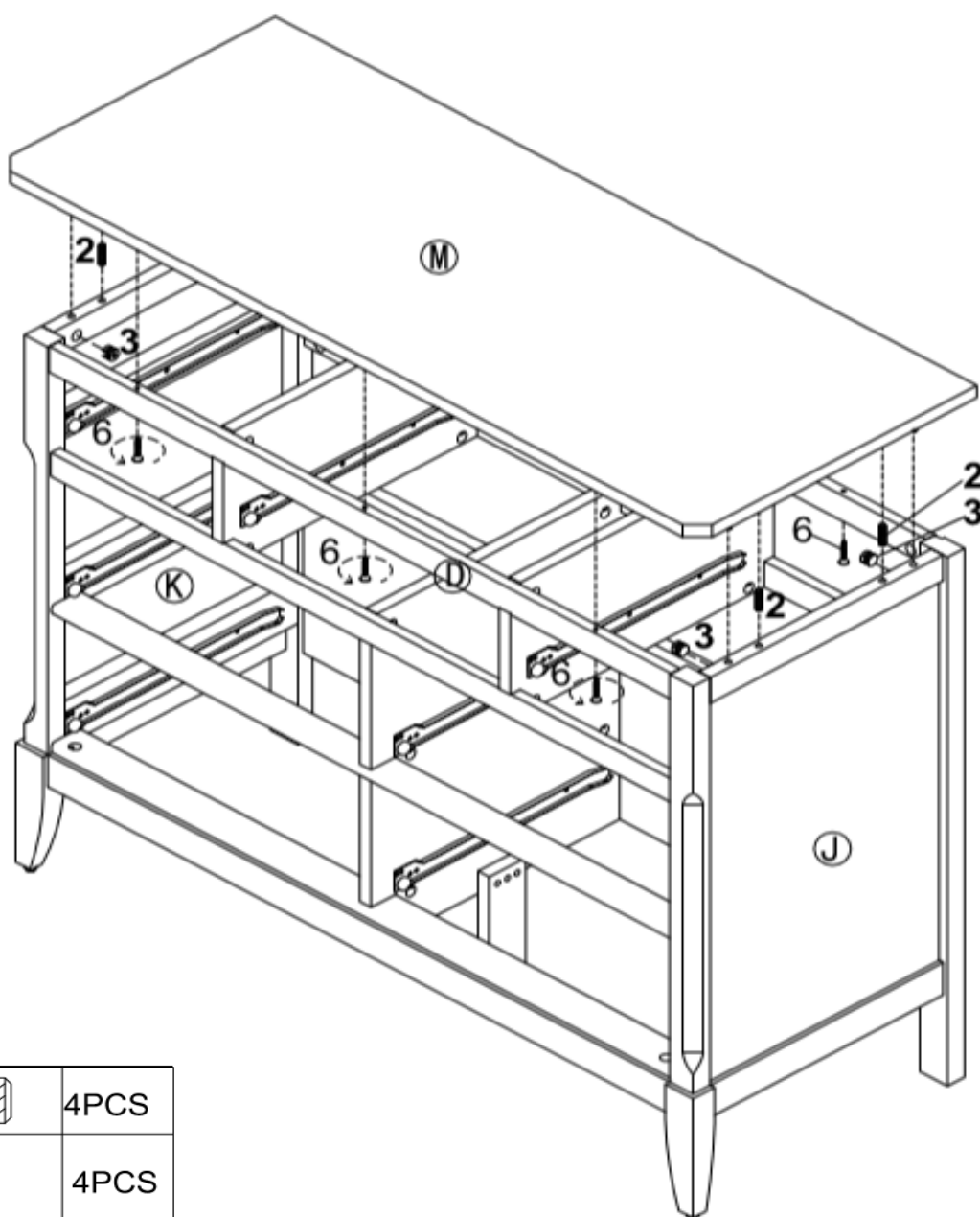
DA7325-1

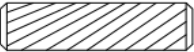

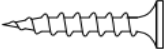
ETAPA 12

Inserte clavijas de madera grandes (2) y seguros de leva grandes (3) en el panel lateral izquierdo (K) y el panel lateral derecho (J) como ilustrado.

Coloque la tapa del mueble (M) sobre la unidad ya ensamblada.

Fije la tapa del mueble (M) a la unidad ya ensamblada con tornillos (6) y girando los seguros de leva grandes (3) $\frac{1}{2}$ vuelta en sentido horario con un destornillador Phillips (no incluido).

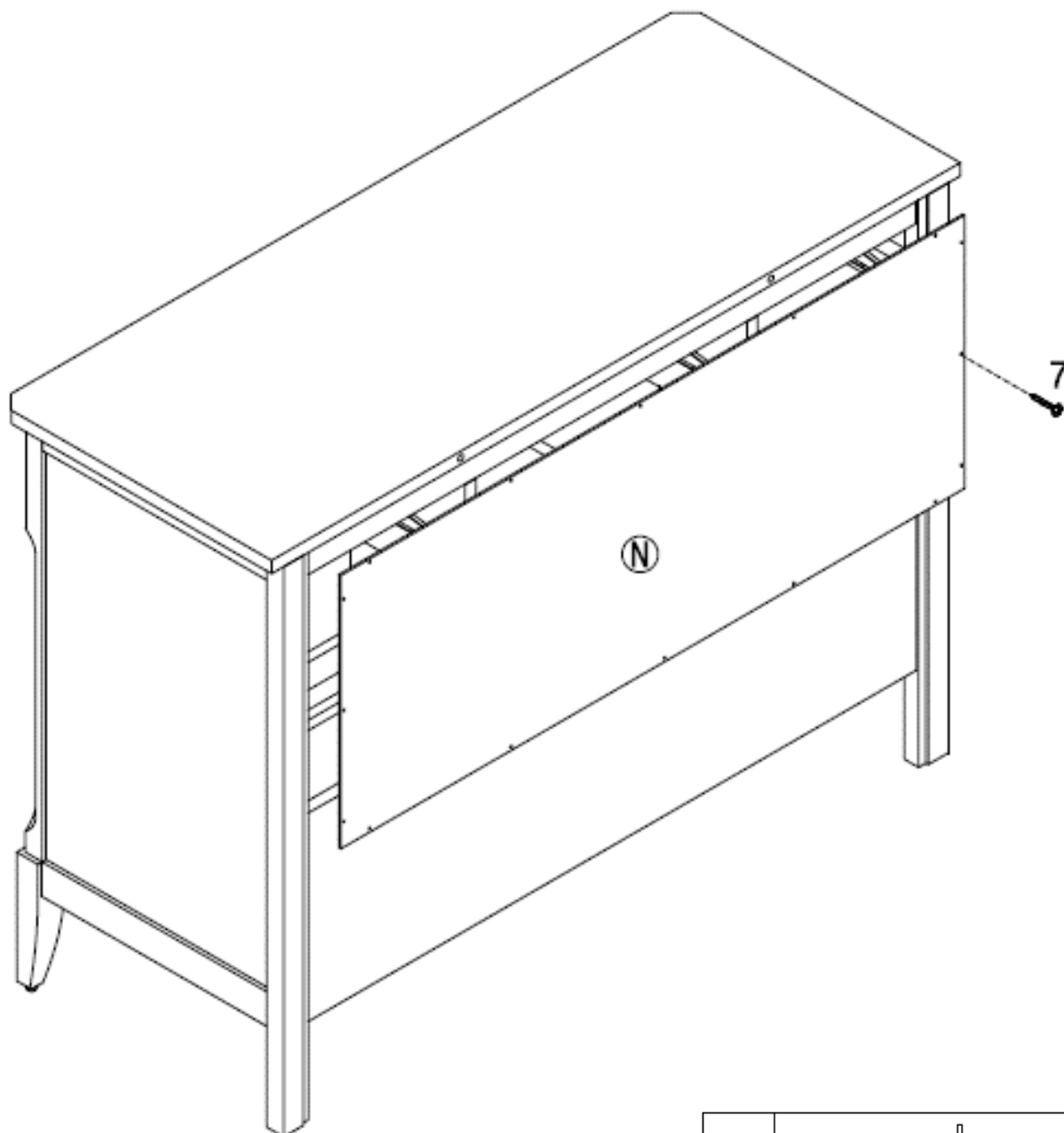


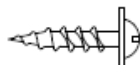
2		4PCS
3		4PCS
6		6PCS

Alvar Cómoda de 7 Cajones DA7325-1

ETAPA 13

Una el panel superior posterior (N) con la unidad ya ensamblada con tornillos (7) como ilustrado.
Utilice un destornillador Phillips (no incluido) para ajustar los tornillos.



7		16PCS
---	---	-------

Alvar Cómoda de 7 Cajones

DA7325-1

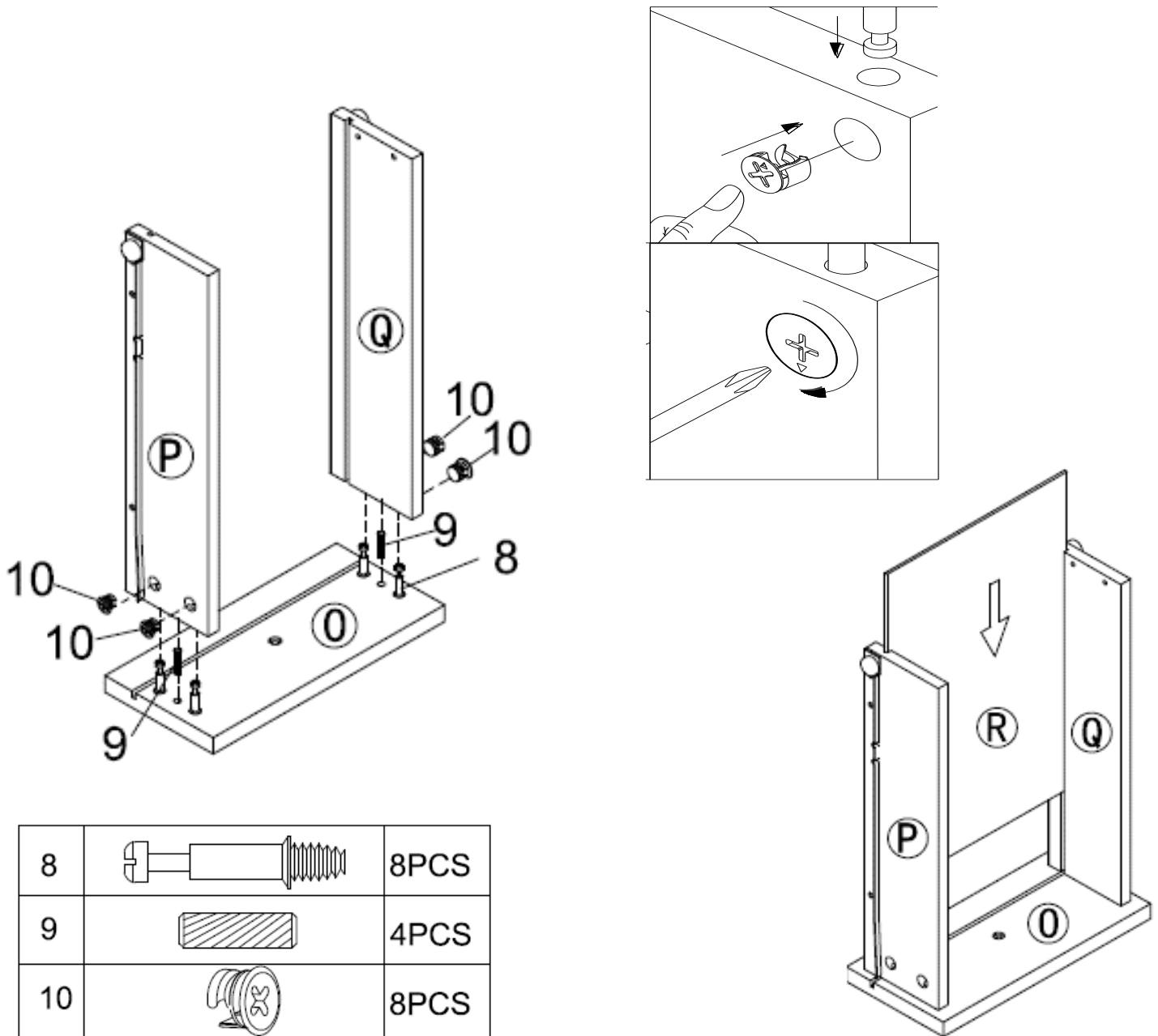
ETAPA 14

Inserte pernos de leva pequeños (8) y clavijas de madera pequeñas (9) en el frente del cajón pequeño (O).

Inserte seguros de leva pequeños (10) en los lados izquierdo y derecho del cajón superior (P y Q).

Una los lados izquierdo y derecho del cajón (P y Q) con el frente del cajón pequeño (O). Fije los lados del cajón girando los seguros de leva pequeños (10) $\frac{1}{2}$ vuelta en sentido horario con un destornillador Phillips (no incluido).

Deslice el fondo del cajón pequeño (R) en las ranuras de los lados izquierdo y derecho del cajón (P y Q) y del frente del cajón pequeño (O).



Alvar Cómoda de 7 Cajones

DA7325-1

ETAPA 15

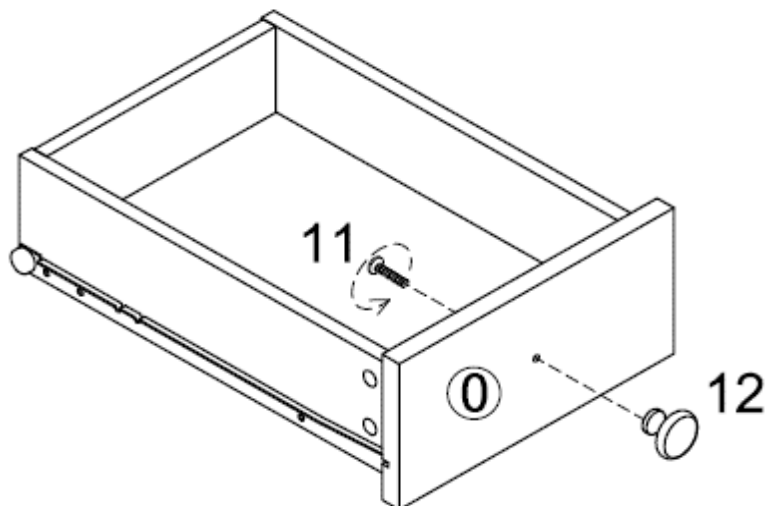
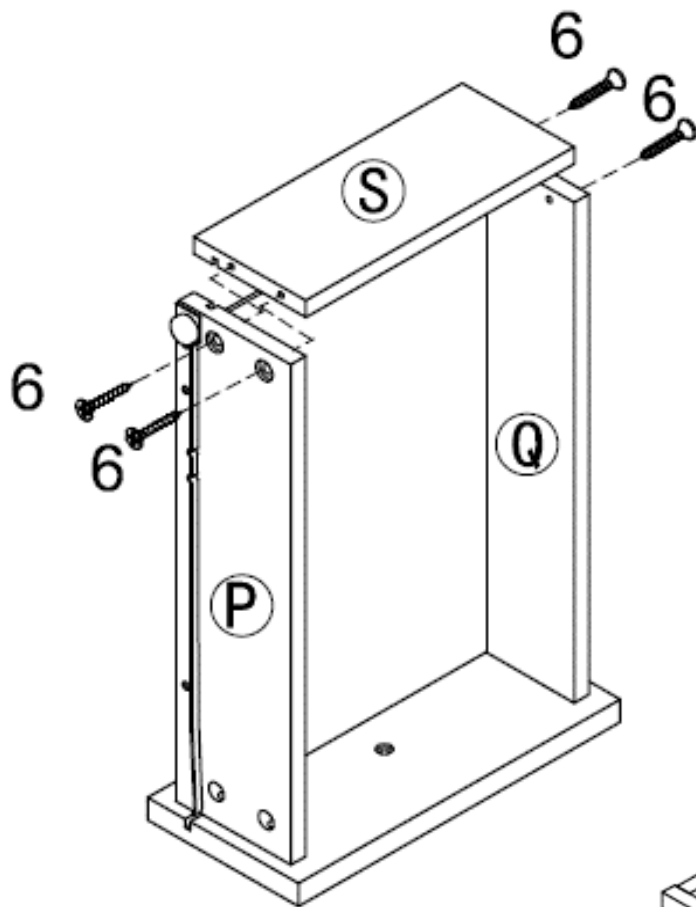
Una el lado posterior del cajón pequeño (S) con los lados izquierdo y derecho del cajón superior (P y Q) con tornillos (6).



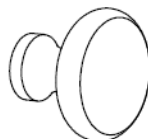
Utilice un destornillador Phillips (no incluido) para ajustar los tornillos.

Coloque el pomo (12) en el frente del cajón pequeño (O) con un perno (11).

Utilice un destornillador Phillips (no incluido) para ajustar el perno.

Repita las etapas 14 y 15 para ensamblar el otro cajón pequeño.



6		8PCS
11		2PCS
12		2PCS

Alvar Cómoda de 7 Cajones

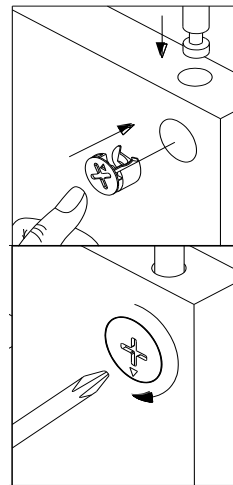
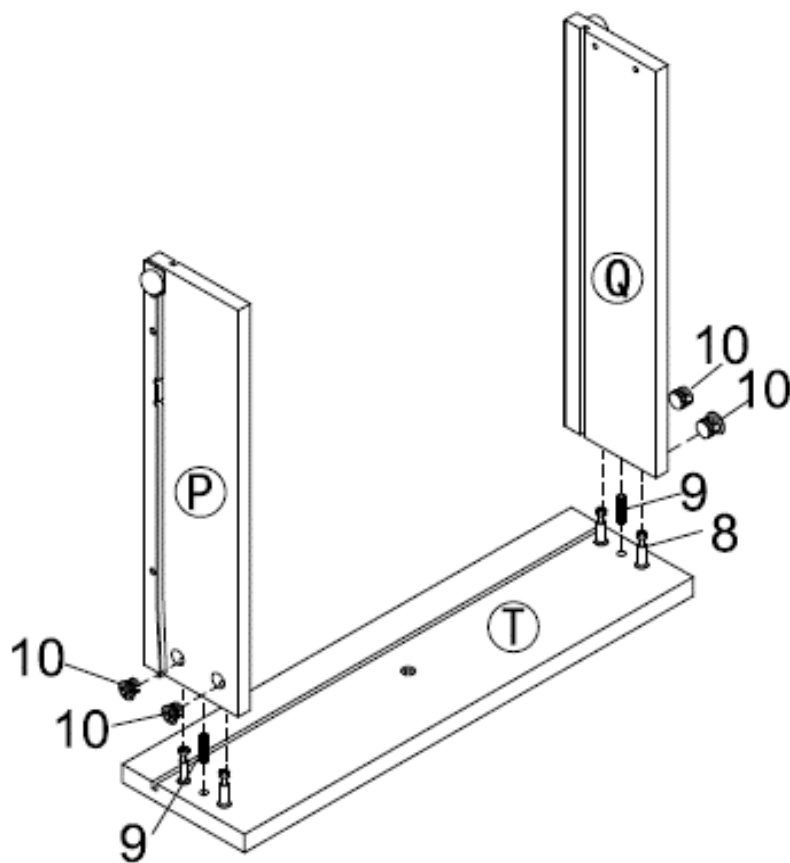
DA7325-1

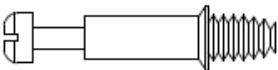


ETAPA 16

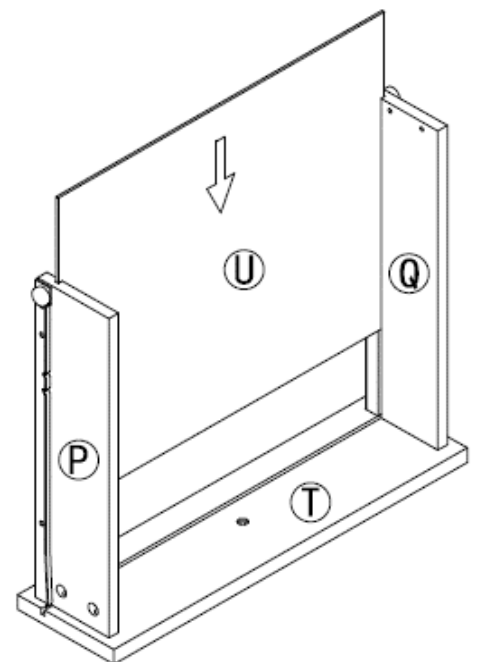
Inserte pernos de leva pequeños (8) y clavijas de madera pequeñas (9) en el frente cajón central (T).

Inserte seguros de leva pequeños (10) en los lados izquierdo y derecho del cajón superior (P y Q). Una los lados izquierdo y derecho del cajón (P y Q) con el frente cajón central (T). Fije los lados del cajón girando los seguros de leva pequeños (10) $\frac{1}{2}$ vuelta en sentido horario con un destornillador Phillips (no incluido).

Deslice el fondo cajón central (U) en las ranuras de los lados izquierdo y derecho del cajón (P y Q) y del frente cajón central (T).



8		4PCS
9		2PCS
10		4PCS



Alvar Cómoda de 7 Cajones

DA7325-1

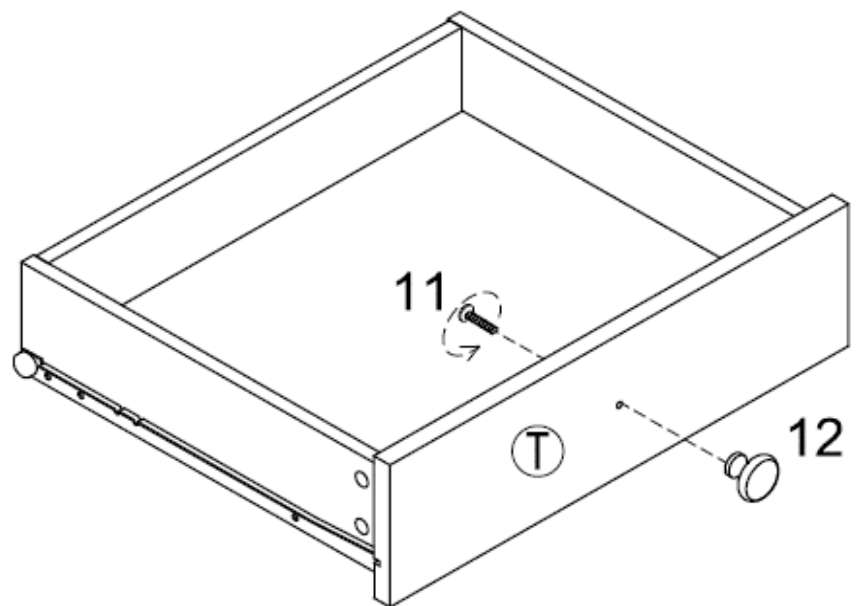
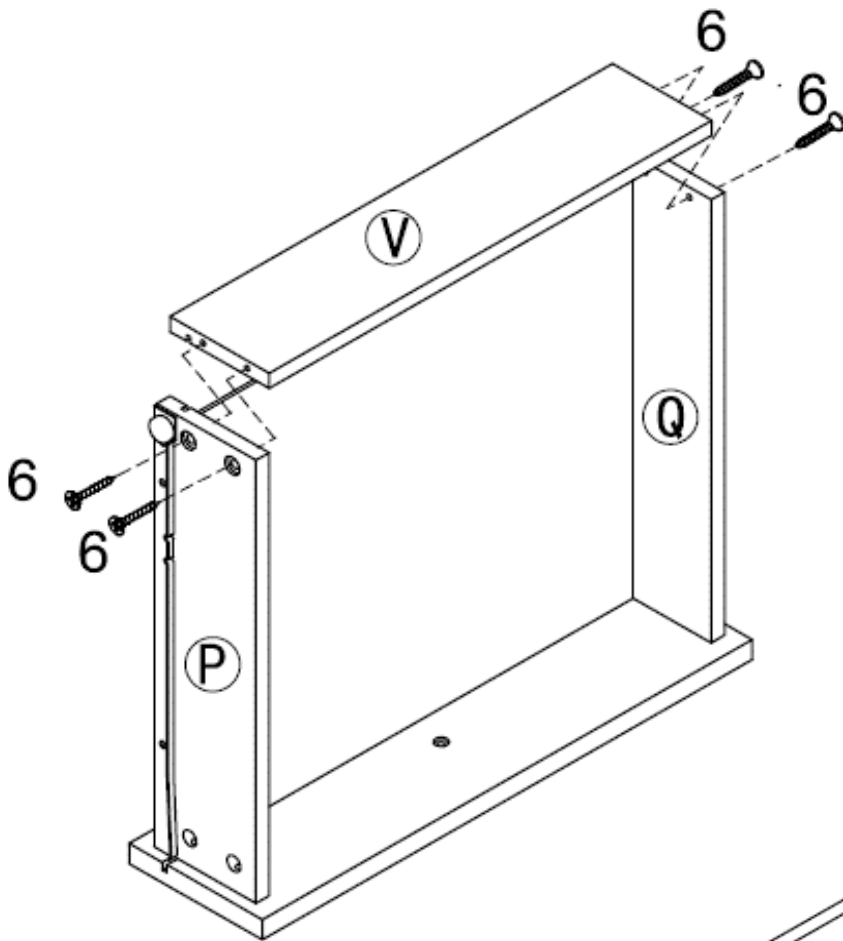
ETAPA 17

Una el lado posterior cajón central (V) con los lados izquierdo y derecho del cajón superior (P y Q) con tornillos (6).

Utilice un destornillador Phillips (no incluido) para ajustar los tornillos.

Coloque el pomo (12) en el frente cajón central (T) con un perno (11).

Utilice un destornillador Phillips (no incluido) para ajustar el perno.



6		4PCS
11		1PC
12		1PC

Alvar Cómoda de 7 Cajones

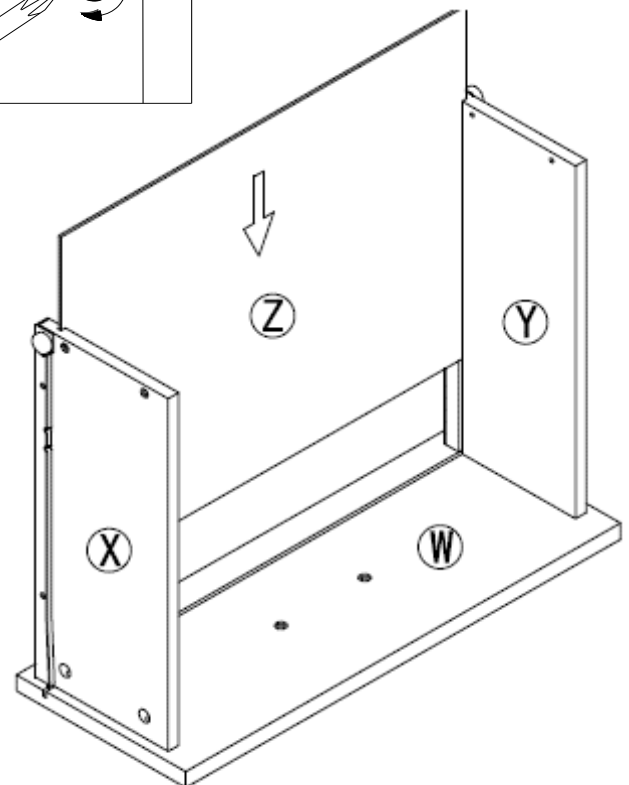
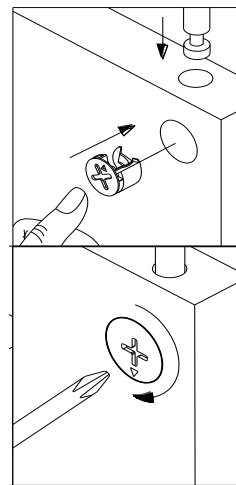
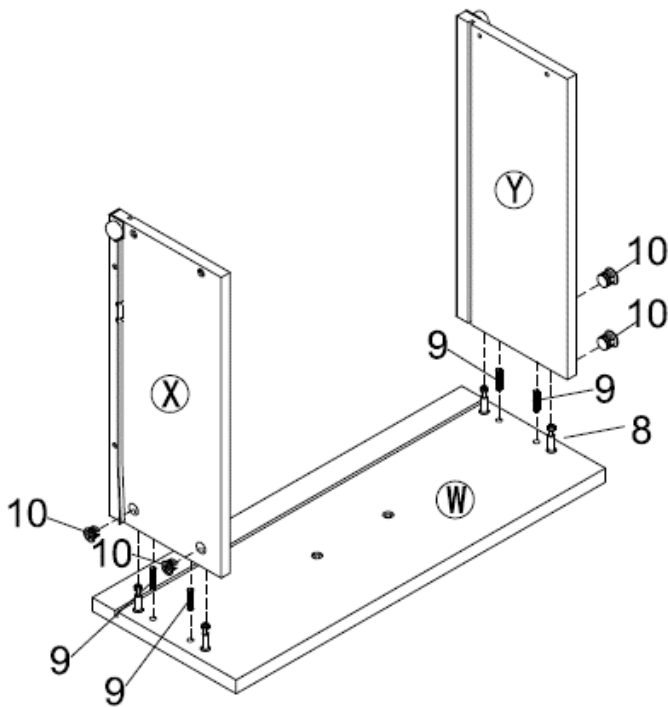
DA7325-1

ETAPA 18

Inserte pernos de leva pequeños (8) y clavijas de madera pequeñas (9) en el frente cajón grande (W).

Inserte seguros de leva pequeños (10) en los lados izquierdo y derecho cajón grandes (X y Y). Una los lados izquierdo y derecho cajón grandes (X y Y) con el frente cajón grande (W). Fije los lados del cajón girando los seguros de leva pequeños (10) ½ vuelta en sentido horario con un destornillador Phillips (no incluido).

Deslice el fondo cajón grande (Z) en las ranuras de los lados izquierdo y derecho cajón grandes (X y Y) y del frente cajón grande (W).



8		16PCS
9		16PCS
10		16PCS

Alvar Cómoda de 7 Cajones

DA7325-1

ETAPA 19

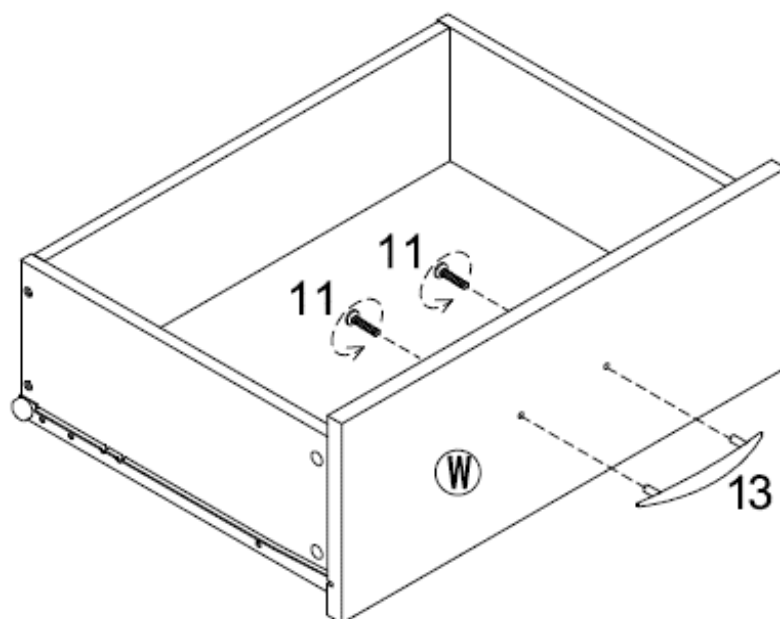
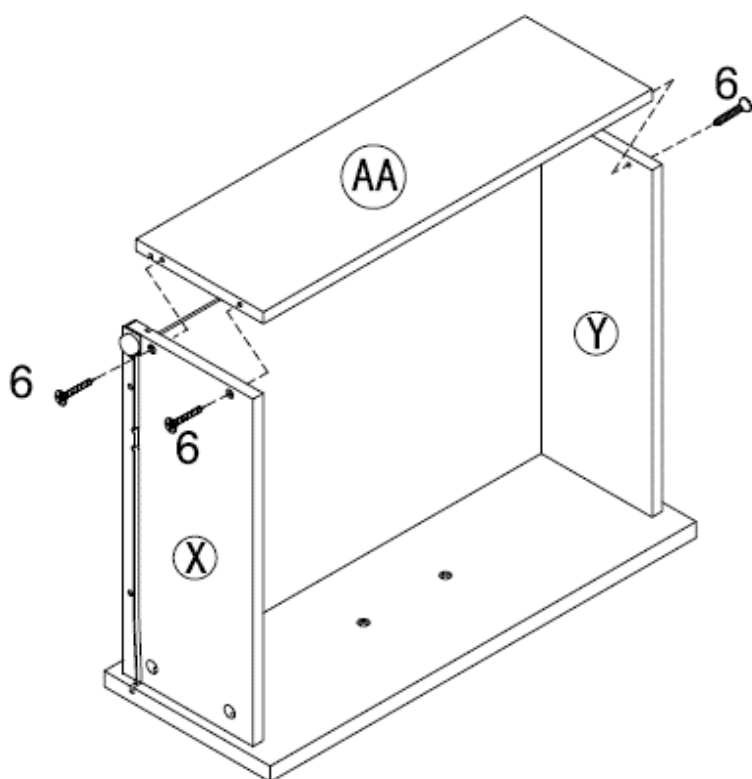
Una el lado posterior cajón grande (AA) con los lados izquierdo y derecho cajón grandes (X y Y) con tornillos (6).

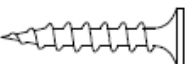


Utilice un destornillador Phillips (no incluido) para ajustar los tornillos.

Coloque el manija (13) en el frente cajón grande (W) con un perno (11).

Utilice un destornillador Phillips (no incluido) para ajustar el perno.

Repita las etapas 18 y 19 para ensamblar el otros cajóns grandes.

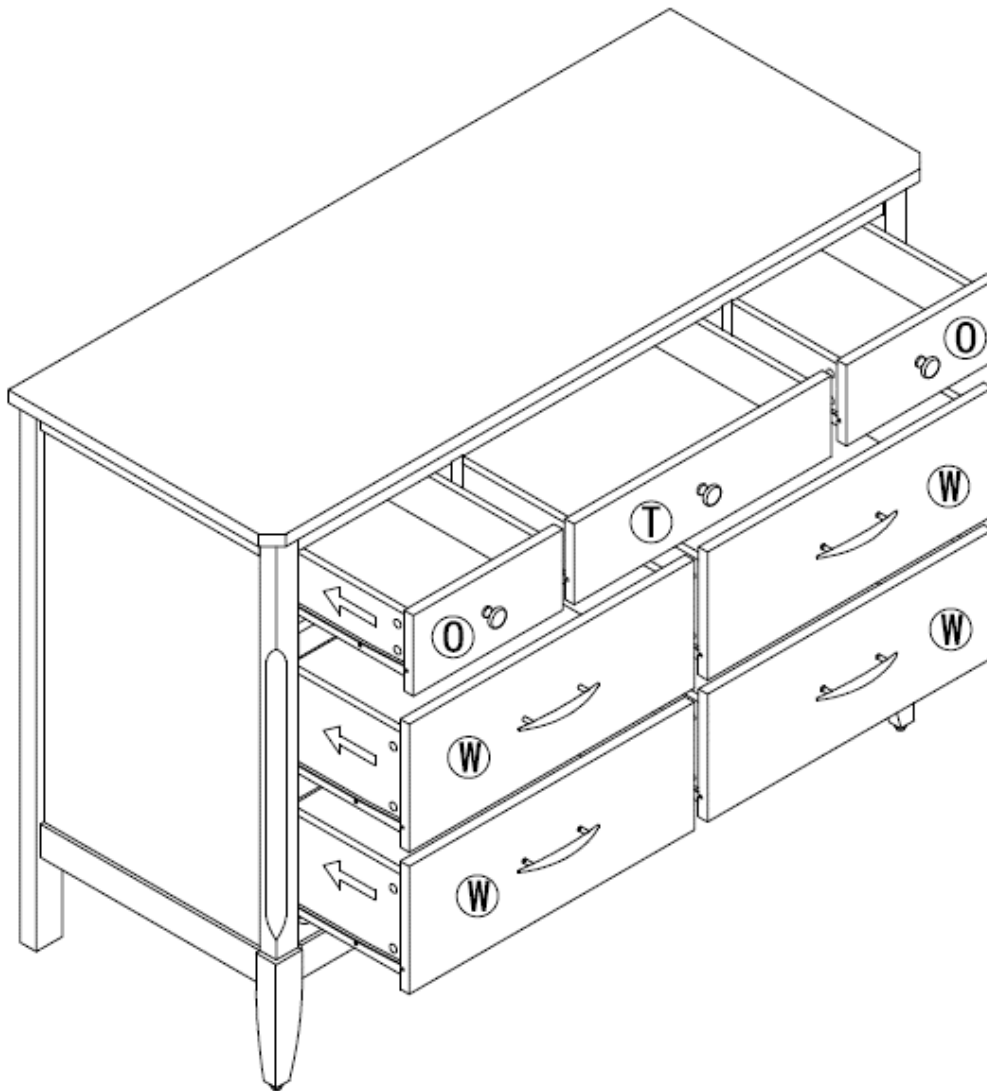


6		16PCS
11		8PCS
13		4PCS

Alvar Cómoda de 7 Cajones DA7325-1

ETAPA 20

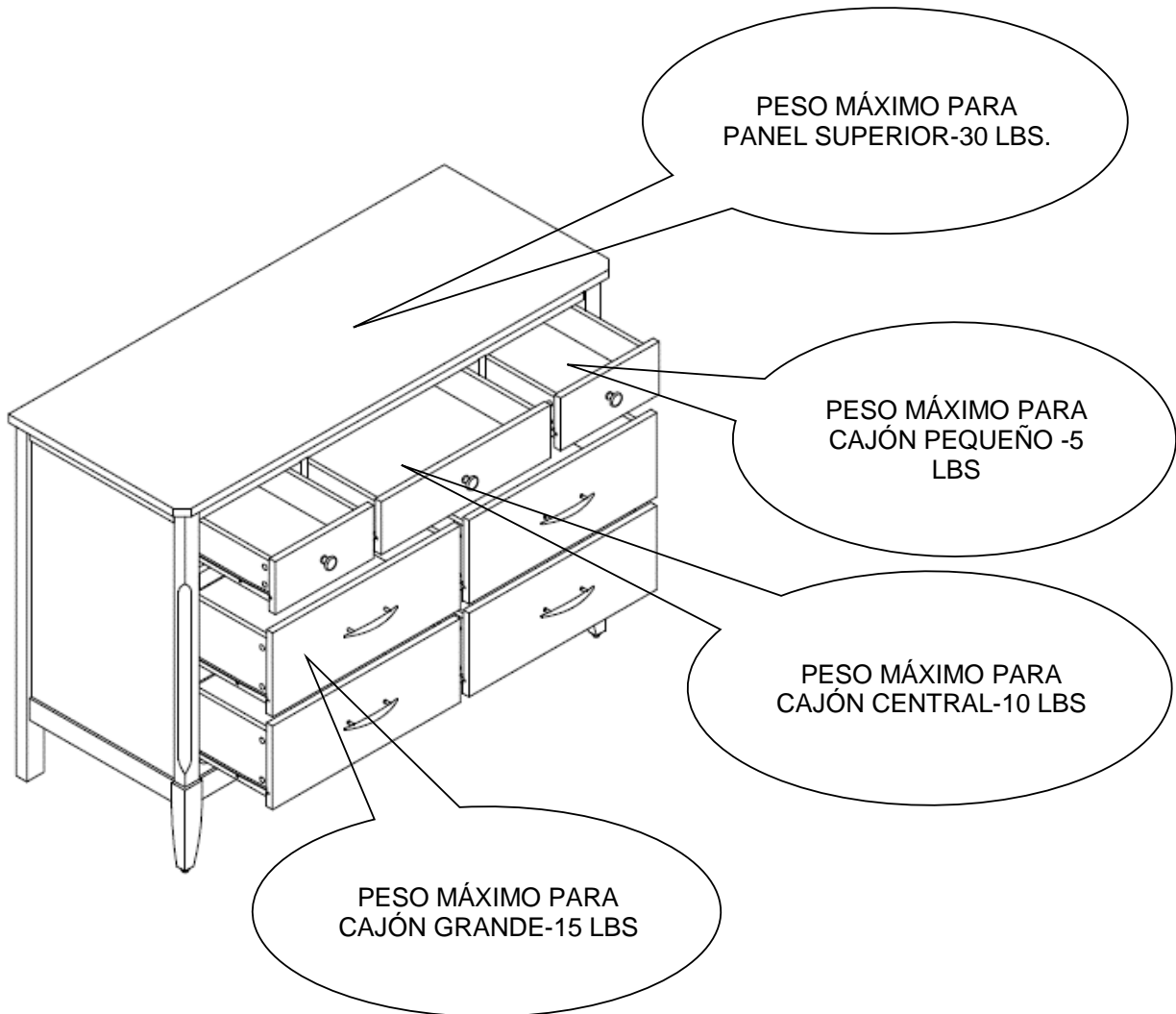
Coloque todos los cajones en la cómoda ya armada como ilustrado.



Alvar Cómoda de 7 Cajones DA7325-1



PRECAUCIÓN: Esta unidad está prevista únicamente para ser usada con los productos y el peso máximo indicados. El usarla con otros productos más pesados que el peso máximo indicado puede provocar inestabilidad y causar heridas.



¡Listo! ¡Ya ha terminado de ensamblar la Cómoda de 7 Cajones.

NO DEVUELVA EL PRODUCTO A LA TIENDA.

Si falta una pieza o está dañada, contacte nuestro departamento de servicio a la clientela. Reemplazaremos la pieza SIN cargo.



Tel #: 1-800-295-1980
Correo electrónico: das@dorel.com
Fax #: 514-353-7819

Servicio a la Clientela

POR FAVOR, NO DEVUELVA ESTE PRODUCTO A LA TIENDA

**POR FAVOR, CONTACTE LOS REPRESENTANTES DEL SERVICIO A LA CLIENTELA
A LOS SIGUIENTES NÚMEROS SI FALTA UNA PIEZA O ESTÁ DEFECTUOSA.**

Número de teléfono del Servicio a la Clientela 1-800-295-1980
Número de fax del Servicio a la Clientela 514-353-7819 Email: das@dorel.com

Fecha de pedido:

Nombre:

Dirección de envío:
Calle y número:
Ciudad y Estado:
Código postal:

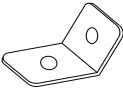



Teléfono para llamar de día:
(incluyendo código regional)

Fecha y lugar de compra:

Descripción de pieza(s) y cantidad: (Por favor, asegúrese de incluir número de modelo o número SKN)

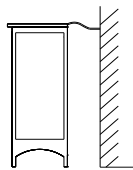
Dirección postal del Servicio a la Clientela:

Correa de seguridad para fijar el mueble a la pared

<p>A</p> 	<p>B</p> 	<p>C</p> 	<p>D</p> 
<p>GANCHO DE METAL 4 PZAS</p>	<p>CORREA DE SEGURIDAD PARA LA PARED 2 PZAS</p>	<p>TORNILLO LARGO 2 PZAS</p>	<p>TORNILLO CORTO 2 PZAS</p>

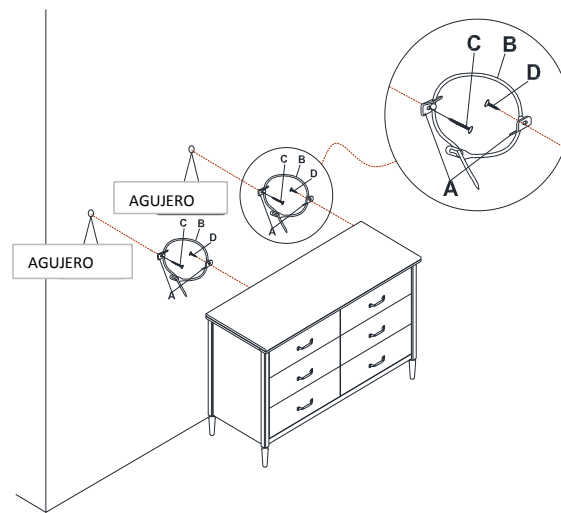
HERRAMIENTAS NECESARIAS: LA MASA DE CAUCHO Y EL DESTORNILLADOR PHILLIPS NO ESTÁN INCLUIDOS.

NOTA: LA MECHA DE 5/16" Y EL TALADRO ELÉCTRICO NO ESTÁN INCLUIDOS.



⚠️ ADVERTENCIA: ES POSIBLE QUE EL MUEBLE PUEDA VOLCARSE AL ESTAR DE PIE. INSTALE LA CORREA DE SEGURIDAD PARA LA PARED DETRÁS DEL MUEBLE PARA ASEGURARSE DE QUE NO SE VUELQUE.

SÍRVASE LEER TODAS LAS INSTRUCCIONES CON ATENCIÓN ANTES DE UTILIZAR ESTE PRODUCTO Y SÍRVASE CONSERVARLAS PARA SU USO FUTURO. SI TIENE PREGUNTAS, POR FAVOR LLAME A NUESTRO NÚMERO DE ATENCIÓN AL CLIENTE: 1-800-295-1980.



ETAPA 1: CON EL TORNILLO CORTO (D), FIJE FIRMEMENTE UN GANCHO DE METAL (A) A LA BARRA TRANSVERSAL SUPERIOR POSTERIOR DEL MEUBLE, A TRAVÉS DEL AGUJERO MÁS PEQUEÑO

ETAPA 2: CON UN ANCLAJE, COLOQUE EL OTRO GANCHO DE METAL (A) SOBRE LA PARED 2 PULGADAS POR DEBAJO DEL GANCHO YA COLOCADO EN LA PARTE POSTERIOR DEL MUEBLE. FÍJELO AL ANCLAJE DE LA PARED CON EL TORNILLO LARGO (C), A TRAVÉS DEL AGUJERO MÁS PEQUEÑO.

ETAPA 3: COLOQUE EL MUEBLE EN SU POSICIÓN DE MANERA QUE LOS DOS GANCHOS ESTÉN ALINEADOS VERTICALMENTE. PASE EL EXTREMO DE LA CORREA DE SEGURIDAD (B) A TRAVÉS DEL AGUJERO MÁS GRANDE DE CADA GANCHO (A). COLOQUE LOS DOS EXTREMOS JUNTOS Y DESLICE EL EXTREMO PLANO A TRAVÉS DEL EXTREMO DE LA FIJACIÓN HASTA QUE QUEDE BIEN AJUSTADO.

ETAPA 4: ASEGÚRESE DE QUE LA CORREA ESTÉ BIEN PASADA Y AJUSTADA.

PARA DESPLAZAR EL MUEBLE DESPUÉS DE HABER INSTALADO LA CORREA EN LA PARED, SIMPLEMENTE RETIRE EL TORNILLO (A) DE LA PARED PARA AFLOJAR LA CORREA DE SEGURIDAD.



Alvar Commode 7 Tiroirs

Modèle No:

DA7325-1 (Noyer)

CODE CUP :

0-65857-17231-7



NOTE:

CE MANUEL D'INSTRUCTIONS
CONTIENT INFORMATION
DE SÉCURITÉ **IMPORTANTE.**
VEUILLEZ LE LIRE ET LE CONSERVER
POUR RÉFÉRENCE ULTÉRIEURE.

Numéro de lot:

(SUR LA BOÎTE)

Date d'achat:

____ / ____ / ____

NE RETOURNEZ PAS LE PRODUIT AU MAGASIN.

Si une pièce est manquante ou endommagée, veuillez
communiquer avec notre service à la clientèle. Nous la
remplacerons GRATUITEMENT.



Tél : 1-800-295-1980
Courriel : das@dorel.com
Fax : 514-353-7819

SERVICE À LA CLIENTÈLE

Si une pièce est manquante, ou pour toute question concernant ce produit, veuillez d'abord communiquer avec notre représentant de service à la clientèle!

 **APPELEZ AU 1-800-295-1980**

Vous pouvez aussi commander des pièces en écrivant à l'adresse indiquée ci-dessous. Veuillez inclure le numéro de modèle du produit, la couleur et une description détaillée de la pièce.

Service à la clientèle No. 413
12345 Boulevard Albert-Hudon, bureau 100
Montréal, Québec
Canada H1G 3L1
COURRIEL : das@dorel.com

NOTES :

- * Veuillez vous assurer d'avoir toutes les pièces et composants avant de commencer l'assemblage.
- * Monter sur une surface douce, lisse pour éviter d'endommager la finition du produit.
- * Utilisez la courroie de sécurité fournie pour fixer le meuble au mur.
- * Phillips head screw driver is not included.
- * **NE PAS UTILISER** d'outils électriques.
- * ATTENTION: Doit être assemblé par un adulte.
- * Deux personnes peuvent être nécessaires pour l'assemblage et la manipulation.
- * Pour éviter des dommages, une fois les niveleurs installés, NE PAS traîner le meuble sur la surface pour le déplacer. Assurez-vous de le soulever.
- * Le temps d'assemblage estimé est de 60 minutes.

AVERTISSEMENT

Des blessures graves ou mortelles par écrasement peuvent se produire par des meubles renversés. Pour aider à prévenir les renversements:

- * Installer le dispositif de retenue fourni.
- * Placez les articles lourds dans les tiroirs inférieurs.
- * À moins d'être conçu spécifiquement pour accommoder, ne pas placer de téléviseurs ou d'autres objets lourds sur le dessus de ce produit.
- * Ne jamais laisser les enfants grimper ou se suspendre aux tiroirs, portes ou étagères.
- * Ne jamais ouvrir plus d'un tiroir à la fois.
- * Ne pas déjouer ou enlever le système de verrou du tiroir.
- * L'utilisation de dispositif de retenue peut seulement réduire, mais non éliminer le risque de renversement.

ENTRETIEN ET NETTOYAGE

Époussetez régulièrement avec un chiffon doux et sans charpie pour empêcher la poussière de s'accumuler. Essayez immédiatement. N'utilisez pas des produits nettoyants abrasifs sur le cadre de métal, car cela pourrait endommager la finition. Une exposition excessive au soleil et aux changements extrêmes de température et de l'humidité peut endommager le bois.

ENTRETIEN

Veuillez vérifier les boulons et les vis périodiquement et serrez-les si cela s'avère nécessaire.

GARANTIE LIMITEE

Dorel garantit que ce produit est exempt de tout défaut de matériaux et de fabrication et s'engage à remédier à un tel défaut. Cette garantie a une validité de 1 an à compter de la date originelle d'achat. Cette garantie est valide uniquement sur présentation de la preuve d'achat. Elle est strictement limitée à la réparation ou remplacement de pièces défectueuses et ne couvre pas les travaux d'assemblage. Cette garantie ne s'applique pas à un produit qui a été assemblé incorrectement, qui a fait l'objet d'un mauvais usage ou d'abus, qui a été modifié ou réparé. Cette garantie vous accorde des droits légaux spécifiques, mais vous pouvez avoir d'autres droits qui varient selon les États.


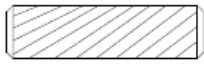

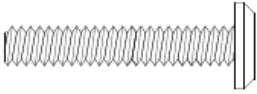

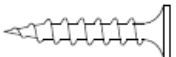
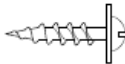
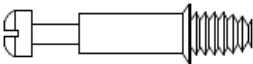



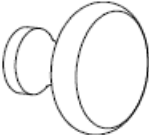

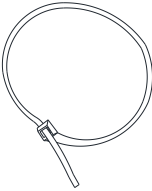


MISE EN GARDE : Si ce produit est endommagé, et/ou il lui manque des composantes ou elles sont brisées, NE L'UTILISEZ PAS.

Alvar Commode 7 Tiroirs

DA7325-1

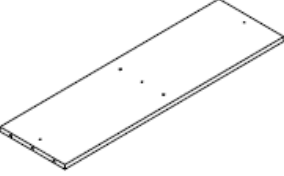



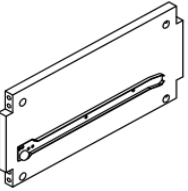
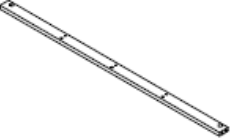

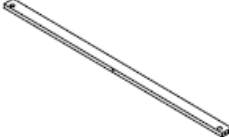
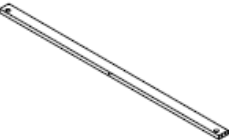
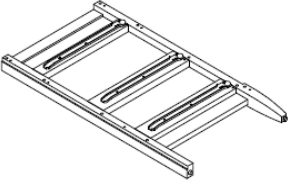
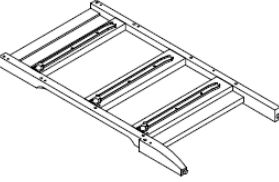

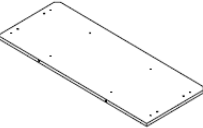
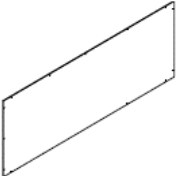
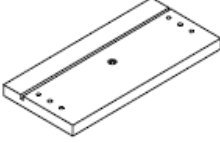
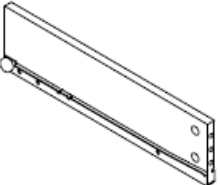
LISTE DE QUINCAILLERIE

<p>1</p> 	<p>2</p>  <p>Ø8 X 30mm</p>	<p>3</p> 
<p>GRAND BOULON À CAME 34 PCES</p>	<p>GRAND GOUJON DE BOIS 37 PCES</p>	<p>GRAND VERROUILLAGE À CAME 34 PCES</p>
<p>4</p>  <p>1/4" x 35mm</p>	<p>5</p> 	<p>6</p>  <p>Ø4 X 25mm</p>
<p>GRAND BOULON 1 PCE</p>	<p>CLÉ ALLEN 1 PCE</p>	<p>VIS 34 PCES</p>
<p>7</p>  <p>Ø3 X 15mm</p>	<p>8</p> 	<p>9</p>  <p>Ø6 X 20mm</p>
<p>VIS 16 PCES</p>	<p>PETIT BOULON À CAME 28 PCES</p>	<p>PETIT GOUJON DE BOIS 22 PCES</p>
<p>10</p> 	<p>11</p>  <p>Ø5/32" x 20mm</p>	<p>12</p> 
<p>PETIT VERROUILLAGE À CAME 28 PCES</p>	<p>PETIT BOULON 11 PCES</p>	<p>BOUTON 3 PCES</p>
<p>13</p> 	<p>14</p> 	
<p>POIGNÉE 4 PCES</p>	<p>COURROIE DE SÉCURITÉ 1 KIT</p>	

Alvar Commode 7 Tiroirs

DA7325-1

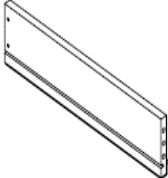
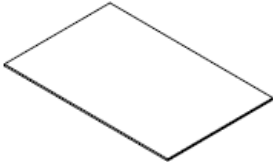
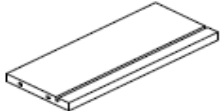
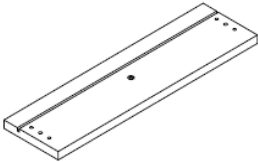
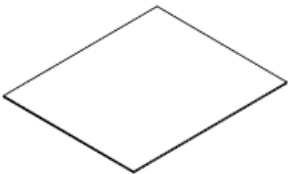
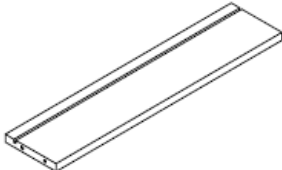
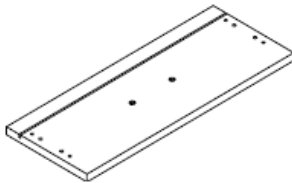

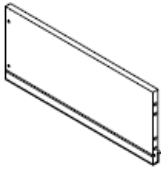
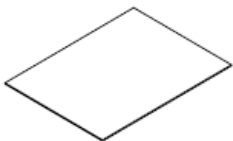
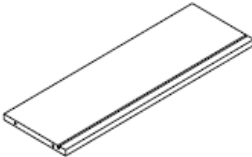
LISTE DE PIÈCES

<p style="text-align: center;">A</p> 	<p style="text-align: center;">B</p> 	<p style="text-align: center;">C</p> 	<p style="text-align: center;">D</p> 
<p style="text-align: center;">PANNEAU INFÉRIEUR ARRIÈRE 1 PCE</p>	<p style="text-align: center;">PANNEAU INFÉRIEUR CENTRAL 1 PCE</p>	<p style="text-align: center;">BARRE CENTRALE ARRIÈRE 1 PCE</p>	<p style="text-align: center;">BARRE SUPÉRIEURE 2 PCES</p>
<p style="text-align: center;">E</p> 	<p style="text-align: center;">F</p> 	<p style="text-align: center;">G</p> 	<p style="text-align: center;">H</p> 
<p style="text-align: center;">PANNEAU SUPÉRIEUR CENTRAL 2 PCES</p>	<p style="text-align: center;">BARRE CENTRALE AVANT 1 PCE</p>	<p style="text-align: center;">BARRE INFÉRIEURE AVANT 1 PCE</p>	<p style="text-align: center;">BARRE INFÉRIEURE CENTRALE 1 PCE</p>
<p style="text-align: center;">I</p> 	<p style="text-align: center;">J</p> 	<p style="text-align: center;">K</p> 	<p style="text-align: center;">L</p> 
<p style="text-align: center;">BARRE DE SUPPORT 1 PCE</p>	<p style="text-align: center;">CADRE LATÉRAL DROIT 1 PCE</p>	<p style="text-align: center;">CADRE LATÉRAL GAUCHE 1 PCE</p>	<p style="text-align: center;">PIED DE SUPPORT 1 PCE</p>
<p style="text-align: center;">M</p> 	<p style="text-align: center;">N</p> 	<p style="text-align: center;">O</p> 	<p style="text-align: center;">P</p> 
<p style="text-align: center;">DESSUS DU MEUBLE 1 PCE</p>	<p style="text-align: center;">PANNEAU POSTÉRIEUR SUPÉRIEUR 1 PCE</p>	<p style="text-align: center;">DEVANT DU PETIT TIROIR 2 PCES</p>	<p style="text-align: center;">CÔTÉ GAUCHE TIROIR SUPÉRIEUR 3 PCES</p>

Alvar Commode 7 Tiroirs

DA7325-1

LISTE DE PIÈCES

<p>Q</p> 	<p>R</p> 	<p>S</p> 	<p>T</p> 
<p>CÔTÉ DROIT TIROIR SUPÉRIEUR 3 PCES</p>	<p>FOND DU PETIT TIROIR 2 PCES</p>	<p>CÔTÉ ARRIÈRE DU PETIT TIROIR 2 PCES</p>	<p>DEVANT TIROIR CENTRAL 1 PCE</p>
<p>U</p> 	<p>V</p> 	<p>W</p> 	<p>X</p> 
<p>FOND TIROIR CENTRAL 1 PCE</p>	<p>CÔTÉ ARRIÈRE TIROIR CENTRAL 1 PCE</p>	<p>DEVANT GRAND TIROIR 4 PCES</p>	<p>CÔTÉ GAUCHE GRAND TIROIR 4 PCES</p>
<p>Y</p> 	<p>Z</p> 	<p>AA</p> 	
<p>CÔTÉ DROIT GRAND TIROIR 4 PCES</p>	<p>FOND GRAND TIROIR 4 PCES</p>	<p>CÔTÉ ARRIÈRE GRAND TIROIR 4 PCES</p>	

Alvar Commode 7 Tiroirs

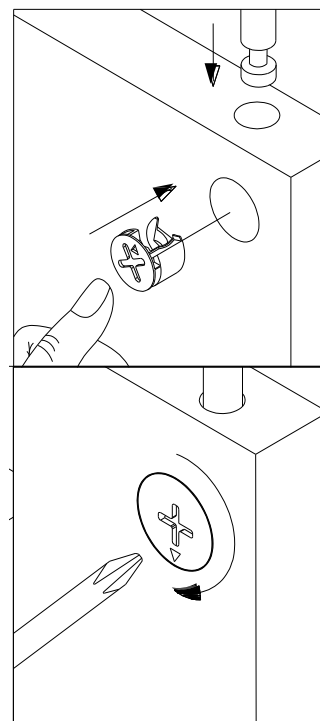
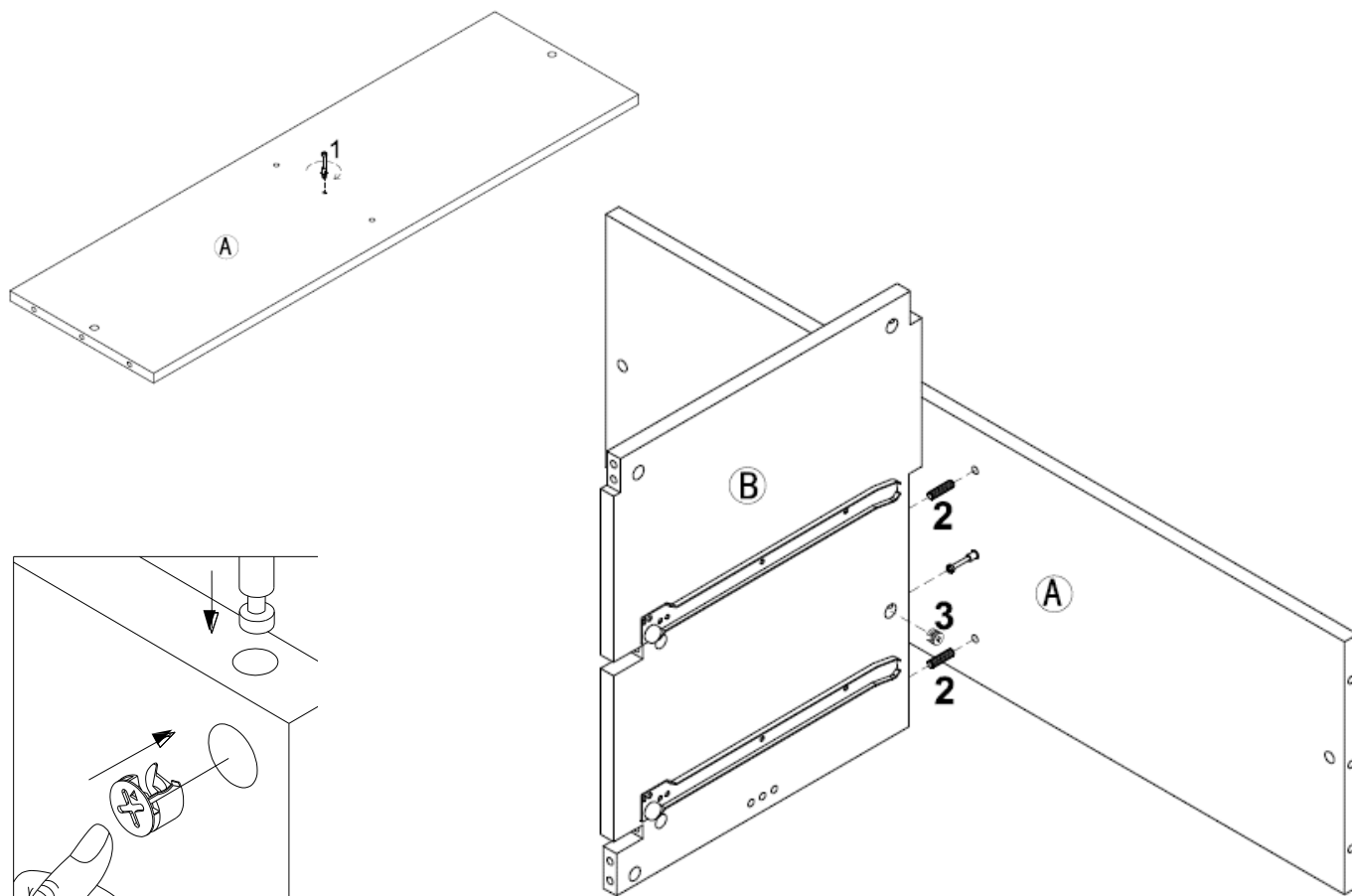
DA7325-1

ÉTAPE 1

Insérez un grand boulon à came (1) dans le panneau inférieur arrière (A) comme illustré.

Insérez un grand verrouillage à came (3) dans le panneau inférieur central (B).

Attachez le panneau inférieur central (B) au panneau inférieur arrière (A) avec des grands goujons de bois (2) comme illustré. Fixez le panneau inférieur central (B) en tournant le grand verrouillage à came (3) 1/2 tour dans le sens des aiguilles d'une montre à l'aide d'un tournevis cruciforme (non compris).



1		1 PC
2		2 PCS
3		1 PC

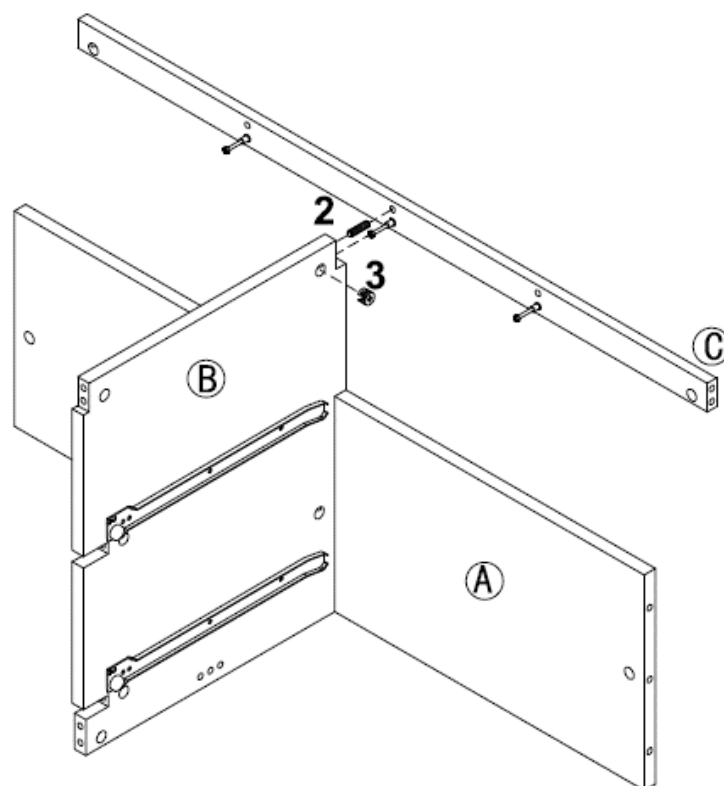
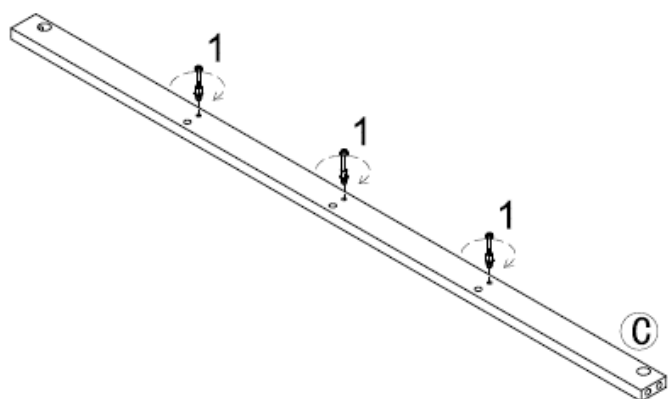
Alvar Commode 7 Tiroirs

DA7325-1

ÉTAPE 2

Insérez un grand boulon à came (1) dans la barre centrale arrière (C) comme illustré.
Insérez un grand verrouillage à came (3) dans le panneau inférieur central (B).

Attachez la barre centrale arrière (C) au panneau inférieur central (B) avec un grand goujon de bois (2) comme illustré. Fixez la barre centrale arrière en tournant le grand verrouillage à came (3) placé sur le panneau inférieur central (B) 1/2 tour dans le sens des aiguilles d'une montre à l'aide d'un tournevis cruciforme (non compris).



1		3PCS
---	--	------

2		1PC
---	--	-----

3		1PC
---	--	-----

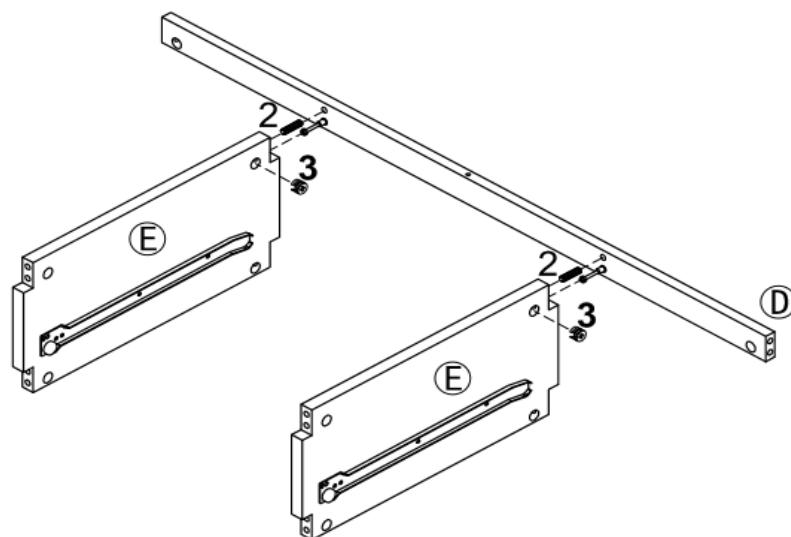
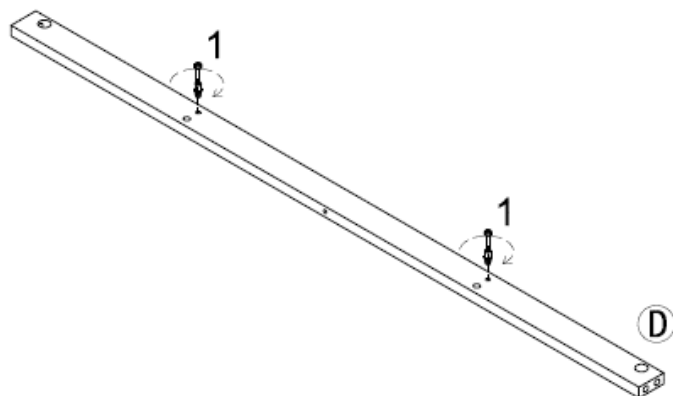
Alvar Commode 7 Tiroirs

DA7325-1

ÉTAPE 3

Insérez des grands boulons à came (1) dans la barre supérieure (D) comme illustré.
Insérez des grands verrouillages à came (3) dans les panneaux supérieurs centraux (E).
Attachez les panneaux supérieurs centraux (E) à la barre supérieure (D) avec des grands goujons de bois (2) comme illustré.

Fixez les panneaux supérieurs centraux (E) à la barre supérieure (D) en tournant les grands verrouillages à came (3) placés dans les panneaux supérieurs centraux (E) 1/2 tour dans le sens des aiguilles d'une montre à l'aide d'un tournevis cruciforme (non compris).



1		2PCS
2		2PCS
3		2PCS

Alvar Commode 7 Tiroirs

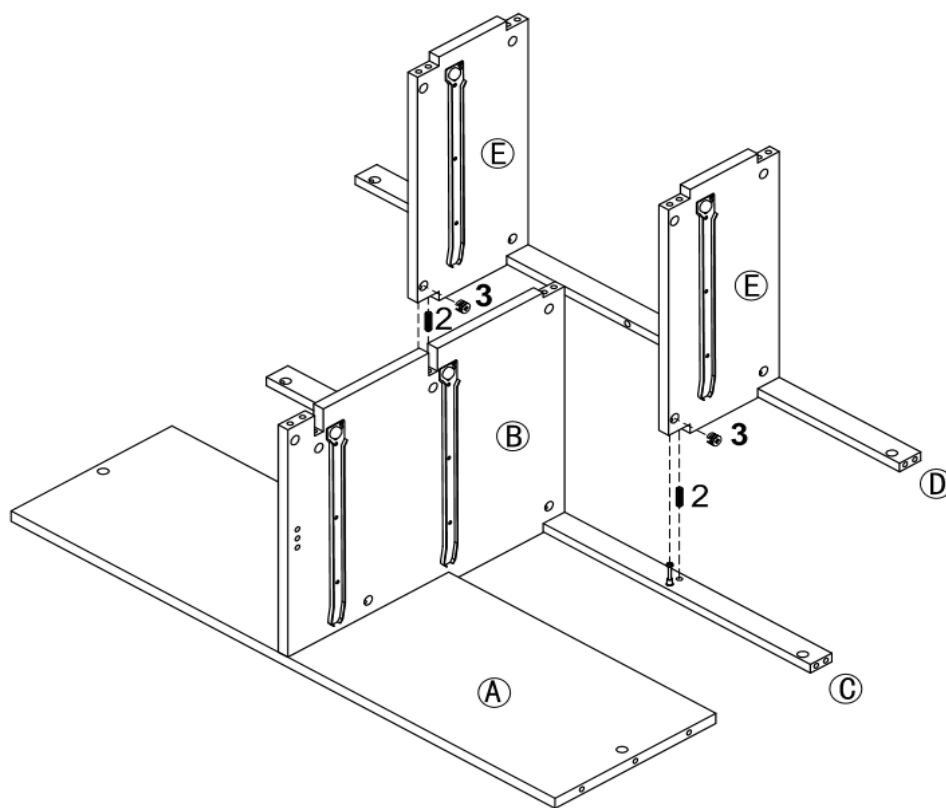
DA7325-1

ÉTAPE 4

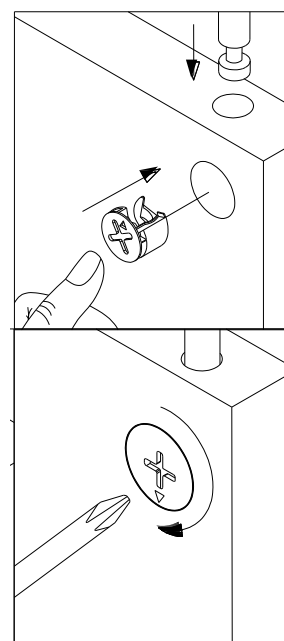
Insérez des grands verrouillages à came (3) dans les panneaux supérieurs centraux (E).

Attachez les panneaux supérieurs centraux (E) à la barre centrale arrière (C) avec des grands goujons de bois (2) comme illustré.

Fixez les panneaux supérieurs centraux (E) à la barre centrale arrière (C) en tournant les grands verrouillages à came (3) placés dans les panneaux supérieurs centraux (E) 1/2 tour dans le sens des aiguilles d'une montre à l'aide d'un tournevis cruciforme (non compris).



2		2PCS
3		2PCS



Alvar Commode 7 Tiroirs

DA7325-1

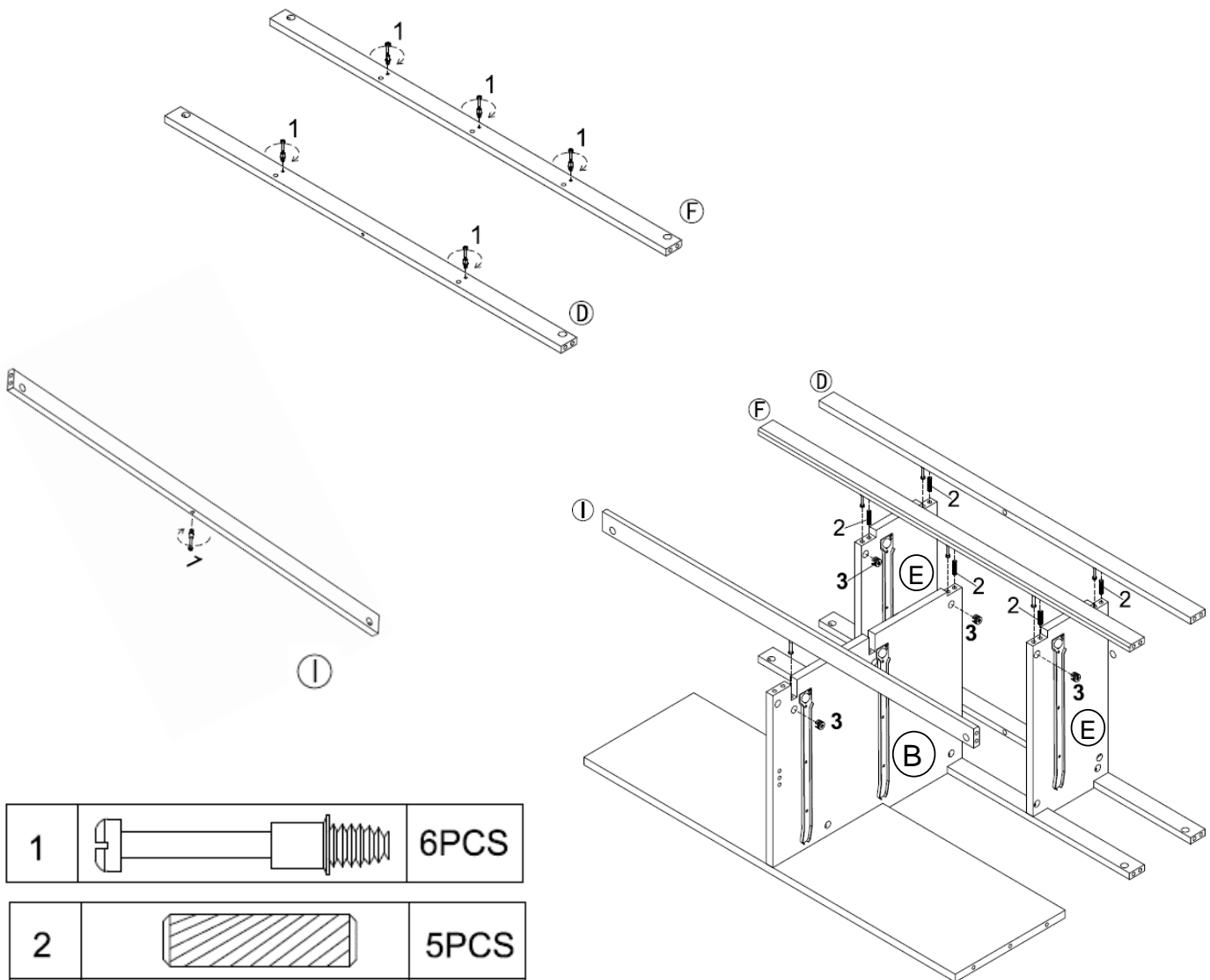
ÉTAPE 5

Insérez des grands boulons à came (1) dans les barres (I, D et F).

Insérez des grands verrouillages à came (3) et des grands goujons de bois (2) dans les panneaux supérieurs centraux (E) et dans le panneau inférieur central (B) comme illustré ci-dessous.

Attachez les barres (I, D et F) à la partie déjà assemblée comme illustré ci-dessous.

Fixez les barres (I, D et F) à l'unité déjà assemblée en tournant les grands verrouillages à came (3) 1/2 tour dans le sens des aiguilles d'une montre à l'aide d'un tournevis cruciforme (non compris).



1		6PCS
---	--	------

2		5PCS
---	--	------

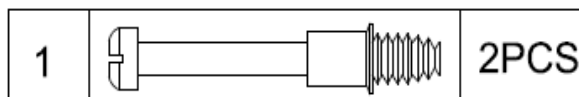
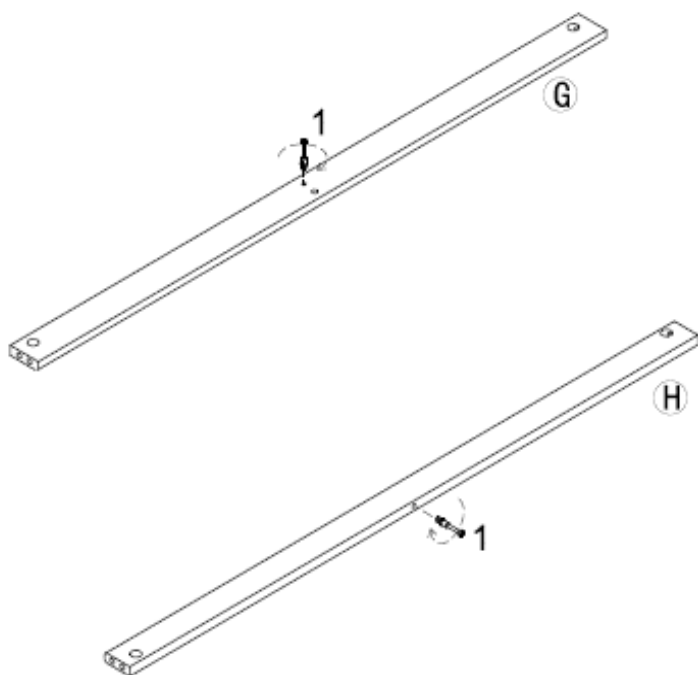
3		6PCS
---	--	------

Alvar Commode 7 Tiroirs

DA7325-1

ÉTAPE 6

Insérez des grands boulons à came (1) dans la barre inférieure avant (G) et dans la barre inférieure centrale (H) comme illustré.



Alvar Commode 7 Tiroirs

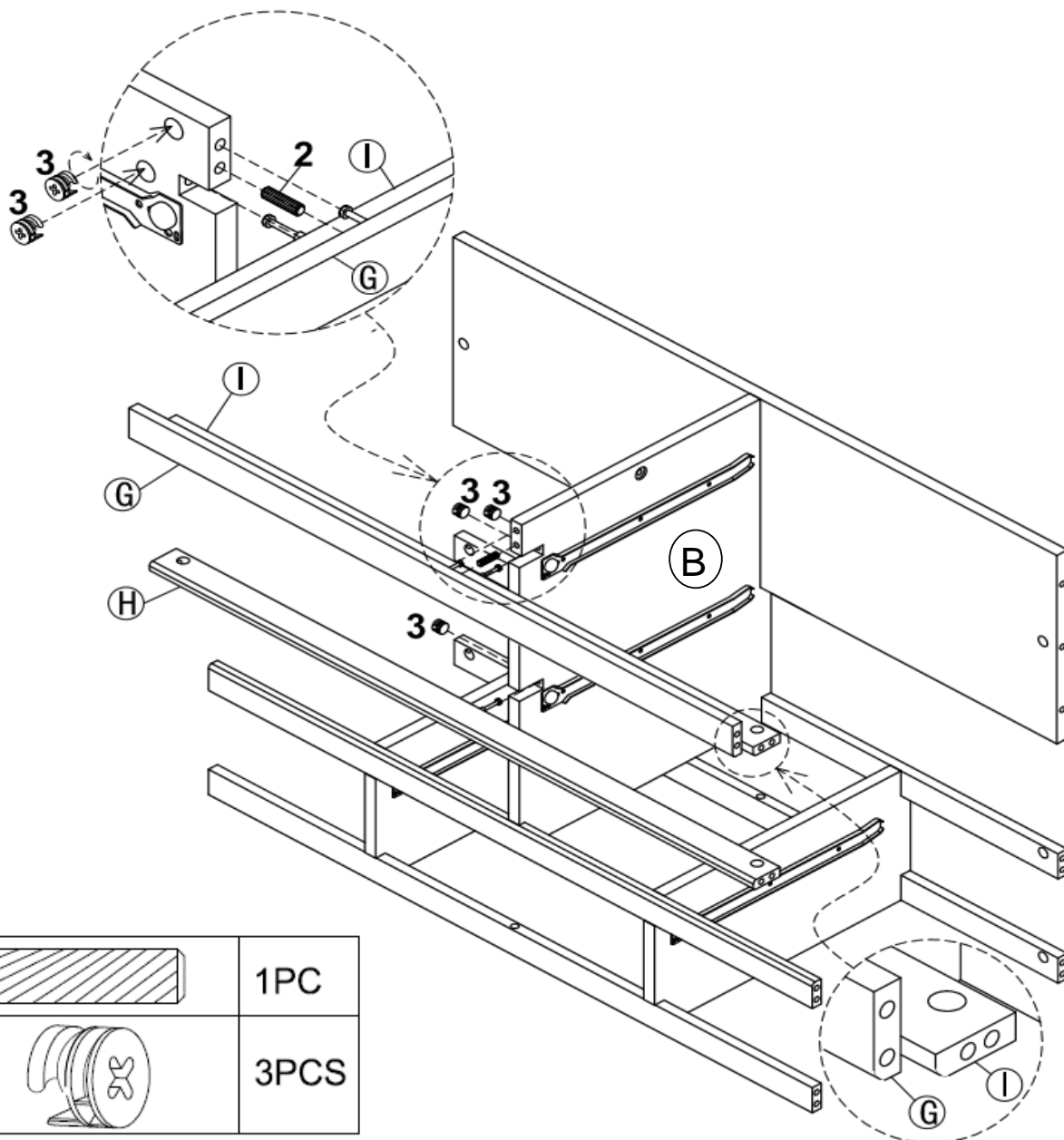
DA7325-1

ÉTAPE 7

Tournez l'unité déjà assemblée à l'envers. Insérez un grand goujon de bois (2) et des grands verrouillages à came (3) dans le panneau inférieur central (B).

Attachez les barres (G et H) à l'unité assemblée comme illustré.

Fixez les barres (G et H) à l'unité déjà assemblée en tournant les grands verrouillages à came (3) 1/2 tour dans le sens des aiguilles d'une montre à l'aide d'un tournevis cruciforme (non compris).



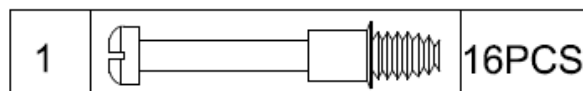
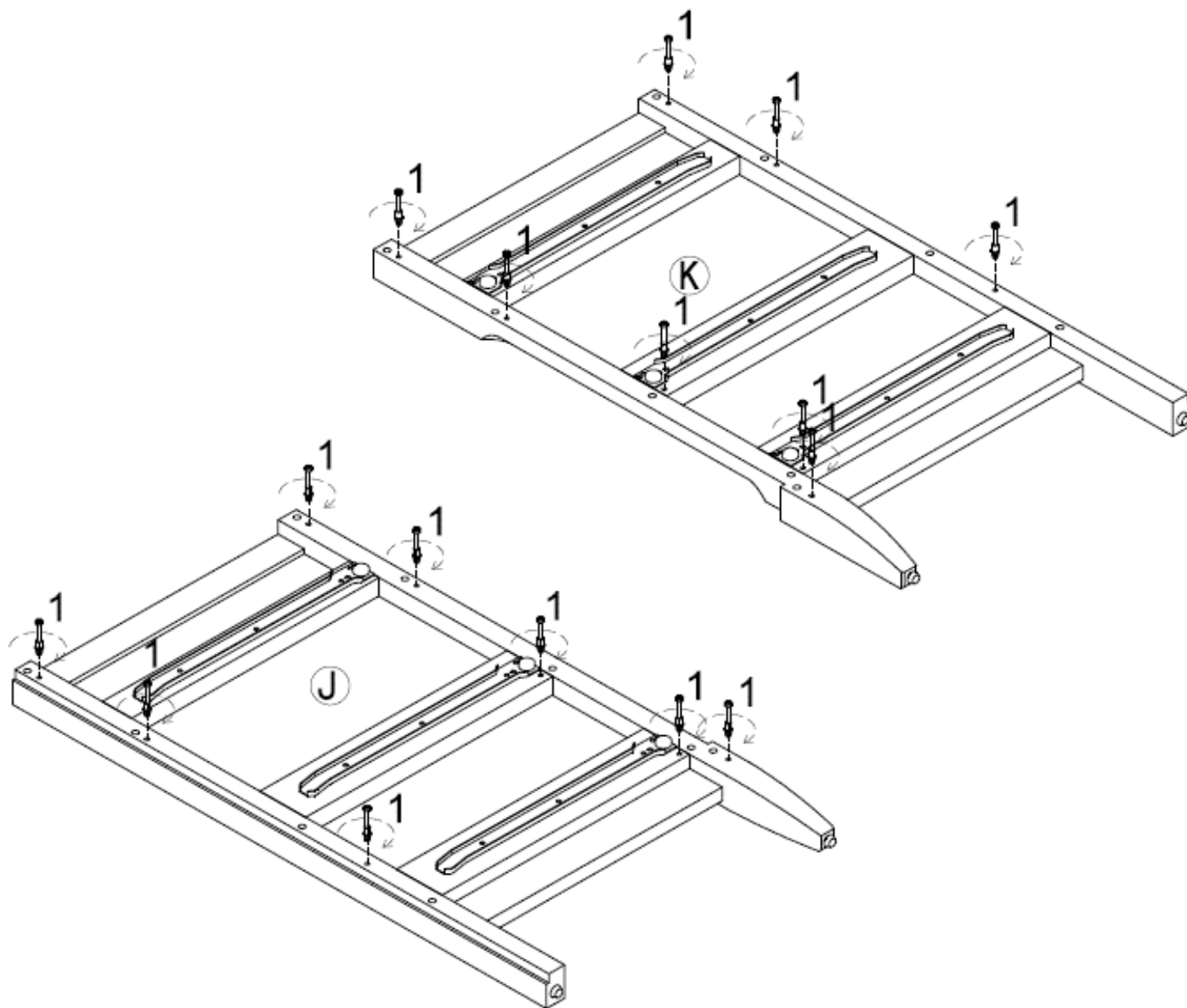
2		1PC
3		3PCS

Alvar Commode 7 Tiroirs

DA7325-1

ÉTAPE 8

Insérez des grands boulons à came (1) dans les panneaux latéraux droit et gauche (J et K) comme illustré.



Alvar Commode 7 Tiroirs

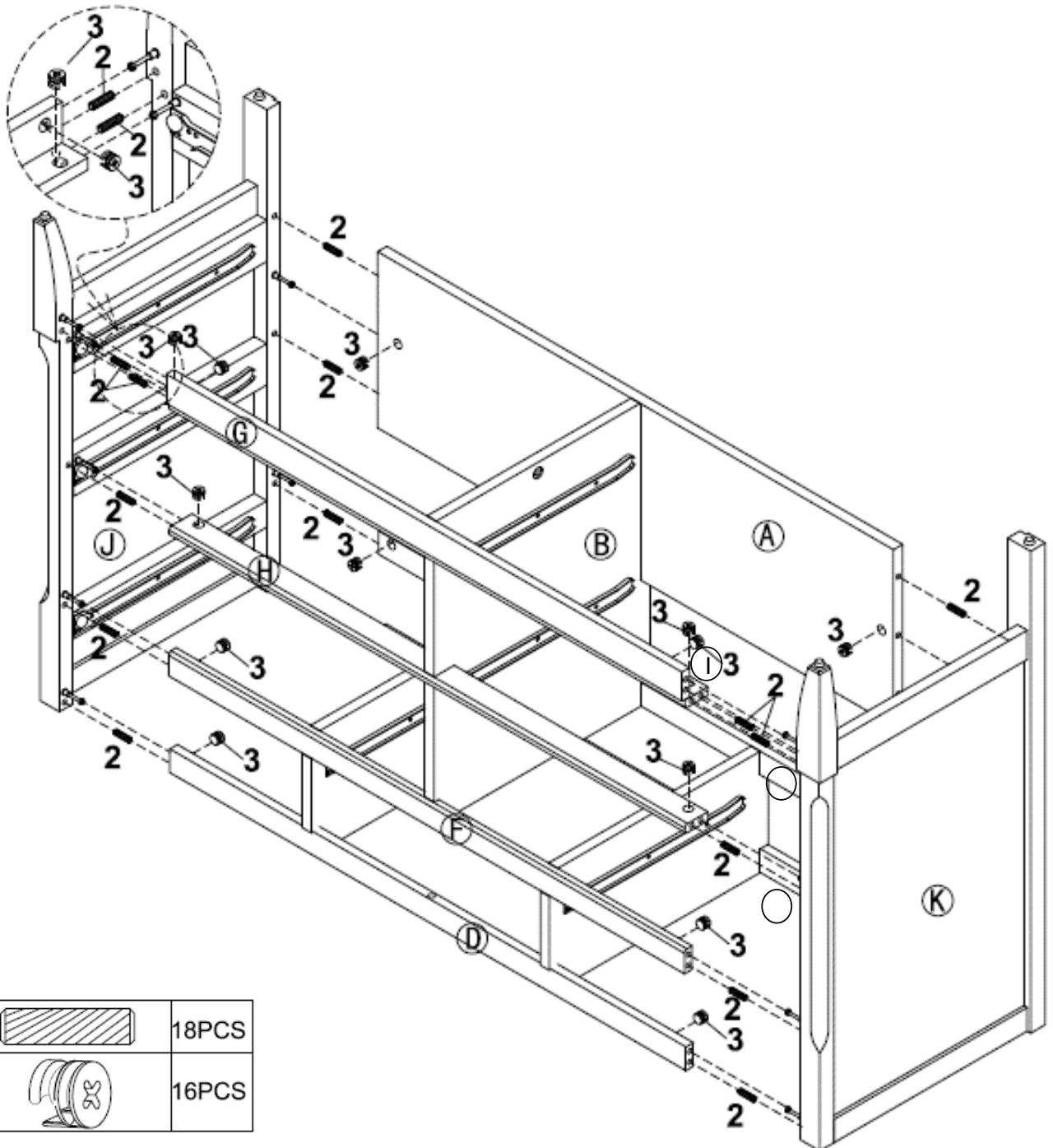
DA7325-1



ÉTAPE 9

Insérez des grands goujons de bois (2) et des grands verrouillages à came (3) dans les barres (G, I, H, F, C et D) et dans le panneau inférieur arrière (A) comme illustré.

Attachez les panneaux latéraux droit et gauche (J et K) à l'unité déjà assemblée comme illustré ci-dessous.

Fixez les panneaux latéraux droit et gauche (J et K) à l'unité assemblée en tournant les grands verrouillages à came (3) 1/2 tour dans le sens des aiguilles d'une montre à l'aide d'un tournevis cruciforme (non compris).



2		18PCS
3		16PCS

Alvar Commode 7 Tiroirs

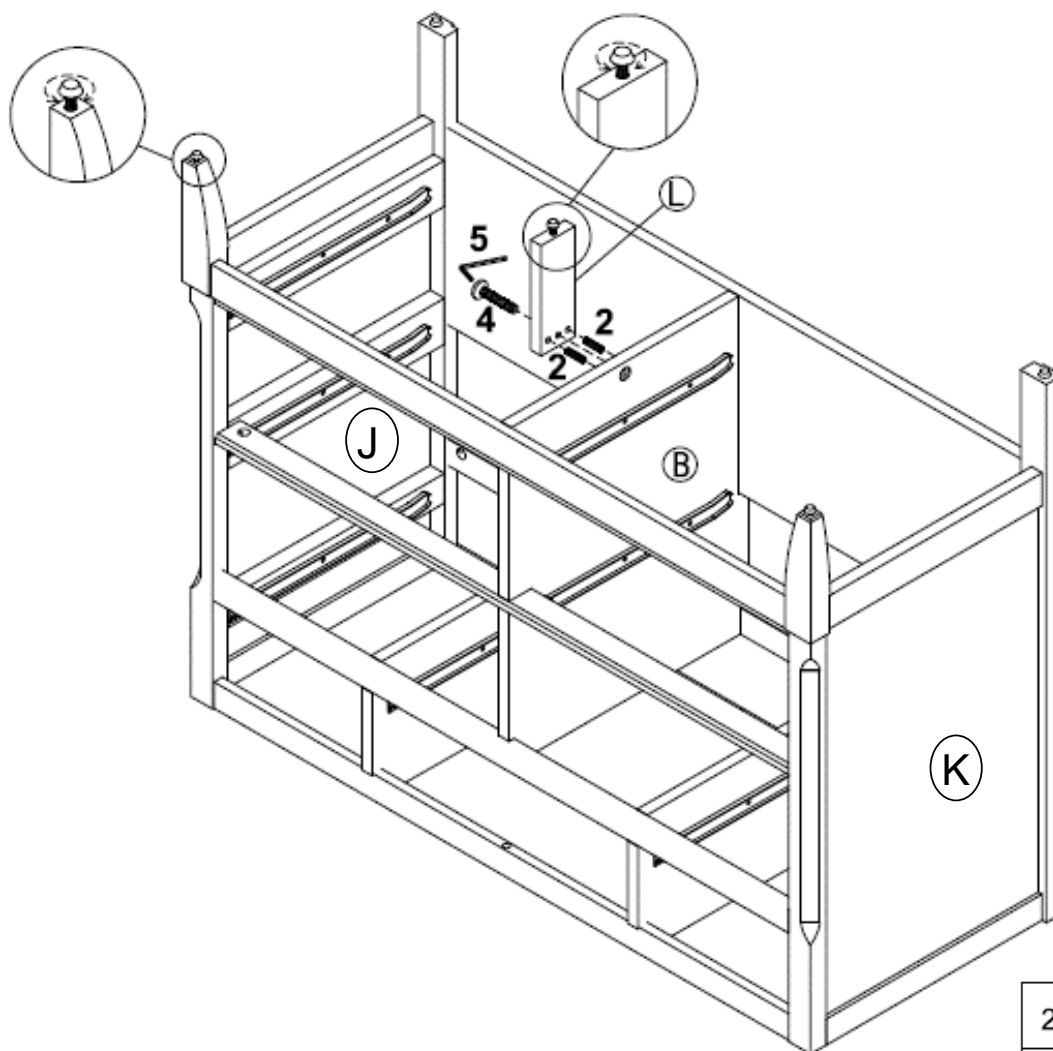
DA7325-1




ÉTAPE 10

Attachez le pied de support (L) au panneau inférieur central (B) avec un boulon (4) et des grands goujons de bois (2) comme illustré.

Servez-vous de la clé Allen (5) pour serrer les boulons.

NOTE- Le pied de support (L) et les panneaux latéraux (J et K) sont équipés de niveleurs ajustables. Lorsque l'assemblage sera complété et le meuble placé à l'endroit désiré, tournez les niveleurs ajustables dans le sens des aiguilles d'une montre ou dans le sens contraire aux aiguilles d'une montre jusqu'à ce que le meuble soit bien appuyé sur le plancher.



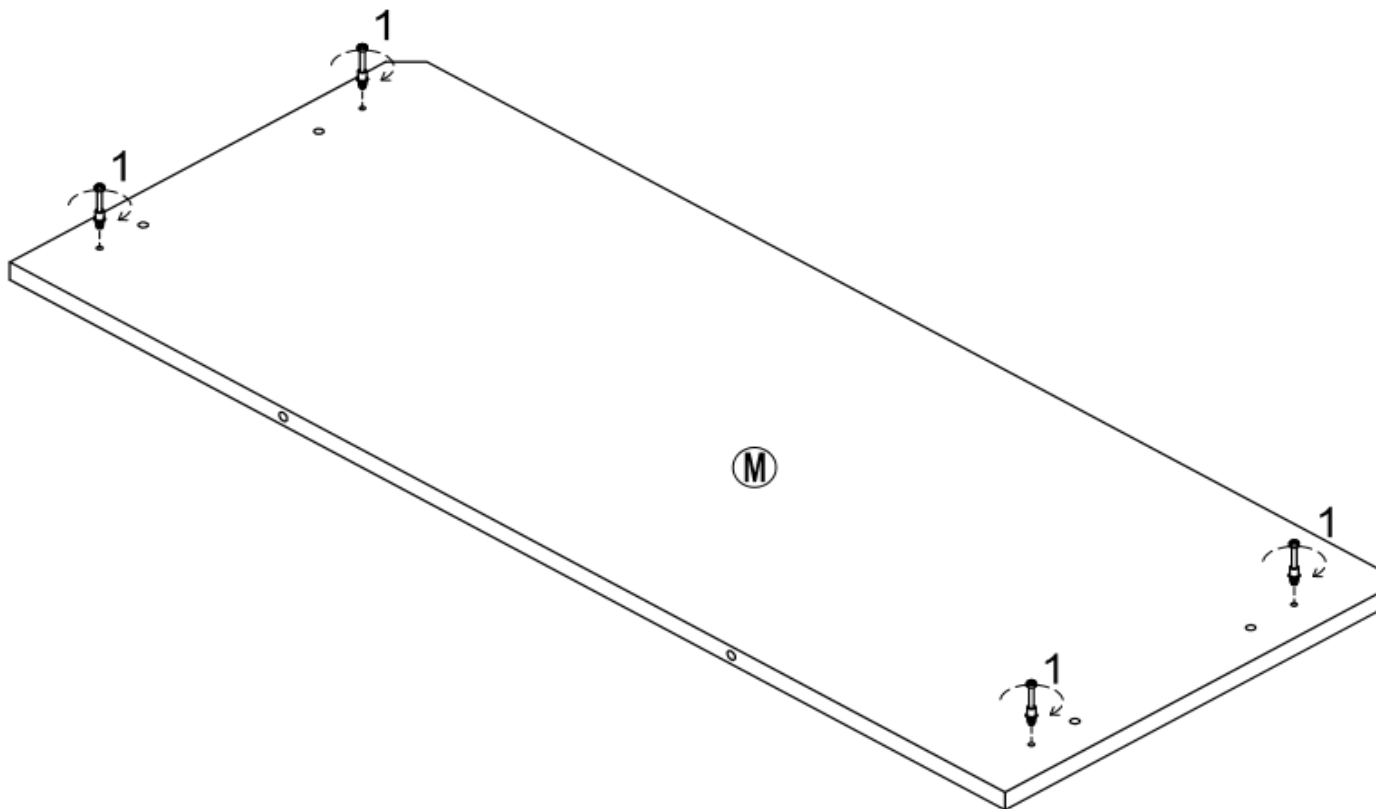
2		2PCS
4		1PC
5		

Alvar Commode 7 Tiroirs

DA7325-1

ÉTAPE 11

Insérez des grands boulons à came (1) dans le dessus du meuble (M) comme illustré.



Alvar Commode 7 Tiroirs

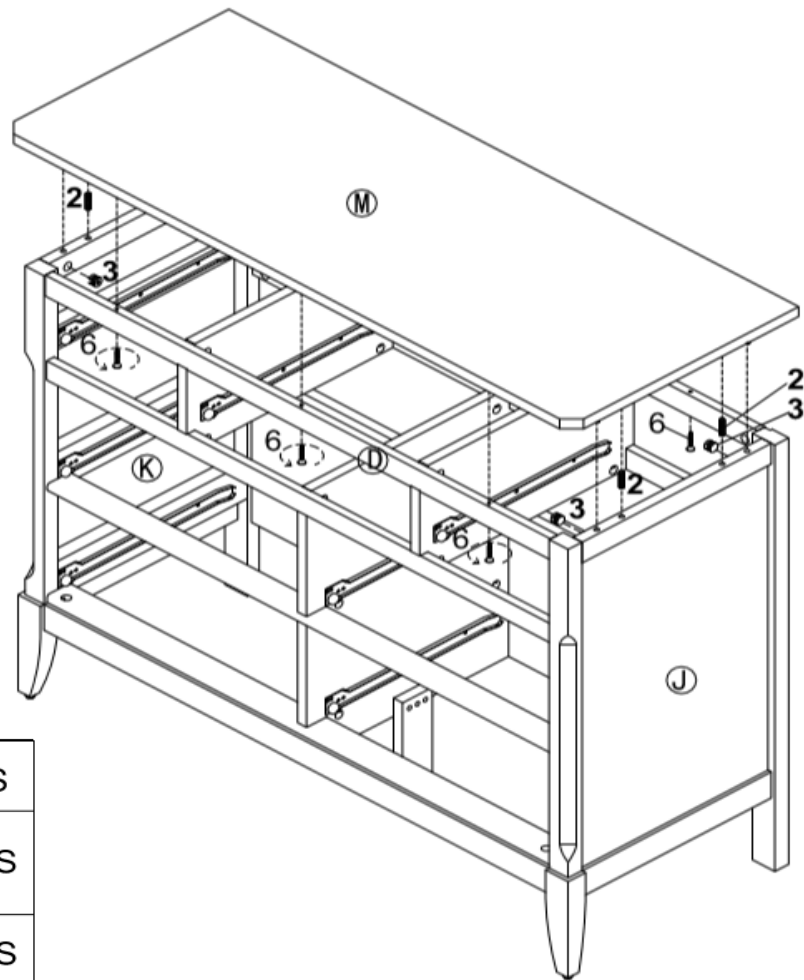
DA7325-1



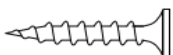
ÉTAPE 12

Insérez des grands goujons de bois (2) et des grands verrouillages à came (3) dans le panneau latéral gauche (K) et dans le panneau latéral droit (J) comme illustré.

Placez le dessus du meuble (M) sur l'unité déjà assemblée.

Fixez le dessus du meuble (M) à l'unité assemblée avec des vis (6) et en tournant les grands verrouillages à came (3) 1/2 tour dans le sens des aiguilles d'une montre à l'aide d'un tournevis cruciforme (non compris).



2		4PCS
3		4PCS
6		6PCS

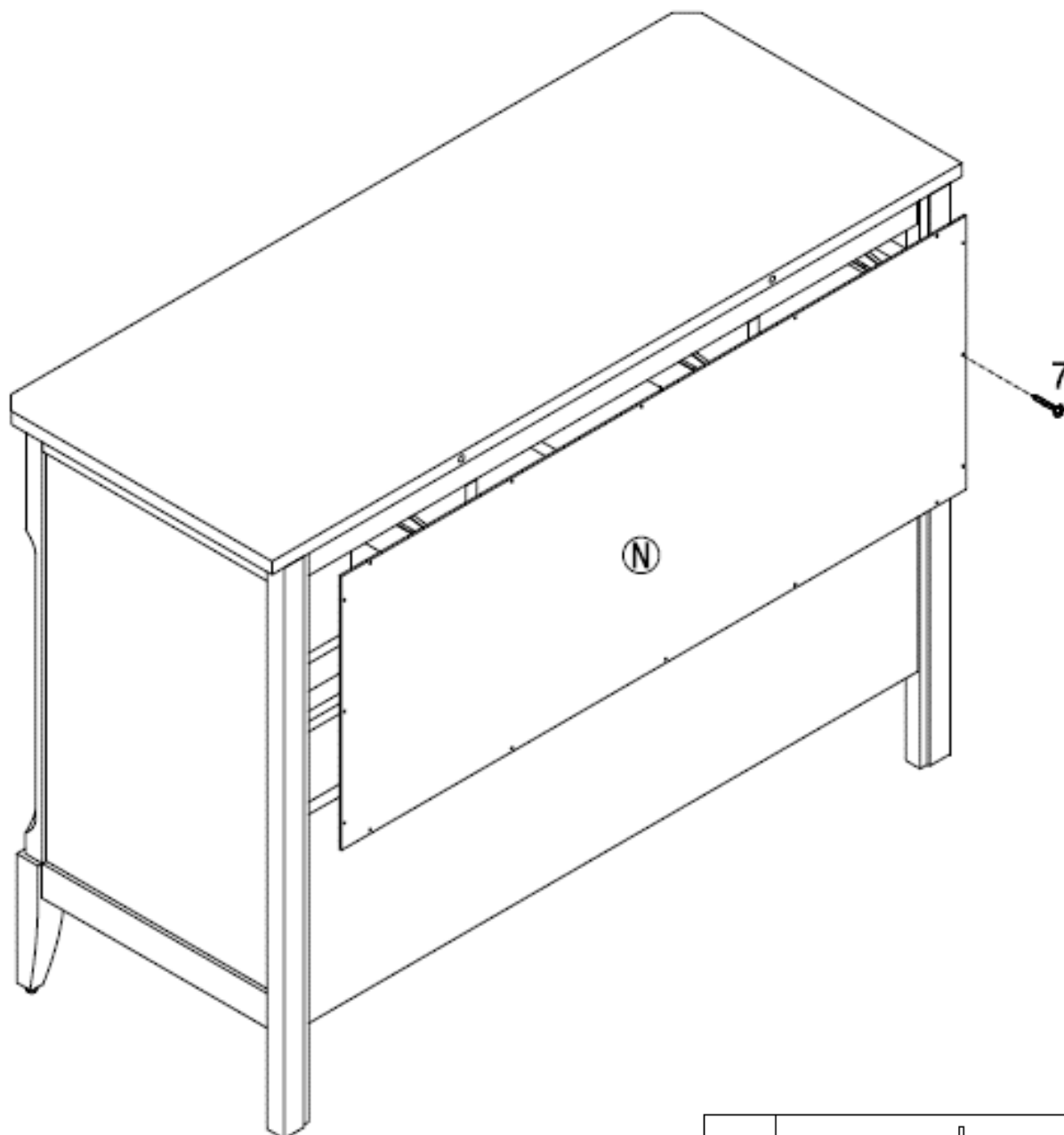
Alvar Commode 7 Tiroirs

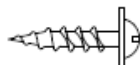
DA7325-1

ÉTAPE 13

Attachez le panneau postérieur supérieur (N) à l'unité assemblée avec des vis (7) comme illustré.

Servez-vous d'un tournevis cruciforme (non compris) pour serrer les vis.



7		16PCS
---	---	-------

Alvar Commode 7 Tiroirs

DA7325-1

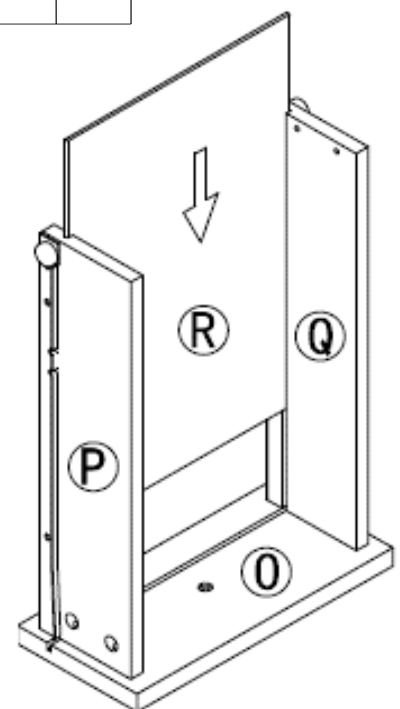
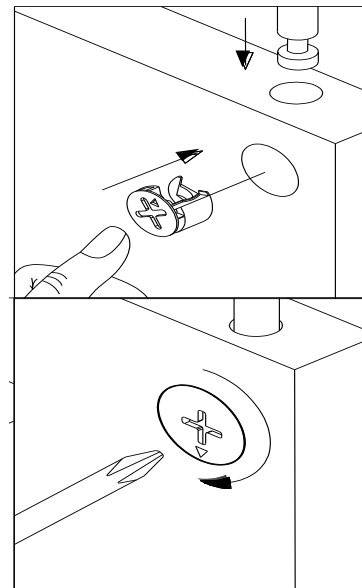
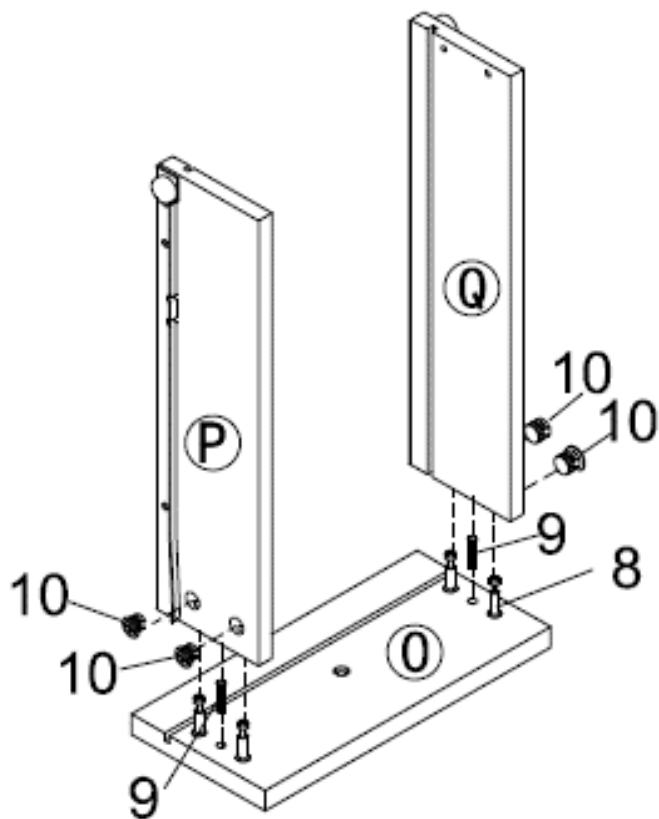
ÉTAPE 14

Insérez des petits boulons à came (8) et des petits goujons de bois (9) dans le devant du petit tiroir (O).

Insérez des petits verrouillages à came (10) dans le côtés gauche et droit du tiroir supérieur (P et Q).

Attachez les côtés gauche et droit du tiroir (P et Q) au devant du petit tiroir (O). Fixez les côtés du tiroir en tournant les petits verrouillages à came (10) 1/2 tour dans le sens des aiguilles d'une montre à l'aide d'un tournevis cruciforme (non compris).

Glissez le fond du petit tiroir (R) dans les rainures des côtés gauche et droit du tiroir (P et Q) et du fond du tiroir (O).



8		8PCS
9		4PCS
10		8PCS

Alvar Commode 7 Tiroirs

DA7325-1

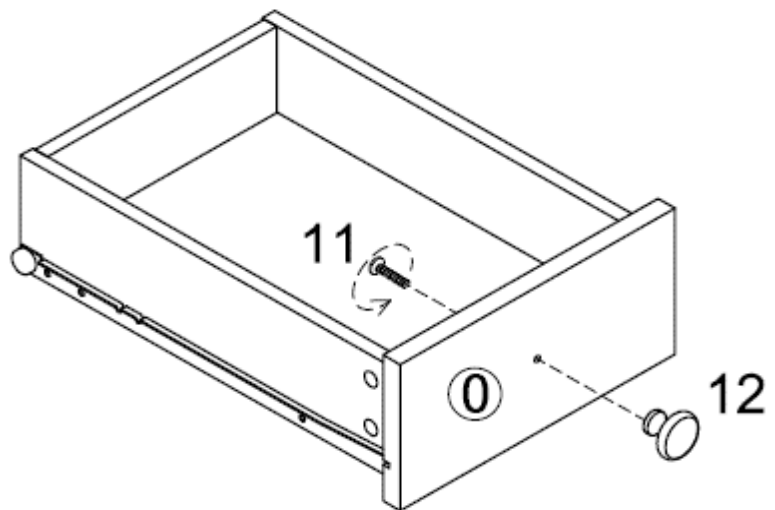
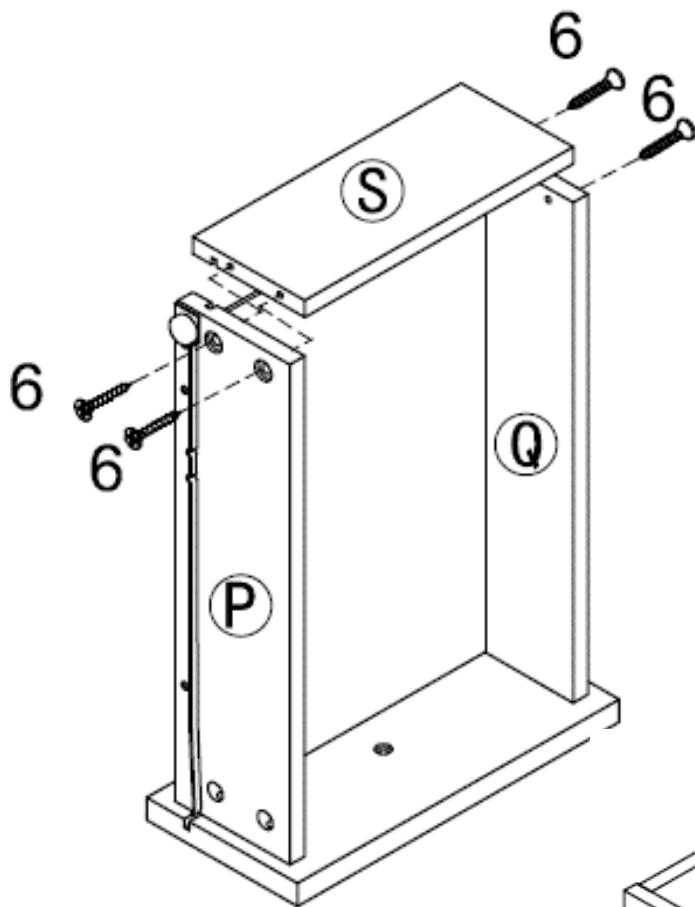
ÉTAPE 15

Attachez le côté arrière du petit tiroir (S) aux côtés gauche et droit du tiroir supérieur (P et Q) avec des vis (6).

Servez-vous d'un tournevis cruciforme (non compris) pour serrer les vis.

Attachez le bouton (12) au devant du petit tiroir (O) avec un boulon (11). Servez-vous d'un tournevis cruciforme (non compris) pour serrer le boulon.

Répétez les étapes 14 et 15 pour assembler l'autre petit tiroir.



6		8PCS
11		2PCS
12		2PCS

Alvar Commode 7 Tiroirs

DA7325-1

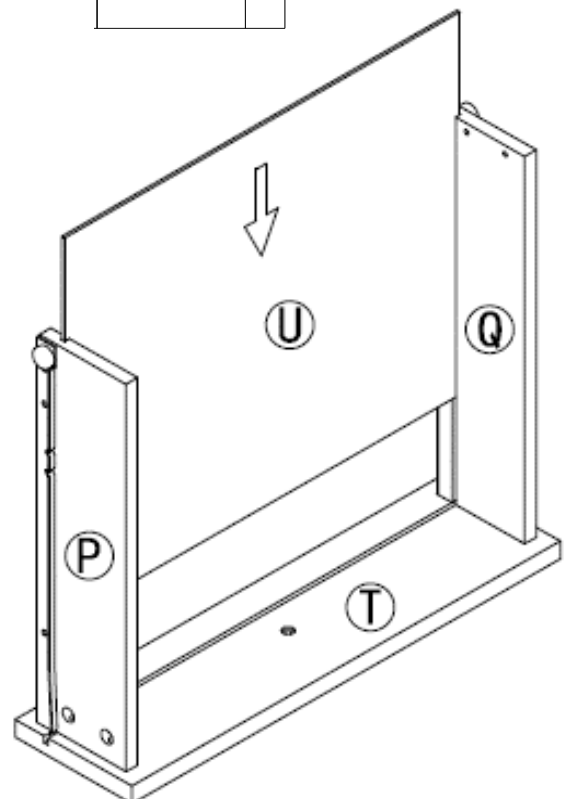
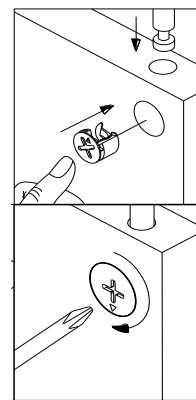
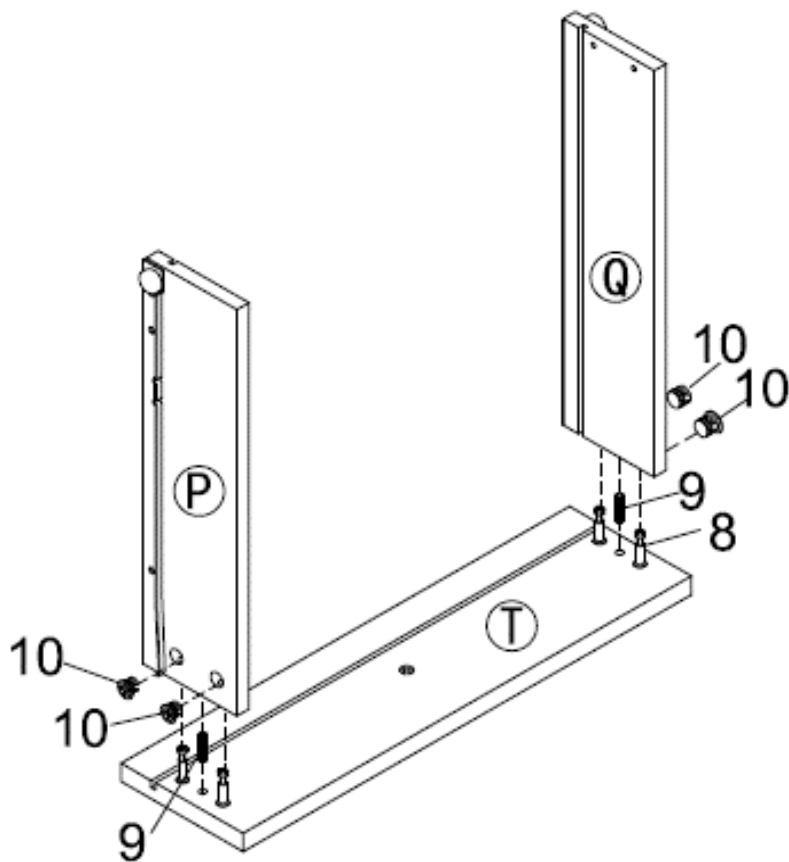
ÉTAPE 16

Insérez des petits boulons à came (8) et des petits goujons de bois (9) dans le devant tiroir central (T).

Insérez des petits verrouillages à came (10) dans les côtés gauche et droit du tiroir supérieur (P et Q).

Attachez les côtés gauche et droit du tiroir (P et Q) au devant tiroir central (T). Fixez les côtés du tiroir en tournant les petits verrouillages à came (10) 1/2 tour dans le sens des aiguilles d'une montre à l'aide d'un tournevis cruciforme (non compris).

Glissez le fond tiroir central (U) dans les rainures des côtés gauche et droit du tiroir (P et Q) et devant tiroir central (T).



8		4PCS
9		2PCS
10		4PCS

Alvar Commode 7 Tiroirs

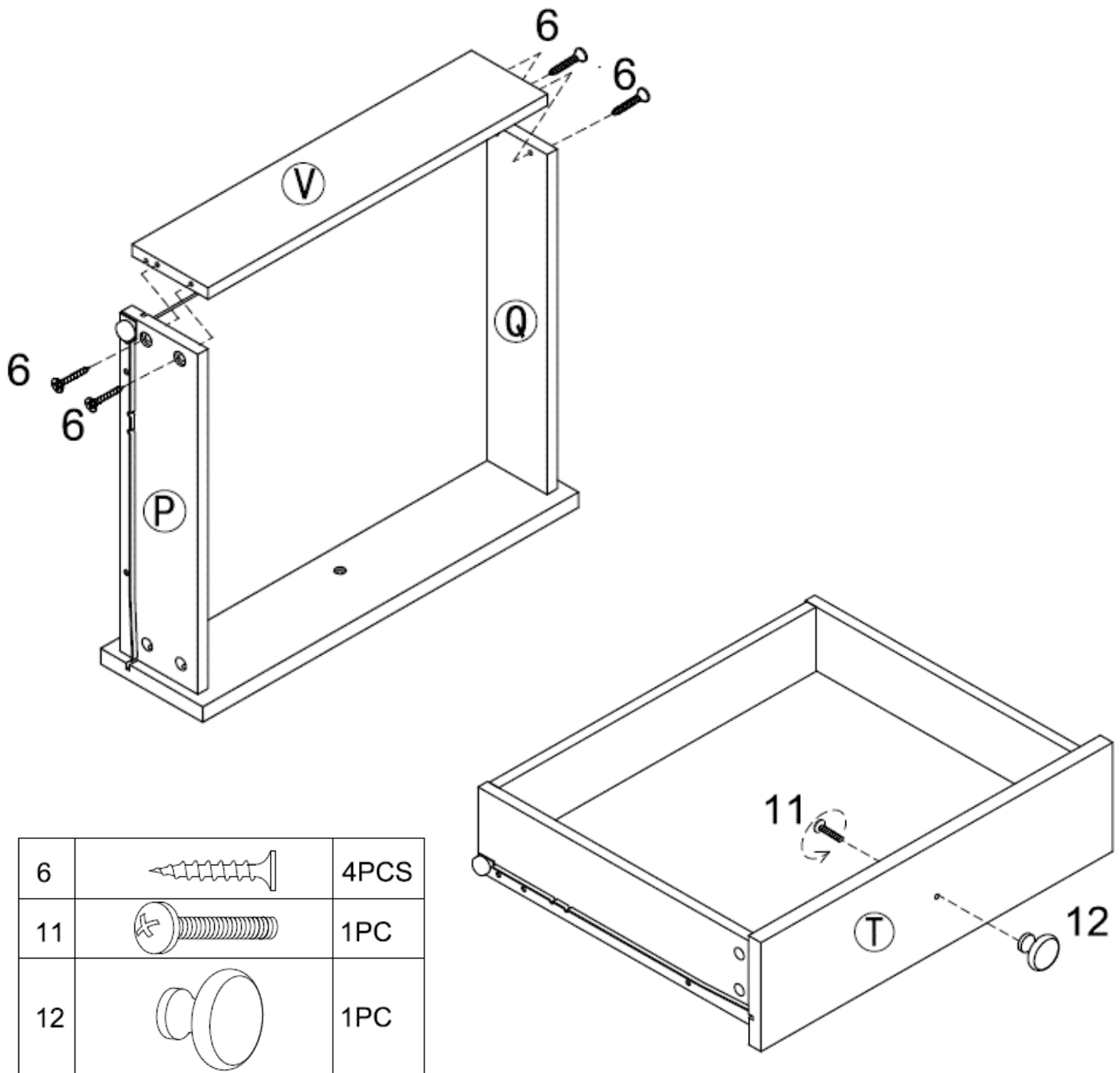
DA7325-1

ÉTAPE 17

Attachez le côté arrière tiroir central (V) aux côtés gauche et droit du tiroir supérieur (P et Q) avec des vis (6).

Servez-vous d'un tournevis cruciforme (non compris) pour serrer les vis.

Attachez le bouton (12) au devant tiroir central (T) avec un boulon (11). Servez-vous d'un tournevis cruciforme (non compris) pour serrer le boulon.



Alvar Commode 7 Tiroirs

DA7325-1

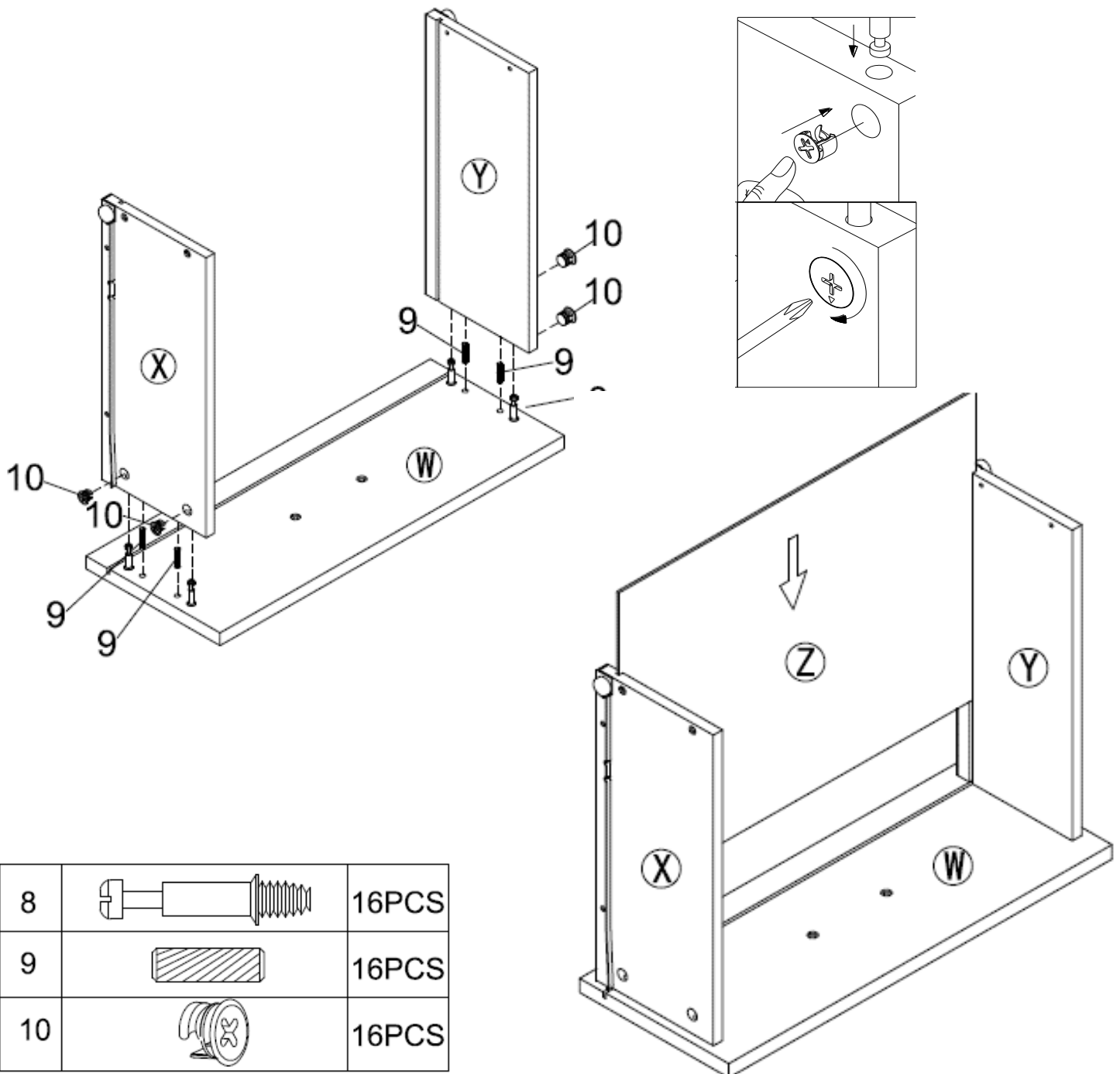
ÉTAPE 18

Insérez des petits boulons à came (8) et des petits goujons de bois (9) dans le devant grand tiroir (W).

Insérez des petits verrouillages à came (10) dans le côté gauche et droit grand tiroir (X et Y).

Attachez les côtés gauche et droit grand tiroir (X et Y) au devant grand tiroir (W). Fixez les côtés du tiroir en tournant les petits verrouillages à came (10) 1/2 tour dans le sens des aiguilles d'une montre à l'aide d'un tournevis cruciforme (non compris).

Glissez le fond grand tiroir (Z) dans les rainures des côté gauche et droit grand tiroir (X et Y) et devant grand tiroir (W).



Alvar Commode 7 Tiroirs

DA7325-1

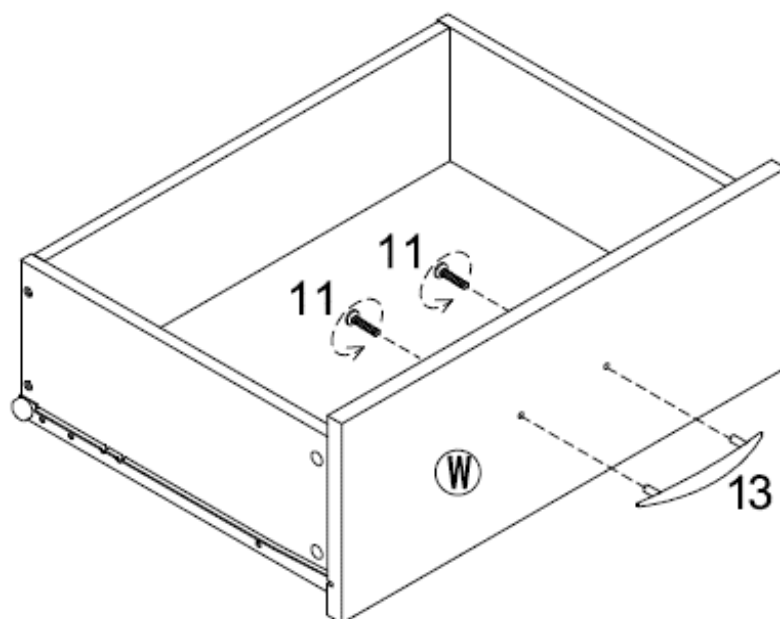
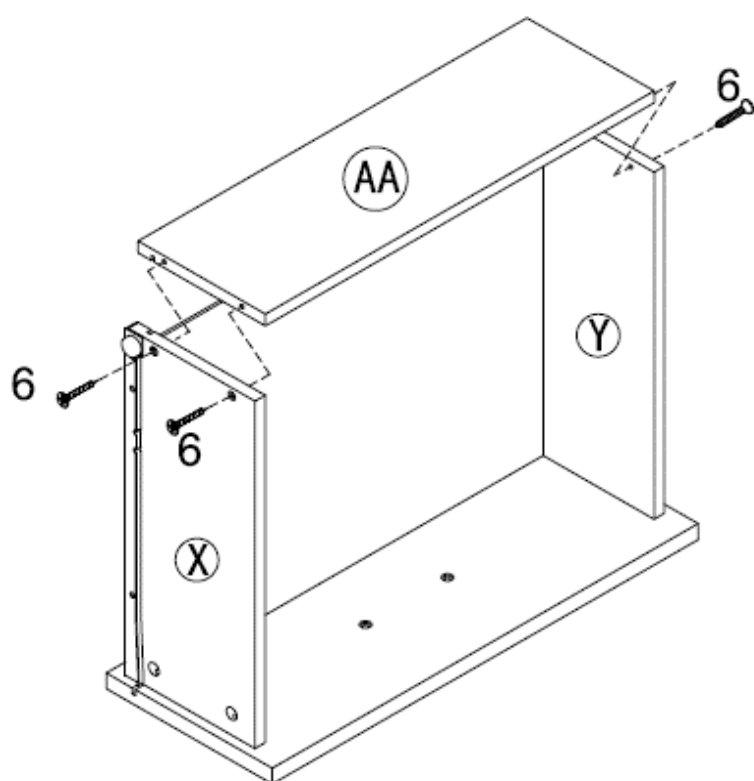
ÉTAPE 19

Attachez le côté arrière grand tiroir (AA) aux côtés gauche et droit grand tiroir (X et Y) avec des vis (6).

Servez-vous d'un tournevis cruciforme (non compris) pour serrer les vis.

Attachez le poignée (13) au devant grand tiroir (W) avec un boulon (11). Servez-vous d'un tournevis cruciforme (non compris) pour serrer le boulon.

Répétez les étapes 18 et 19 pour assembler l'autre petit tiroir.

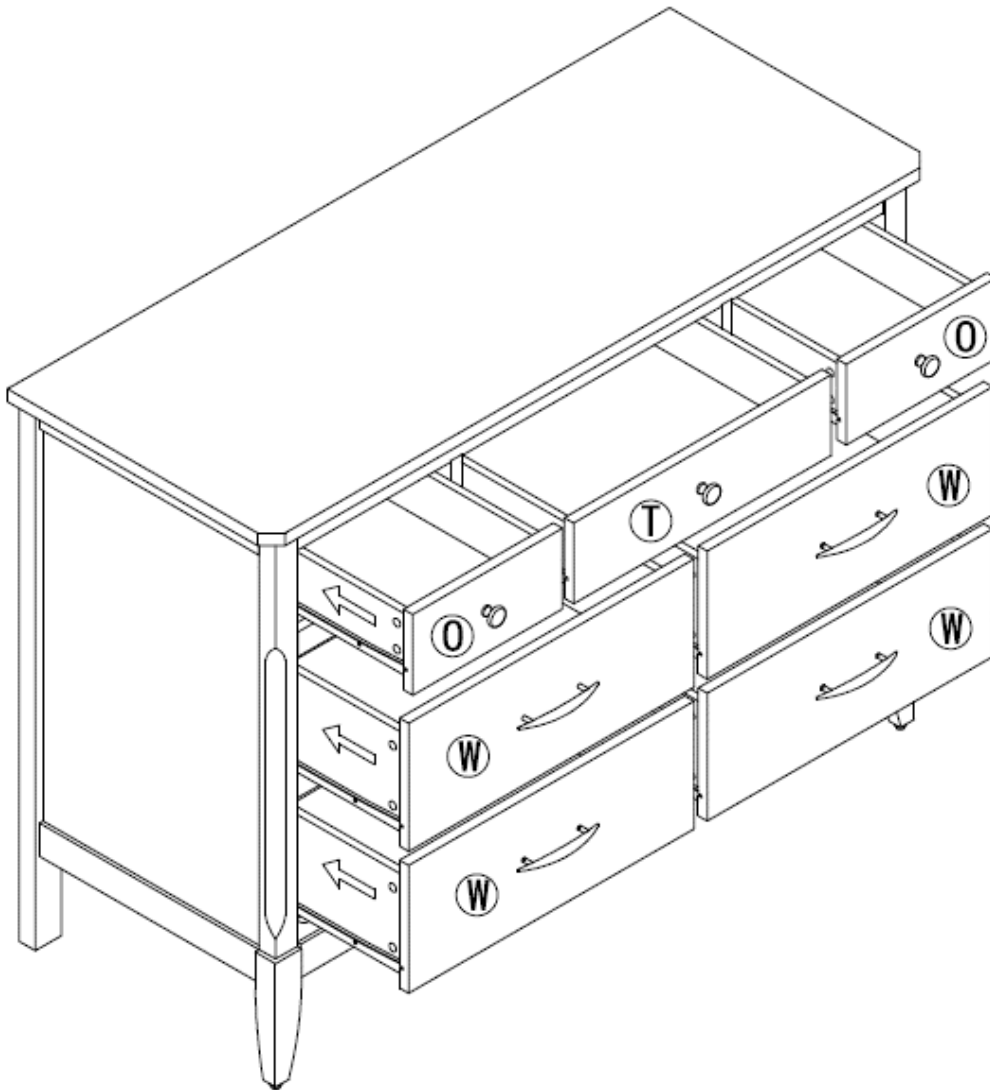


6		16PCS
11		8PCS
13		4PCS

Alvar Commode 7 Tiroirs DA7325-1

ÉTAPE 20

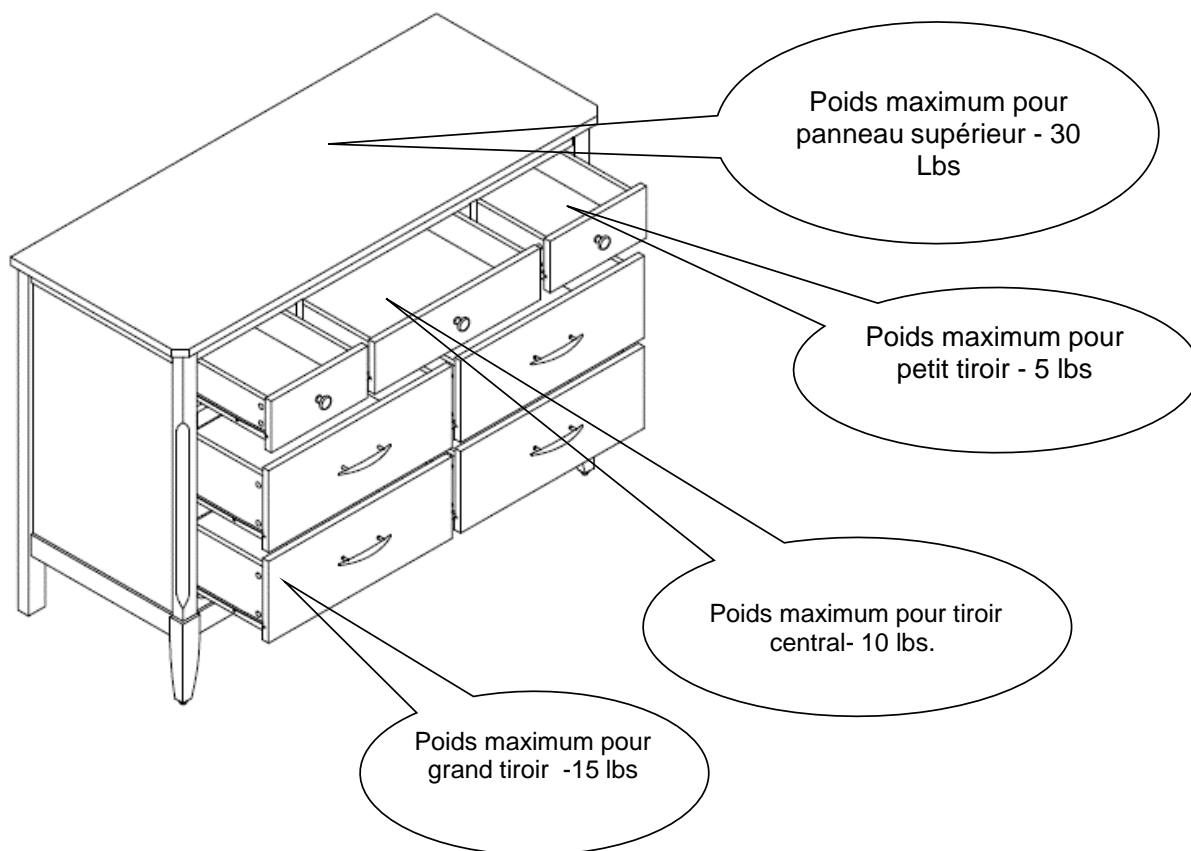
Insérez tous les tiroirs dans l'unité déjà assemblée comme illustré.



Alvar Commode 7 Tiroirs

DA7325-1

⚠ ATTENTION: Cette unité est conçue pour être utilisée seulement avec les produits et/ou les poids maximum indiqués. L'utilisation avec d'autres produits et/ou des produits plus lourds que les poids maximum indiqués peut entraîner de l'instabilité et causer des blessures.



Voilà! Vous avez terminé d'assembler votre Commode 7 Tiroirs .

NE PAS RETOURNER LE PRODUIT AU MAGASIN.
Si une pièce est manquante ou endommagée, contactez
notre Service à la clientèle. Nous remplacerons la pièce
GRATUITEMENT.



Tél #: 1-800-295-1980
Courriel: das@dorel.com
Télécopieur #: 514-353-7819

MODÈLE #: DA7325-1

Service à la Clientèle

S.V.P. NE PAS RETOURNER CE PRODUIT AU MAGASIN

S.V.P. CONTACTEZ NOS REPRÉSENTANTS DU SERVICE À LA CLIENTÈLE AUX NUMÉROS SUIVANTS SI VOUS AVEZ DES PIÈCES MANQUANTES OU DÉFECTUEUSES.

No. de téléphone du Service à la clientèle: 1-800-295-1980 Courriel: das@dorel.com
No. du télécopieur du Service à la clientèle: 514-353-7819

Date de la demande :

Nom :

Adresse de livraison :
Numéro & Rue :
Ville & Province :
Code Postal :

No. de téléphone (jour) :
(incluant le code régional)





Date & Nom du Magasin :

Description & quantité de pièce(s): S.V.P. ne pas oublier le numéro de modèle ou de SKU)

Adresse postale du Service à la clientèle :

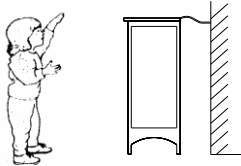
Département du Service à la clientèle No. 413, 12345, boul. Albert-Hudon, Suite 100, Montréal, QC, H1G 3L1

Sangle de sécurité pour ancrer le meuble au mur

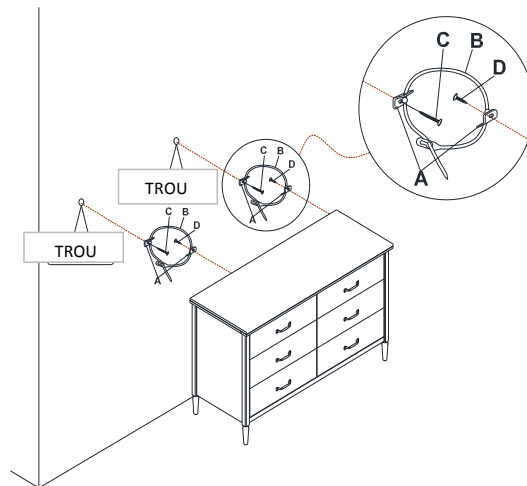
A 	B 	C 	D 
CROCHET DE MÉTAL 4 PCES	SANGLE DE SÉCURITÉ POUR LE MUR 2 PCES	VIS LONGUE 2 PCES	VIS COURTE 2 PCES

OUTILS NÉCESSAIRES: LE MAILLET EN CAOUTCHOUC ET LE TOURNEVIS PHILLIPS NE SONT PAS NOTE: LA MÈCHE DE 5/16" ET LA PERCEUSE ÉLECTRIQUE NE SONT PAS FOURNIES.

⚠ AVERTISSEMENT: LORSQUE DEBOUT, IL EST POSSIBLE QUE LE MEUBLE PUISSE BASCULER. VEUILLEZ INSTALLER LA SANGLE DE SÉCURITÉ POUR LE MUR DERRIÈRE LE MEUBLE POUR EN ASSURER DE LA SÉCURITÉ.



VEUILLEZ LIRE TOUTES LES INSTRUCTIONS AVEC ATTENTION AVANT D'UTILISER CE PRODUIT ET VEUILLEZ LES GARDER POUR RÉFÉRENCE FUTURE. SI VOUS AVEZ DES QUESTIONS, VEUILLEZ APPELER NOTRE NUMÉRO DE SERVICE AUX CLIENTS : 1-800-295-1980.



ÉTAPE 1: À L'AIDE DE LA VIS COURTE (D), FIXEZ FERMEMENT UN CROCHET DE MÉTAL (A) À LA BARRE TRANSVERSALE SUPÉRIEURE POSTÉRIEURE DU MEUBLE, À TRAVERS LE TROU LE PLUS PETIT.

ÉTAPE 2: À L'AIDE D'UN ANCRAGE, PLACEZ L'AUTRE CROCHET DE MÉTAL (A) SUR LE MUR 2 POUCES EN-DESSOUS DU CROCHET DÉJÀ FIXÉ À LA PARTIE POSTÉRIEURE DU MEUBLE. FIXEZ À L'ENCRAGE DU MUR À L'AIDE DE LA VIS LONGUE (C), À TRAVERS LE TROU LE PLUS PETIT.

ÉTAPE 3: PLACEZ LE MEUBLE DANS SA POSITION DE FAÇON À VOUS ASSURER QUE LES DEUX CROCHETS SOIENT ALIGNÉS VERTICALEMENT. LACEZ LE BOUT DE LA SANGLE DE SÉCURITÉ (B) À TRAVERS DU TROU LE PLUS GRAND DE CHAQUE CROCHET (A). RAMENEZ LES DEUX BOUTS ENSEMBLE ET GLISSEZ LE BOUT PLAT À TRAVERS L'EXTRÉMITÉ DE FIXATION JUSQU'À CE QU'ELLE SOIT BIEN SERRÉE.

ÉTAPE 4: ASSUREZ-VOUS QUE LA SANGLE SOIT BIEN LACÉE ET SERRÉE.

POUR DÉPLACER LE MEUBLE APRÈS AVOIR INSTALLÉ LA SANGLE AU MUR, SIMPLEMENT RETIREZ LA VIS (A) DU MUR POUR DESSERRER LE SANGLE DE SÛRETÉ.