

SANIFLO[®]

The original plumbing solution since 1958

EFFICIENCY

ACCESSIBILITY

SILENCE

EXPERIENCE

INNOVATIVE

EASY

RELIABLE



Install a bathroom ANYWHERE without any major construction

WHAT CAN YOU EXPECT FROM THIS CATALOG?

You can expect this catalog to be your first step in choosing a new bathroom addition. Saniflo offers you many options with no limitations! Our products give you the convenience of choosing **WHERE** you want to install your new bathroom. The next step with this catalog is to choose which product best suits your needs.

You will be able to select the right product for your application, and soon you will experience why millions of satisfied customers recognize Saniflo as a leading manufacturer of high quality innovative products and why Saniflo is the problem solver and the inventor of a variety of choices. You should only trust Saniflo with more than 54 years experience to add value and convenience to your home without any major construction.

EXTERNAL UNITS	PART #	POSSIBLE CONNECTIONS	PAGE #
SANITOP	017		5
SANIACCESS 3	082		6-7
SANIPLUS	002		8
SANIBEST Pro	013		9
SANIGRIND Pro	014		10
SANIPACK	011		11
PACKAGED GRINDING SYSTEMS	PART #	POSSIBLE CONNECTIONS	PAGE #
SANICUBIC 1	089		12-13
SANICUBIC 2	029		14-15
SELF-CONTAINED UNITS	PART #	POSSIBLE CONNECTIONS	PAGE #
SANICOMPACT	023		16
SANISTAR	012		17
GRAY WATER PUMPS	PART #	POSSIBLE CONNECTIONS	PAGE #
SANIVITE	008		18
SANISWIFT	021		19
SANISHOWER	010		20
CONDENSATE PUMP	PART #	POSSIBLE CONNECTIONS	PAGE #
SANICONDENS	040		21

If you have installation questions about our products or possible applications, please contact our technical department:
Toll Free: 1-800-571-8191

A HISTORY OF EXPERTISE

Established in Europe in 1958, Saniflo, with its innovative products quickly outgrew the European market. In the late 1990's, during another period of rapid growth, Saniflo expanded product lines beyond the traditional washroom fixture market.

Our achievements in North America are a credit to our history of quality and know how. We are the established problem solver for residential, commercial, industrial or government installations in some very interesting places. If you need another complete or half bath, we have a product which has passed the test of time to make your dreams a reality.

Saniflo's extraordinary success is directly linked to the company's revolutionary macerator system. With its invention and introduction, the Saniflo macerator made it possible to install toilets and complete bathrooms anywhere in a house or an apartment. Whereas conventional plumbing places limitations on where a toilet or bathroom can be located, with Saniflo there are no such limitations. Saniflo products make renovations easy and affordable because construction is greatly simplified. There are no walls to tear down or floors to rip up; therefore no costly construction is involved.

OPERATING PRINCIPLE OF THE SANIFLO SYSTEM



The toilet is flushed, the water level rises and the Saniflo grinder motor turns on automatically.



The finely ground particles are pumped through a standard pipe just 3/4 or 1 inch in diameter.

The blades driven by the motor grind the contents into tiny particles in 3 or 4 seconds.



The macerating tank is now empty (apart from the water seal) and the system is ready for use again.



Scan with your smart phone to watch a clip of the operating principle of the Saniflo system!

WHAT IS A MACERATOR?



To "macerate" is to soften and break in pieces. Our Saniflo macerating systems use a rotating cutting blade to liquefy human waste and toilet paper. When mixed with flushing water the waste is pumped into a sanitary sewer as a fine slurry.

SaniTop, SaniAccess3, SaniPlus, SaniPack, SaniCompact, SaniStar

WHAT IS A GRINDER?



The grinder will accept accidental flushing of sanitary items such as feminine hygiene products. It grinds up waste produced in your home (i.e. toilet use, shower, washing machine, etc.) and pumps it into the public sewer system.

SaniBest Pro, SaniGrind Pro, SaniCubic 1, SaniCubic 2

ALL YOU NEED IS A POWER SUPPLY AND WATER!

This is what many satisfied homeowners have said about Saniflo products

SANICUBIC 2

The Grand Master. Duplex technology makes the Sanicubic 2 a way to save thousands.

“Without the Sanicubic 2, I was looking at a huge bill to get my building’s plumbing system working again. I was able to use the plumbing again in a day with the Sanicubic 2. I was faced with excavation and re-plumbing to get my problem fixed. I saved more than \$20K! I have seven tenants in the building. You can imagine how relieved I am to have discovered the Sanicubic 2. Thank you!”

SANIBEST PRO

Sophistication. Heavy duty technology that stretches the limits of bathroom installations.

“We love our new downstairs bathroom. No more racing upstairs when you really gotta go! This is the best functioning toilet in the house. I selected the grinder technology because I have 2 teenage daughters and did not want any issues with an accidental flushing of a sanitary item. This works so well that I claimed this bathroom as mine.”

“I renovated my garage into living quarters for my mother who had moved in with us. I installed the Sanibest Pro for her apartment because the drainpipe was 18 feet overhead. I saved a lot of time and money. This could be the room I am most proud of in the entire renovation.”

SANIVITE

Multipurpose. Useful for everything including the kitchen sink.

“I couldn't be happier with the installation and operation of this product! Our main kitchen sink drain is under a concrete slab floor. When the old iron pipe collapsed (house built in 1963) we got repair quotes of \$2000-\$5000 to repair the old line. And they would have had to rip up 25 feet of my ceramic tile floor. So I invested in the Sanivite gray water pump. It works perfectly.”

SANITOP

Resourceful. A simple way to install a half bathroom.

“I checked all the different ways to put a toilet in the basement and they were all too

complicated. Everyone that has seen this has been very impressed. I was very glad that I took the advice a friend gave me. He has one and is very satisfied with it.”

“I purchased my home at a great price because it only had one bath. I knew from the time I was shown the home I would add a second bathroom upstairs quickly and easily with Saniflo. I could not be more pleased and when I sell my home, I have increased the value and marketability.”

SANIPLUS

The Establishment. The leader of all macerators. Renovations take a whole new level of flexibility.

“This addition is a wonderful convenience. We no longer have to go upstairs to use the bathroom. We originally thought we would use this bathroom as a backup because our house only has one other bathroom. This quickly changed when we experienced how convenient it is to not only have a second toilet in the house but also a second shower. We should have installed this complete bathroom long ago.”

“I always wanted an outdoor bathroom near our pool so the kids do not track water



into the house when they have to go.

It turns out my husband uses that bathroom the most. He loves to shower outside when he gets home from work. The Saniplus bathroom was a simple, quick and a great addition. Our backyard is the hit of the neighborhood. Thanks Saniflo.”

SANISWIFT

Brilliance.

“I have a small office without any kitchen facility. I always wondered why we could not have just a simple sink for a coffee area. The explanation was logical; it was just too expensive to add a drain. Fortunately a plumber recommended a Saniswift and he installed a sink with the Saniswift. We now have sink and a kitchen and everyone is happy.”

“The Saniswift? No brainer. As a professional plumber, I need to balance my customer's needs, their budget and quality. I have installed Saniswift units in laundry rooms, basement kitchens, outdoor utility sinks and would not to hesitate to use them anytime I need a pump.”

SANIGRIND PRO

Versatility. Based on the Sanibest Pro. Allows freedom of design.

“We used the Sanigrind Pro in our basement where there was no bathroom previously. We used a matching toilet, sink and shower to make this the nicest bathroom in our home!”

“My client wanted a very stylish, modern master bath added. Not only would I have to do major renovations upstairs, but also tear down the ceiling in the kitchen below. The Sanigrind Pro gives me all the design flexibility I needed. With the Sanigrind Pro, I built their dream bath, saving the homeowner thousands. I have used all of the Saniflo range of products in different projects, but when a designer look is required, the Sanigrind Pro allows me to install any brand of fixture in the new bathroom.”

SANIACCESS3

Accessibility. For those type of situations.

“We built a guest bathroom on the first floor using the Saniaccess3 macerator from Saniflo. Our plumber recommended this product as we have kids and we know the possibility of, who knows, a toy ending up on the other side of the toilet. This became a reality last week! My 3 year old daughter flushed a toy through the toilet. I thought that this was going to be a major job. Boy, was I wrong! It took me a couple of minutes to open the access cover and remove the toy. I connected the pump and everything was back to normal. Thank you Saniflo for thinking of us!”

SANICUBIC 1

Powerful simplex system.

“I've asked several contractors to provide me with a quote on converting my garage to a small apartment for my in-laws. Every single quote I received was over 15k since there was no existing plumbing going to the main house. Doing some research, I came upon the Sanicubic 1 from Saniflo. I spoke with one of their listed installers and finally, I received a reasonable number.”





White - Round Insulated toilet tank

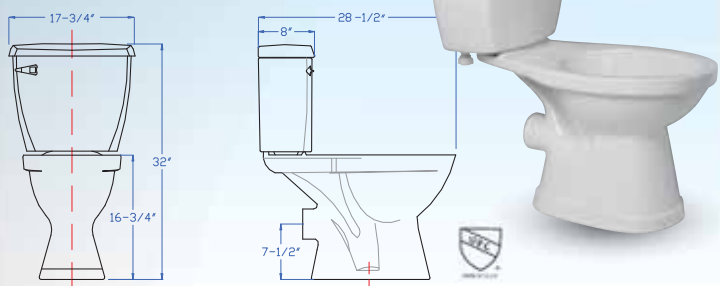
Toilet: Part # 003 Tank: Part # 005



1.28 gpf system available Spring 2012

White - Elongated* Insulated toilet tank

Toilet: Part # 007 Tank: Part # 005



1.28 gpf system available Spring 2012

* ADA compliant.

EXTENSION PIPE

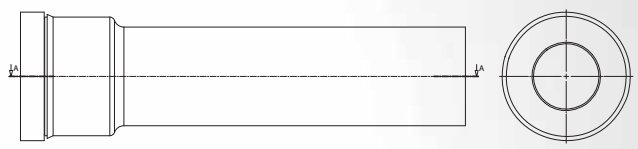
An 18" Saniflo extension pipe is available if installing the macerator unit behind a wall. When using the extension pipe, the toilet should be raised 3/8" for additional gravity flow toward the macerator.

DIMENSIONS:

Length:	18"
Diameter of pipe (smaller end):	4"
Diameter of bell housing (Large end):	5"



Part # 030



SANIFLO SANIALARM! – SECURITY FOR YOUR PEACE OF MIND.

The SaniAlarm has a level pressure switch that triggers an alarm fixed on the top of the unit if the volume of water exceeds the maximum allowed level. The alarm emits a continuous 80 dB warning sound until it is switched off or the problem is rectified.

Part # 050

The SaniAlarm is battery operated and can be installed on most Saniflo macerating units and gray water pumps. It has been designed to be installed on new or existing Saniflo installations as it is quickly fitted onto the lid of the Saniflo unit. **Note:** Saniflo recommends using a SaniAlarm for a behind the wall installation.



SUITS ALL SANIFLO PUMPS PROLONGS LIFE OF UNIT CLEAN & DISINFECTS

- Specifically created for use with Saniflo products
- Laboratory formulated with phosphoric acid
- Concentrated solution for optimum cleaning power
- Regular usage prolongs unit life and maintains efficiency
- Harmless to septic tank operation



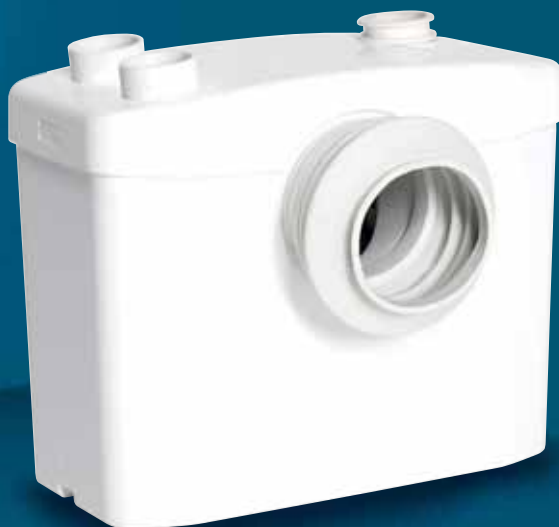
*Suitable for use with Saniplus, Sanibest Pro, Sanipack, Sanigrind Pro and Sanivite

SANITOP[®]

A half bathroom anywhere

The SANITOP is used to create an additional half bathroom. This unit offers a quiet macerating pumping system that's ideal to install a toilet with a sink.

- Build a half bathroom for residential applications
- Vertical pumping up to 12 ft. and 120 ft. horizontally
- Designed to work with our rear discharge toilet
- The smallest and quietest macerator on the market



Don't want to see a pump behind the toilet?

Check out our extension pipe on page 4

↑ 12 ft. ↑

↔ 120 ft. ↔

Dimensions: H 10 5/16" (26.5cm) x W 13" (33cm) x D 6 1/2" (16.5cm)

Power supply: 115 V - 60 Hz

Amperage: 5.0 A

HP: 0.3

Discharge: Vertically to 12 ft. (3.7m)
Horizontally to 120 ft. (36.6m)

Discharge rate at 12': 14 gal/min (53 liters/min)

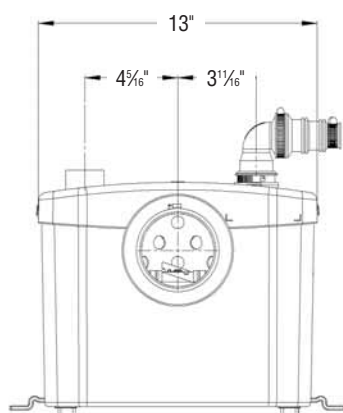
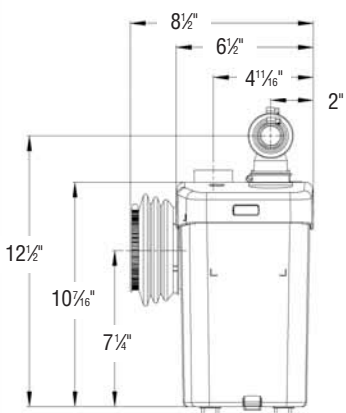
Discharge rate at 3': 21 gal/min (80 liters/min)

Discharge pipe diameter: 3/4"

Temperature: Maximum 104°F (40°C)



Part # 017



White - Round

Toilet: Part # 003
Tank: Part # 005



White - Elongated

Toilet: Part # 007
Tank: Part # 005



SANIACCESS 3

Accessibility is the answer

The SANIACCESS3 is used to install a complete bathroom. Two service panels atop the unit allows fast and easy access to internal components.

- Build a complete bathroom for residential applications
- Vertical pumping up to 15 ft. and 150 ft. horizontally
- Designed to work with our rear discharge toilet
- Service panels provide direct access to different segments of the macerating unit allowing easy inspection and servicing of all major components.
- Periodic maintenance can be accomplished quickly and easily without having to disconnect the unit from either the toilet or the rest of the plumbing system.
- Through one opening, a service contractor can access the electrical components as well as the level sensor mechanism of the pump.
- The second panel provides ready access to the basket area around the macerating blades for easy removal of any large objects that may have been accidentally flushed.



Saniflo's pre-assembled system includes all necessary hardware for any above-the-floor installation.

- 1 ¾" diameter discharge pipe
- 2 2" side inlets with built-in check valves
- 3 Easy access to blade system
- 4 Easy access to the micro switch
- 5 Easy access to diaphragm membrane
- 6 Easy access to starting capacitor

2011  Products of the Year



Part # 082

NEW

EASY ACCESS



Scan with your smart phone to watch a clip of the SaniAccess system!



Don't want to see a pump behind the toilet?

Check out our extension pipe on page 4

↑ 15 ft. ↑

↔ 150 ft. ↔

Dimensions: H 10³/₄" (27cm) x W 18³/₄" (47.5cm) x D 6³/₄" (17cm)

Power supply: 115 V – 60 Hz

Amperage: 4.5 A

HP: 0.5

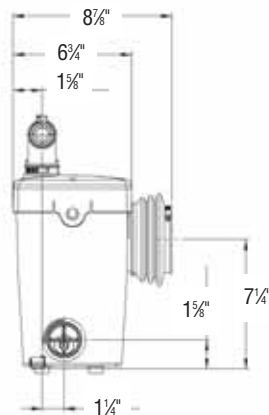
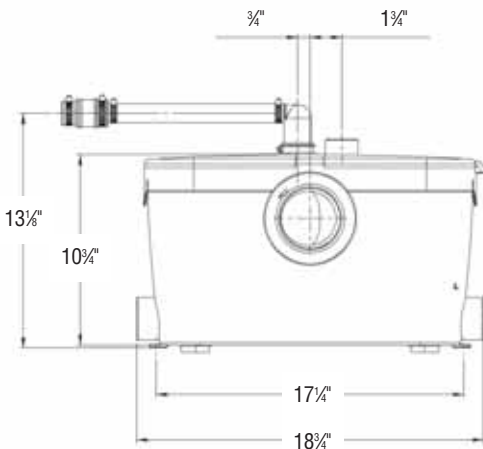
Discharge: Vertically to 15 ft. (4.6m)
Horizontally to 150 ft. (50m)

Discharge rate at 15': 17 gal/min (66 liters/min)

Discharge rate at 3': 27 gal/min (103 liters/min)

Discharge pipe diameter: 3/4"

Temperature: Maximum 104°F (40°C)



White - Round
Toilet: Part # 003
Tank: Part # 005



White - Elongated
Toilet: Part # 007
Tank: Part # 005



SANIPLUS®

A full bathroom easily



The SANIPLUS is used to install a complete bathroom. It offers a high level of styling that makes it the ideal centerpiece for a modern bathroom.

- Build a complete bathroom for residential applications
- Vertical pumping up to 15 ft. and 150 ft. horizontally
- Designed to work with our rear discharge toilet



Don't want to see a pump behind the toilet?

Check out our extension pipe on page 4

↑ 15 ft. ↑

↔ 150 ft. ↔



For more information on the Sanialarm, please check out the Accessories section on page 4.

Dimensions: H 10 $\frac{1}{2}$ " (27cm) x W 20" (51cm) x D 7" (17.5cm)

Power supply: 115 V - 60 Hz

Amperage: 4.5 A

HP: 0.5

Discharge: Vertically to 15 ft. (4.6m)
Horizontally to 150 ft. (50m)

Discharge rate at 15': 17 gal/min
(66 liters/min)

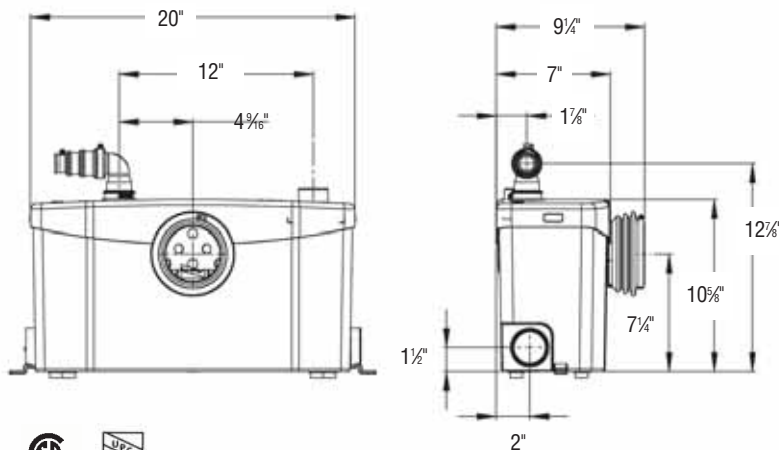
Discharge rate at 3': 27 gal/min
(103 liters/min)

Discharge pipe diameter: $\frac{3}{4}$ "

Temperature: Maximum 104°F (40°C)



Part # 002



White - Round

Toilet: Part # 003
Tank: Part # 005



White - Elongated

Toilet: Part # 007
Tank: Part # 005



SANIBEST[®]Pro

Full bathroom for demanding situations

SANIBEST PRO is ideal for situations where you do not control the use; such as a guest bathroom, rental unit or office building. It is designed to handle accidental flushing of sanitary items.

- Build a complete bathroom and more; for residential and commercial applications
- Vertical pumping up to 25 ft. and 150 ft. horizontally
- Designed to work with our rear discharge toilet



EXTERNAL UNITS



Dimensions: H 10½" (26.8cm) x W 20⅝" (52cm) x D 8" (20.5cm)

Power supply: 115 V - 60 Hz

Amperage: 9.0 A

HP: 1

Discharge: Vertically to 25 ft. (7.6m)
Horizontally to 150 ft. (50m)

Discharge rate at 25': 19 gal/min
(72 liters/min)

Discharge rate at 3': 38 gal/min
(145 liters/min)

Discharge pipe diameter: ¾"

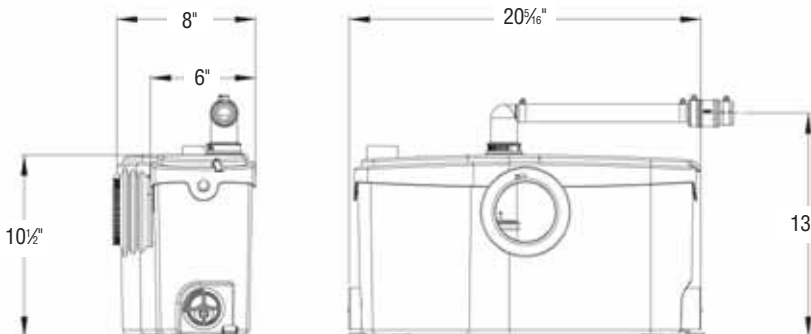
Temperature: Maximum 104°F (40°C)



Part # 013



For more information on the Sanialarm, please check out the Accessories section on page 4.



White - Round

Toilet: Part # 003
Tank: Part # 005



White - Elongated

Toilet: Part # 007
Tank: Part # 005



SANIGRIND^{Pro}

A solution for any standard toilet

The SANIGRIND Pro is a grinder unit that is designed work with a standard bottom outlet toilet.

- Build a complete bathroom and more; for residential and commercial applications
- Vertical pumping up to 25 ft. and 150 ft. horizontally
- Great for retrofitting applications. Designed to work with standard bottom outlet toilets not supplied by Saniflo
- Designed for heavy use, can occasionally accept disposal of sanitary items



↑ 25 ft. ↑

↔ 150 ft. ↔

Dimensions: H 10½" (26.8cm) x W 20⅝" (52cm) x D 8" (20.5cm)

Power supply: 115 V - 60 Hz

Amperage: 9.0 A

HP: 1

Discharge: Vertically to 25 ft. (7.6m)
Horizontally to 150 ft. (50m)

Discharge rate at 25': 19 gal/min
(72 liters/min)

Discharge rate at 3': 38 gal/min
(145 liters/min)

Discharge pipe diameter: ¾"

Temperature: Maximum 104°F (40°C)



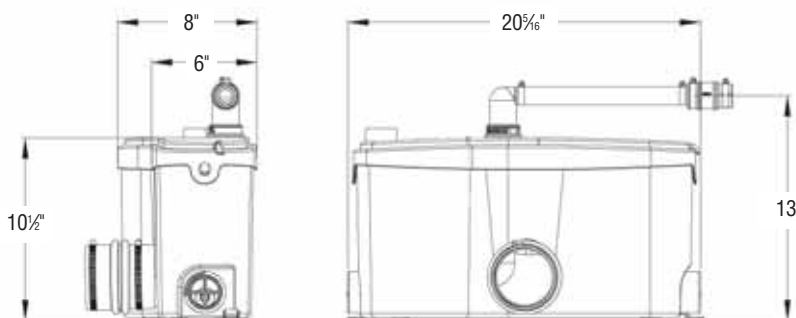
Part # 014



For more information on the Sanialarm, please check out the Accessories section on page 4.

PRODUCT DESCRIPTION

The beauty of the **SANIGRIND Pro** is that it allows up to three connections, so you can install a complete bathroom. The SANIGRIND Pro unit is installed on the floor, while the toilet, sink, and bath or shower must be installed on a raised platform. It can be connected to any bottom outlet toilet.



The **SANIGRIND Pro** can be installed in many locations such as a loft/attic, upper floor, ground floor, basement and even a garage. Whether you're finishing a basement, converting a garage or installing a bathroom in a master bedroom, SANIGRIND Pro is the answer.



SANIPACK®

A full bath with style

The depth of the SANIPACK enables the unit to be installed directly in the wall. This allows for easy installation of the fixtures with the SANIPACK hidden and out of the way.

- Designed to work with wall-hung systems not supplied by Saniflo
- Build a complete bathroom for residential applications
- Easy to conceal with versatile and quiet operation
- Vertical pumping up to 9 ft. and 100 ft. horizontally



↑ 9 ft. ↑

↔ 100 ft. ↔

Dimensions: H 11" (28cm) x W 16 3/4" (42.5cm) x D 4 3/4" (12cm)

Power supply: 115 V - 60 Hz

Amperage: 5.4 A

HP: 0.3

Discharge: Vertically to 9 ft. (3m)
Horizontally to 100 ft. (33m)

Discharge rate at 9': 13 gal/min (48 liters/min)

Discharge rate at 3': 17 gal/min (66 liters/min)

Discharge pipe diameter: 3/4"

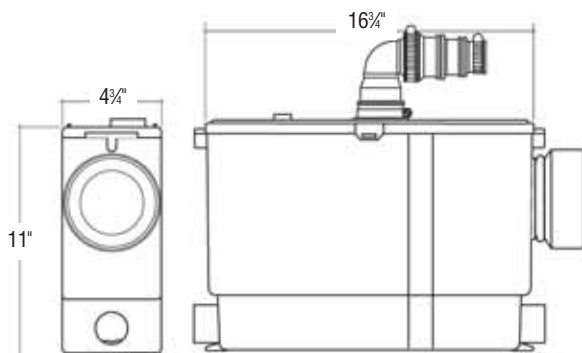
Temperature: Maximum 104°F (40°C)



Part # 011

PRODUCT DESCRIPTION

The **SANIPACK** is a unique product which allows you to install a wall hung toilet. It provides connections for both a sink and shower for an easy bathroom installation.



For more information on the Sanialarm, please check out the Accessories section on page 4.

The water supply, macerating pump and pipes are hidden inside the wall. This type of installation gives you the clean look of a European bathroom.

The **SANIPACK** can be installed in many locations such as a loft/attic, upper floor, ground floor, basement and even a garage.

SANICUBIC® 1

Above the floor simplex system

A simplex grinder system, fully pre-assembled with its unique above the floor installation.

- Handles multiple waste fixtures for residential and commercial applications
- Easy installation above the floor cutting down on additional expenses
- Alarm system provided for additional security
- 2-Year Warranty

PRODUCT DESCRIPTION

SANICUBIC 1® is a heavy duty grinder pump that meets the demanding needs of commercial and residential sewage applications. The one horsepower grinder system is made of stainless steel and liquefies solids prior to being passed through the 1 1/2" discharge. It's designed to handle multiple waste fixtures.

THE NO-HASSLE REPLACEMENT

The Sanicubic 1 can be retrofitted into an existing sewage ejector basin of at least 24" in diameter for a quick and easy pump exchange. Separate yet enclosed access to the Sanicubic 1 motor through the top of the unit, allows for mess-free maintenance and accessibility, without decreasing the life span of the pump by leaving it exposed in a corrosive environment. As a "plug and play" device, no chains or floats are needed."



Dimensions: H 13 3/4" (35cm) x W 18" (46cm) x D 16 3/4" (42.6cm)

Motor: A powerful 1 HP grinder pump

Power supply: 115 Volts - 60 Hz Single phase operation

Amperage: 6.0 A

HP: 1 HP

Discharge: Vertically to 36 ft. (11m) and/or Horizontally to 328 ft. (100m)

Discharge rate at 36': 26 gal/min (98 liters/min)

Discharge rate at 3': 50 gal/min (189 liters/min)

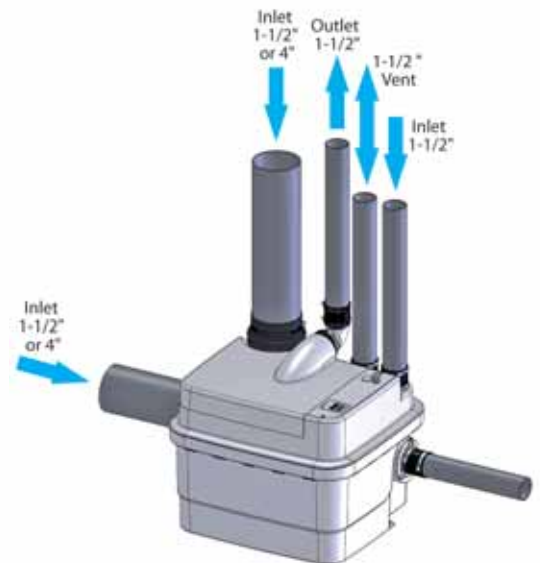
Discharge pipe diameter: 1 1/2"

Temperature: Maximum 158°F (70°C)



↑ 36 ft. ↑

↔ 328 ft. ↔



Part # 089



New grinding technology eliminates clogging issues found on sewage ejector stations as it can handle feminine hygiene products.

1 CONTROL PANEL

Visual mounted alarm, wired audible alarm, LED power control and overload indicator

2 MOTOR

A powerful 1 HP grinder pump

3 INLET - UP TO 4 INLETS

3 inlets - 1½" or 4" 1 inlet - 1½" (coupling provided)

4 DISCHARGE

1½" with check valve built inside

5 VENT

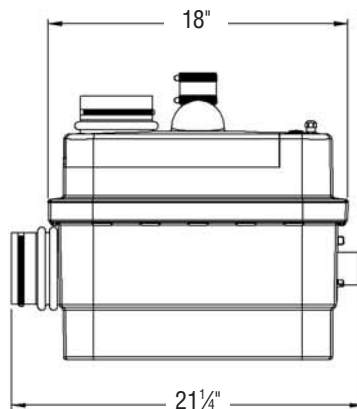
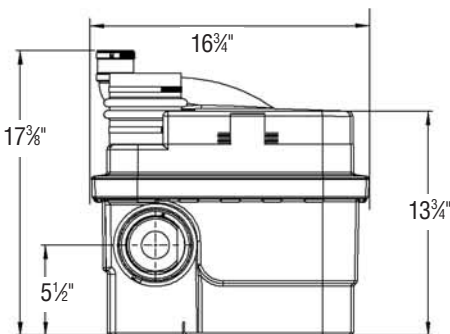
1½"

6 DIMENSIONS

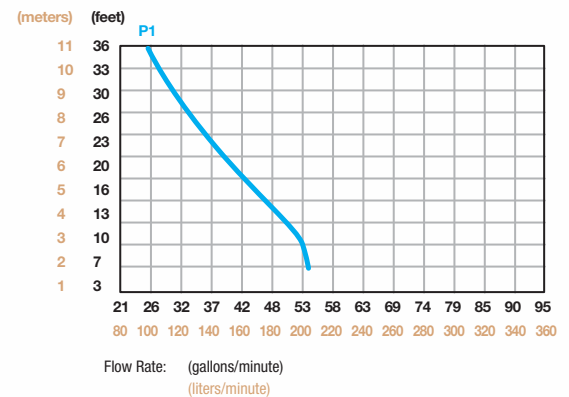
H 13 ¾" (35cm) x W 18" (46cm) x D 16 ¾" (42.6cm)

BENEFITS OF THE SANICUBIC 1

- Sanicubic 1 can handle up to 50 gallons per minute from several fixtures
- Powerful motor for absolute reliability and efficiency
- Visual LED alarm mounted on the unit (wired audible alarm included with the system)
- Easy installation above the floor
- Accepts accidental flushing of sanitary items, such as feminine hygiene products.



Performance Curve



SANICUBIC® 2

Above the floor duplex system

The ultimate duplex grinder system, fully pre-assembled with its unique above the floor installation.

- Handles multiple waste fixtures for residential and commercial applications
- Easy installation above the floor cutting down on additional expenses
- Alarm system mounted on unit for additional security
- 2-Year Warranty

PRODUCT DESCRIPTION

SANICUBIC 2® is a pre-assembled heavy duty grinder pump that meets the demanding needs of commercial and residential sewage applications. The dual grinder system is made of stainless steel and liquefies solids prior to being passed through the 1½" discharge. It's designed to handle multiple waste fixtures for applications such as residential single or group homes, commercial buildings, schools and much more.

Please turn to page 23 to read about a recent press release on an installation of this type of application.



Dimensions: H 16½" (42cm) x W 23¾" (60cm) x D 19¼" (49cm)

Motor: Two powerful 1 HP grinder pumps

Power supply: 220/240 Volts - 60 Hz Single phase operation

Amperage: 13.0 A

HP: 1 HP per motor

Discharge: Vertically to 36 ft. (11m) and/or Horizontally to 328 ft. (100m)

Discharge rate at 36': 38 gal/min (144 liters/min)**

Discharge rate at 3': 90 gal/min (341 liters/min)**

Discharge pipe diameter: 1½"

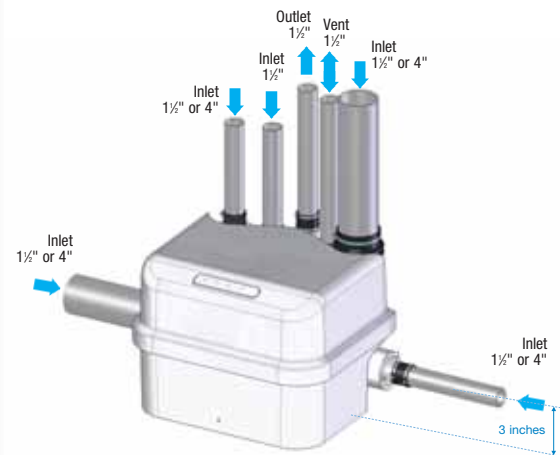
Temperature: Maximum 158°F (70°C)

**Both motors in operation

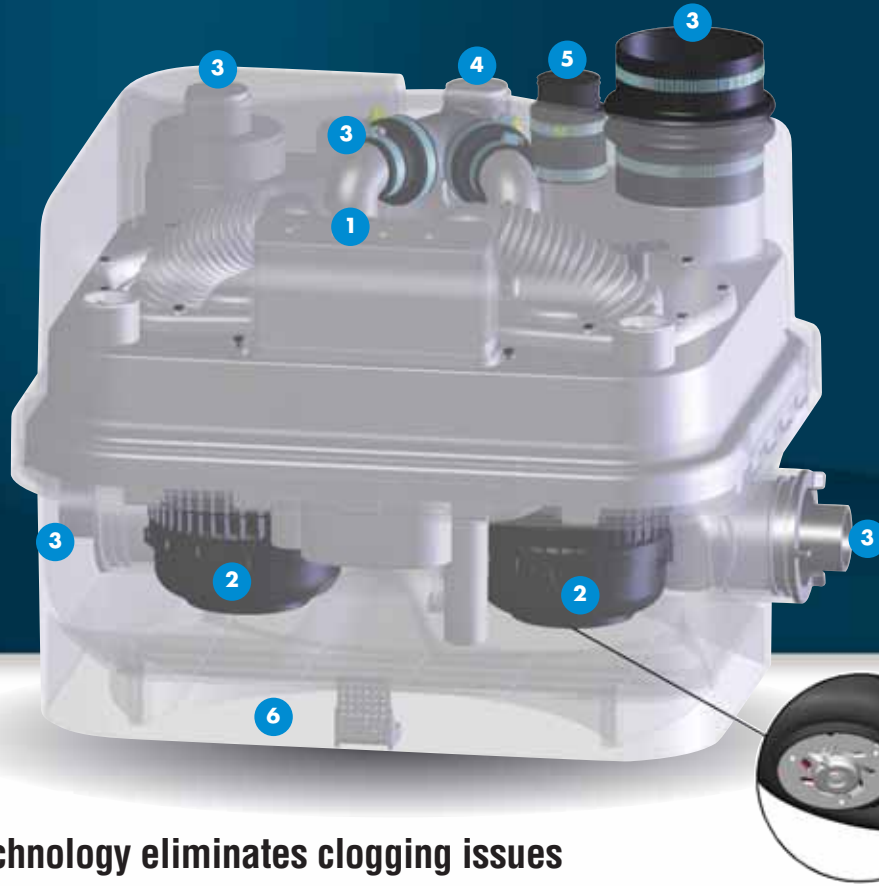


↑ 36 ft. ↑

↔ 328 ft. ↔



Part # 029



New grinding technology eliminates clogging issues found on sewage ejector stations as it can handle feminine hygiene products.

1 CONTROL PANEL

Visual and audible mounted alarm, provisions for external wired alarm, LED power control and overload indicator

2 MOTORS

Two powerful grinder pumps of 1 HP each

3 INLET - UP TO 5 INLETS

4 inlets - 1½" or 4" 1 inlet - 1½" (coupling provided)

4 DISCHARGE

1½" with check valves built inside

5 VENT

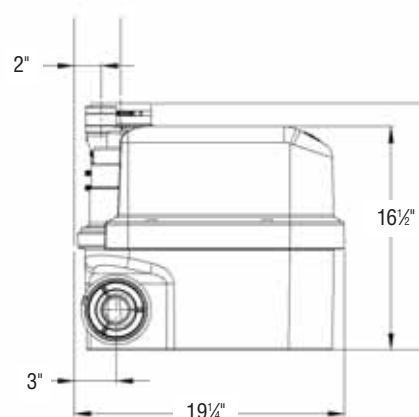
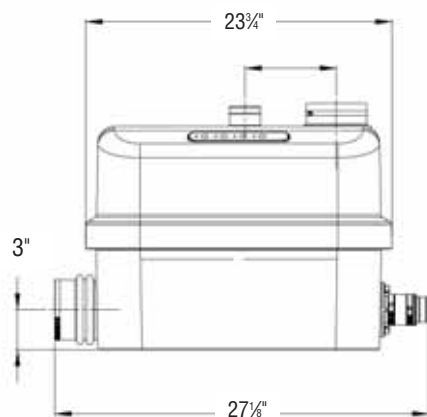
1½"

6 DIMENSIONS

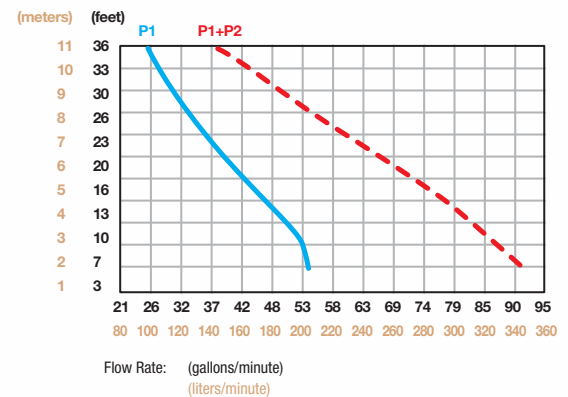
H 16½" x W 23¾" x D 19¼"

BENEFITS OF THE SANICUBIC 2

- Sanicubic 2 can handle up to 90 gallons per minute from several fixtures
- Dual motor for absolute reliability and power
- Visual LED and audible alarm mounted on the unit (provision for a remote wired alarm to be installed)
- Easy installation above the floor
- Accepts accidental flushing of sanitary items, such as feminine hygiene products.



Performance Curve



SANICOMPACT®

The green solution



The SANICOMPACT is a self-contained toilet that's ideal for tight spots where conventional toilets can't fit

- Build a half bathroom for residential applications
- Vertical pumping up to 9 ft. and 100 ft. horizontally
- SANICOMPACT allows the connection of a sink
- Standard dual flush version uses 1.28 gpf (4.8 lpf) and 1 gpf (3.8 lpf)
- Stylish toilet seat with chrome hinges included



↑ 9 ft. ↑

↔ 100 ft. ↔

Dimensions: H 18¼" (46cm) x W 14¼" (36cm) x D 19½" (50cm)

Dimensions include: Complete unit

Power supply: 115 V - 60 Hz

Amperage: 7.2 A

HP: 0.3

Discharge: Vertically to 9 ft. (3m)
Horizontally to 100 ft. (33m)

Discharge rate at 9': 13 gal/min (49 liters/min)

Discharge rate at 3': 16 gal/min (61 liters/min)

Discharge pipe diameter: 1"

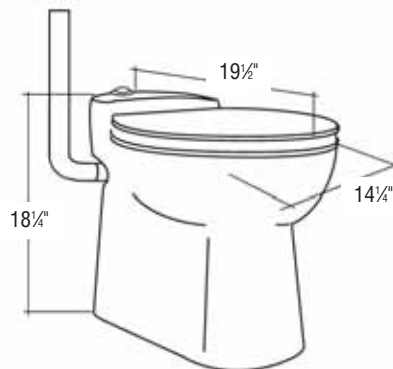
Temperature: Maximum 95°F (35°C)



Part # 023

PRODUCT DESCRIPTION

This modern shaped self-contained macerating toilet is very water efficient, using just one gallon of water per flush. It was designed with several purposes in mind such as limited space, green conscious users that want to save water, and for people with physical limitations requiring easy access to a toilet.



The **SANICOMPACT** can be installed in many locations such as a loft/attic, upper floor, ground floor, basement and even a garage. The **SANICOMPACT** is very easy to install in areas such as under the stairway for a half bathroom or an additional half bathroom in a bedroom or garage conversion.



SANISTAR®

A wall hung toilet with Saniflo inside

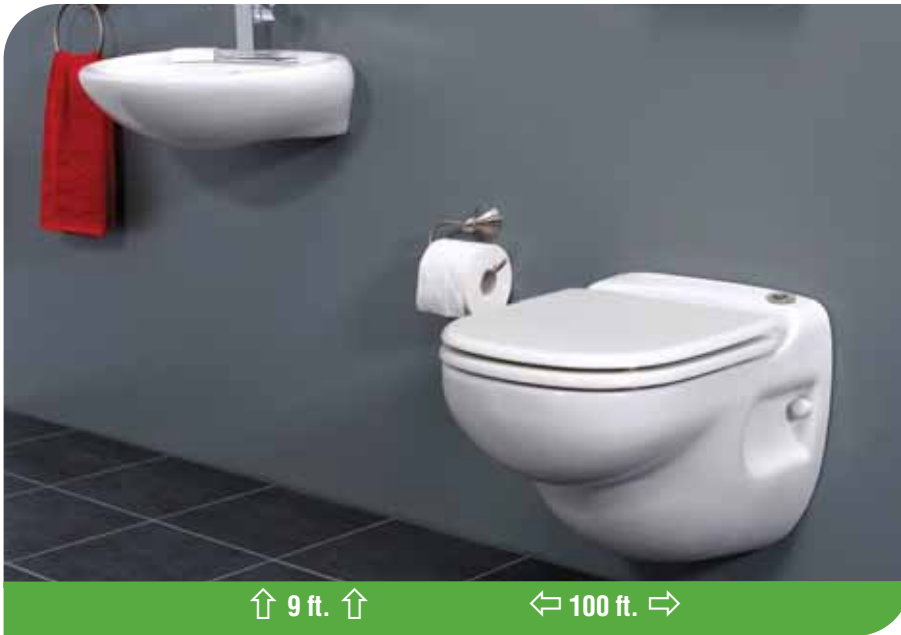
DUAL
FLUSH



SELF-CONTAINED UNITS

The **SANISTAR** is a wall-hung system offering a great image and a significantly improved level of hygiene. This unit operates silently and is easy to install.

- Build a half bathroom for residential applications
- Vertical pumping up to 9 ft. and 100 ft. horizontally
- Wall mounted toilet with built in macerator/pump. (Includes the wall carrier for mounting) Gives a European style appearance
- Standard dual flush version uses 1.28 gpf (4.8 lpf) and 1 gpf (3.8 lpf)
- Stylish toilet seat with chrome hinges included



Dimensions: H 16 $\frac{3}{4}$ " (42cm) x W 15 $\frac{1}{2}$ " (40cm) x D 20 $\frac{1}{2}$ " (52cm)

Dimensions include: Complete unit

Power supply: 115 V - 60 Hz

Amperage: 9.0 A

HP: 0.4

Discharge: Vertically to 9 ft. (3m)
Horizontally to 100 ft. (33m)

Discharge rate at 9': 9 gal/min (34 liters/min)

Discharge rate at 3': 15 gal/min (58 liters/min)

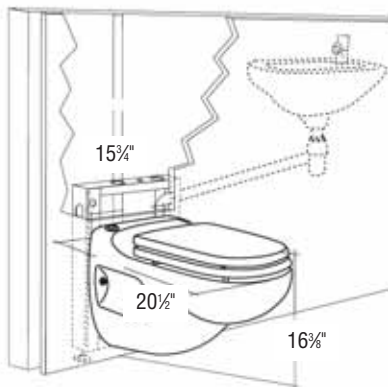
Discharge pipe diameter: 1"

Temperature: Maximum 95°F (35°C)



PRODUCT DESCRIPTION

This modern shaped self-contained macerating toilet is easy to install and is similar to the popular European wall-hung toilets. The **SANISTAR** saves space and can be hung on any sturdy wall. It comes complete with a wall bracket system that can be placed against a wall or if used in new construction, built into the wall.



The **SANISTAR** is a green product that only uses one gallon of water per flush. A sink can also be connected.

The **SANISTAR** can be installed in many locations such as a loft/attic, upper floor, ground floor, basement and even a garage.

SANIVITE®

Powerful and versatile gray water pump

The SANIVITE is the perfect quiet solution to install a kitchen or sink on the ground level or in the basement.

- Discharges 18 gallons per minute
- Vertical pumping up to 16 ft. and 150 ft. horizontally
- Ideal for heavy-duty applications
- Small enough to fit inside a kitchen cabinet with the capability to handle hot water and grease buildup.
- Multiple inlets for various installations



↑ 16 ft. ↑

↔ 150 ft. ↔

Dimensions: H 10 $\frac{1}{8}$ " (26cm) x W 14 $\frac{1}{8}$ " (37cm) x D 7 $\frac{1}{4}$ " (18.5cm)

Power supply: 115 V - 60 Hz

Amperage: 4.5 A

HP: 0.4

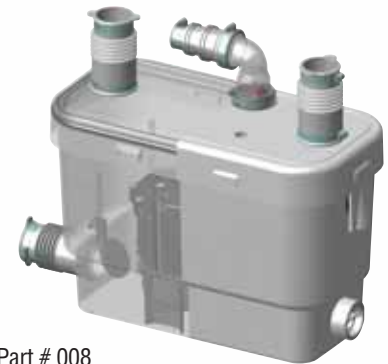
Discharge: Vertically to 16 ft. (5m)
Horizontally to 150 ft. (50m)

Discharge rate at 16': 18 gal/min (68 liters/min)

Discharge rate at 3': 29 gal/min (110 liters/min)

Discharge pipe diameter: 1"

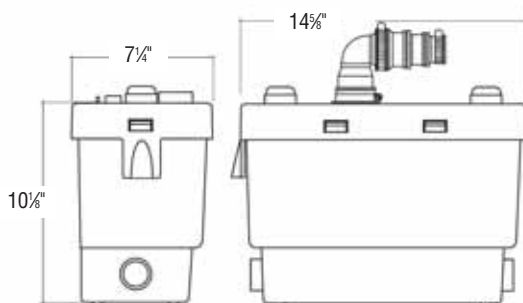
Temperature: Maximum 140°F (60°C)



Part # 008

PRODUCT DESCRIPTION

The **SANIVITE** is a gray water pump ideally suitable for use in small foot print kitchen. It is small enough to fit comfortably inside a kitchen cabinet or vanity. It will pump waste water away from a variety of sources, such as a kitchen sink, laundry sink even a dishwasher or washing machine (indirect via a laundry tub only).



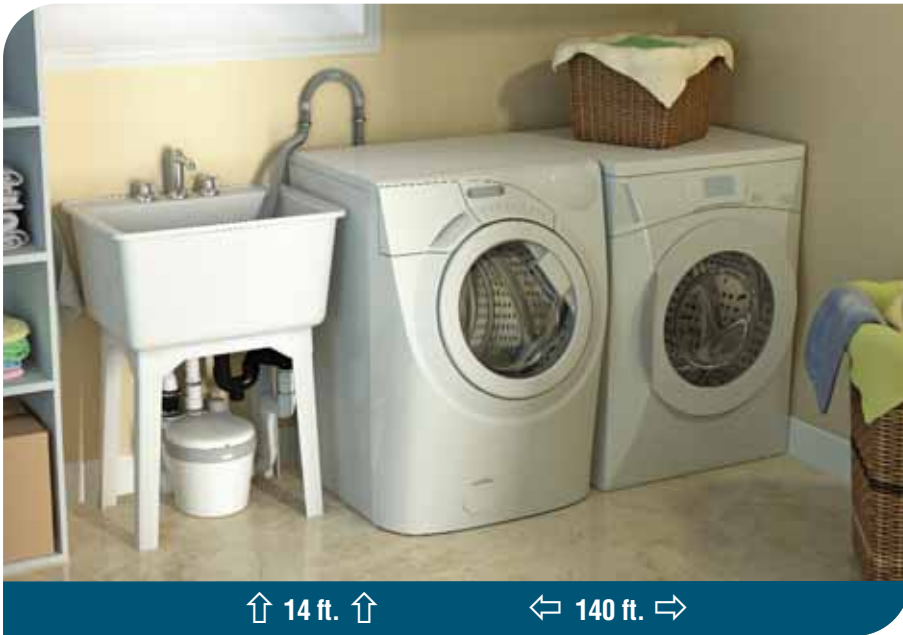
The **SANIVITE** can be installed in many locations such as a loft/attic, upper floor, ground floor, basement and even a garage. Whether you're remodeling a kitchen, installing a sink in the basement or building a covered outdoor kitchen, **SANIVITE** will get the job done.

SANISWIFT®

Compact economical gray water pump

Saniswift's modern style prevails over other bulky relics. With unprecedented performance and features, this pump is unmatched in its class. The SANISWIFT can handle multiple fixtures to solve the most difficult installations. Saniswift sets the standard as the ultimate gray water pump.

- Vertical pumping up to 14 ft. and 140 ft. horizontally
- Ideal for residential applications
- Powerful and economical pump with multiple inlets for various installations



Dimensions: H 8¾" (22cm) x W 9" (23cm)
x D 10¼" (26cm)

Power supply: 115 V - 60 Hz

Amperage: 4.5 A

HP: 0.3

Discharge: Vertically to 14 ft. (4.3m)
Horizontally to 140 ft. (43m)

Discharge rate at 14': 18 gal/min (70 liters/min)

Discharge rate at 3': 24 gal/min (89 liters/min)

Discharge pipe diameter: 1"

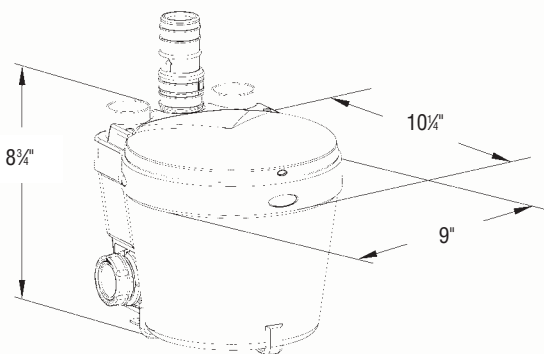
Temperature: Maximum 140°F (60°C)



Part # 021

PRODUCT DESCRIPTION

The **SANISWIFT** is a powerful unit with a compact design. It offers three inlets for various installations such as a washing machine (indirect only), sink or even a shower.



The **SANISWIFT** can be installed in many locations such as a loft/attic, upper floor, ground floor, and even a basement.

The compact design makes it perfect for installations in a basement, laundry room, or even a converted garage.

SANISHOWER®

Imagine your new shower anywhere

The SANISHOWER allows you to install a shower where you never thought possible. It gives you a fast and easy way to add an additional sink or shower to your home.

- Discharges 14 gallons per minute
- Vertical pumping up to 12 ft. and 100 ft. horizontally
- Easy to install and small enough to fit under a shower base. Ideal for mid-ranged applications



↑ 12 ft. ↑

↔ 100 ft. ↔

Dimensions: H 5¼" (15cm) x W 11½" (29.5cm) x D 6⅝" (16cm)

Motor: Induction

Power supply: 115 V - 60 Hz

Amperage: 5.5 A

HP: 0.2

Discharge: Vertically to 12 ft. (3.7m)
Horizontally to 100 ft. (33m)

Discharge rate at 12': 14 gal/min
(50 liters/min)

Discharge rate at 3': 20 gal/min (77 liters/min)

Discharge pipe diameter: ¾"

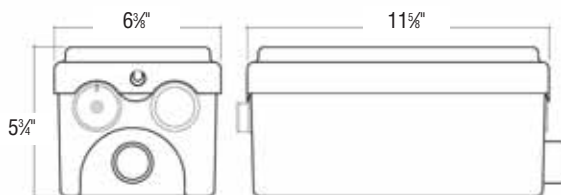
Temperature: Maximum 104°F (40°C)



Part # 010

PRODUCT DESCRIPTION

The **SANISHOWER** is a small gray water pump that may be used to pump waste water away from a shower or sink. The **SANISHOWER** is small enough to fit inside a wet bar cabinet, or even beside or underneath a raised shower base. It has two inlets for installing a shower or sink.



The **SANISHOWER** can be installed in many locations such as a loft/attic, upper floor, ground floor, basement and even a converted garage. This product is ideal for installing a shower and/or sink in a bedroom or basement or even under a bar sink.

SANICONDENS[®]

Pumps away condensate

SANICONDENS pumps condensate away from condensing boilers and air conditioners.

- Pumps the discharge from a condensing boiler or other water producing fixture to a drain
- Small, powerful pumping unit that can be floor or wall mounted
- Comes with an auxiliary external overflow switch that will shut down the appliance or alert the consumer in the event of pump overflow
- Includes hardware kit; 20 ft of vinyl tubing, inlet adapter, discharge adapter for ease of installation.



↑ 15 ft. ↑

↔ 150 ft. ↔

Dimensions: H 6 $\frac{1}{2}$ " (17cm) x W 9 $\frac{1}{2}$ " (24.2cm) x D 5 $\frac{1}{2}$ " (14.3cm)

Amperage: 1.5 A

HP: 1/30 HP

Discharge: Vertically to 15 ft. (4.6m)
Horizontally to 150 ft. (50m)

Discharge rate at 15': 30 gal/hour
(114 liters/hour)

Discharge rate at 3': 86 gal/hour
(326 liters/hour)

Discharge pipe diameter: $\frac{3}{8}$ " vinyl tubing

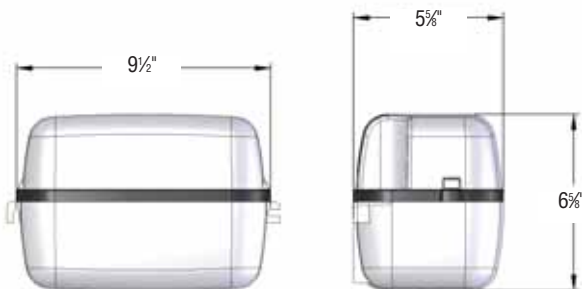
Operating Temperature: 95°F (35°C)
Maximum 160°F (70°C)



Part # 040

PRODUCT DESCRIPTION

Condensate water from condensing boilers, HVAC systems and water heater systems has the potential to cause property damage or even create health hazards that can affect indoor air quality. Many times, the condensate is not able to drain through gravity to an existing drain line. This is the reason a condensate pump is essential to many residential and commercial applications.



The **SANICONDENS** is one of the most powerful pumps on the market with standard features that no competitor can match.

A standard safety switch, an incorporated check valve, and its distinctive design makes the **SANICONDENS** the logical choice for removal of condensate from air conditioners and high-efficiency gas furnaces.



WHAT DOES SANIFLO OFFER YOU?

PRODUCT LINE TO MEET ALL NEEDS

Saniflo produces a full line of macerating units and gray water pumps for an unlimited number of residential and commercial applications.

Our line of macerating units include external models, which can be placed either behind the toilet or inside the wall and self-contained models, which are toilets with the pump grinding system built into the toilet. For a complete line of products, please visit our website at www.saniflo.com.

SIMPLE AND EASY INSTALLATION

Saniflo's macerating units and gray water pumps are the ideal solution for installing a new bathroom or fixture by simplifying construction without the long hours of labor. Saniflo makes it simple!

We will counsel you on which product is best for you and direct you to a distributor in your area. Saniflo is the easy solution for all bathroom installations.

BEST QUALITY IN THE MARKET

Our macerating units and gray water pumps meet all new standards in North America (ASME A112.3.4 and CSA B45.9) and internationally (EN 12050-3 and EN 12050-2) and our factories conform to ISO 9001 version 2000.

Our products are recognized throughout North America and are approved by major plumbing codes.

RELIABLE SERVICE

Saniflo has distributors throughout the United States and Canada along with service agents that can help answer any questions about installation or maintenance on your Saniflo product.

Technicians are available for any technical advice, installation questions and issues concerning our products. Please call (800) 571-8191.

MAINTENANCE FREE

The motor of Saniflo's macerating units have no gears or brushes to wear out. It is filled with oil and sealed at our factory which provides a maintenance-free product.

ADDITIONAL REASONS

- More than 7 Million units sold worldwide
- Fully Certified and meets national codes
- International Plumbing Code (IPC) listed
- Uniform Plumbing Code (UPC) listed
- National Standard Plumbing Code (NSPC) listed
- CSA Certified - CSA Listed
- International Association of Plumbing and Mechanical Code (IAPMO) listed
- Check valves are incorporated
- Handles feminine products (SaniBest Pro, SaniGrind Pro, SaniCubic 1 and SaniCubic 2)
- From 9-36 feet pumping height
- Pumps vertically and horizontally
- Full range of models to suit your specific needs
- 2-Year Warranty

THE COST EFFECTIVE SOLUTION

Saniflo offers high quality, low cost and superior installation flexibility. Saniflo macerating systems are a very economical way to increase the value of any home with the addition of a toilet, complete bathroom or even a laundry room anywhere.

You now have all the information you need to install a bathroom, kitchen or laundry room anywhere you want without any major construction.

On the next page, you can read a press release about one of our Saniflo products and its installation.

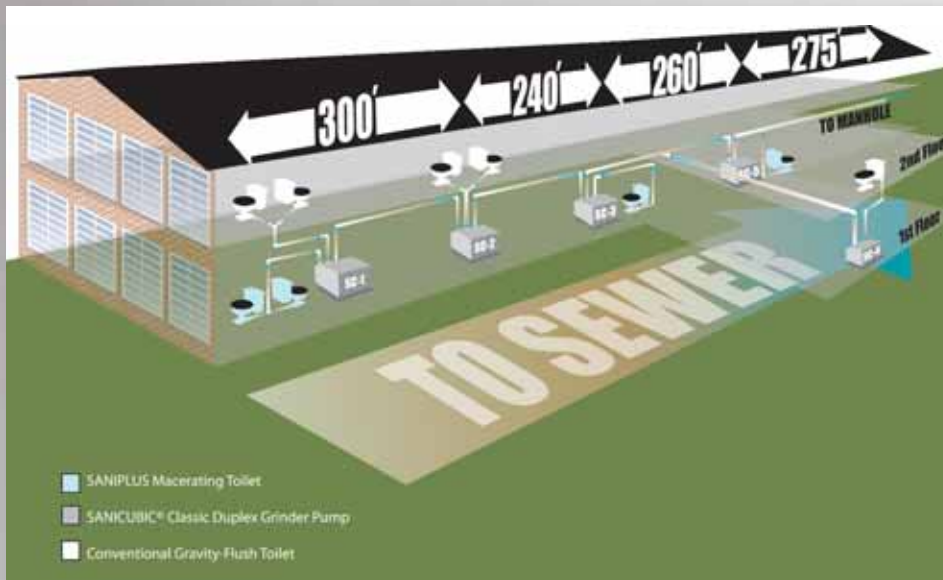
If you have any installation questions about our products or possible applications, please contact our technical department:

Toll Free: 1-800-571-8191



Saniflo Delivers and Solves a Major Polluting Problem by Mattabesset River in Connecticut

A sprawling commercial complex in Connecticut has held an important place in the state's economic history since 1897. The cutting-edge manufacturing hub and center of heavy industry meant technological advancement and jobs. But over the decades, the work took an environmental toll on the area, contaminating the surrounding soil and groundwater while also polluting the nearby Mattabesset River.



THE PROBLEM:

The building was a disaster when the city took it over, says the Director of Planning, Conservation and Development. The property was never tied into the sanitary sewer system. When it was built in 1890, the plumbing was designed to flow into the nearby river. When the project began, the city began looking for a way to solve the plumbing problem. The sewer lines were 15 to 20 feet in the ground. Making matters worse, contamination was found nearly

everywhere, so digging to install new sewer lines and plumbing wasn't an option either. There was still a further challenge: The building is 950 feet long — more than three football fields — so engineers had to develop a solution for pumping sewage across this expanse plus another 100 feet or so beyond its walls to the sewer main.

THE SOLUTION:

The result was the installation of five Sanicubic duplex grinder systems, positioned at intervals along the entire length of the building. Each would pump effluent up through small-diameter pipe into the main, positioned near the ceiling, and out to the sewer. The five Sanicubic duplex grinders handle waste water from all 12 plumbing fixtures in the building's two long floors: five toilets, two urinals, four sinks, and a shower.

The five Sanicubic units sit on the ground floor, pumping the combined effluent from the 12 fixtures more than 1,000 feet to the city sewer. If there had been no contamination around the building, it might have made sense to install new drainage pipe, but it still would not be the best solution because you don't want the maintenance of a septic system the rest of your life. The Sanicubic technology was the best choice.



FAQ'S MACERATING TOILETS AND GRAY WATER PUMPS

What is a macerator?

To "macerate" is to soften, to break in pieces. Our macerating systems use a rotating cutting blade to liquefy human waste and toilet paper. When mixed with flushing water the waste is pumped into a sanitary sewer as a fine slurry.

Where can I use macerating systems?

These systems can be used anywhere extra sanitary facilities are needed or wanted. Extra bathrooms can be installed in basements, cottages, hotels, motels, etc.

Is Saniflo expensive?

The greatly reduced labor costs and the incredible flexibility makes Saniflo an economical and viable alternative when gravity flow systems cannot be installed.

Can I also install a shower or bathtub?

When installing a bathtub a platform of 2 x 8 inch is needed to allow for the installation of a P-Trap and pipe with some gravity flow towards the macerating unit.

Do I need to break up the floor to install the macerating system?

No, Saniflo can easily be installed on top of any finished floor, which totally eliminates the need to dig up a floor as present methods using a sump and sewage ejector pump requires. Additionally, there is no need to leave an accessible space, as is the case with an in-floor sump system.

Where is the waste discharged?

The waste is pumped into a sewer system, septic tank or holding tank by means of a proper waste pipe system that complies with applicable codes.

Can I discharge the waste by means of upward slopes?

The best method to install a discharge pipe is to rise vertically at the unit as high as necessary and from that point slope down at a fall of ¼ inch per linear foot to the point of discharge.

Can a washing machine be discharged into the Saniplus?

Our Saniswift, Sanivite, Sanibest Pro, Sanigrind Pro and Sanigrind Pro, Sanicubic 1 and Sanicubic 2 units are designed for this type of application. The washing machine must be drained into a laundry tub or sink first if using any of these units.

Can I discharge a kitchen sink into a macerating system?

No, the greases and larger food particles associated with kitchen sinks would clog the smaller diameter pipe and create a problem eventually. The Sanivite and Saniswift are designed for this purpose.

Do I need to install a P-Trap in vanities, bathtubs, and showers?

Yes, even though macerating systems have built-in mechanical traps most plumbing codes require a regular P-Trap to be installed. It is also necessary to prevent odors and sewer gases from escaping into the room.

Will I void the warranty, if I install the system myself?

No, but since proper building plumbing and electrical codes must be followed, we suggest that the system is installed by a trade professional.

Can the warranty be voided?

Yes, when any foreign objects are found in the macerating unit that has to be retrieved by a plumbing or service person. Also, by pouring automotive anti-freeze, solvents, paints, etc., into the system, or by opening the motor or pump of the macerating unit.

Do macerating systems, gray water pumps and fixtures need to be vented?

All macerators and gray water pumps have been designed with a vent connection on the lid. All plumbing codes require connection to a vent system. Please note that the vent system should be a two-way air vent. The use of mechanical vents, air admittance valves or similar devices are not permitted as these are considered one-way vent systems. The Sanicompact and Sanistar units are "forced mains" and they do not need to be vented.

How much water does the system use?

All models in the Saniflo line are low consumption type water closets. The Sanitop/Saniplus/Saniaccess3/Sanibest Pro uses 1.28 gallons (4.8 liters) of water per flush. The Sanistar and the Sanicompact48 are dual flush systems as they use 1.28 gpf (4.8 lpf) and 1 gpf (3.8 lpf). This compares very favorably with older style water closets that may use up to 3.5 gallons (30 liters) of water per flush.

What is the discharge capacity?

Depending upon the discharge installation, the Saniplus/Sanibest Pro/Saniaccess3 can pump up to 27 gallons per minute and the Sanivite can pump up to 18 gallons per minute. The Sanicompact/Sanistar cannot pump more than 1.28 gallons at a time as it is an electrically timed system.

What are the new features of the Saniaccess3?

Two service panels provide direct access to different segments of the macerating unit, allowing easy inspection and servicing of all major components. Through one opening, one can access the electrical components such as the level sensor mechanism of the pump. The second panel provides ready access to the macerating blades for easy removal of large objects.

How long will macerating systems last?

A national recognized laboratory tested the Saniplus system for 50,000 cycles, e.g. flushed 10 x a day = 3650 x a year = 13.69 years lifetime. As this is a standard test, it was stopped after 50,000 cycles; therefore the Saniplus may last much longer.

Should I winterize the system?

When installed in areas that are prone to freezing, all parts need to be properly drained, e.g. the macerating unit, the discharge piping, the tank, the supply pipe etc. Alternatively, plumbers anti freeze may be poured into the system until the macerating systems start up.

Does the system need maintenance?

No, the motor is filled with oil and sealed for life.

Where can we purchase parts?

Parts can be purchased through our Technical Department by calling toll free 800-571-8191 and from our website at www.saniflo.com

What warranty is provided by Saniflo?

The pump units have a 2-year warranty while the porcelain (toilet bowl and tank) have a 1-year warranty from date of purchase.

What are the upgrades on the new Sanibest Pro and Sanigrind Pro?

The basics were kept the same for these two models. The motor for both systems was upgraded to a 1 HP motor – 25% more power than the previous generation. Another unique advantage is the removable service panel on the top of the macerator which provides direct access to the main pump components.

Does Saniflo offer other toilet designs?

We offer toilets with elongated bowls for greater comfort. These toilets are also ADA compliant and measure 16¾ inches in height.



Distance Up Distance Long Pipe Size Max. Temp.

EXTERNAL UNITS

SANITOP	✓	✓							12' (3.7m)	120' (37m)	¾" (20mm)	104°F (40°C)
SANIACCESS³	✓	✓	✓	✓					15' (4.6m)	150' (50m)	¾" (20mm)	104°F (40°C)
SANIPLUS	✓	✓	✓	✓					15' (4.6m)	150' (50m)	¾" (20mm)	104°F (40°C)
SANIBEST Pro	✓	✓	✓	✓	✓		✓		25' (7.62m)	150' (50m)	¾" (20mm)	104°F (40°C)
SANIGRIND Pro	✓	✓	✓	✓	✓		✓		25' (7.62m)	150' (50m)	¾" (20mm)	104°F (40°C)
SANIPACK	✓	✓	✓						9' (3m)	100' (33m)	¾" (20mm)	104°F (40°C)

PACKAGED GRINDING SYSTEMS

SANICUBIC¹	✓	✓	✓	✓	✓	✓	✓		36' (11m)	328' (100m)	1½" (38mm)	158°F (70°C)
SANICUBIC²	✓	✓	✓	✓	✓	✓	✓		36' (11m)	328' (100m)	1½" (38mm)	158°F (70°C)




SELF-CONTAINED UNITS

SANICOMPACT	✓	✓							9' (3m)	100' (33m)	1" (25mm)	95°F (35°C)
SANISTAR	✓	✓							9' (3m)	100' (33m)	1" (25mm)	95°F (35°C)

GRAY WATER PUMPS

SANIVITE		✓	✓	✓	✓	✓	✓		16' (5m)	150' (50m)	1" (25mm)	140°F (60°C)
SANISWIFT		✓	✓		✓	✓	✓		14' (4.3m)	140' (43m)	1" (25mm)	140°F (60°C)
SANISHOWER		✓	✓				✓		12' (3.7m)	100' (33m)	¾" (20mm)	104°F (40°C)

CONDENSATE PUMP






SANICONDENS	This unit can be used for HVAC applications - boilers, air conditioners, etc.										15' (4.6m)	150' (50m)	¾" (10mm)	160°F (70°C)
--------------------	-------------------------------------------------------------------------------	--	--	--	--	--	--	-------------------------------------------------------------------------------------	--------------------------------------------------------------------------------------	---------------------------------------------------------------------------------------	---------------	---------------	--------------	-----------------

SOME POSSIBLE SITUATIONS WHERE OUR SYSTEMS CAN BE INSTALLED:

LOFT/ATTIC | UPPER FLOOR | GROUND FLOOR | BASEMENT | GARAGE | CABINS
 POOL HOUSE | SLAB CONSTRUCTIONS | ALL OUR PRODUCTS ARE CSA CERTIFIED

With 54 years of experience and knowledge helping people around the world, Saniflo is the company you can trust. Our reputation in providing high quality products, has been put to the test more than 7 million times in some of the world's most recognized buildings. We pledge that same quality for your home.



 **Groupe SFA International**, France
 **SANIFLO AB**, Sweden
 **SANIFLO**, England
 **SFA**, Poland
 **SFA**, Russia

 **SFA SANIBROY**, Germany
 **SFA BENELUX BV**, Holland
 **SFA SANIRISH**, Ireland
 **SFA SANIFLO INC.**, USA
 **SFA SANIFLO INC.**, Canada
 **SFA SANITRIT**, Italy

 **SFA GRUPO**, Spain
 **SFA**, Portugal
 **SFA SANIFLO SRL**, Romania
 **SANIFLO**, Austria
 **SFA SANIBROY**, Czech Republic
 **SFA Sanibroy**, Switerland

 **SANIFLO**, New Zeland
 **SANIFLO**, Australia
 **SFA Sanihydro**, Turkey
 **SFA**, Japan
 **SFA**, China

SANIFLO[®]
A Group SFA Company

U.S. -105 Newfield Avenue, Suite B, Edison, NJ 08837

Toll Free: 1-800-571-8191

www.saniflo.com

Copyright 2011 SFA SANIFLO, Inc. All rights reserved

JAW-1211