

ASSEMBLY INSTRUCTION

DESCRIPTION Table

Thank you for purchasing this quality product. Be sure to check all packing material carefully for small parts which may have some loose inside the carton during shipment. Identify and count all parts and compare with the parts List Below:

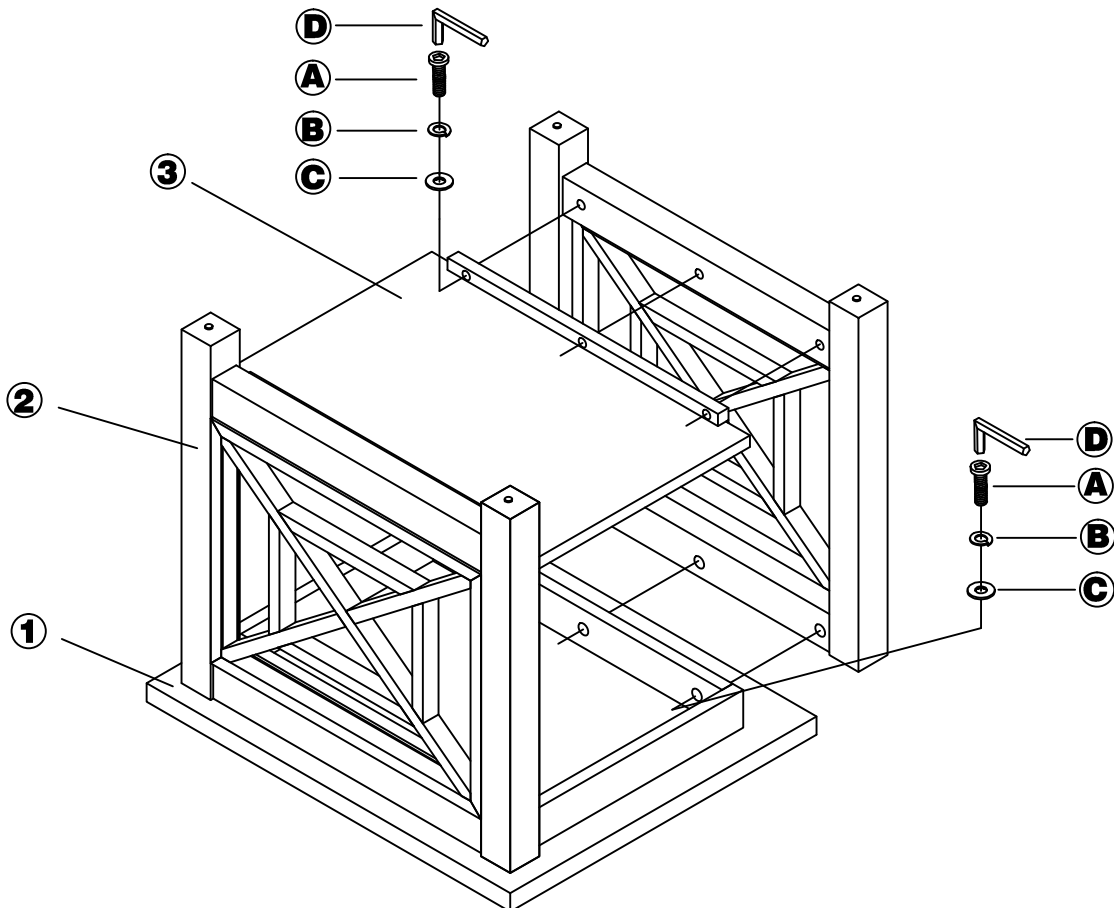


HARDWARE LIST

NO.	SKETCH	HARDWARE	QTY
A		Bolt 1/4" x 1-1/2"	12 pcs
B		Spring Washer	12 pcs
C		Flat Washer	12 pcs
D		Allen Key 4mm	1 pc

PARTS LIST (IF NEEDED)

NO.	SKETCH	PART	QTY
①		Top	1 pc
②		Side Frame	2 pcs
③		Bottom Shelf	1 pc



NOTE: DO NOT TIGHTEN ALL THE BOLTS UNTIL THEY ARE INSTALLED IN CORRESPONDING HOLES!