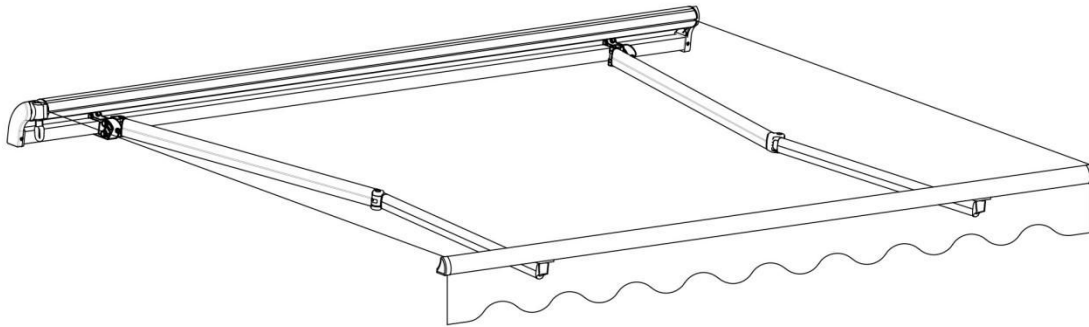




www.AlekoProducts.com

# ALEKO® Victoria Series Retractable Awning Instructions for Installation and Operation



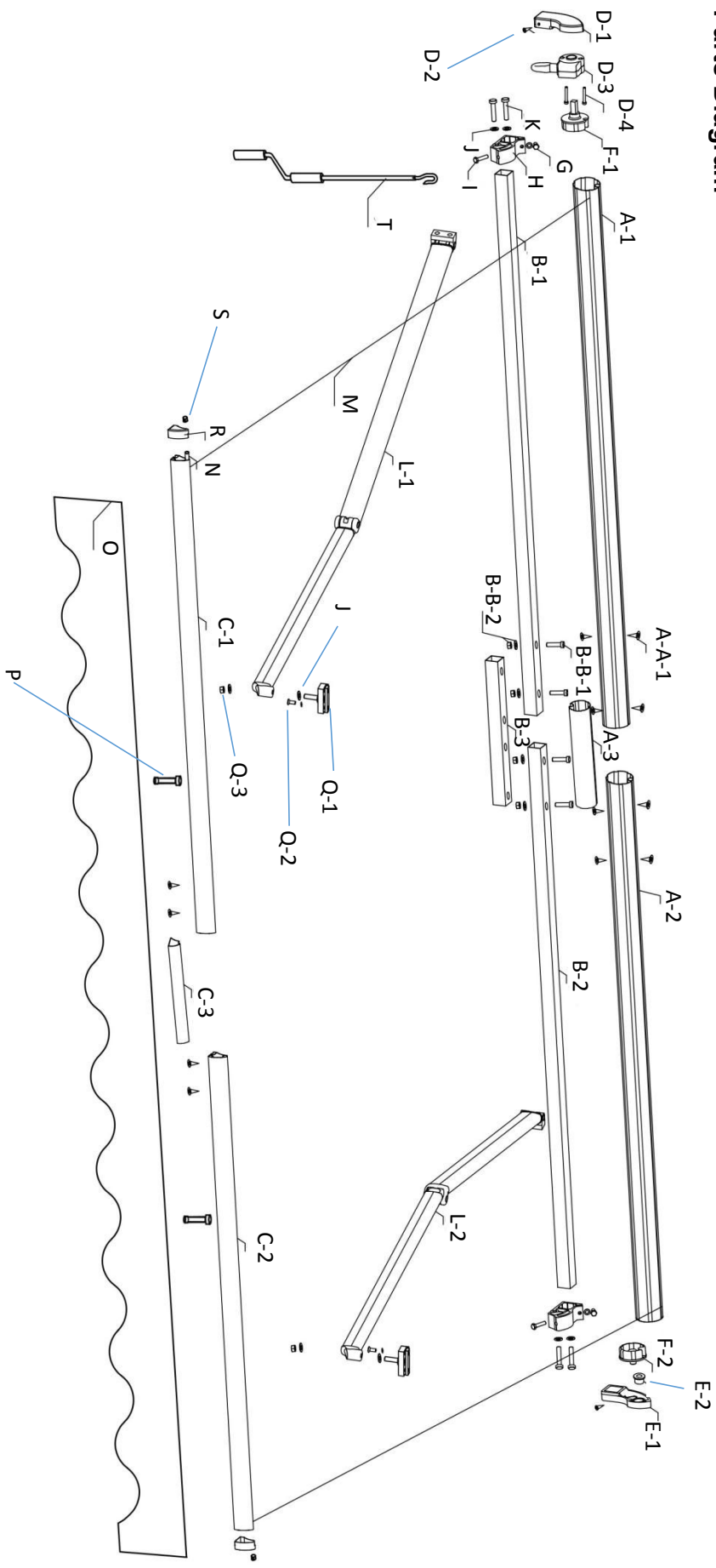
**PLEASE DO NOT RETURN THIS PRODUCT TO THE STORE!**

The owner's manual includes assembly and operating instructions, safety warnings, and the lists of parts and hardware. If you have questions about the assembly or operation of this product, or have missing or defective parts, please e-mail us at [Sales@AlekoProducts.com](mailto:Sales@AlekoProducts.com) or call us (M-F 7:00 AM to 5:00 PM PST) at 253-872-3656

## Contents

- **Parts Diagram** - - - - - 1
- **Steps of Assembly** - - - - - 2 / 3/ 4/ 5
- **Specifications** - - - - - 6
- **Safety Installation and Operation** - - - - - 6
- **Part List** - - - - - 7
- **Installation Procedure** - - - - - 7 / 8 / 9/ 10
- **Common Mistakes** - - - - - 10
- **Motor Installation(Optional)** - - - - - 10/ 11

# Parts Diagram



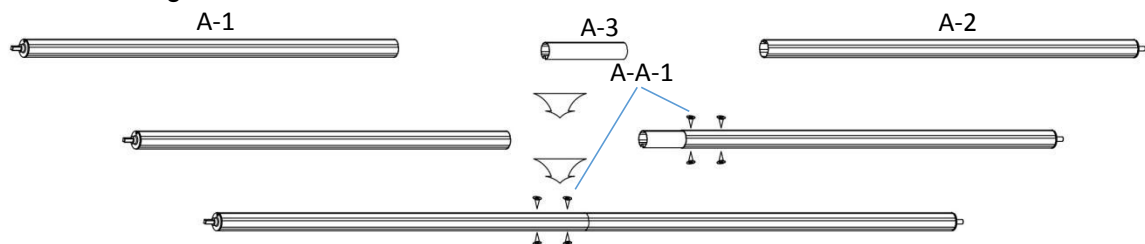
- A-1. Roller(left)
- A-2. Roller(right)
- A-3. Roller connector
- A-A-1. Bolt M4 x 15
- B-1. Torsion bar(left)
- B-2. Torsion bar(right)
- B-3. Torsion bar connector
- B-B-1. Bolt M6 x 45
- B-B-2. Bolt M6 + Washer Ø6
- C-1. Front bar(left)
- C-2. Front bar(right)
- C-3. Front bar link tube
- D-1. Left roller support
- D-2. Bolt M10 x 60
- D-3. Gear box
- D-4. Bolt M6 x 50
- E-1. Right roller support
- E-2. Round shaft cover
- F-1. Square shaft
- F-2. Round shaft
- G. Bolt M10 x 65
- H. Arm shoulder
- I. Adjustable bolt M10 x 30
- J. Washer Ø10
- K. Bolt M10 x 50
- L-1. Left arm
- L-2. Right arm
- M. Fabric
- N. Fabric liner
- O. Valance
- P. Spirit level
- Q-1. Front bar wrist support
- Q-2. Bolt M8 x 12
- Q-3. Self lock nut M10 + Washer Ø10
- R. Plastic cover for front bar
- S. Screws
- T. Hand Crank

**WARNING:**

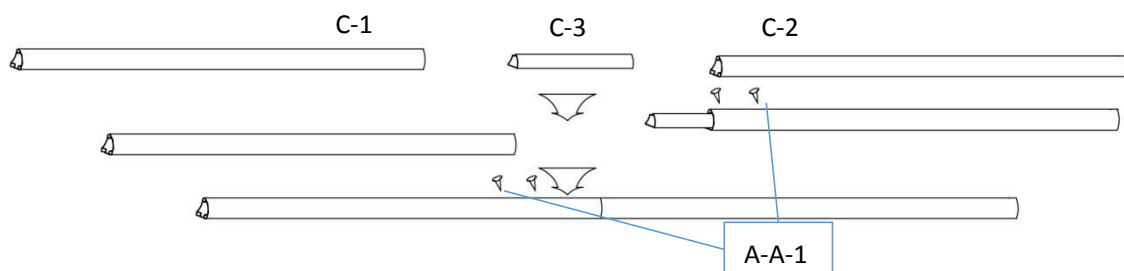
**FAILURE TO FOLLOW THESE INSTRUCTIONS  
COULD RESULT IN PERSONAL INJURY!**

**Steps of Assembly**

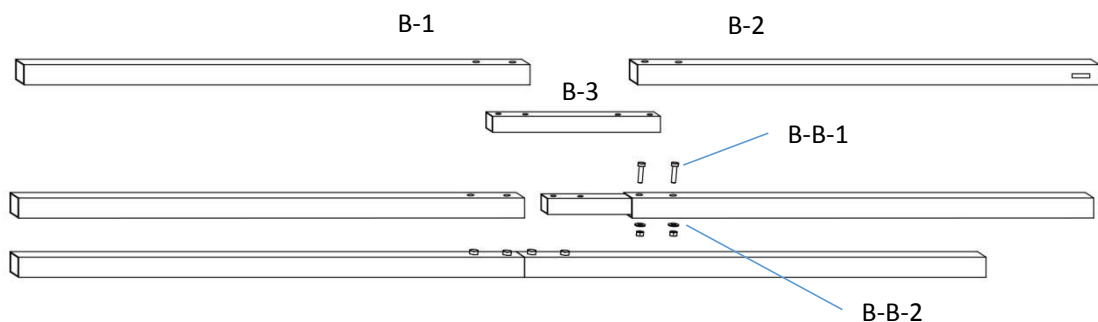
1. Roller Assembly: Insert roller connector (A-3) into right roller (A-2), fasten it with bolt (A-A-1). Link the left roller (A-1) to the connector (A-3), fasten it with bolt (A-A-1). Now you have a full length roller.



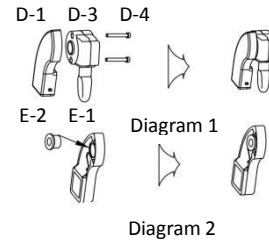
2. Front bar assembly: Insert front bar connector (C-3) into right front bar (C-2), fasten with bolt (A-A-1). Link left front bar (C-1) with the connector (C-3), fasten it with bolt (A-A-1). Now you have a full length front bar.



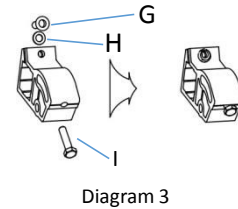
3. Torsion bar assembly: Insert torsion bar connector (B-3) into right torsion bar (B-2), fasten with bolt (B-B-1). Link left torsion bar (B-1) with connector (B-3), fasten with bolt (B-B-1). Now you have a full length torsion bar.



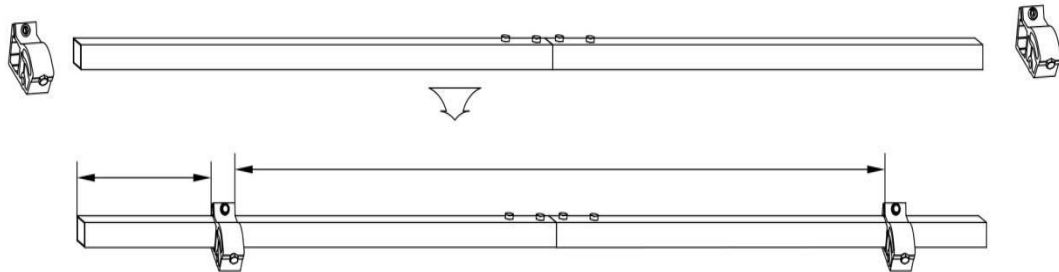
4. Installation of gear box: Combine left roller support (D-1) with gear box (D-3) through bolt (D-4) M6x50, refer to Diagram 1. Then install right roller support (E-1) and round shaft cover (E-2) together as in Diagram 2.



5. Installing of arm shoulder: Assemble arm shoulder (H), bolt M10x65 (G), washer and adjustable bolt M10x30 (I) together, refer to Diagram 3.

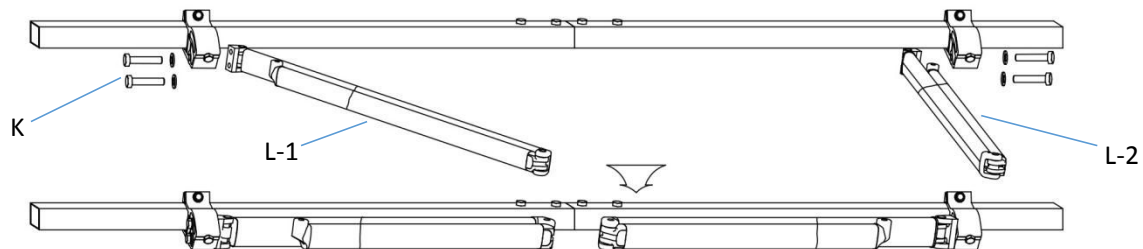


6. Torsion bar and arm shoulder assembly: Link torsion bar and arm shoulder, tighten arm shoulder with bolt M10x65 (G) with socket head wrench. Set positions of arm shoulder for both side against different awning sizes. (This step is already done by factory.)

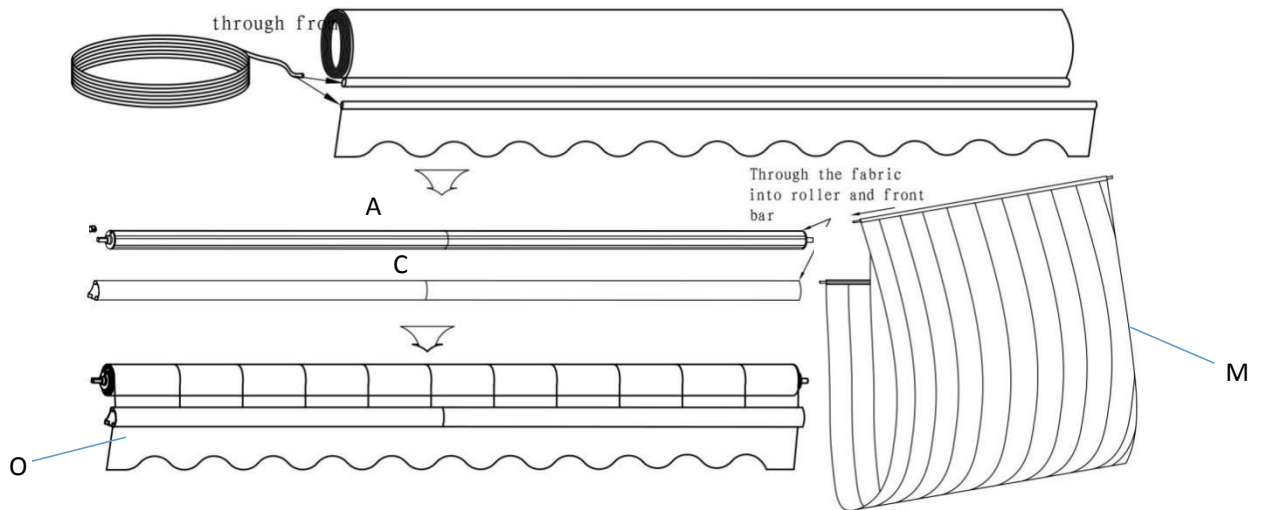


7. Arm shoulder Assembly: Link both left (L-1) and right (L-2) arms with corresponding arm shoulder through bolt M10x50 (K).

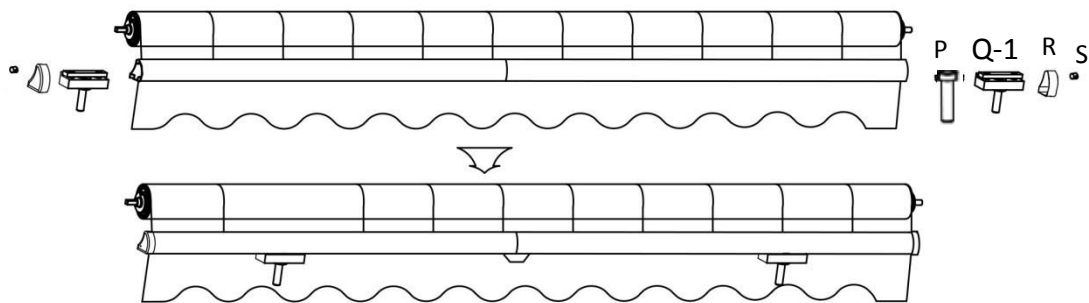
Warning: Arms should be tied together during installation to avoid bouncing out and cause injury.



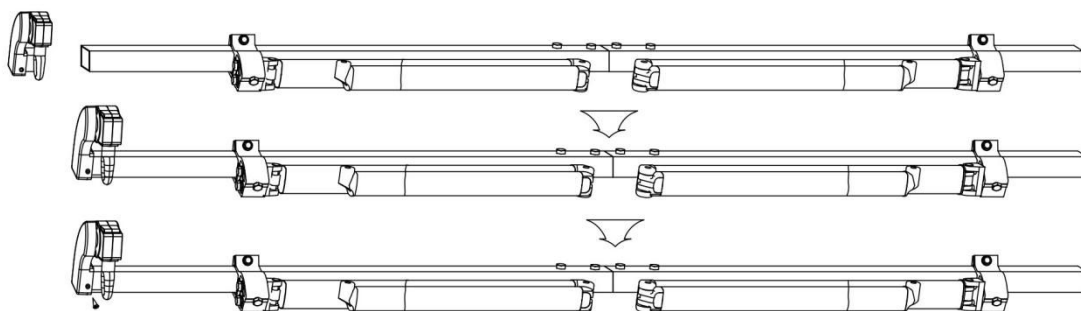
8. Spread out both of the fabrics (M) and valance (O) and insert fabric liner (N). Push one end of fabric with liner inserted into gauges on roller, then the other end through front bar. (Attention: The fabric has two sides: front and back. The back side is with hem facing downwards) See below image.



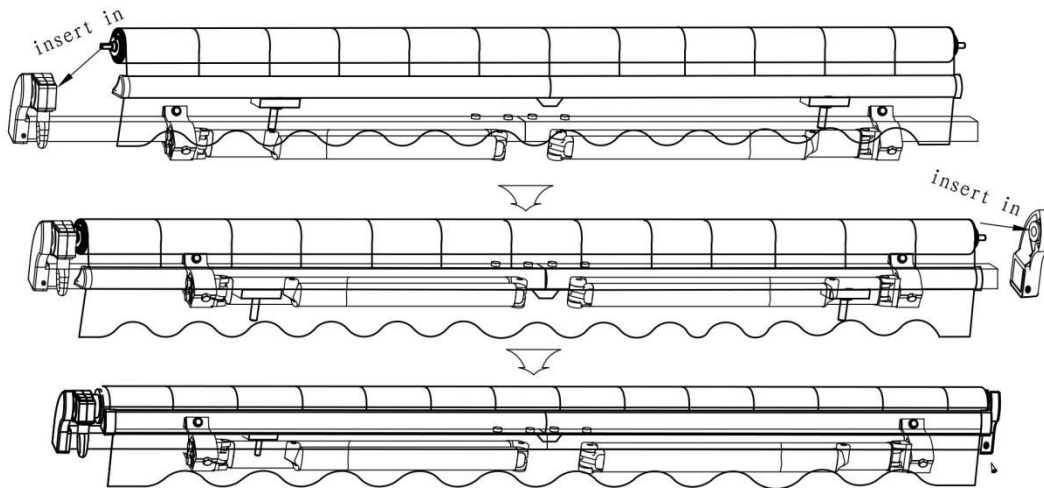
9. Front bar wrist support assembly: Slide spirit level (j) and front bar wrist support (X) into big trough of front bar, put both left and right plastic cover (f) to each end of the bar, then fix the screw(e) to the plastic cover(f).



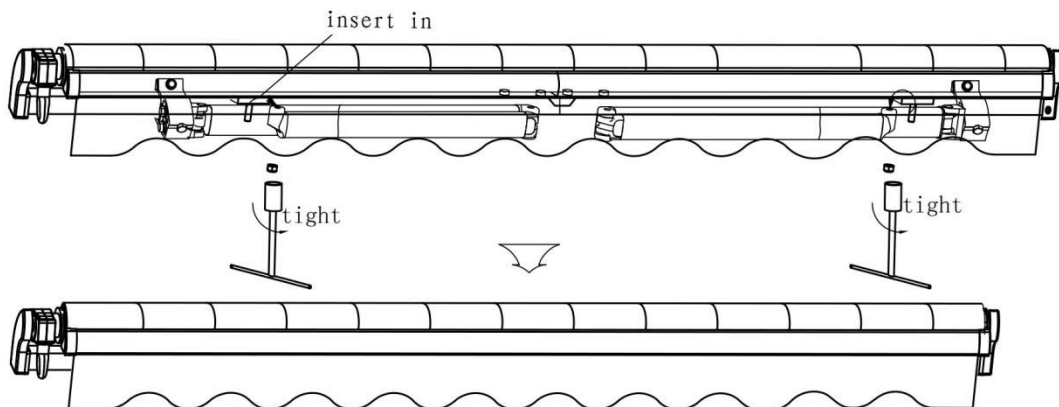
10. Left roller support with gear box assembly: Hammer left roller support with gear box into torsion bar with gentle strength. Tighten screws with screwdriver.



11. Assembly of whole awning: Insert square shaft (F-1) in roller with fabric into square hole of gear box, then knock round shaft cover (E-2) into right roller support (E-1) and link it with round shaft of right side using hammer, tighten screw on it using screwdriver.



12. Setting position of whole awning: Make sure two arms are tied tightly to torsion bar, move front bar wrist support (Q-1) until it connects with front bar wrist. Align the front bar and roller, tighten bolt (Q-2) of two front bar wrist support upwardly by screwdriver. Then fasten self locking nut M10 (a) with bolts up to 95% tight using ribbon tube spanner. Lastly, setting spirit level (P) in centre of two arms, fasten it when awning is opened.



13. FAQ: What if the fabric wraps unevenly or the two arms cannot open together at the same time?

Answer: Look at the stability of two arms and adjust the front bar wrist of the faster arm outwards accordingly.

## Specification

Product name	Material and surface treatment	Applicable wall type	Recommended installation height	Applicable weather
Retractable awning  (Please see details on the package)	Materials: Steel tube, Aluminum alloy, plastic parts, polyester fabric. Service treatment : tubes: spray paint and oxidation Cloth surface: PU, UV, waterproof	Reinforced concrete walls, brick walls, and wooden walls	8 ft ~ 12 ft	The products are used to shield sunshine. Applicable when wind is under level 5. Not suitable for rainy weather.

The lifespan of the product is 5 years (assuming the frame is opened and closed twice a day).

Only screws for reinforced concrete walls and brick walls are provided. If you want to install the product on a wooden wall, please seek advice from professional installer.

**Important:** Read “Instructions for installation and operation” carefully before installation. Keep the instruction in a safe place for future reference.

### Safe installation and operation

- ❖ Never install it in high and windy places, as the sunshade may drop and hurt someone
- ❖ Don't use it in places that have vibrations or impulses.
- ❖ Don't use it in places of high temperature such as walls near furnaces.
- ❖ Don't put heavy things on the frame as it may fall down and cause damages.
- ❖ Please close the sunshade in windy and rainy days.
- ❖ Never use it for other purposes other than suggested
- ❖ Be careful with your fingers during installation.
- ❖ Two adults are needed to move and install the sunshade as the product is big and heavy.
- ❖ Please use all the screws and nuts correctly during installation as it is very dangerous if you leave it loose.

## Parts List

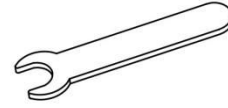
Please prepare the following tools before installation (not included with the product)



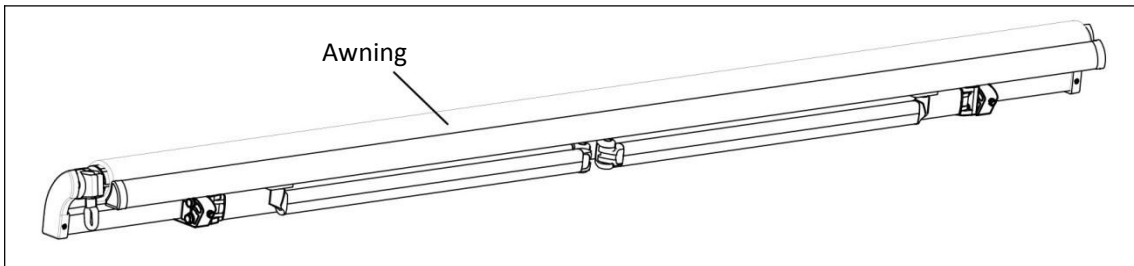
Power drill with drilling bit



Tape



Wrench (wrenches of M10 and M12)

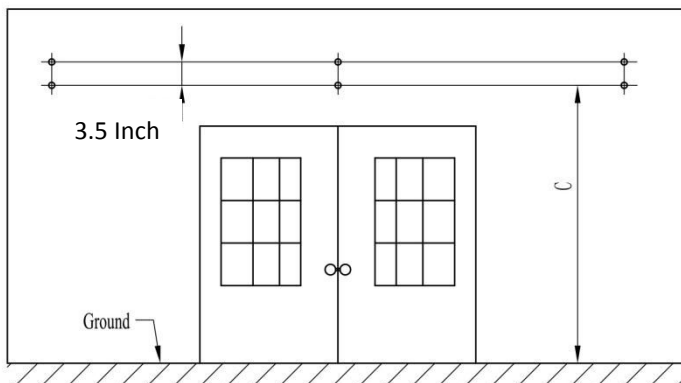


Awning

<p>Hand Crank</p>	<p>Instructions</p>														
	<p>Wall Bracket</p>	<table border="1"> <thead> <tr> <th>Product model</th> <th>No. Of wall brackets</th> <th>No. Of expansion bolts</th> </tr> </thead> <tbody> <tr> <td>&lt; 10.8ft</td> <td>2</td> <td>4</td> </tr> <tr> <td>10.8ft ~ 14ft</td> <td>3</td> <td>6</td> </tr> <tr> <td>14.5ft ~20ft</td> <td>4</td> <td>8</td> </tr> </tbody> </table>	Product model	No. Of wall brackets	No. Of expansion bolts	< 10.8ft	2	4	10.8ft ~ 14ft	3	6	14.5ft ~20ft	4	8	
Product model	No. Of wall brackets	No. Of expansion bolts													
< 10.8ft	2	4													
10.8ft ~ 14ft	3	6													
14.5ft ~20ft	4	8													

## Installation Procedure

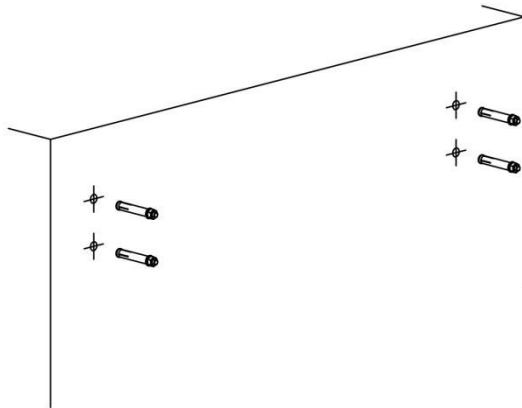
1. Measure the distance along the wall where it can be placed. Drill holes for wall brackets on the wall according to the installation distances and height of the wall brackets. The diameter and depth of hole must be the same as expansion bolts.



The holes of each group must be on the same line in transversal direction and vertical direction.

(Note: It is recommended to draw lines on the wall first to ensure precise position and size of the holes)





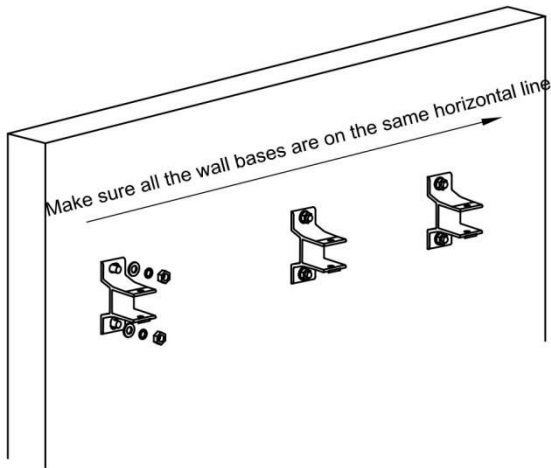
2. Hammer all the expansion bolts into the holes. Then take down the nuts and washer.

(Note): ①The expansion bolts must be hammered into the wall completely.

②The bolts must be stick out of the wall so that the wall brackets can be installed on it.

③The nut and washer might be separated from the bolt during process of transportation, please put

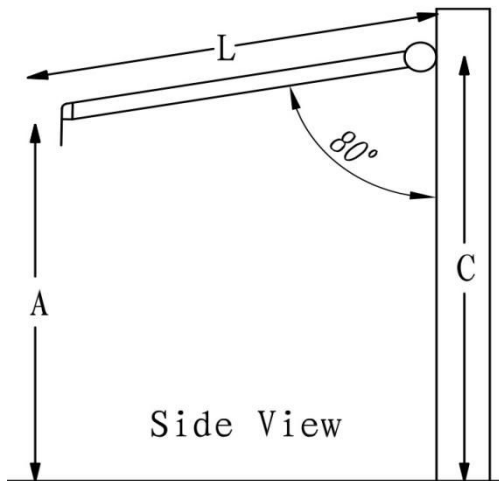
them back into their original positions before hammer them into the wall.)



3. Take down the original bolts of the wall brackets as shown in the figure, use expansion bolts to fix the wall brackets on the wall. Do not tighten completely, leave wall brackets to stay on the wall with little movement.

**Installation distance between wall brackets**

Awning < 10.8ft	Only 2 wall brackets for each end of torsion bars
Awning 10.8ft ~ 14ft	2 wall brackets at each end of torsion bar, a middle bracket in between distance of 2 arm shoulders (arm brackets refer to steps of assembly 6)
Awning 14.5ft ~ 20ft	2 wall brackets at each end of torsion bar, 2 middle brackets divide into equal length in between distance of 2 arm shoulders at each end of torsion bars. (steps of assembly 6)

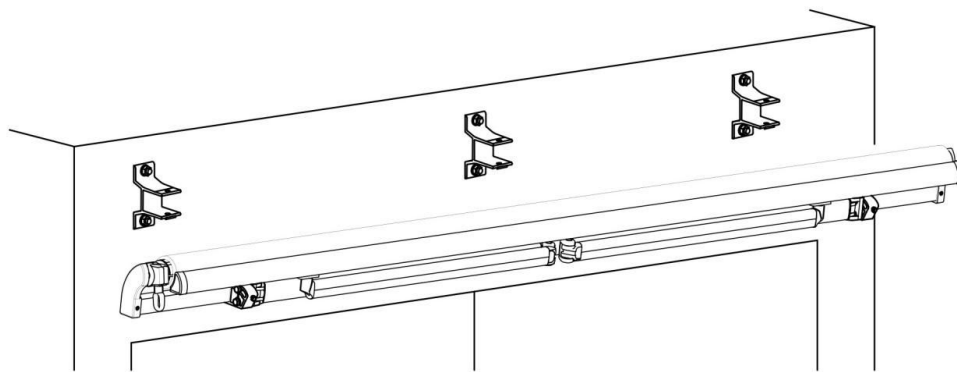


4. As shown in the figure, we recommend making the awning surface to form an angle of about 80 degrees with the wall when it is open.

- A) The height of front bar you desire
- L) The length of the arm stretch out
- C) The height of wall brackets

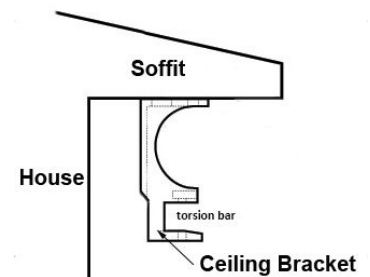
You can follow this formula:  $C = A + 0.17 * L$

5. Install the awning on the wall brackets according to "Installation distances between wall brackets" above, put the original bolts on the wall brackets and tighten them. Finally fasten all expansion bolts.



6. **ALTERNATIVELY, TWO WAYS CEILING/WALL BRACKETS** are available separately @ AlekoProducts if you would like to fit an awning on the Soffit.

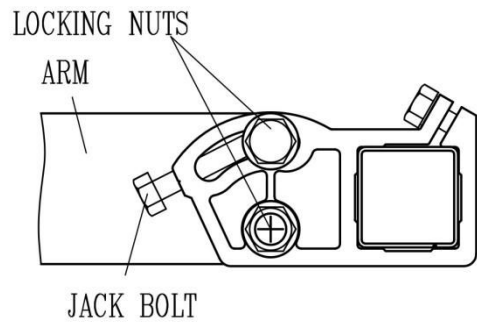
Measure distance and drill holes on the soffit. Hammer expansion bolts into holes (Refer to step 2-3). Lastly, Fit awning into square space as label.



**CAUTION: PROPER LOCATION OF THE BRACKETS IS THE MOST IMPORTANT ASPECT OF THE AWNING INSTALLATION. IT IS CRITICAL THAT YOU FASTEN ALL THE MOUNTING BRACKETS TO STUDS, JOISTS, HEADERS OR OTHER MAJOR STRUCTURAL COMPONENTS.**

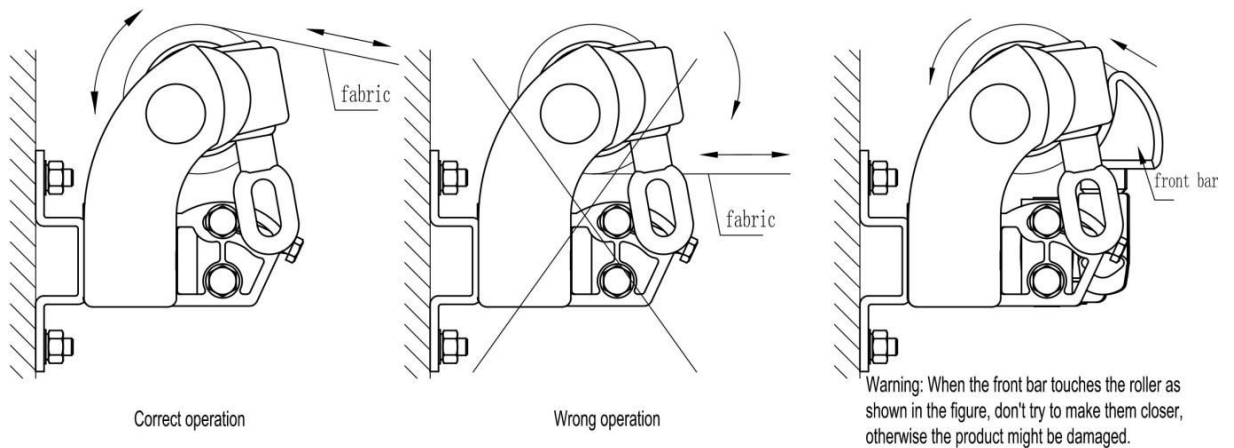
**WARNING: FAILURE TO SECURELY FASTEN ALL THE BRACKETS TO THE WALL COULD RESULT IN THE COLLAPSE OF THE AWNING AND CAUSE PERSONAL INJURY OR DEATH.**

### 7. Instruction for front side leveling



- ① Loosen the locking nuts.
- ② Turn the jack bolt to adjust pitch
- ③ Adjust the arm until the front side stays in horizontal line.
- ④ Tighten the locking nuts.

### Common Mistakes



### Motor Installation(optional)

**Motor installation**

Diagram 4

**Motor wiring diagram**

Installation of motor bracket: Combine left roller support with motor bracket through bolt M6 x 50, see Diagram 4 above;

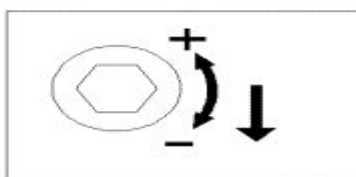
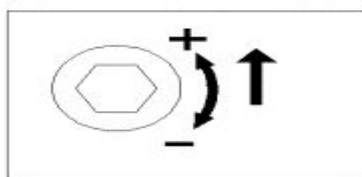
Fixing guide:

1. Please connect the down-lead of the motor and the wire of power supply to the switch according to the diagram. (Make sure to turn off the power supply first.)
2. The stroke of the motor was placed at the maximum after production.
3. You should turn off the power supply before using the hand crank.

### Adjustment:

The motor has two regulation holes, using the screw driver you can adjust the opening distance of the awning.

- 1. Indicating the increase or decrease of the opening of the awning: "+" stands for increase, "-" for decrease.
- 2. Opening direction may be different when the motor is installed, if it is attached inversely or on the other side. Please check the motor opening direction during adjustments.
- 3. Note: The awning operation is already set during production. If adjusting is needed, please contact a local dealer or a professional installer.



### Attention:

1. The hand crank will not work when the power is turned on. **(Important)**
2. The awnings driven by the tubular motor have the built-in thermal protection device, which can keep working for 2 minutes and then stop. After 10 minutes, it will continue to operate.
3. The built-in tubular motor of awning is suitable for working from  $-15^{\circ}\text{C}$  +  $40^{\circ}\text{C}$ .
4. Do not hang or place any items on any part of the awning.
5. If the motor doesn't work, or the remote control distance is getting short, you should check the built-in parts of the remote and the batteries.
6. Please check the fixed bracket regularly to make sure they have not come loose, especially in windy/rough weather areas.
7. The awning should be fully closed in windy conditions.

For more information, parts and accessories  
Please visit our web site:  
[www.AlekoProducts.com](http://www.AlekoProducts.com)

**PLEASE DO NOT RETURN THIS PRODUCT TO THE  
STORE!**

**If you have questions about the assembly or operation of this product  
Or have missing or defective parts, please e-mail us at  
[Sales@AlekoProducts.com](mailto:Sales@AlekoProducts.com)  
Or call us (M-F 7:00 AM to 5:00 PM PST) at 253-872-3656**