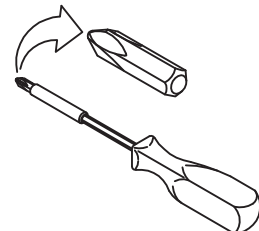
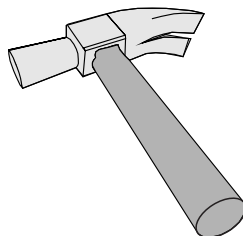
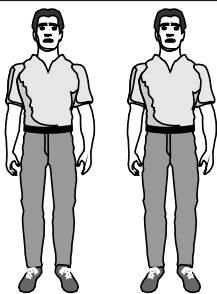
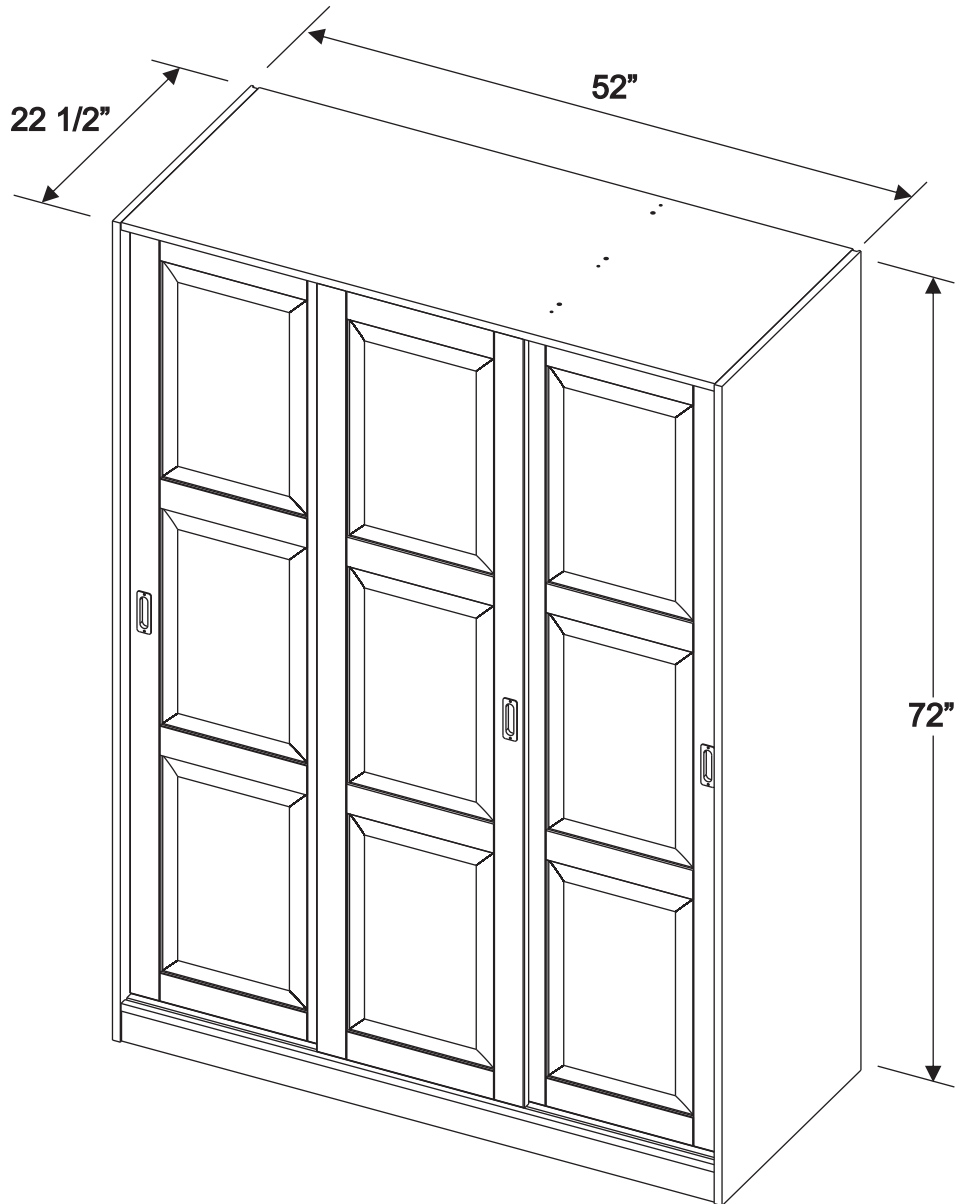


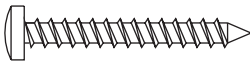
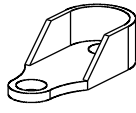
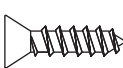

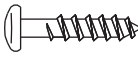

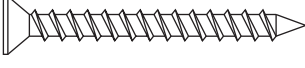

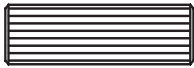
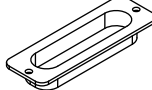
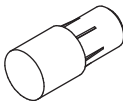
ASSEMBLY INSTRUCTIONS

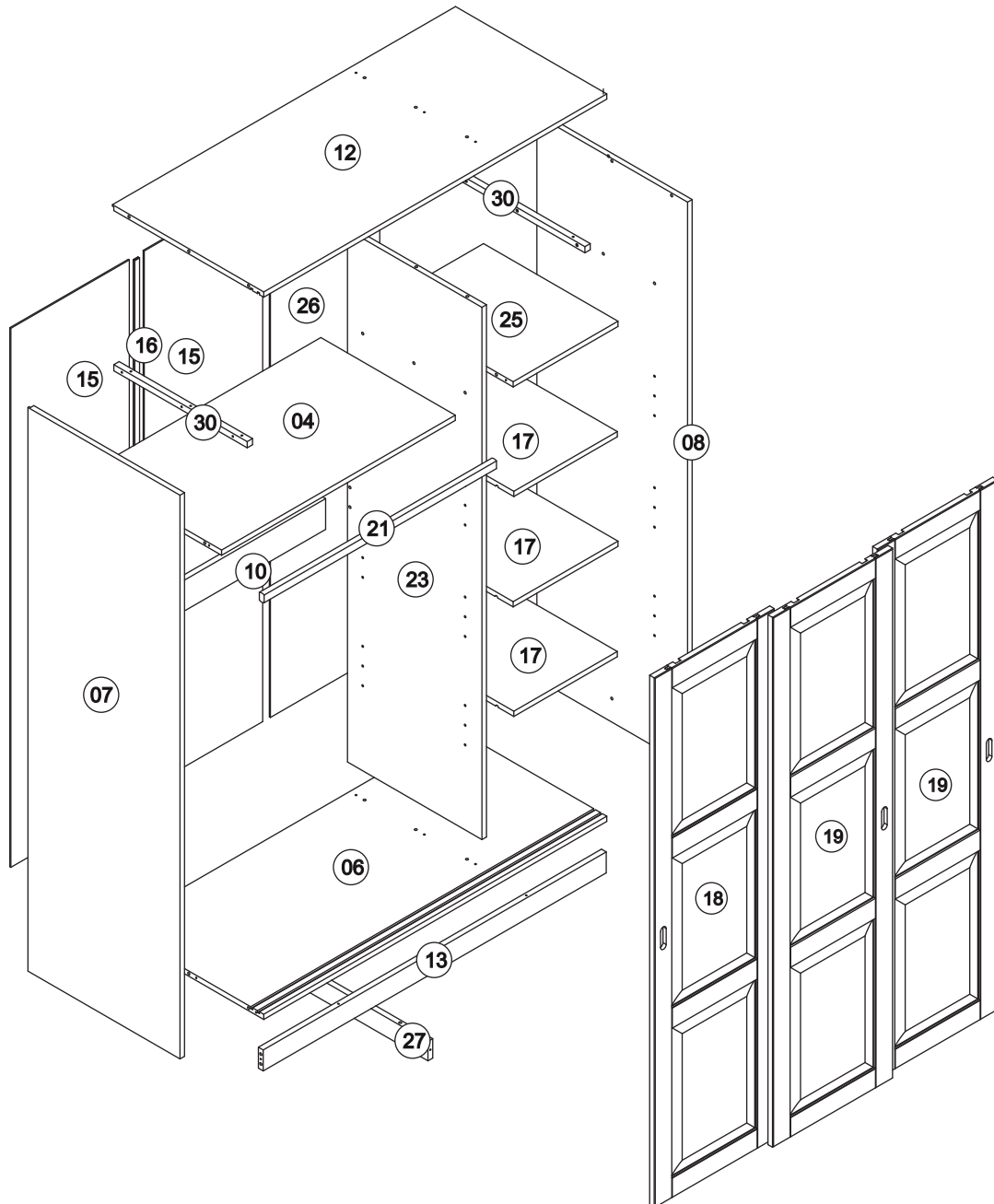
3-SLIDING DOOR WARDROBE WITH RAISED PANEL DOORS

SKU 5672 - Mahogany
SKU 5674 - Honey Pine

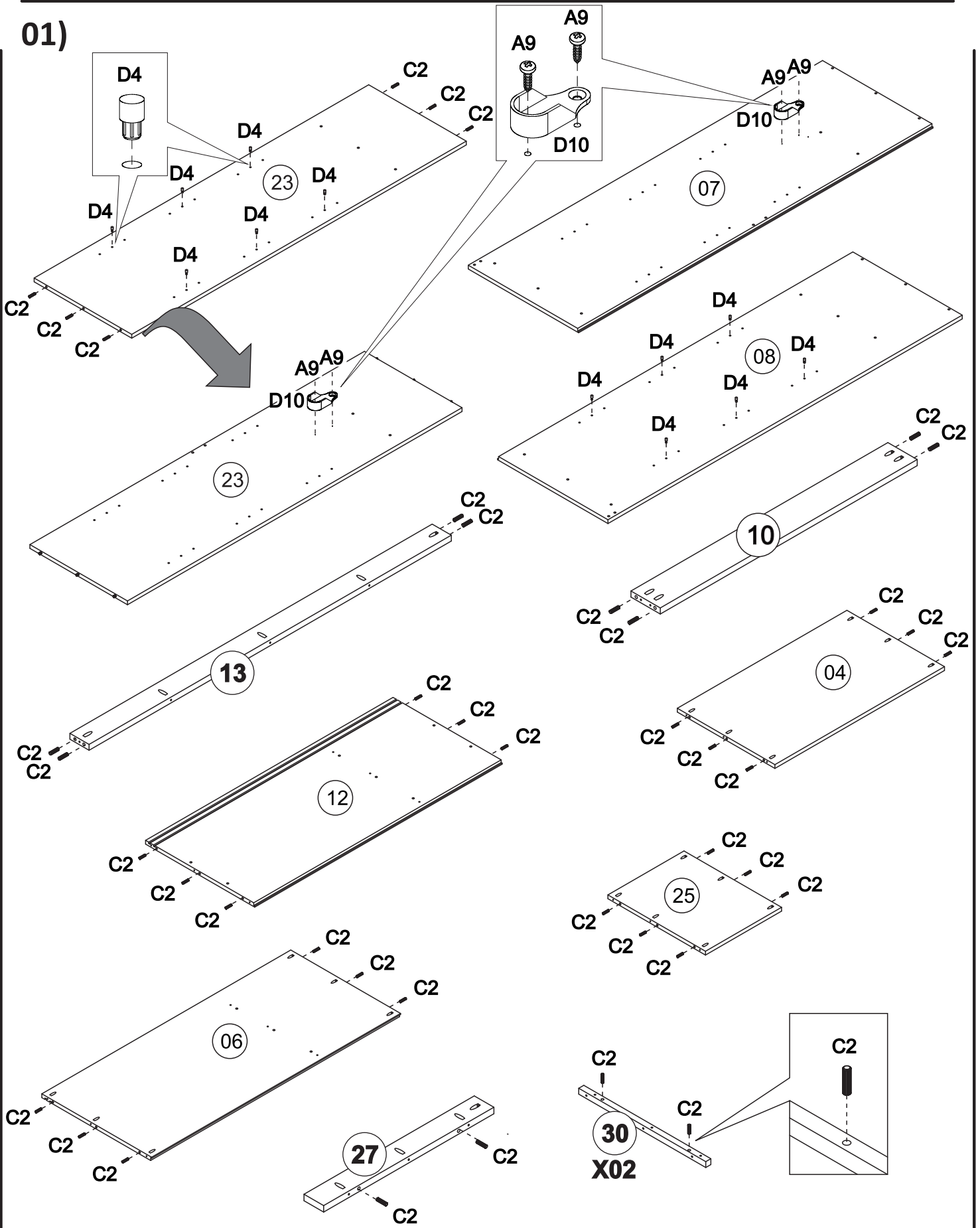






SCREWS ARE SHOWN IN ACTUAL SIZE

A1	 4,0x30	43	D10		02
A3	 3,0x16	06	E6	 TOP GUIDE	06
A9	 3,5x16	28	E7	 BOTTOM GUIDE	06
A16	 4,0x40	06	G1	 10x10	58
C2	 8,0x25	44	H2		03
D4		12			

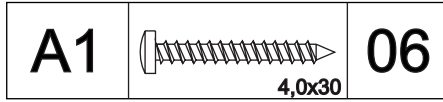
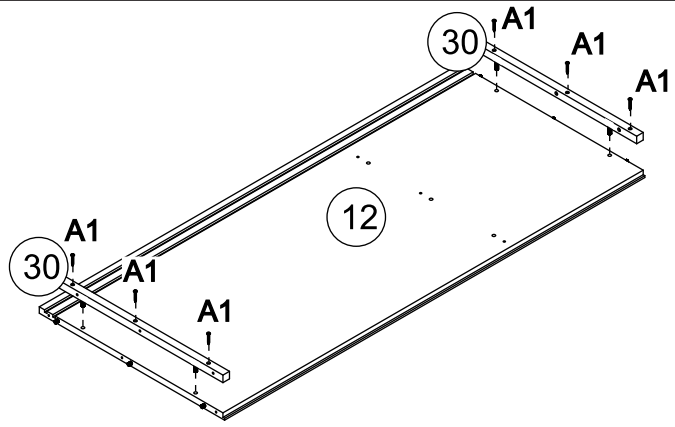


01)

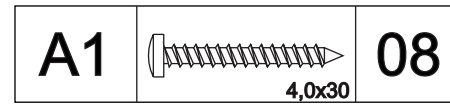
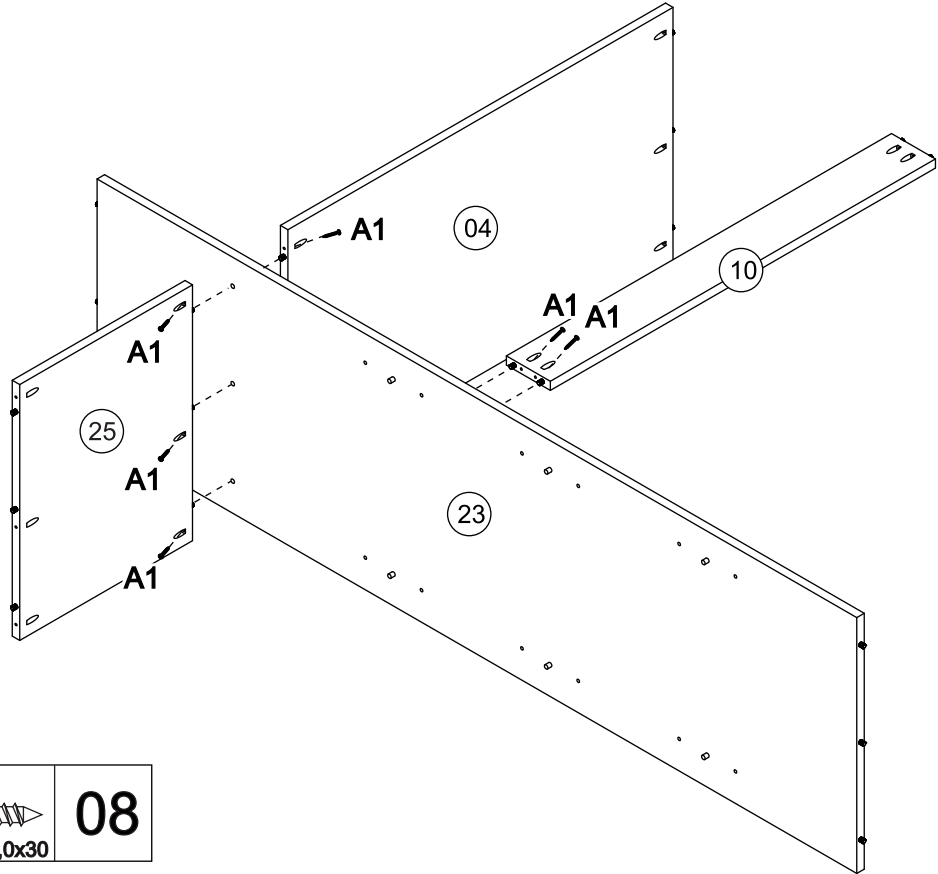


A9	 3,5x16	04	D4		12
C2	 8,0x25	44	D10		02

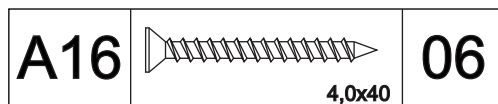
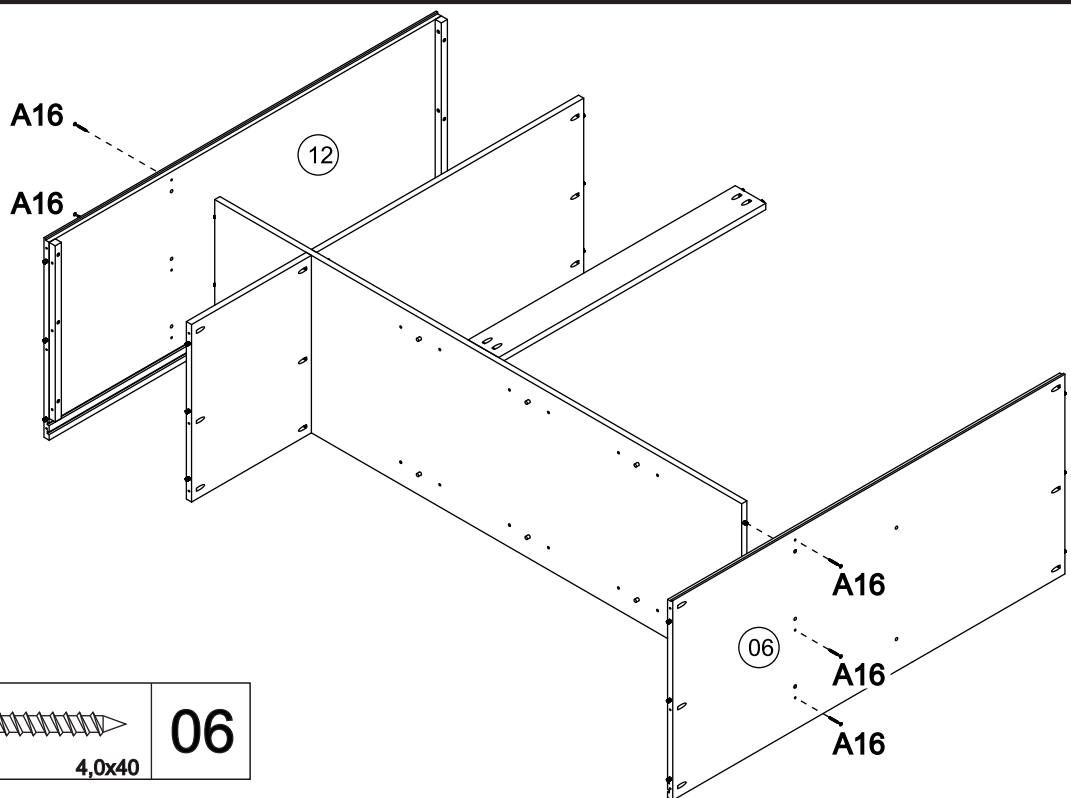
02)



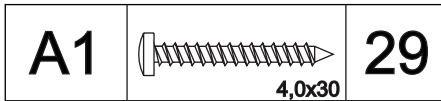
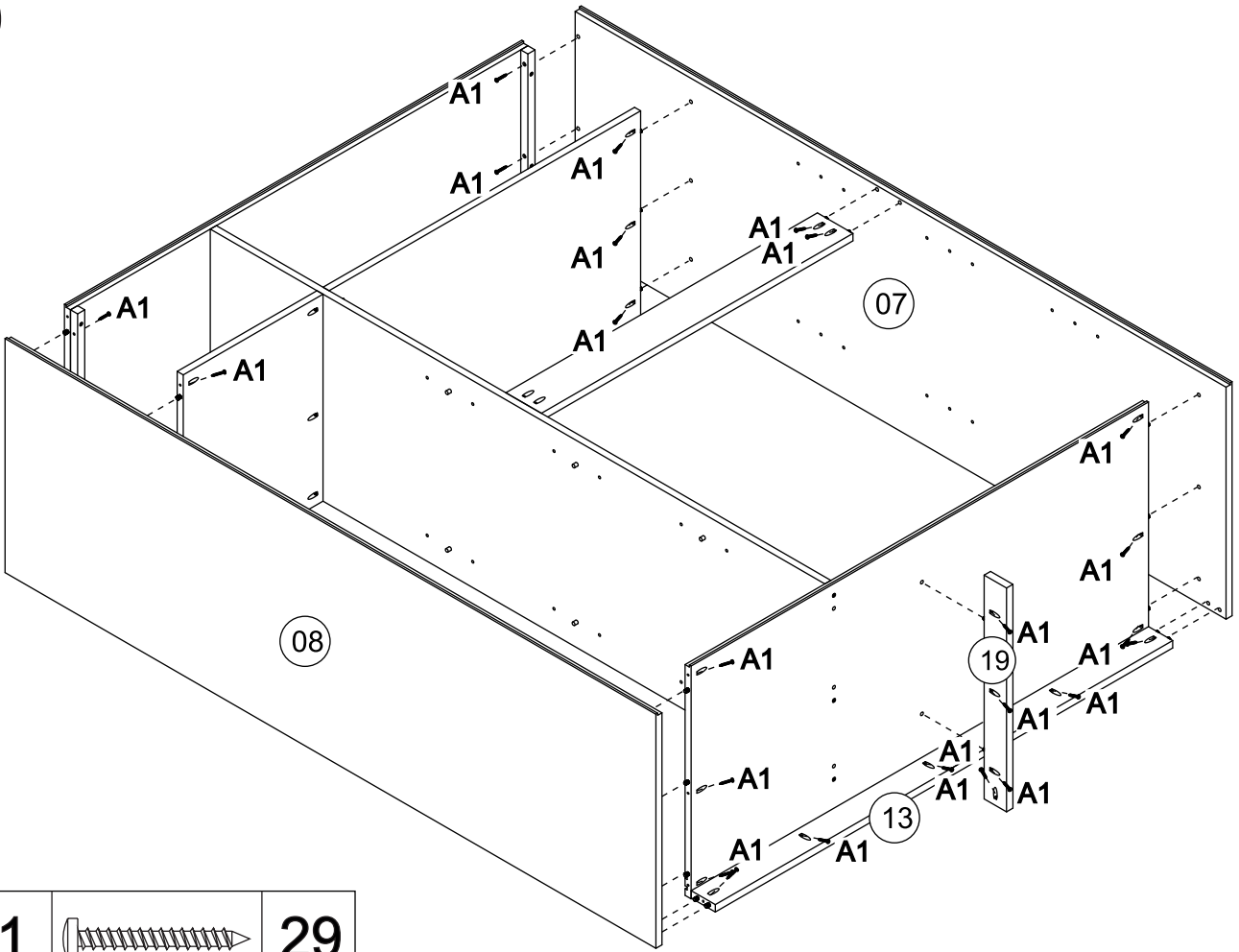
03)



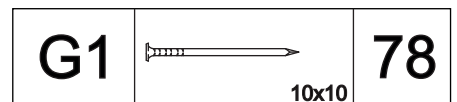
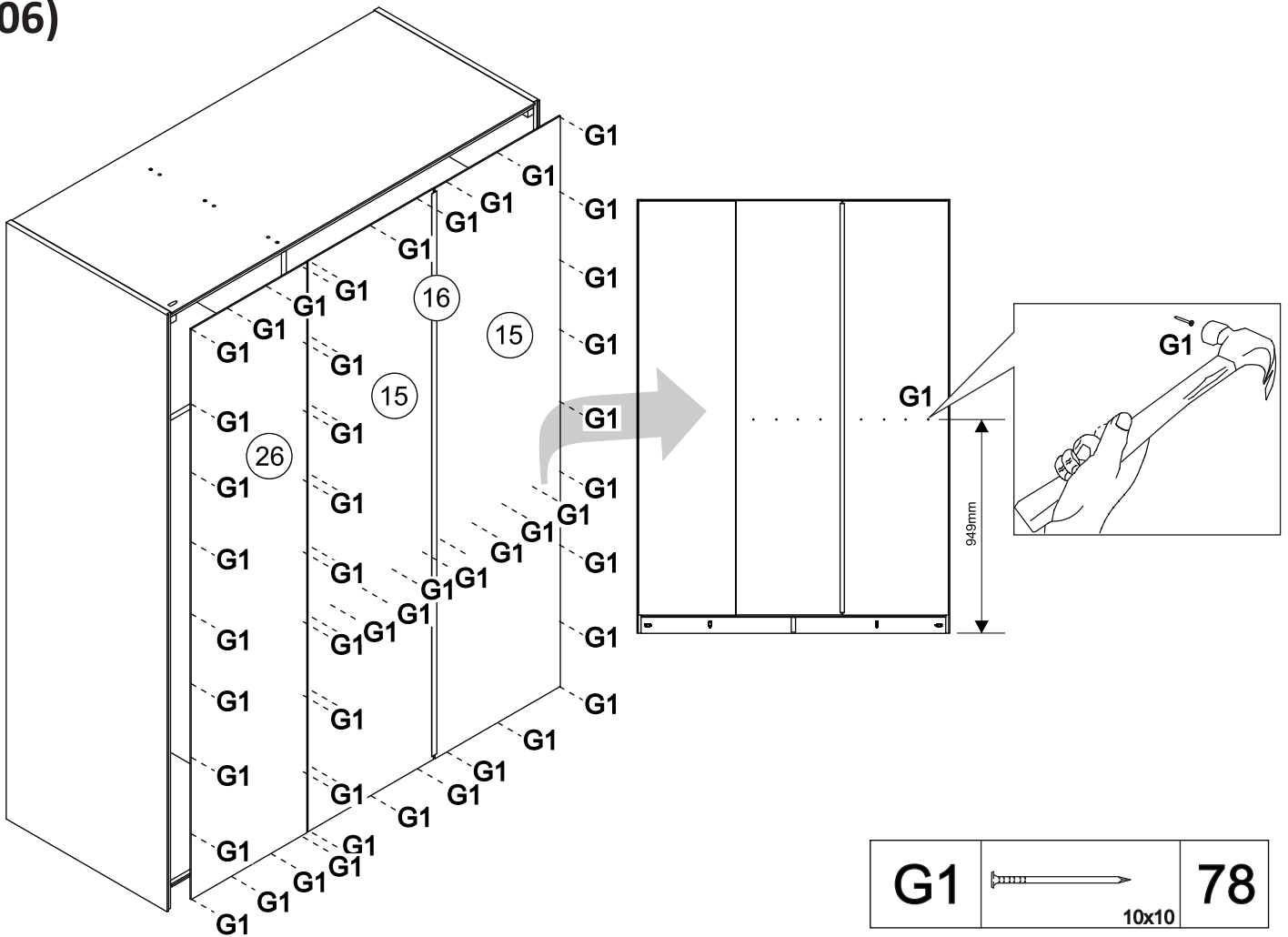
04)



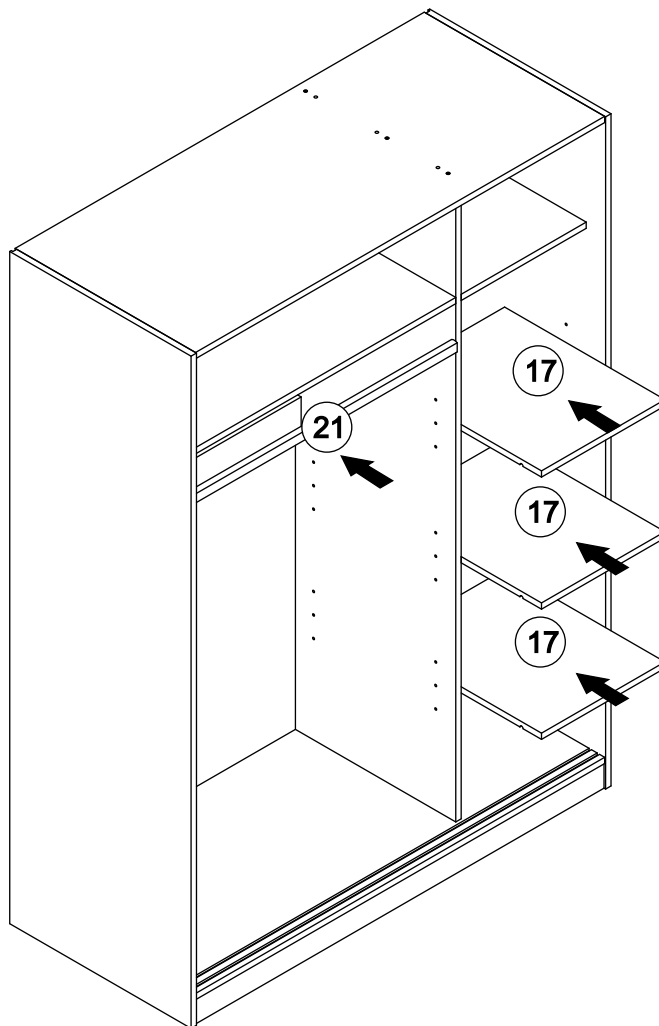
05)



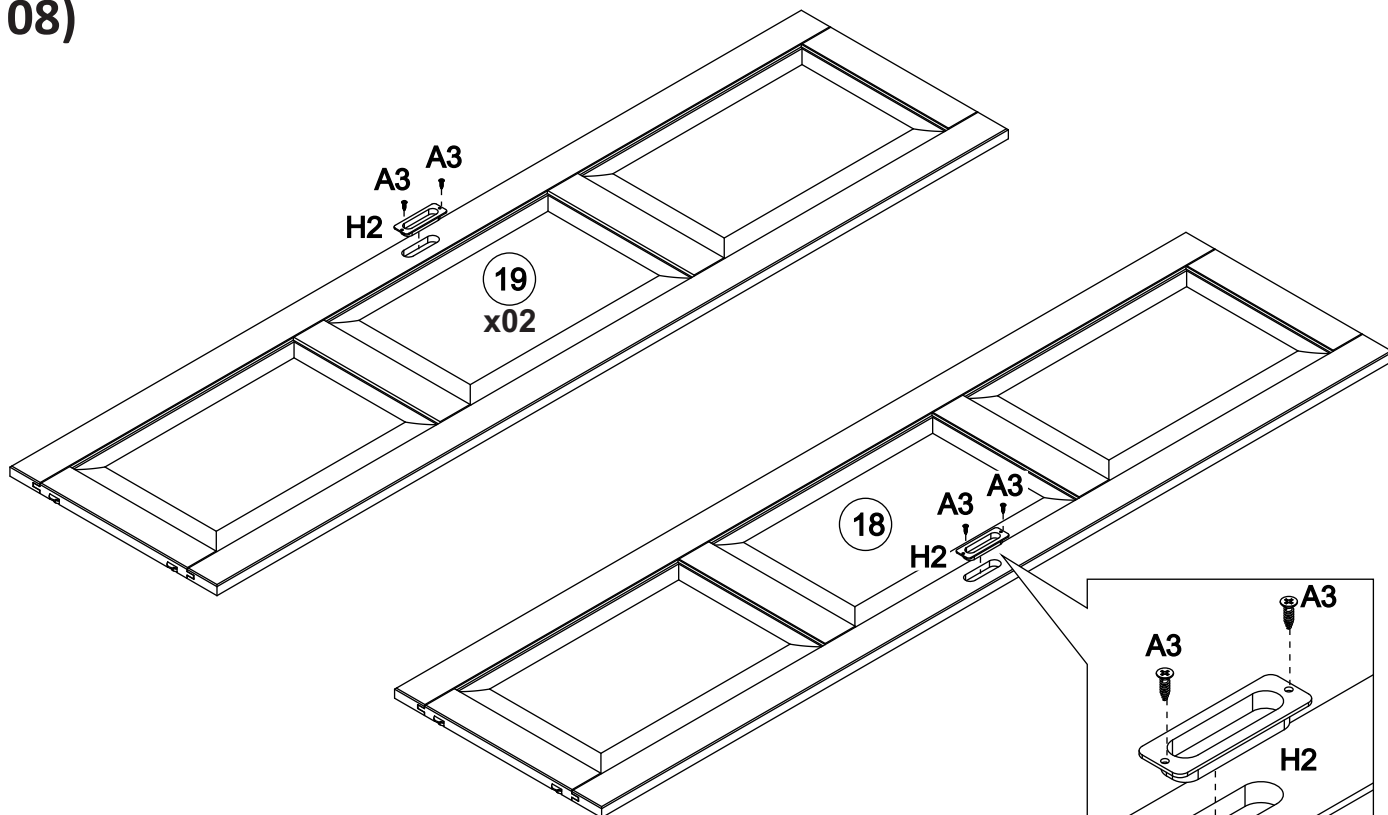
06)





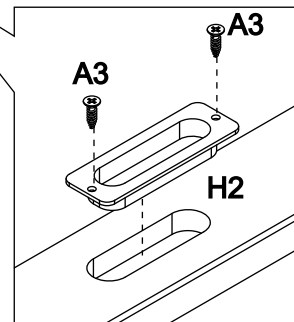
07)



08)

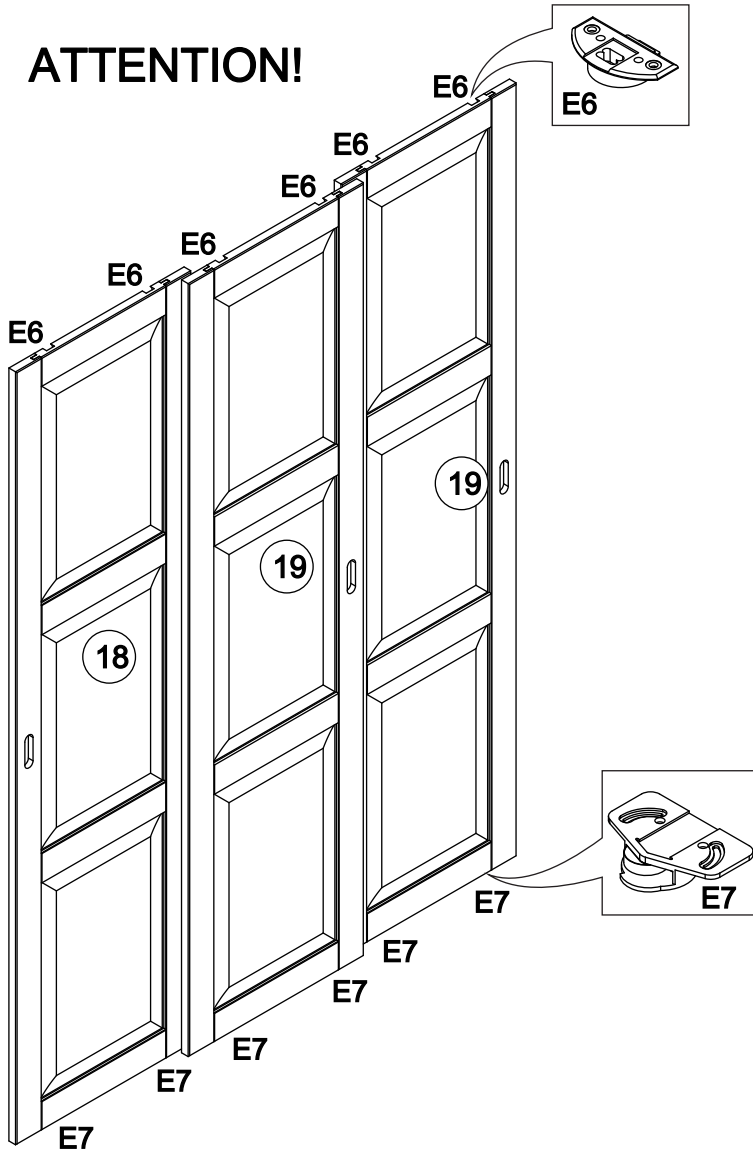


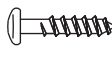


A3	 3,0x16	06
H2		03

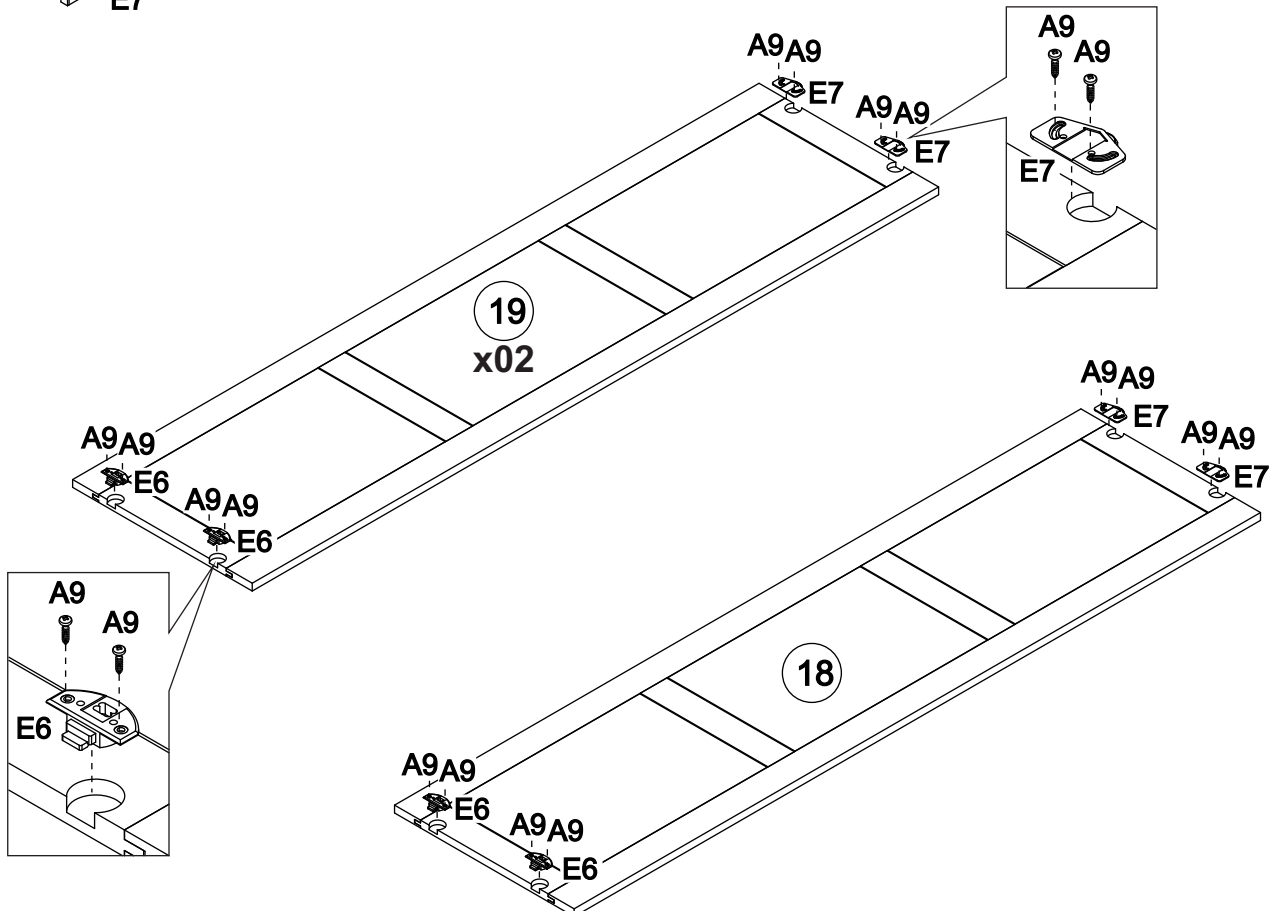


09)

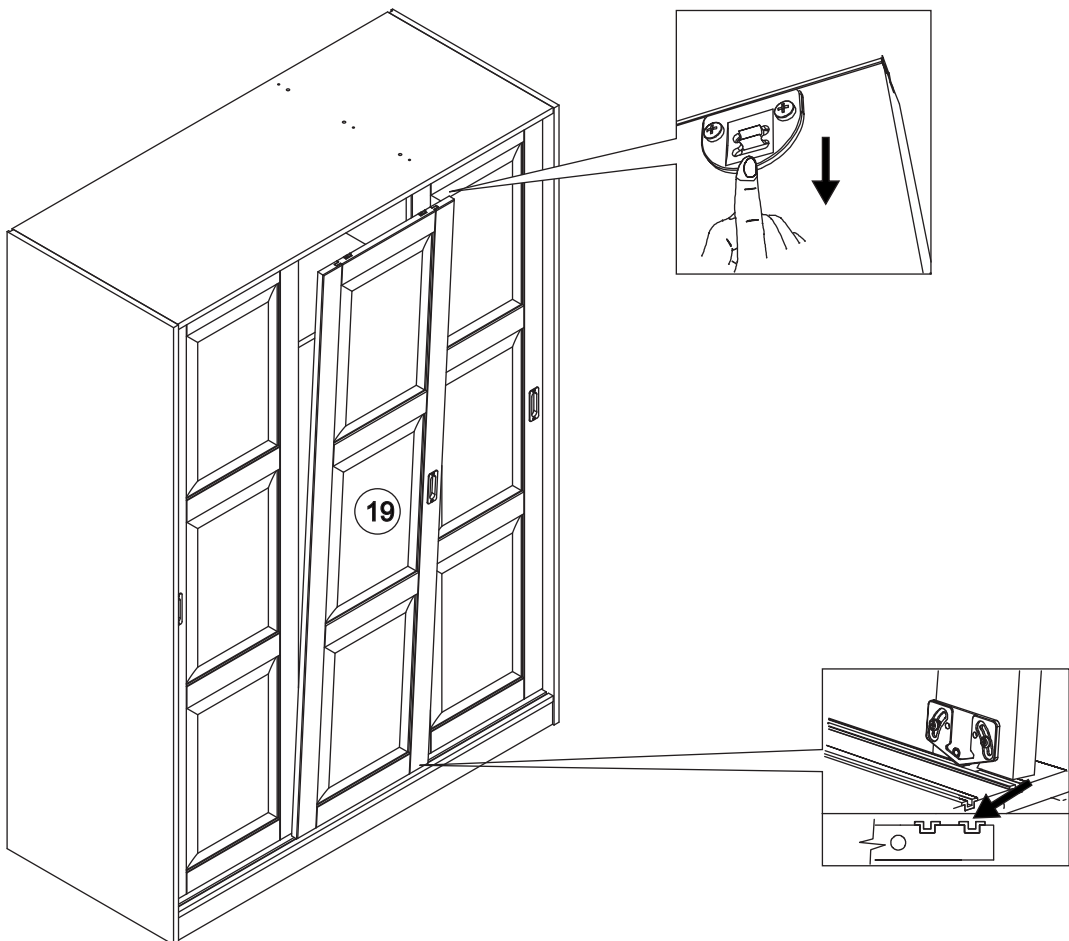
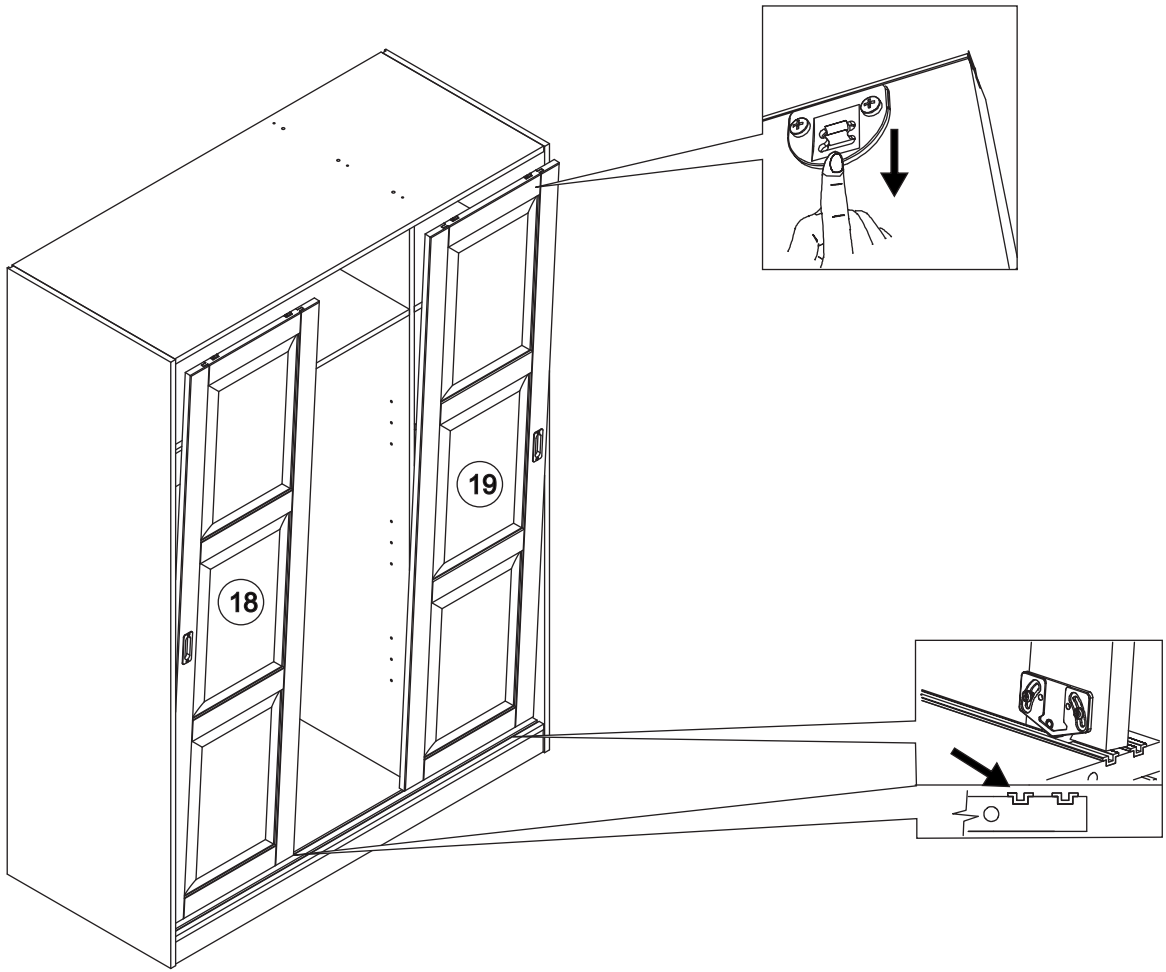
ATTENTION!



A9	 3,5x16	24
E6	 TOP GUIDE	04
E7	 BOTTOM GUIDE	04



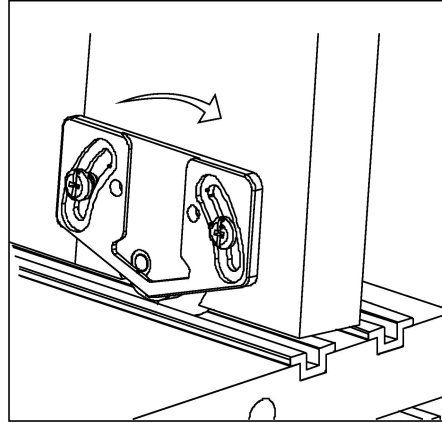
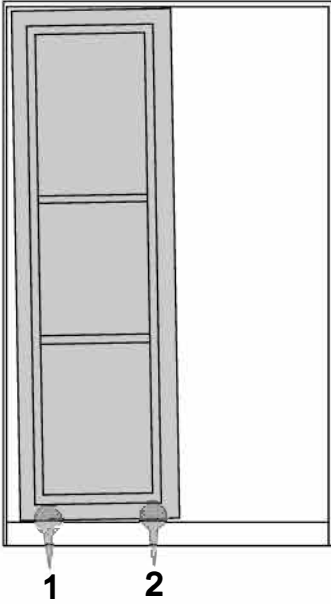
10)



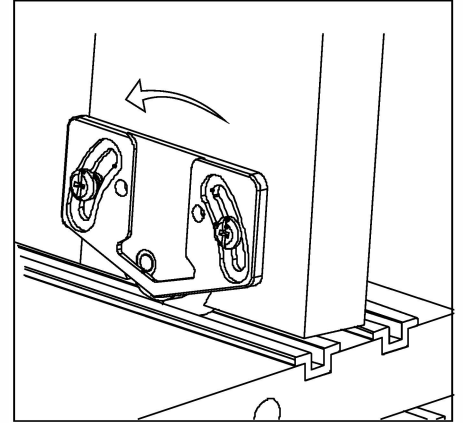
11)

Door Adjustments

If the door is tilting left

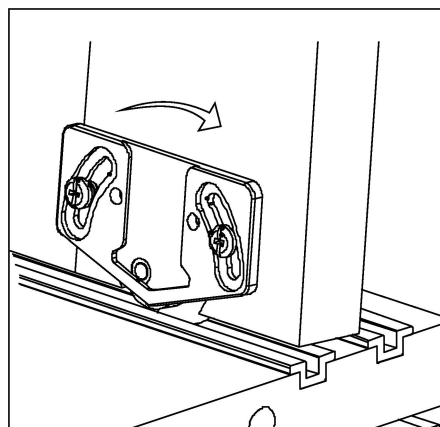
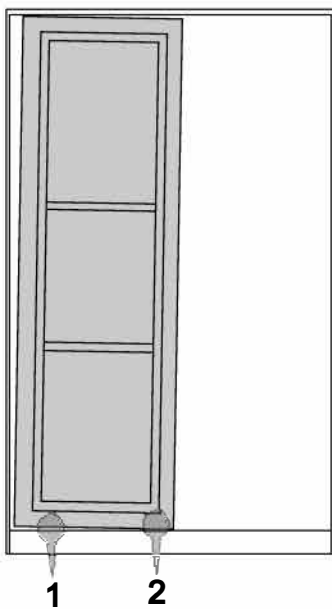


loosen the screws
and turn guide 1
clockwise

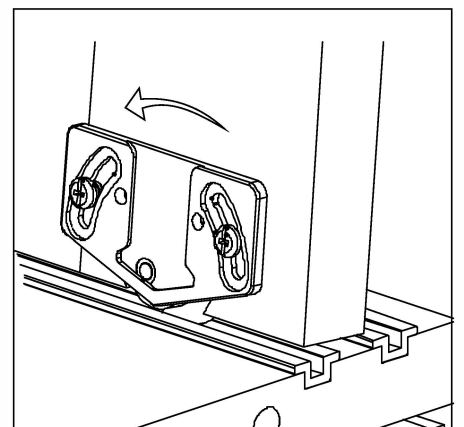


loosen the screws
and turn guide 2
counterclockwise

If the door is tilting right



loosen the screws
and turn guide 1
counterclockwise



loosen the screws
and turn guide 2
clockwise