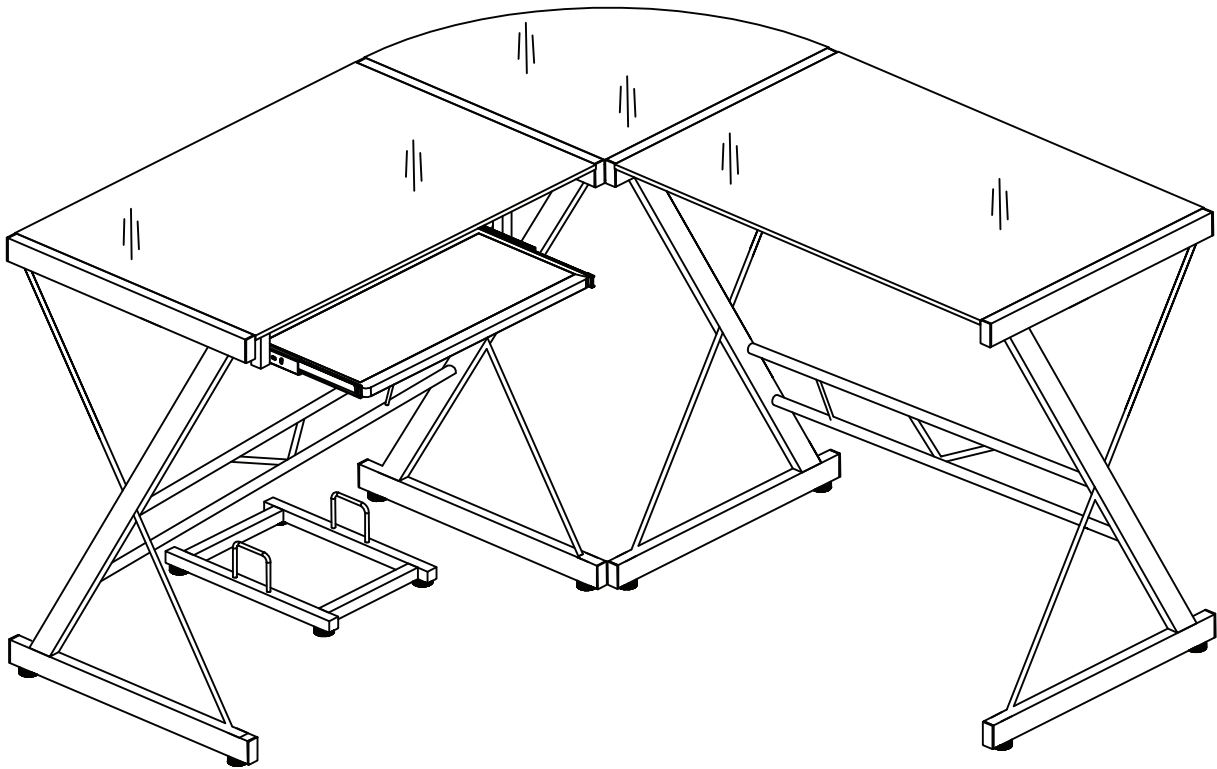


# ASSEMBLY INSTRUCTIONS

MODEL # 50-JN110400

SUPPLIER CODE: JNFF

## ULTRAMODERN GLASS L-SHAPE DESK



### CUSTOMER SERVICE

For fastest service on claims, requests for replacement parts, or questions, please visit our website at

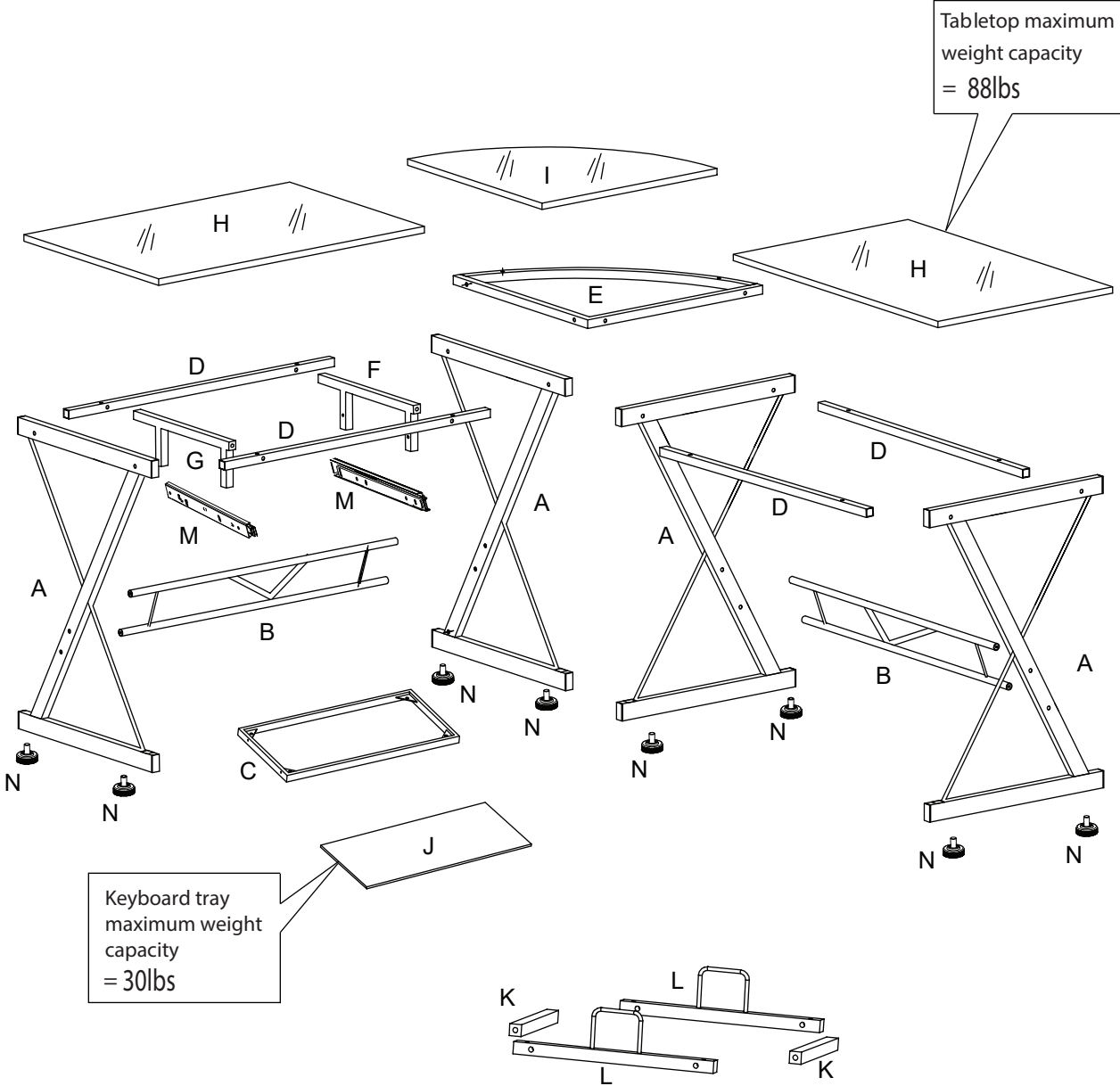
[www.comfortproducts.net/support](http://www.comfortproducts.net/support)

e-mail: [customerservice@comfortproducts.net](mailto:customerservice@comfortproducts.net)

Keep your sales receipt as documentation of your ownership.


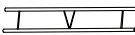


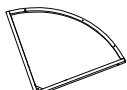
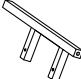
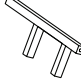

# ASSEMBLY OVERVIEW



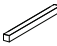
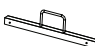
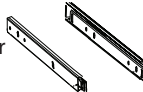

Tabletop maximum weight capacity = 88lbs









# PARTS AND HARDWARE LIST (50-JN110400)

EXTRA HARDWARE INCLUDED FOR YOUR CONVENIENCE. ITEMS ARE NOT SHOWN TO SCALE.

PART	DESCRIPTION	STOCK NO	QTY
A	Leg 	51-JN110400LG	4
B	Lower crossbar 	51-JN110400LC	2
C	Keyboard tray frame 	51-JN110400TF	1
D	Upper crossbar 	51-JN110400UC	4
E	Corner frame 	51-JN110400CF	1
F	Keyboard tray support Right 	51-JN110400TSR	1
G	Keyboard tray support Left 	51-JN110400TSL	1
H	Glass 	51-JN110400GL	2

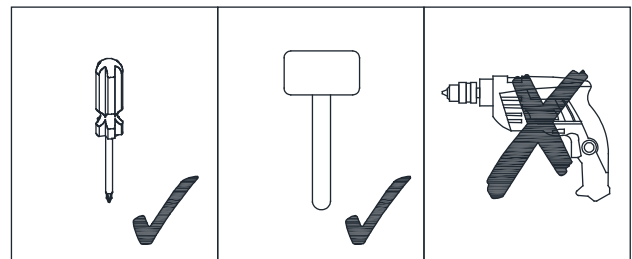
PART	DESCRIPTION	STOCK NO	QTY
I	Corner glass 	51-JN110400CG	1
J	Keyboard tray glass 	51-JN110400TG	1
K	Short bar for CPU stand 	51-JN110400SB	2
L	Long bar for CPU stand 	51-JN110400LB	2
M	Keyboard tray Slider 	51-JN110TS	2
N	M8 foot 	51-JN110FT	12

## HARDWARE KIT STOCK # 51-JN1104HA

PART	DESCRIPTION	QTY
①	M6X35MM 	20
②	Large rubber suction cups 	12
③	M6X55MM 	4
④	M4X12MM 	8
⑤	Small rubber suction cups 	4
⑥	Allen Key 	1
	Extra Hardware Pack (1-5)	1

## CAUTION

- READ THE INSTRUCTION MANUAL BEFORE ASSEMBLING.
- REMOVE ALL PIECES BEFORE BEGINNING INSTALLATION.
- OPEN THE HARDWARE AS NEEDED.
- ASSEMBLE IN AN AREA WITH PLENTY OF SPACE.
- READ EACH STEP BEFORE BEGINNING CONSTRUCTION.
- HAVE THE TOOLS BELOW BEFORE YOU BEGIN ASSEMBLING.
- NEVER FORCE THE SCREWS OR FITTINGS.
- KEEP THIS MANUAL FOR FUTURE REFERENCE.
- TIGHTEN ALL THE SCREWS EVERY 6 MONTHS.
- DO NOT SHIFT OR DRAG THE PRODUCT AFTER ASSEMBLY.
- THE FOLLOWING TOOLS ARE NOT INCLUDED.



## CLEANING AND CARE

- CLEAN SURFACES WITH A DRY OR DAMP CLOTH.
- DO NOT USE ABRASIVE CLEANERS.
- DO NOT USE FURNITURE WAX OR POLISH AS THE UNIT IS FINISHED WITH A PROTECTIVE CLEAR LACQUER.

## REPLACEMENT PARTS

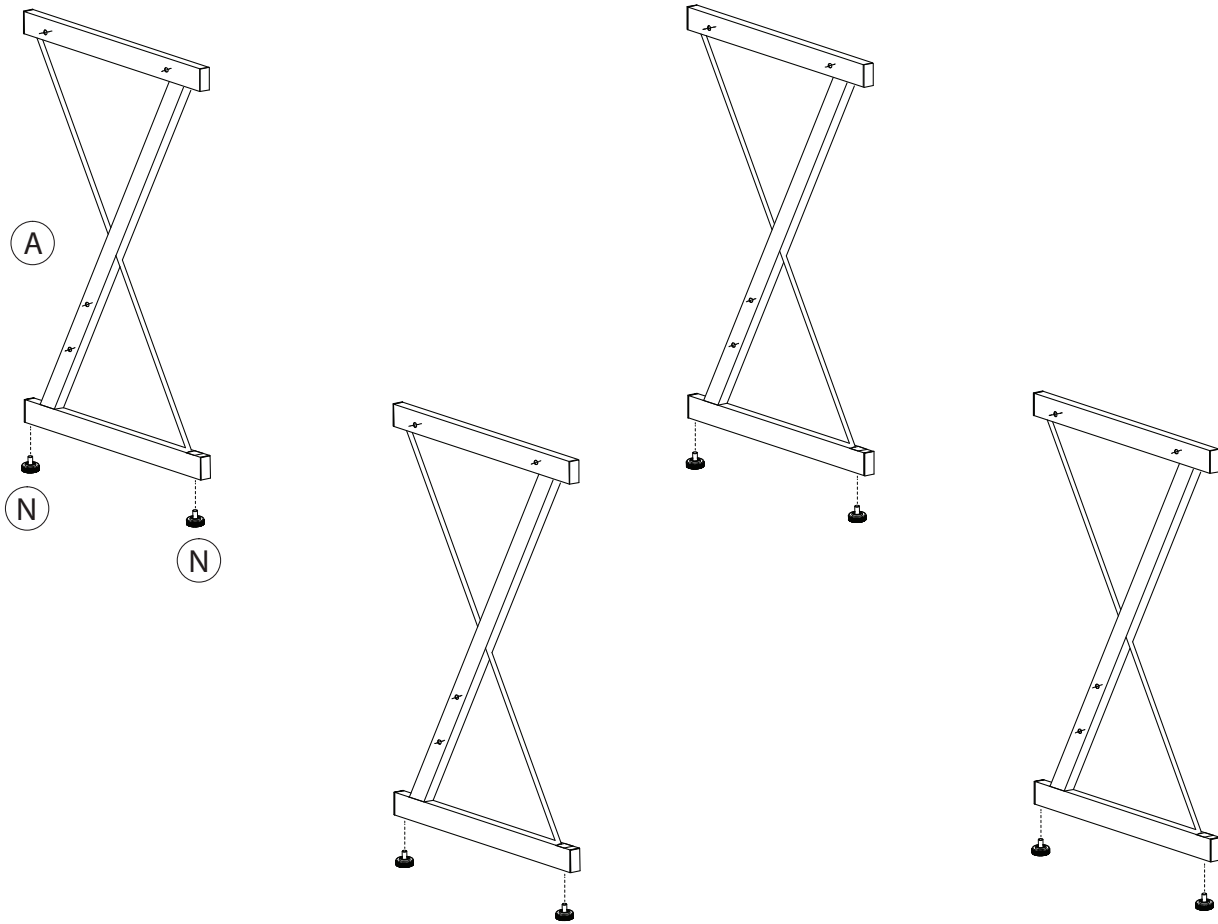
IF YOU ARE MISSING ANY OF THE PARTS ABOVE, OR IF YOU HAVE A DAMAGED PART, PLEASE VISIT [WWW.COMFORTPRODUCTS.NET/SUPPORT](http://WWW.COMFORTPRODUCTS.NET/SUPPORT). REFERENCE THE MODEL # ON THE FRONT OF THIS MANUAL. SIMPLY COMPLETE THE INFORMATION, INCLUDING THE PART YOU NEED. THE PART WILL NORMALLY BE SHIPPED WITHIN 48 HOURS.

# ASSEMBLY INSTRUCTION (50-JN110400)

DO NOT TIGHTEN SCREWS UNTIL COMPLETELY ASSEMBLED

## STEP 1

Attach Feet (N) to Legs (A).



## STEP 2

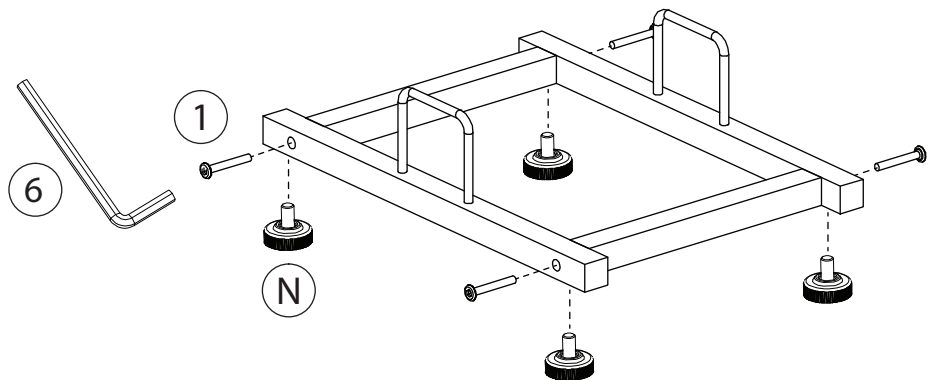
To assemble CPU stand, attach Long Bars (L) to Short Bars (K) using four Screws (1).

Attach four Feet (N) to Long Bars (L).

①



4 Pcs

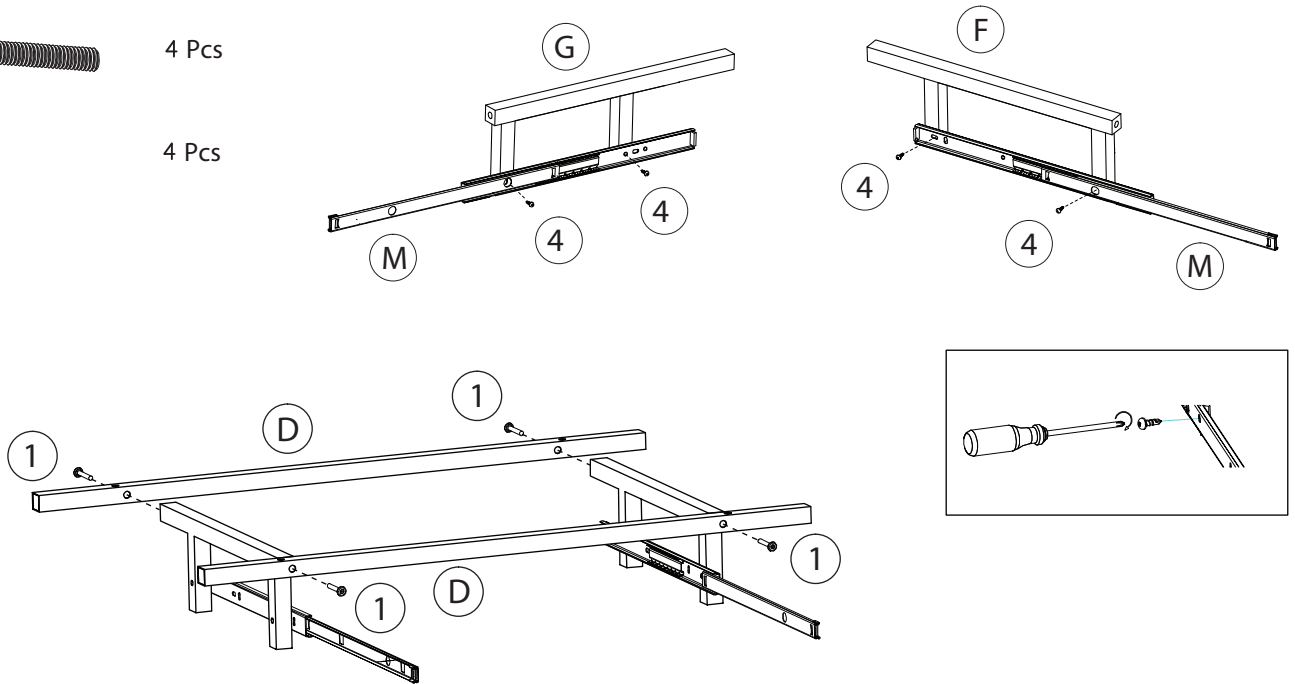


# ASSEMBLY INSTRUCTION (50-JN1 10400)

DO NOT TIGHTEN SCREWS UNTIL COMPLETELY ASSEMBLED

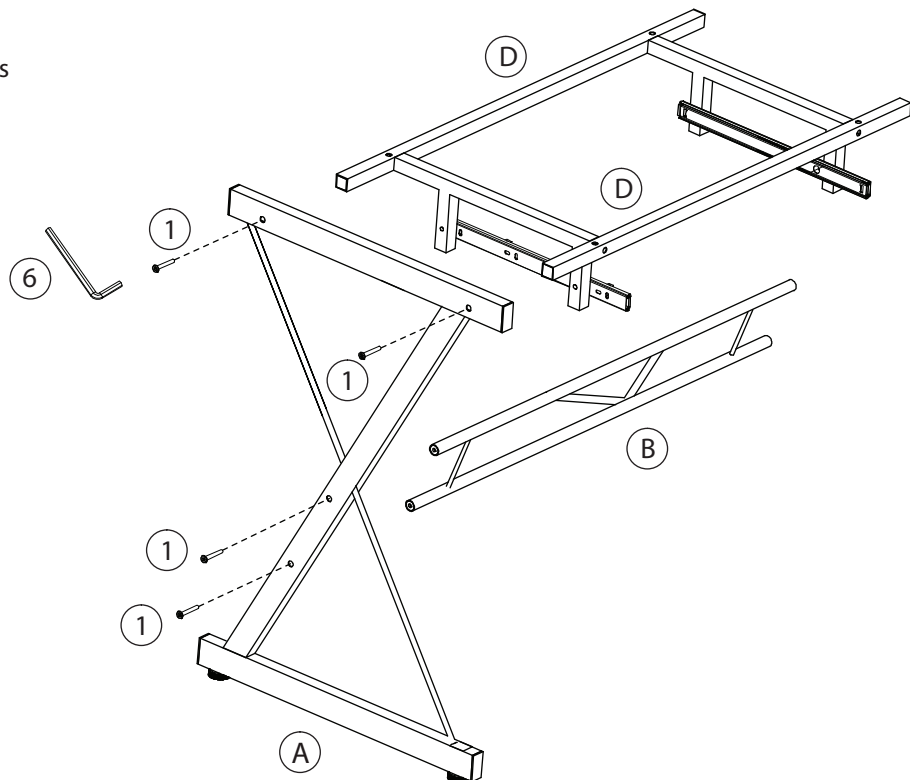
## STEP 3

Attach a Keyboard Tray Slider (M) to Keyboard Tray Support Right (F) and Keyboard Tray Support Left (G) using four Screws (4). Attach Keyboard Tray Support Right (F) and Keyboard Tray Support Left (G) to Upper Crossbar (D) using four Screws (1). Make sure holes for suction cups are facing up.



## STEP 4

Attach assembled section and Lower Crossbar (B) to Leg (A) using two Screws (1). Make sure leg and sliders are oriented as shown.

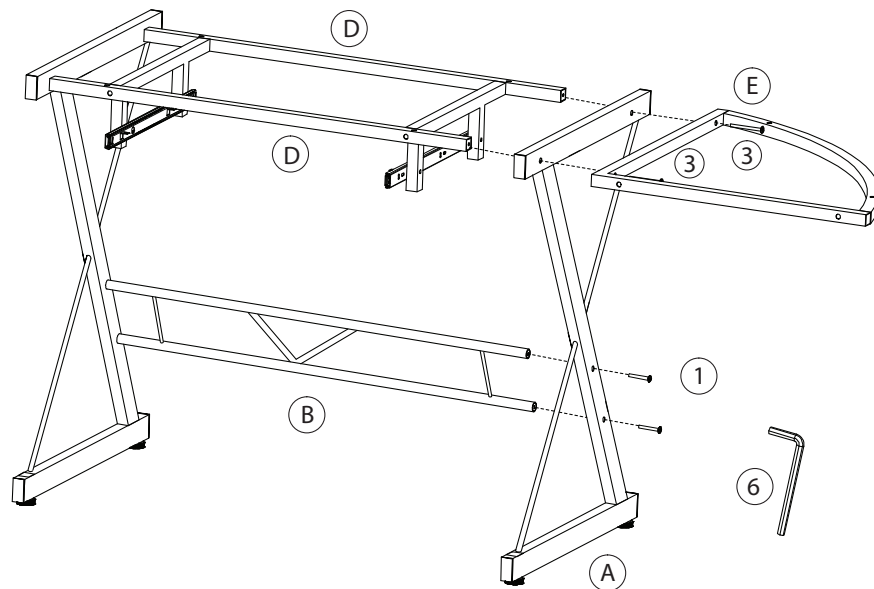


# ASSEMBLY INSTRUCTION (50-JN110400)

DO NOT TIGHTEN SCREWS UNTIL COMPLETELY ASSEMBLED

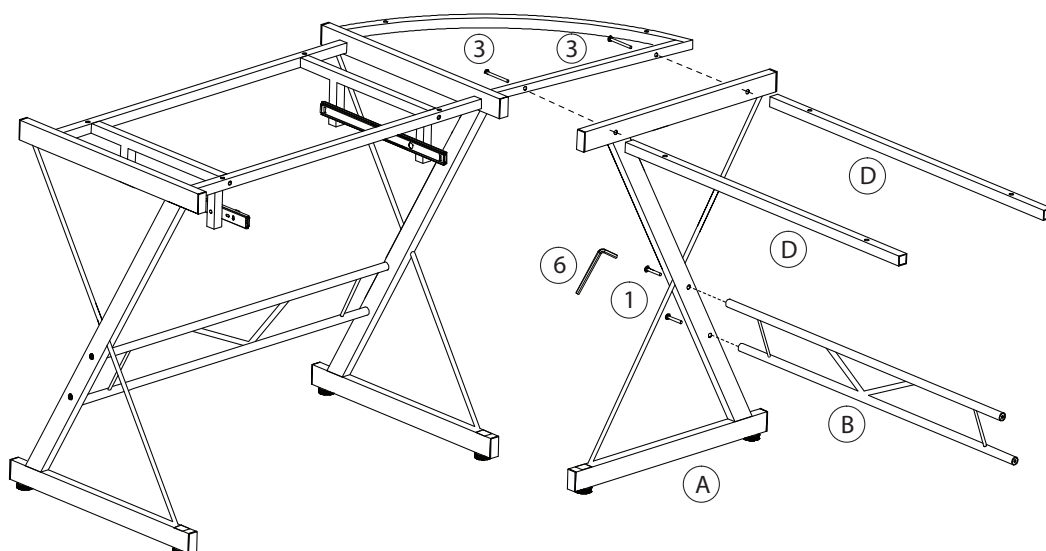
## STEP 5

Attach Corner Frame (E) to Leg (A) and Upper Crossbars (D) using two Screws (3).  
Attach Leg (A) to Lower Crossbar (B) using two Screws (1).



## STEP 6

Attach Upper Crossbars (D) and leg to Corner Frame (E) using two Screws (3).  
Attach Lower Crossbar (B) to leg using two Screws (1).



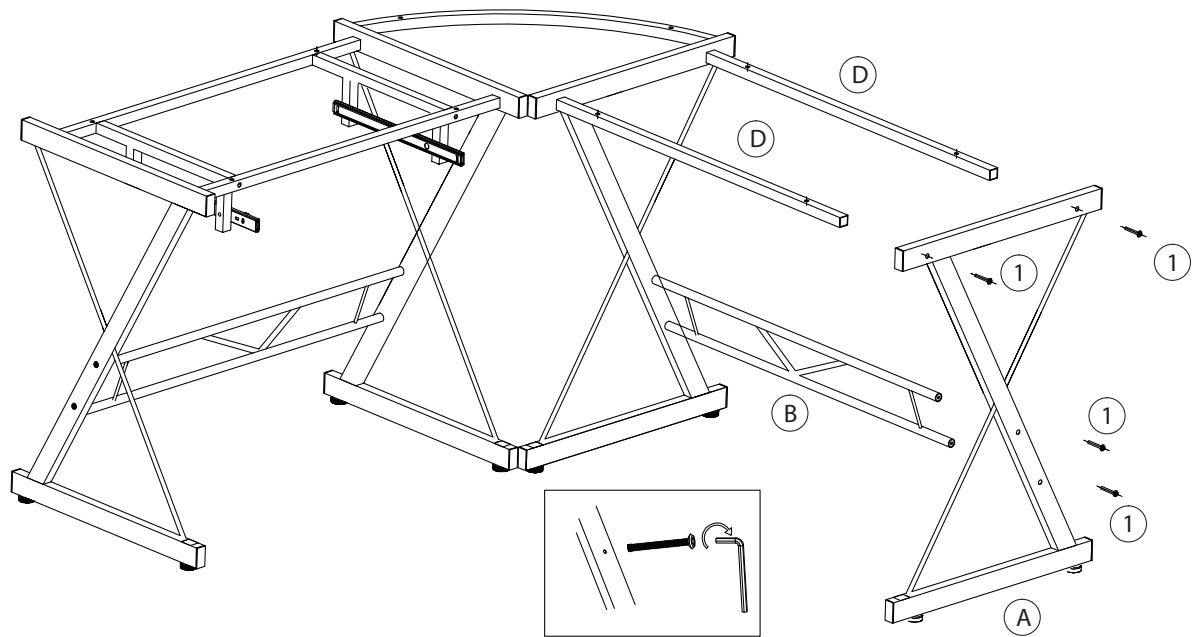
# ASSEMBLY INSTRUCTION (50-JN110400)

DO NOT TIGHTEN SCREWS UNTIL COMPLETELY ASSEMBLED

## STEP 7

Attach Leg (A) to Upper Crossbars (D) and Lower Crossbar (B) using four Screws (1).

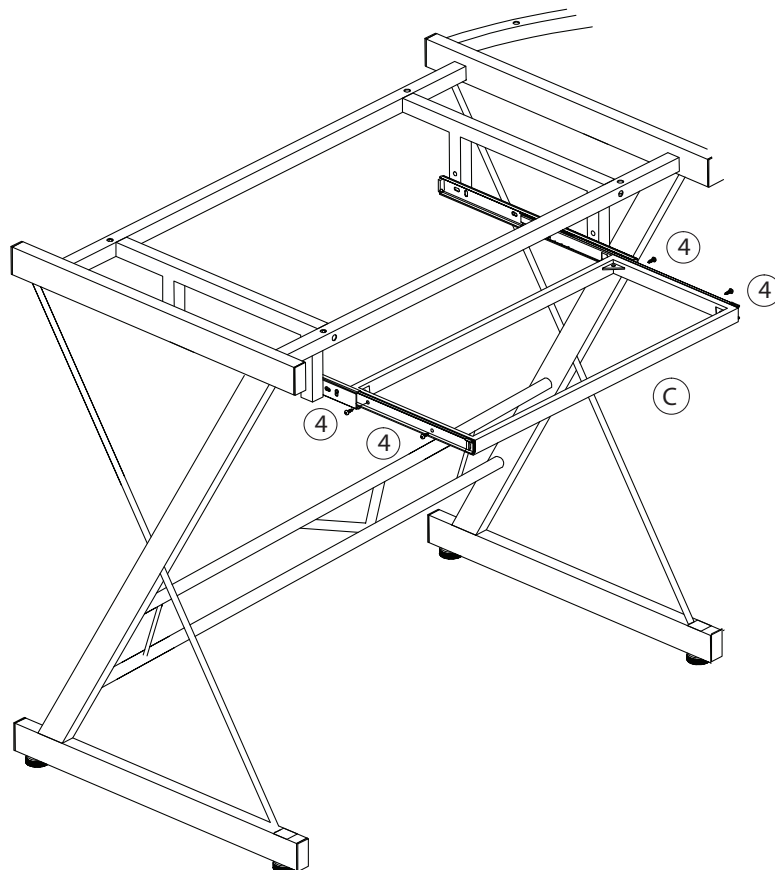
①  4 Pcs



## STEP 8

Attach Keyboard Tray Frame (C) to slides using four Screws (4).

④  4 Pcs



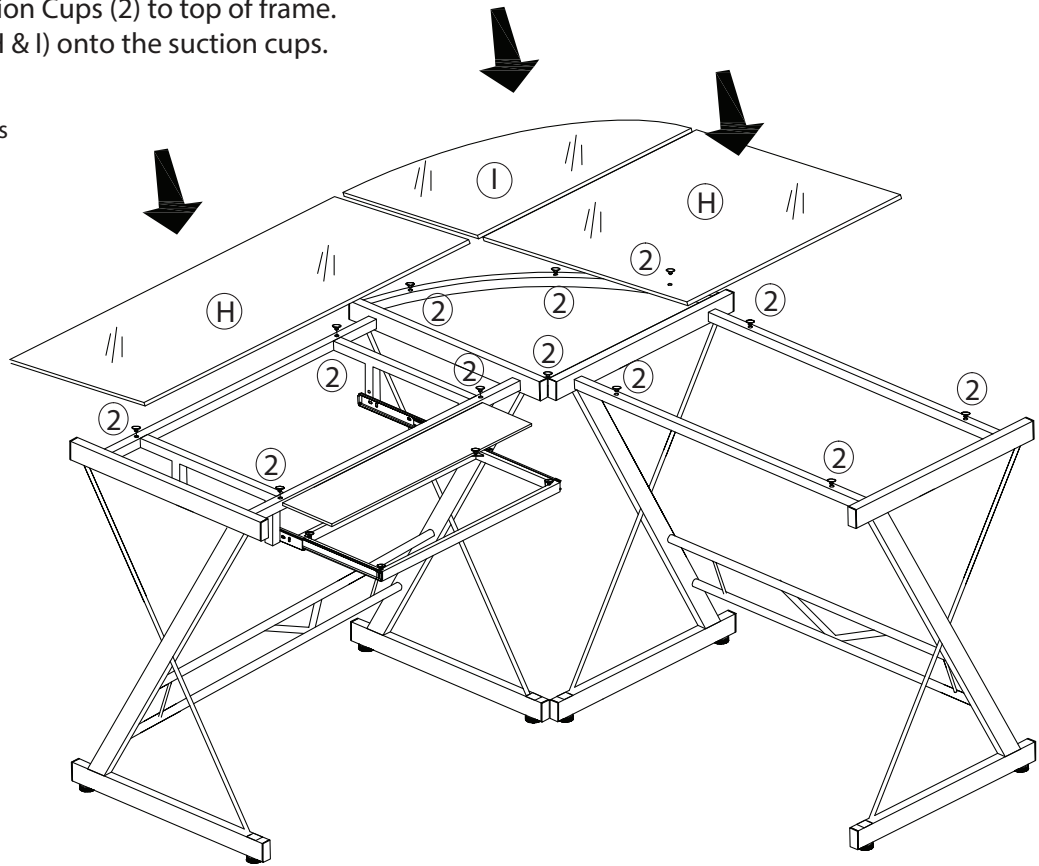
# ASSEMBLY INSTRUCTION (50-JN110400)

DO NOT TIGHTEN SCREWS UNTIL COMPLETELY ASSEMBLED

## STEP 9

Attach Large Rubber Suction Cups (2) to top of frame.  
Place three glass pieces (H & I) onto the suction cups.

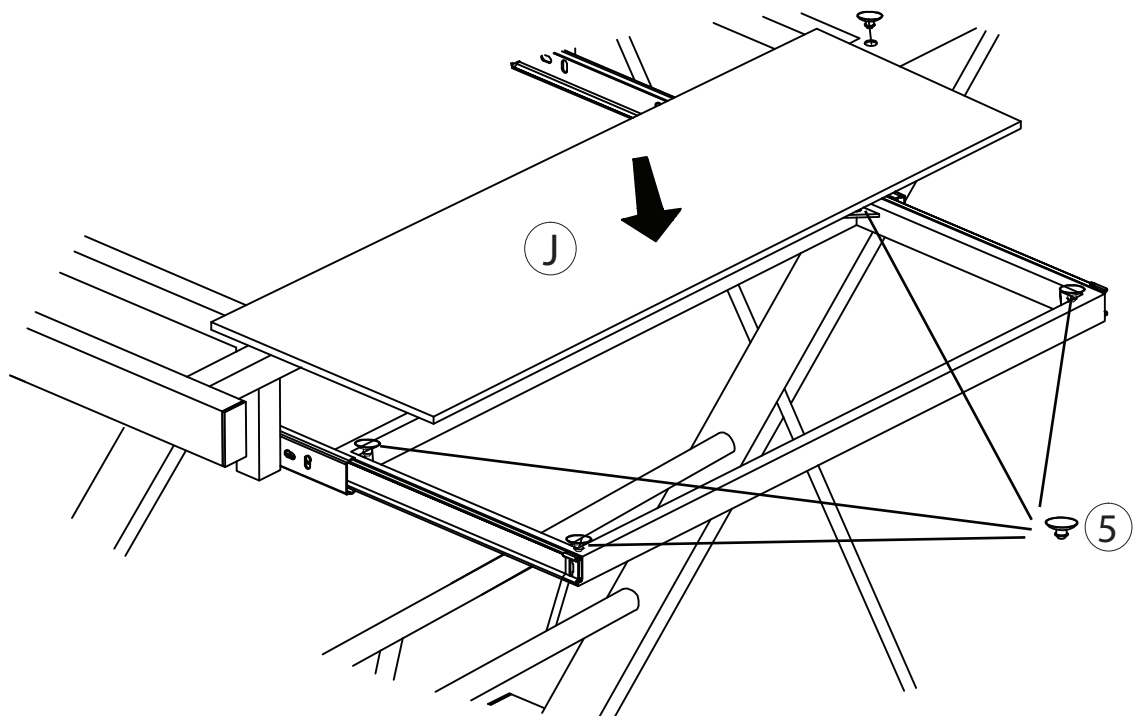
②  12 Pcs



## STEP 10

Attach Small Suction Cups (5) to tray frame.  
Place Keyboard Tray Glass (J) onto suction cups.

⑤  4 Pcs





# SAFETY AND MAINTENANCE

- DO NOT stand on the desk. Do not use the desk as a stepladder.
- DO NOT use the desk unless all bolts and screws are firmly secured.
- Every 6 months, check all bolts and screws to ensure they are tight.
- This product is California 93120 Compliant for Formaldehyde.

# LIMITED WARRANTY

PLEASE VISIT [WWW.COMFORTPRODUCTS.NET](http://WWW.COMFORTPRODUCTS.NET) FOR WARRANTY INFORMATION

Comfort Products warrants this product to be free from defects in material and workmanship for 1 year. This warranty is made by Comfort Products only to the original end-user customer acquiring the product directly from Comfort Products' authorized dealers as shown by the original sales receipt. The end-user customer remedy pursuant to this warranty is limited to repair or replacement of parts at Comfort Products' option within a reasonable amount of time. Comfort Products reserves the right to require damaged parts to be returned to Comfort Products upon request. Consent from Comfort Products must be obtained before any warranty work is performed. This warranty shall not apply to any products which must be replaced because of normal wear and tear, negligence, abuse, or "accident". This warranty applies under conditions of normal use and is not subject to defects caused by improper assembly or disassembly; defects occurring after purchase due to product modification, intentional damage, fire, misuse, negligence, or exposure to the elements. This warranty does not cover the cost of transportation or labor. In no event shall Comfort Products be liable in either tort or contract for any loss or direct, special, incidental, consequential or exemplary damages. This Limited Warranty is NOT applicable to end-user customers who use Comfort Products for rental purposes. This warranty applies only to end-user customers in the United States. All warranties are limited to the original purchaser for normal use. The weight capacity of the tabletop is 88 pounds and the capacity of the keyboard tray is 30 pounds. For claims or questions concerning this warranty, visit [www.comfortproducts.net/support](http://www.comfortproducts.net/support) or e-mail us at [customerservice@comfortproducts.net](mailto:customerservice@comfortproducts.net).

MODEL: 50-JN110400. MADE IN CHINA

Comfort Products, Inc.  
P.O. Box 999  
Memphis, TN 38101

[www.comfortproducts.net](http://www.comfortproducts.net)  
[customerservice@comfortproducts.net](mailto:customerservice@comfortproducts.net)



OneSpace™

OneSpace is a Trademark of Comfort Products, Inc.