



Crib + Changer Combo (5591) - Assembly and Operation Manual

Congratulations on purchasing a MDB Family product. This product will provide many years of service if you adhere to the following guidelines for assembly, maintenance and operation. This product is for residential use only. Any institutional use is strictly prohibited.

Please be sure to follow the instructions for proper assembly. Use a Phillips head screwdriver for assembling the crib in addition to the Allen wrench included in the hardware box. Do not use power screwdrivers. All of our products are made from natural woods. Please understand that natural woods have color variations which are the result of nature and not defects in workmanship.

DO NOT SUBSTITUTE PARTS. ALL MODELS HAVE THE SAME QUANTITY OF PARTS AND HARDWARE. YOUR MODEL MAY LOOK DIFFERENT FROM THE ONE ILLUSTRATED DUE TO STYLISTIC VARIATIONS.

⚠ WARNING!

READ ALL INSTRUCTIONS BEFORE USE OF THE CHANGING TABLE, ADD-ON CHANGING UNIT, OR CONTOURED CHANGING PAD.

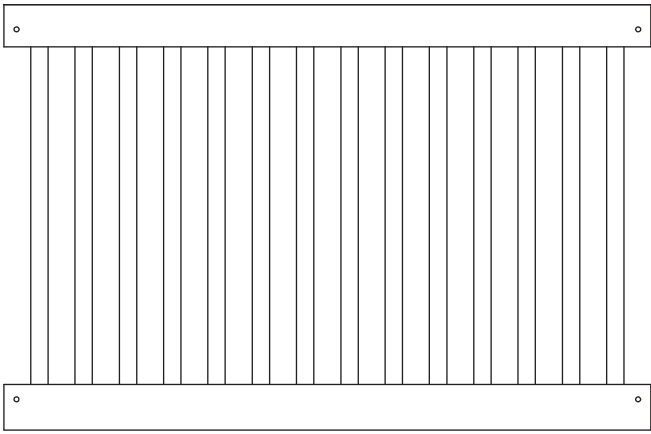
!!PLEASE READ!!

Assembly of this furniture is easier with two people. Assemble furniture on debris free carpets or on the enclosed foam sheets to prevent scratching of finish. Using any power tools to assemble this furniture may potentially strip the wood. **DO NOT OVERTIGHTEN SCREWS. DO NOT USE THE CHANGING TABLE IF IT IS DAMAGED OR BROKEN.**

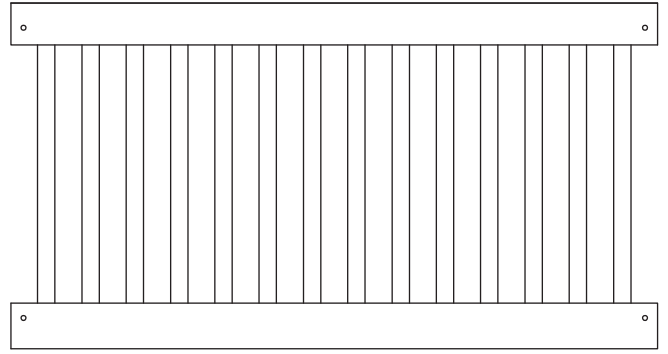


* The crib can later be converted into a toddler bed or a full-size bed. To convert to a toddler bed, turn to page 16. To convert to a full-size bed, turn to page 17.

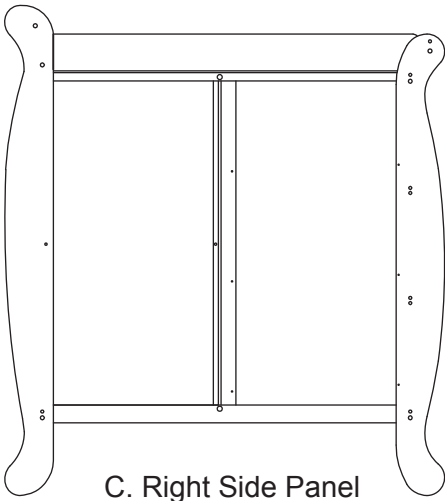
PARTS



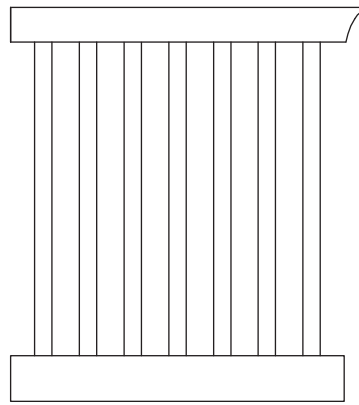
A. Back Panel



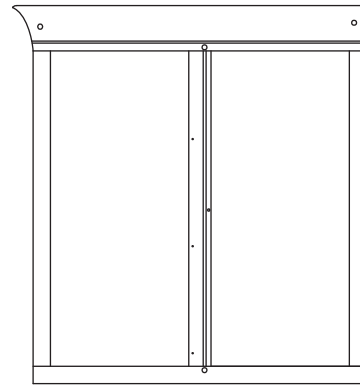
B. Front Panel



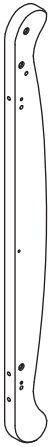
C. Right Side Panel



D. Left Side Panel



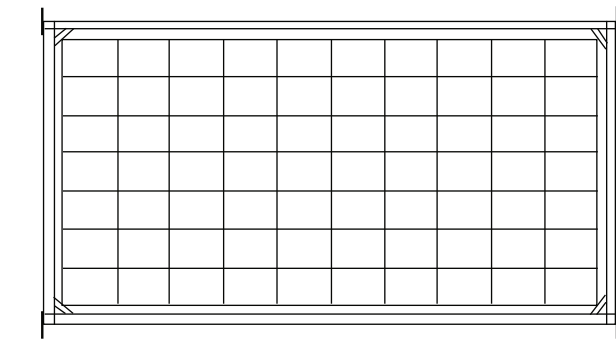
E. Center Panel



F-1. Right Back Post



H. Crib Top Panel X 2



K. Spring Frame



F-2. Left Back Post



F-3. Back Post



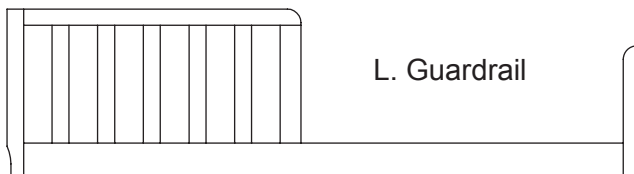
G-1. Right Front Post



G-2. Left Front Post



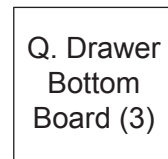
G-3. Front Post



L. Guardrail



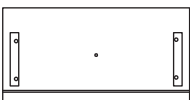
P. Drawer Back (3)



Q. Drawer Bottom Board (3)



R. Dresser Back Top Panel



M. Drawer Front (3)



N. Right Drawer Panel (3)



O. Left Drawer Panel (3)



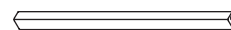
S. Dresser Back Panel



T. Dresser Front Top Bar



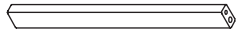
U. Dresser Center Bar (2)



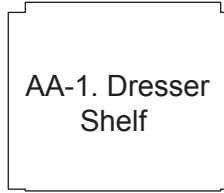
V. Dresser Middle Bar (2)



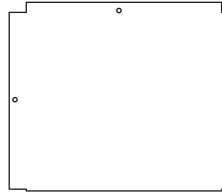
W. Dresser Top Bar



X. Dresser Bottom Bar (2)



AA-1. Dresser Shelf

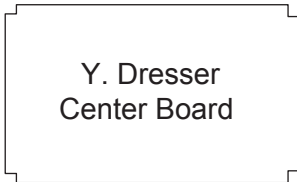


AA-2. Dresser Shelf (with pre-drilled screw holes)

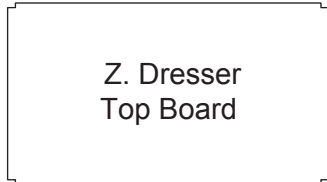


Tools Needed
(not included)

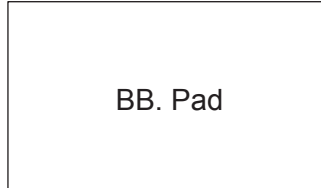
Phillips
screwdriver



Y. Dresser Center Board

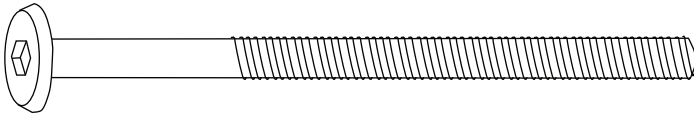


Z. Dresser Top Board

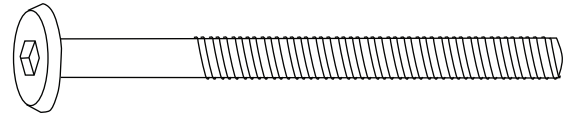


BB. Pad

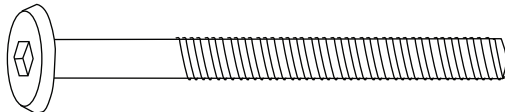
HARDWARE



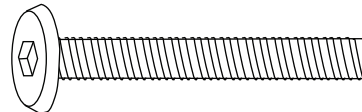
H1. 3 -1/2" Allen Head Bolt (8)



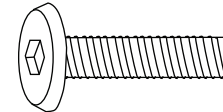
H2. 2 -3/4" Allen Head Bolt (2)



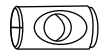
H3. 2 -1/2" Allen Head Bolt (16)



H4. 1 -3/4" Allen Head Bolt (8)



H5. 1" Allen Head Bolt (4)



H6. Barrel Nut (24)



H7. 1-1/4" Wood Screw (24)



H9. 1" Metal Pin (20)



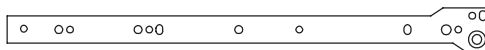
H13. 1/2" Small Wood Screw for Glides (36)



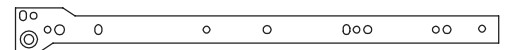
H14. 1-1/8" Bolt for Knob (3)



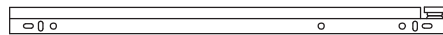
H15. Knob (3)



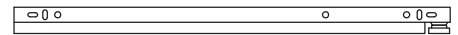
H16. Right Panel Glide (3)



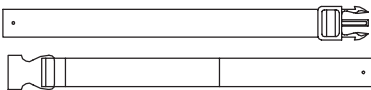
H18. Left Panel Glide (3)



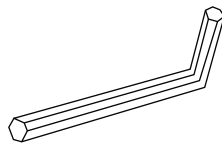
H17. Right Drawer Glide (3)



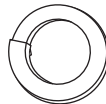
H19. Left Drawer Glide (3)



H20. Strap



H24. Allen Wrench



H25. Lock washer (38)



H26. Washer (4)

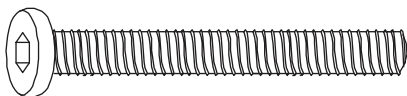


H27. 7/8" Wood Screw (2)



H21. Wood Screw (2)

GUARDRAIL HARDWARE



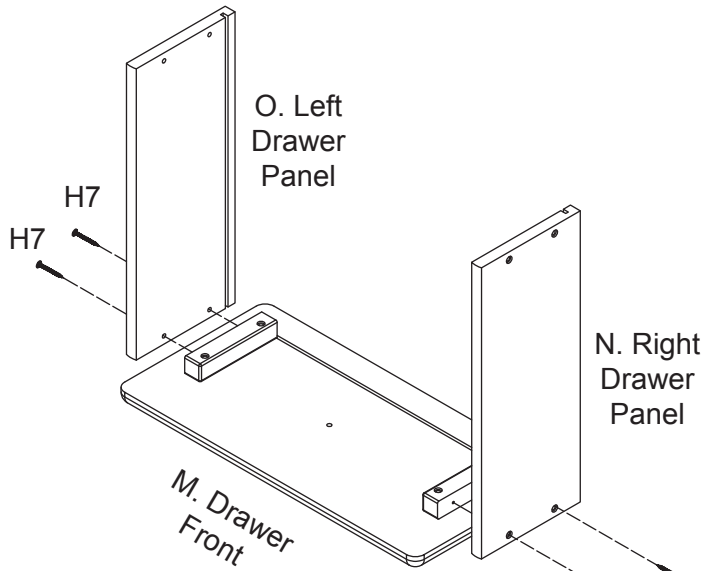
H22. 2" Allen Head Bolt (4)



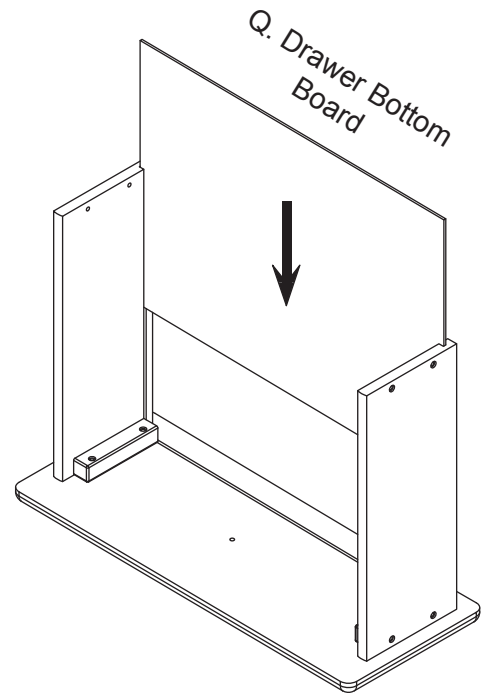
H23. Lock washer (4)

STEP 1. Assemble all drawers

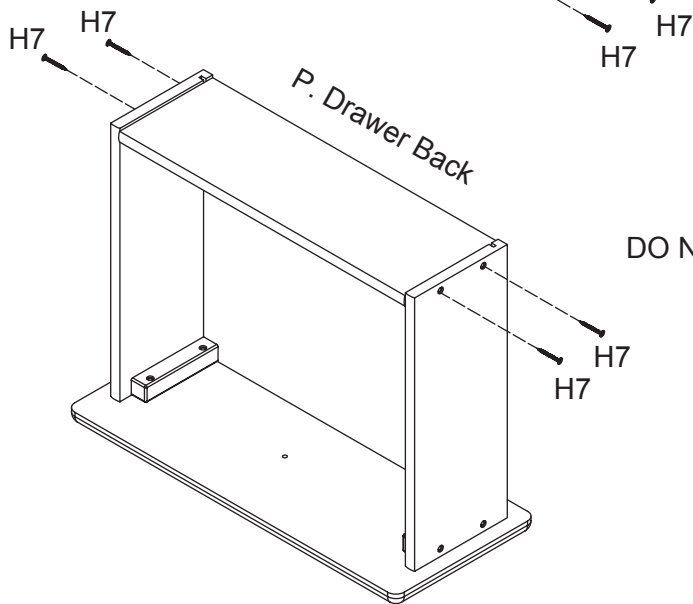
1A



1B

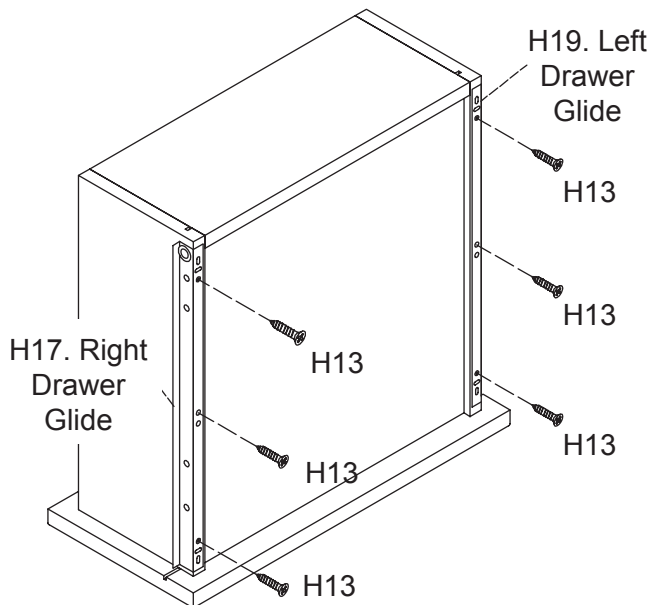


1C

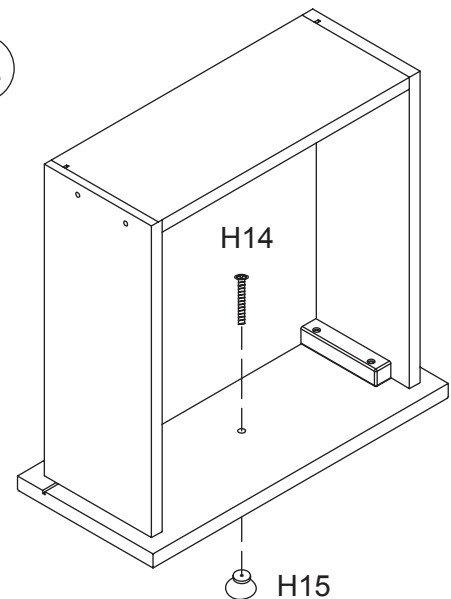


DO NOT OVERTIGHTEN.

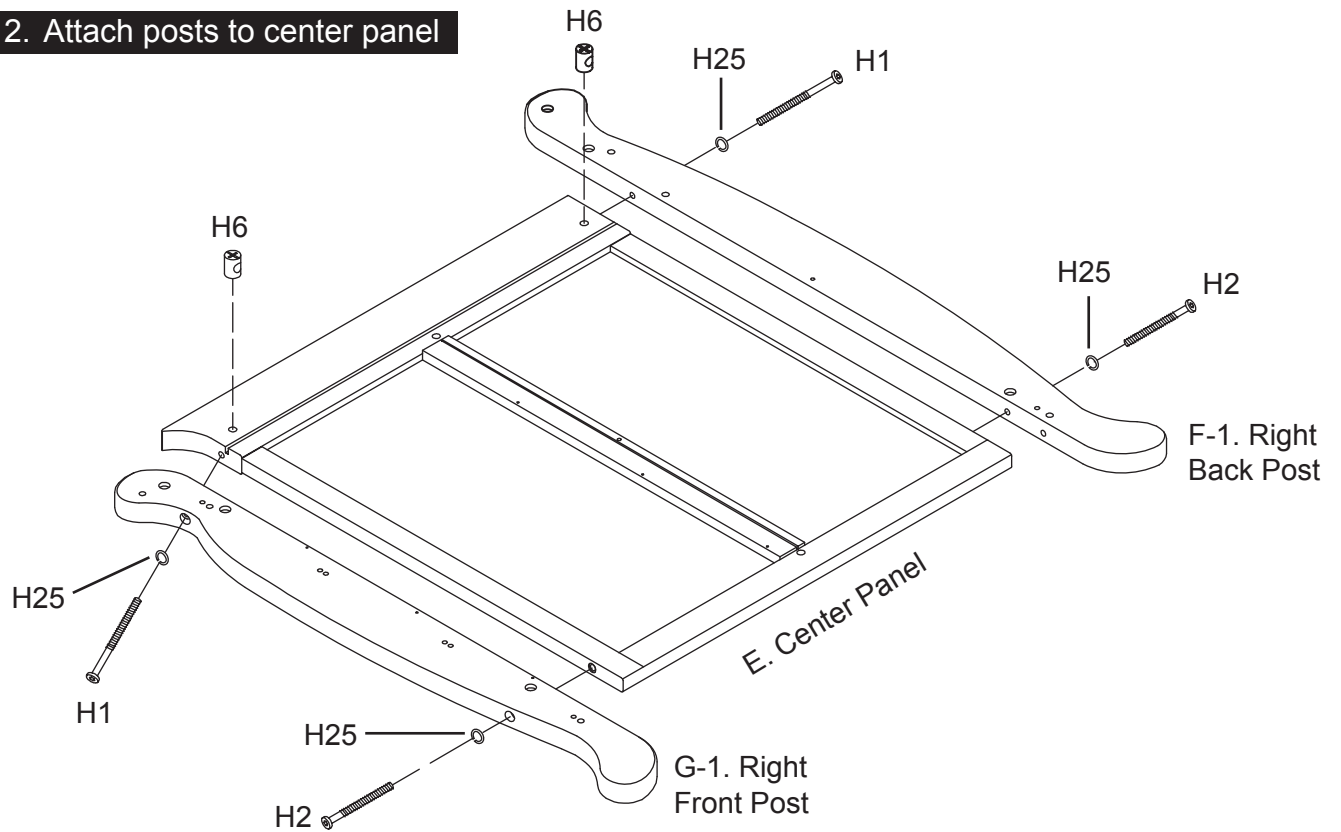
1D



1E

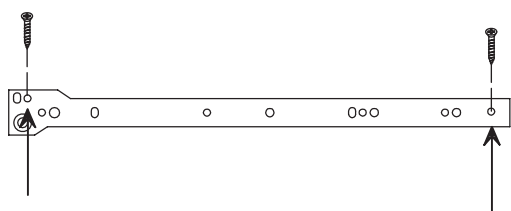
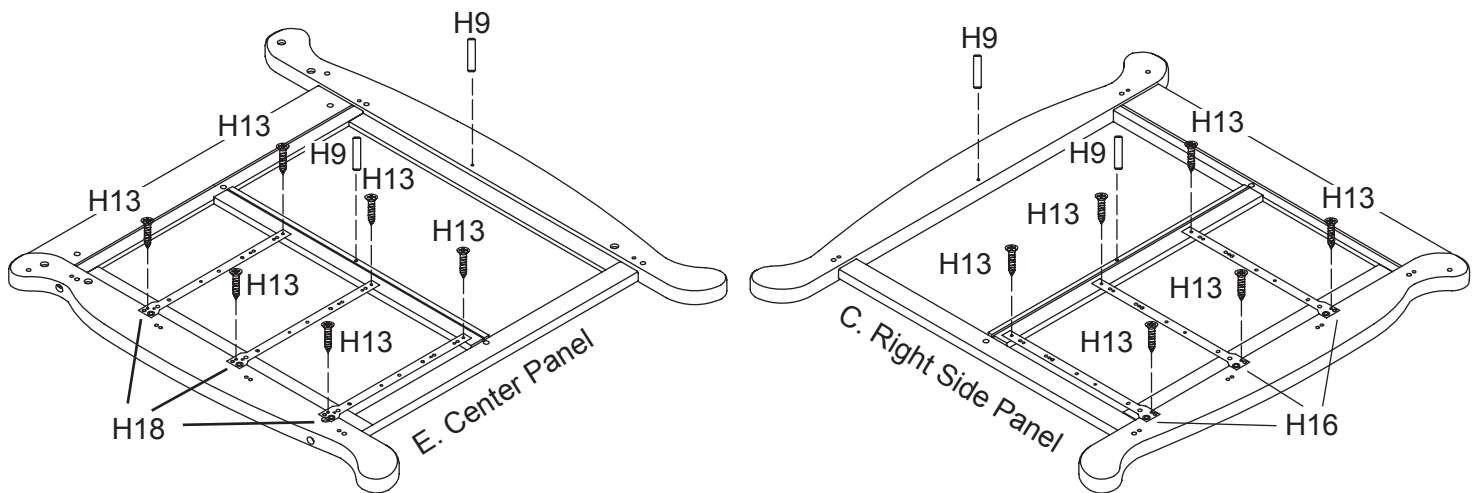


STEP 2. Attach posts to center panel

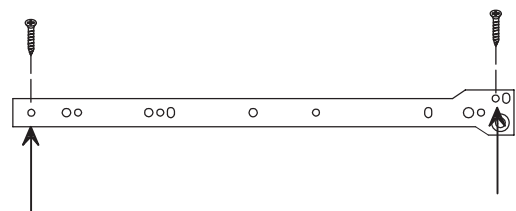


DO NOT OVERTIGHTEN.

STEP 3. Attach panel glides and metal pins to center and right side panel

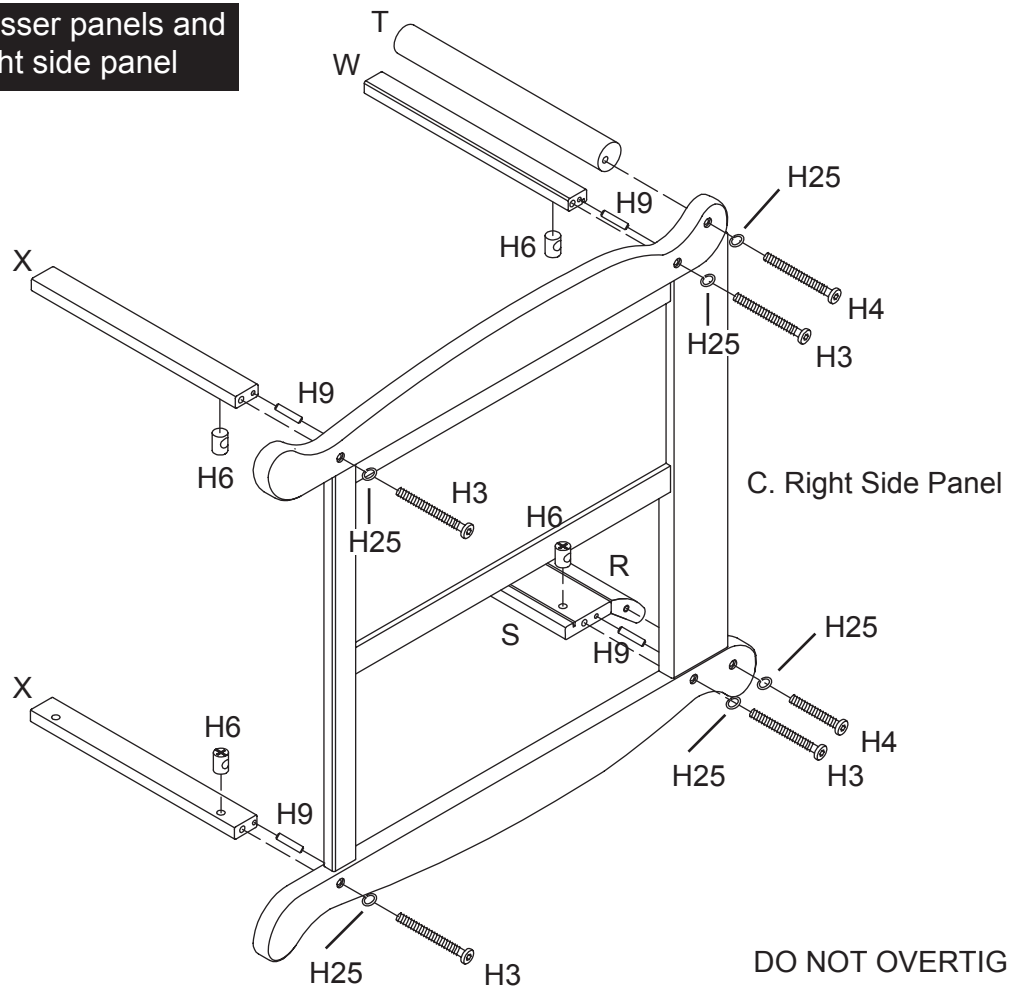


H18. Left Panel Glide

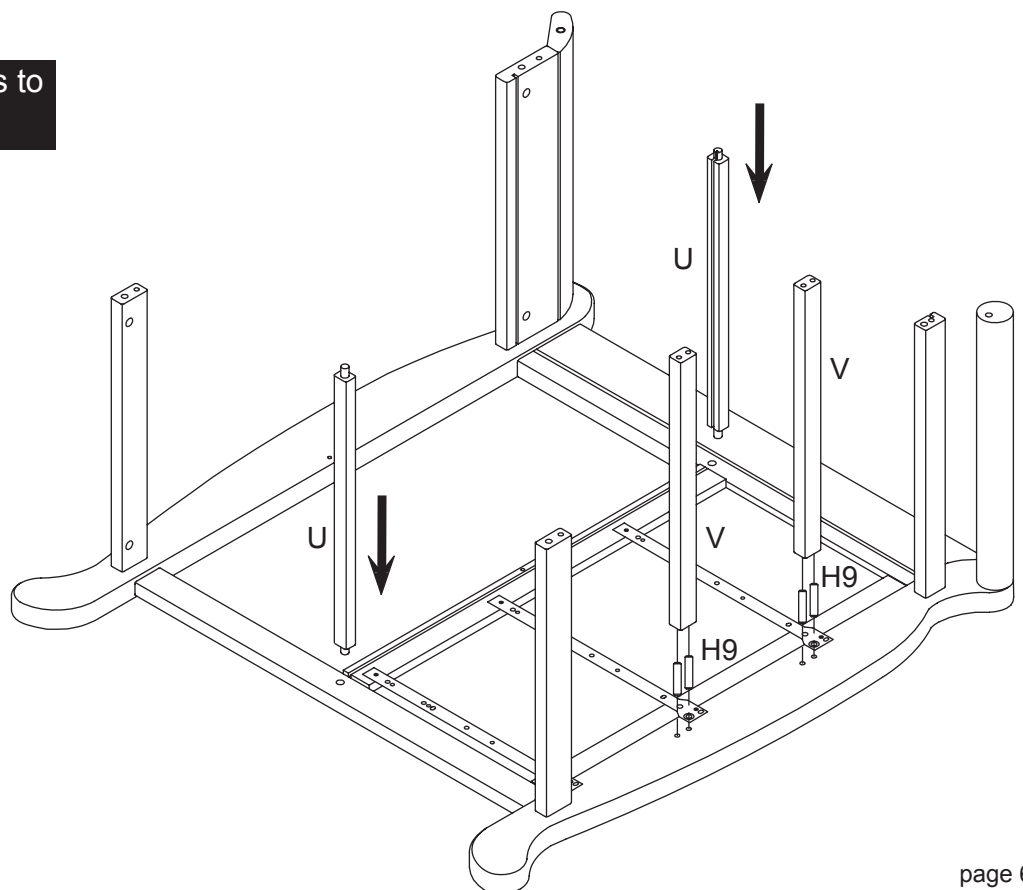


H16. Right Panel Glide

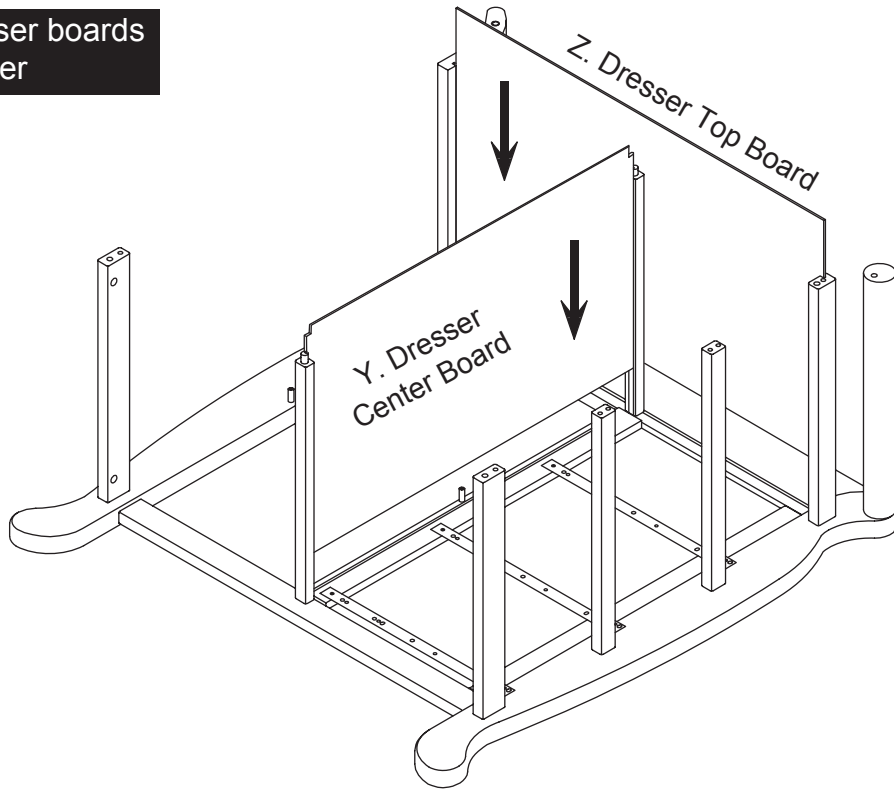
STEP 4. Attach dresser panels and bars to right side panel



STEP 5. Attach dresser bars to right side panel

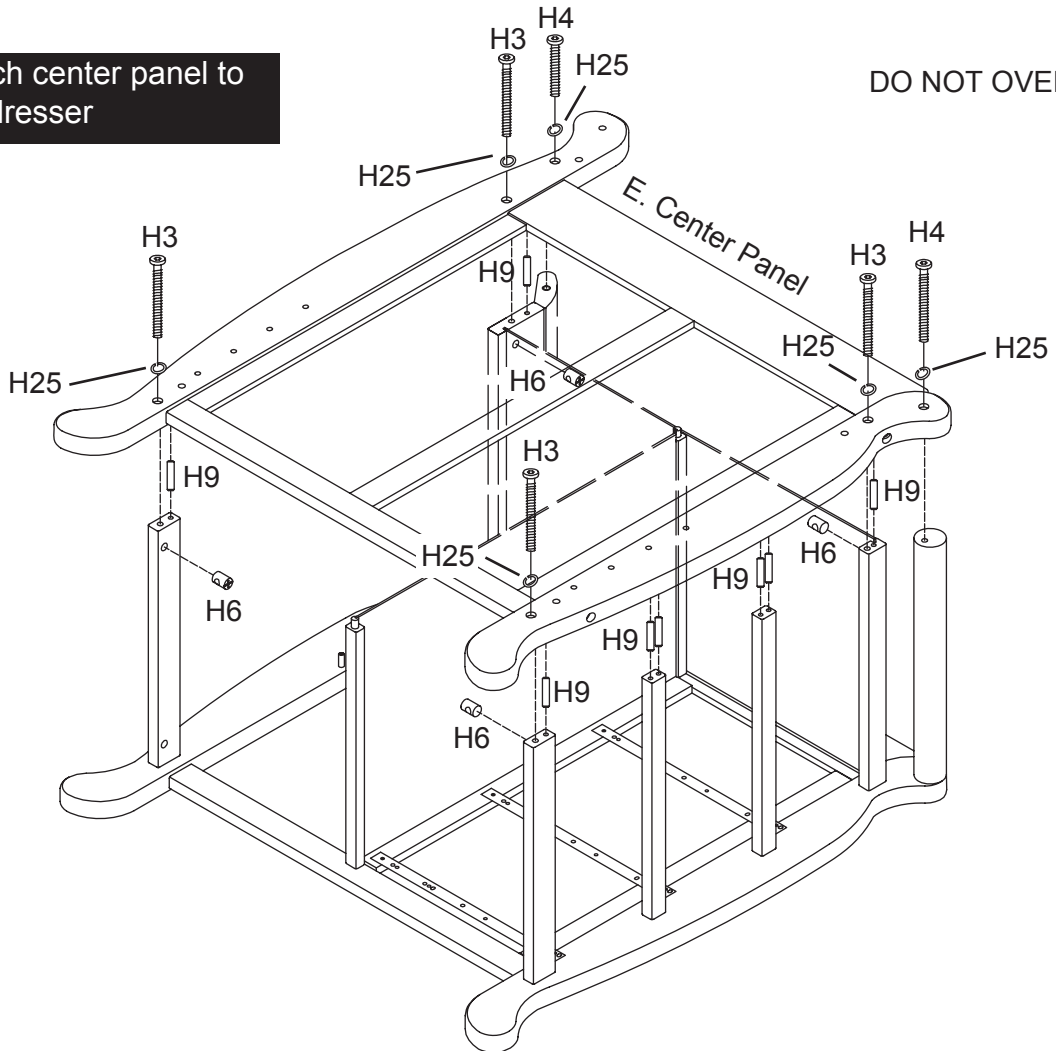


STEP 6. Attach dresser boards to the dresser

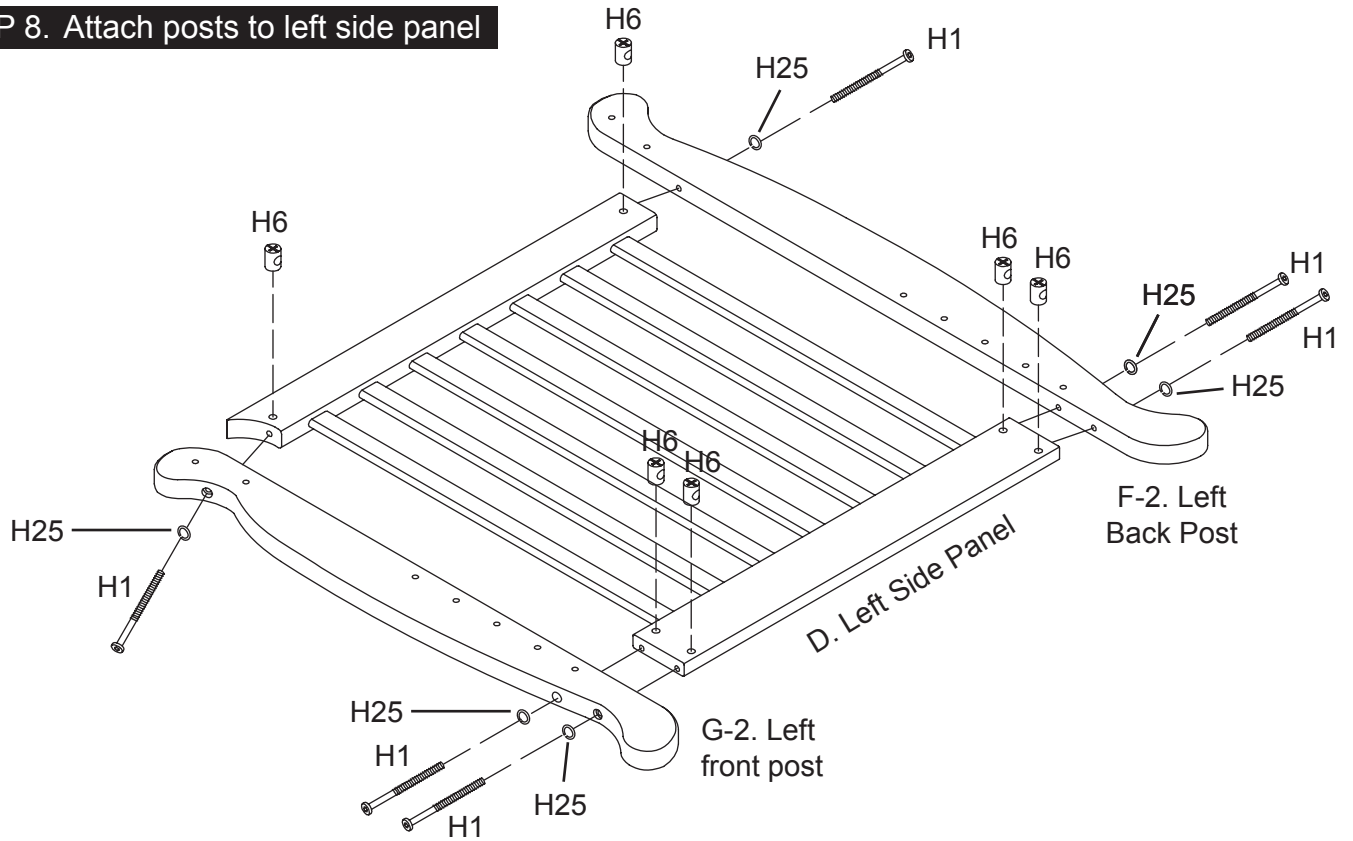


STEP 7. Attach center panel to the dresser

DO NOT OVERTIGHTEN.



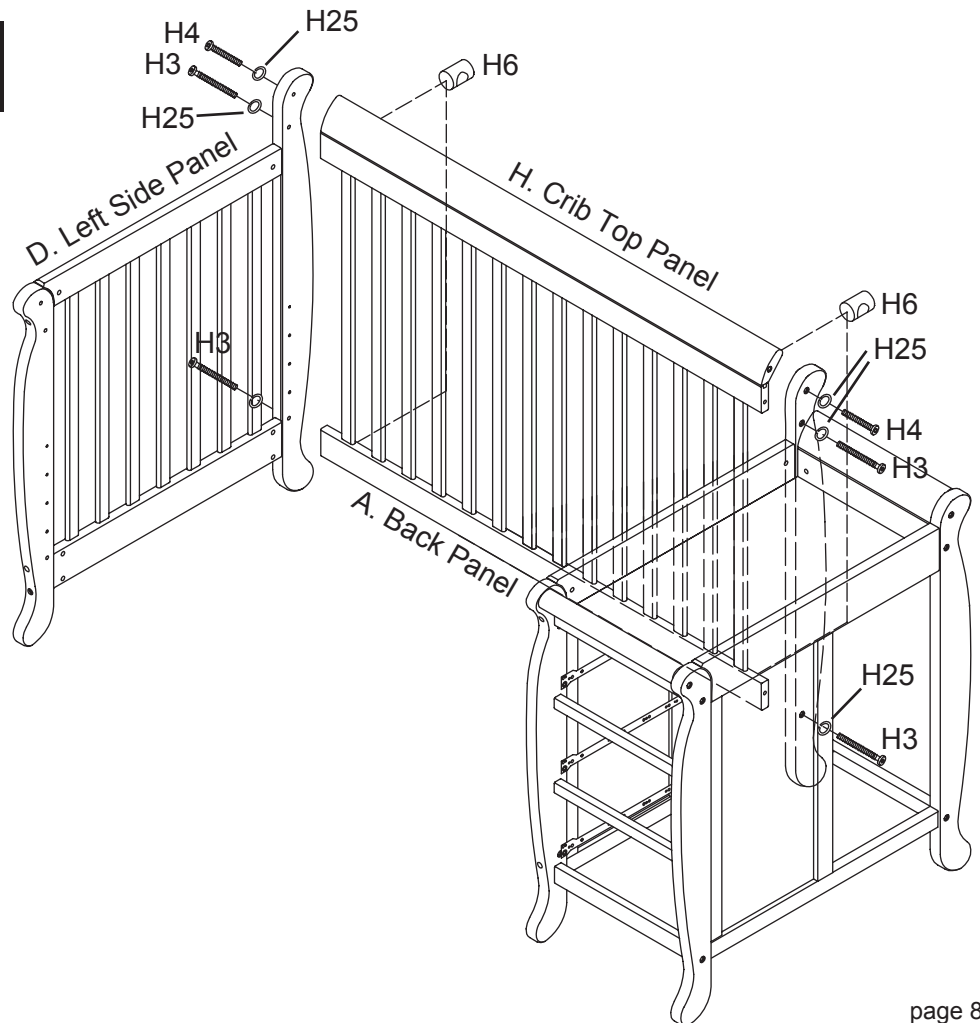
STEP 8. Attach posts to left side panel



DO NOT OVERTIGHTEN.

STEP 9. Attach the crib top panel and back panel

DO NOT OVERTIGHTEN.



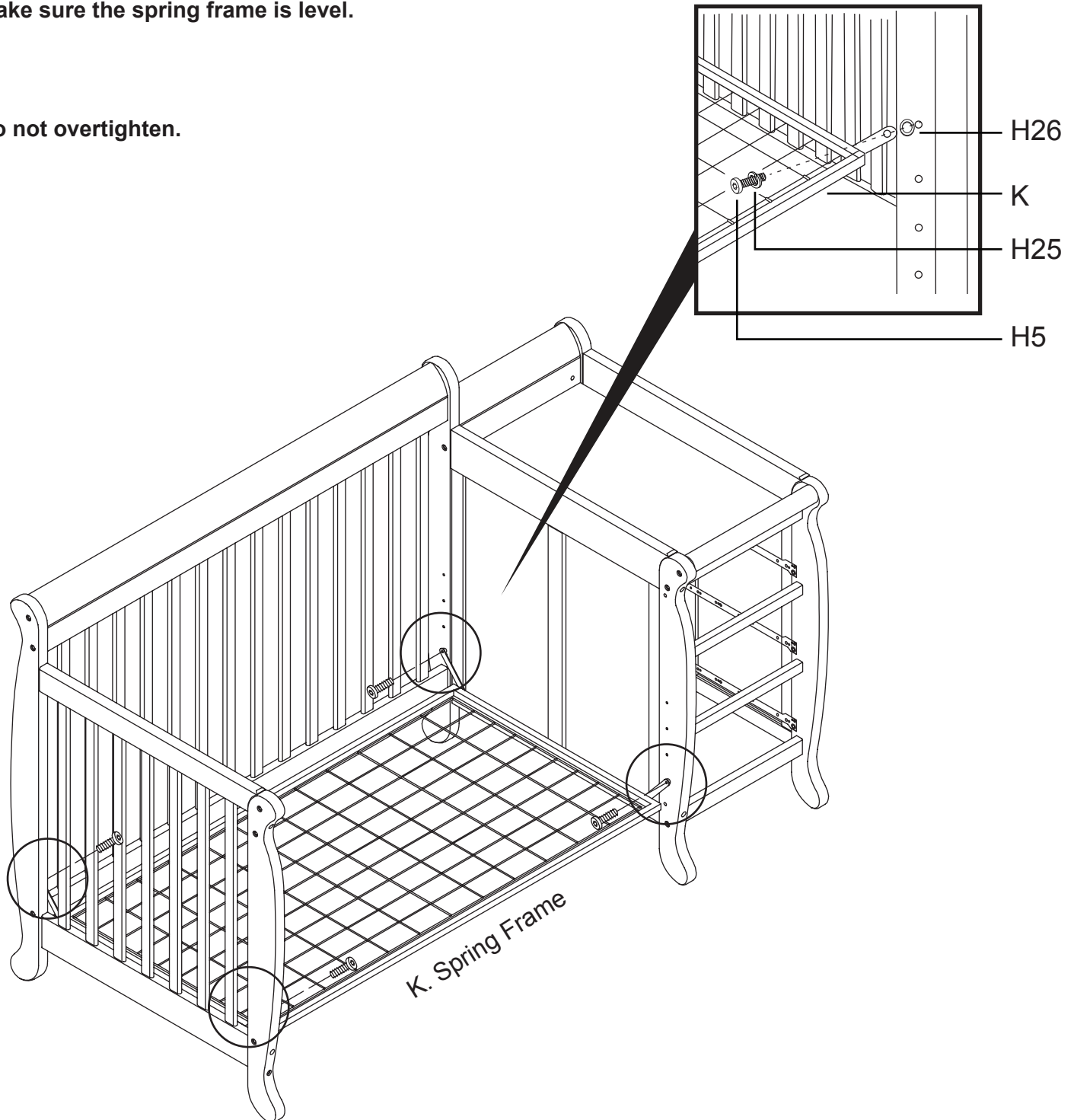
STEP 10. Attach spring frame

Swing out four hangers at corner of the spring frame (K) carefully. Attach spring frame **FLAT SIDE UP**. Choose the height of the spring frame. Start at the highest level and adjust accordingly.

Bolt the spring frame (K) to legs using Allen head bolts (H5), washers (H26), lock washers (H25) and Allen wrench (H24). As the child grows, it is important to lower the spring.

Make sure the spring frame is level.

Do not overtighten.

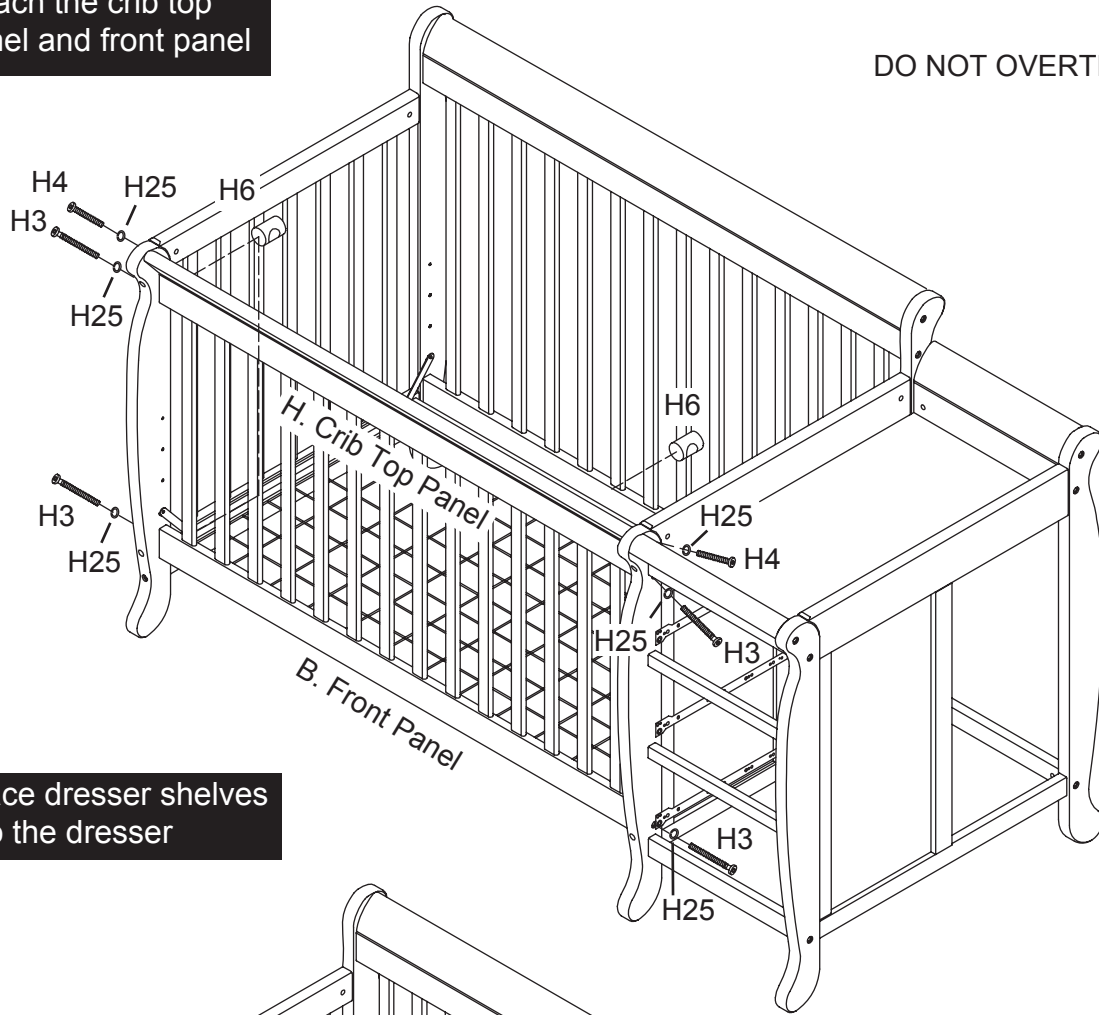


Make sure the mattress support frame is installed FLAT SIDE UP. Make sure the mattress support frame is level when installing.

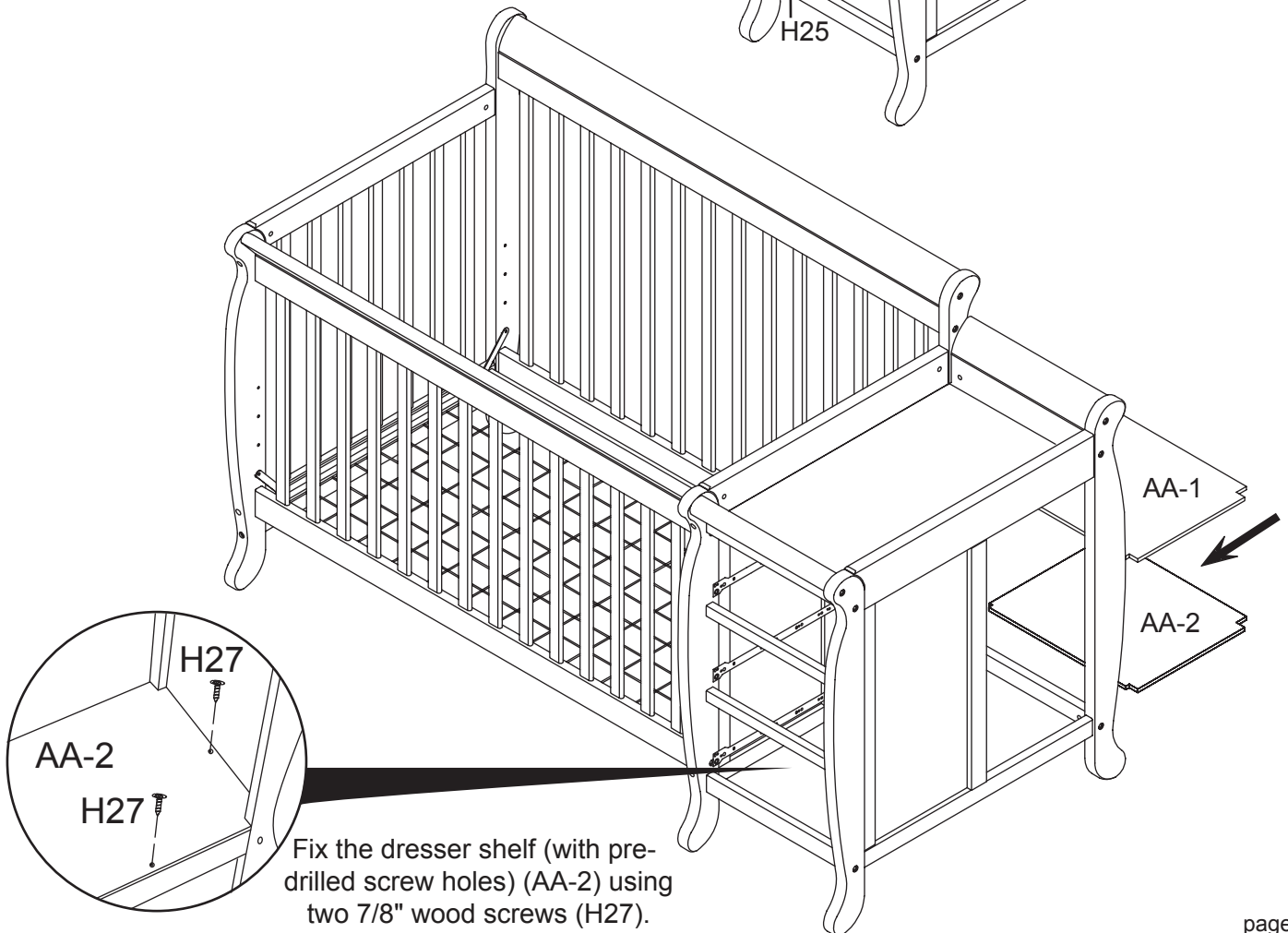
***As your child grows, it is important to lower the mattress support.**

STEP 11. Attach the crib top panel and front panel

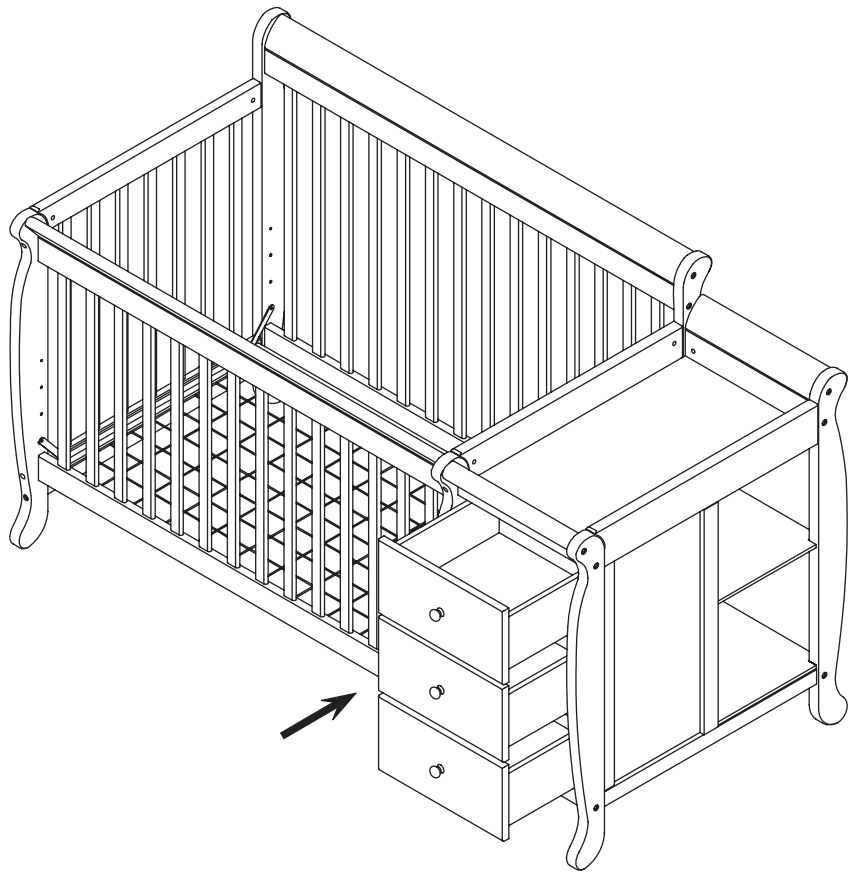
DO NOT OVERTIGHTEN.



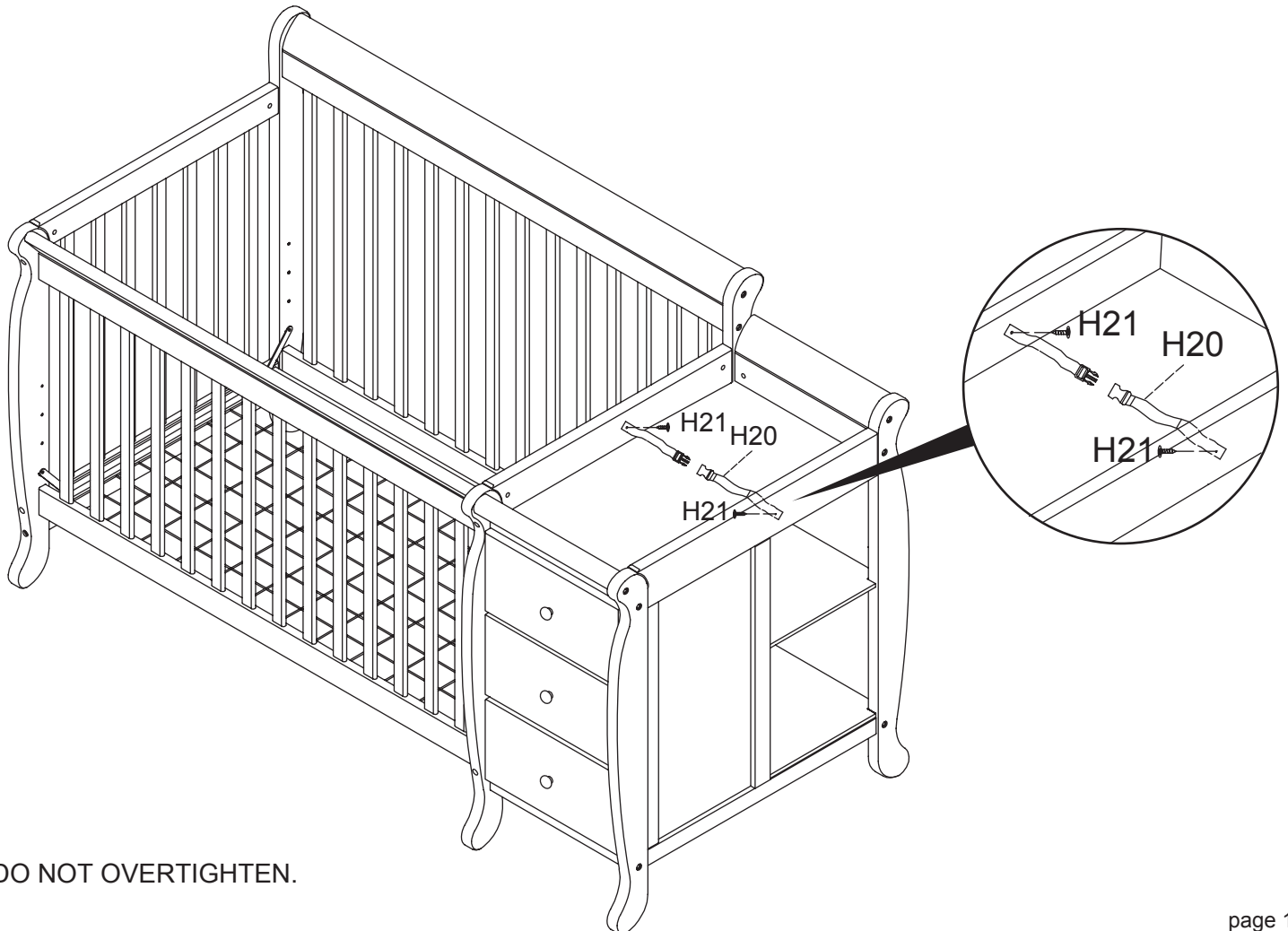
STEP 12. Place dresser shelves into the dresser



STEP 13. Slide drawers to the dresser

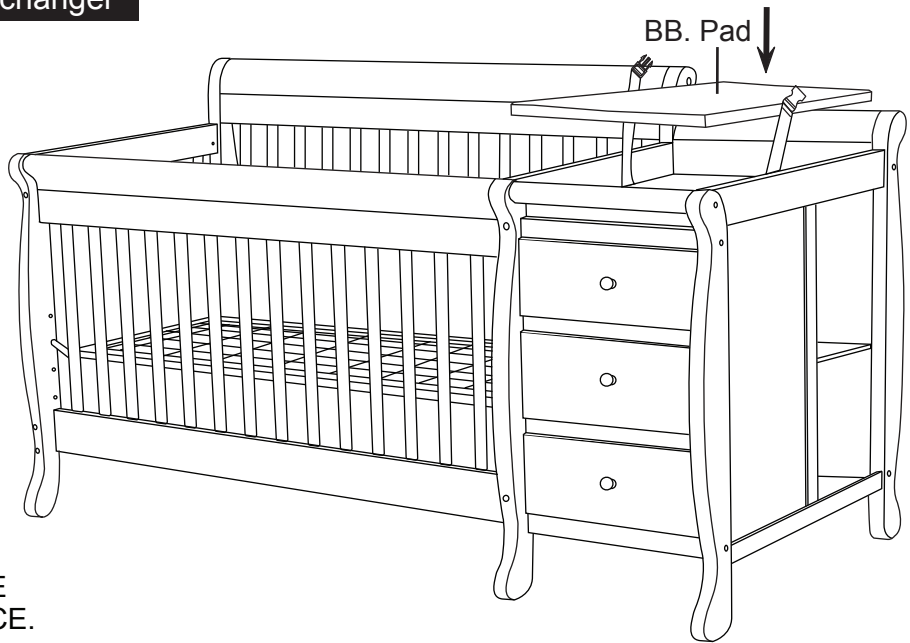


STEP 14. Attach the strap



DO NOT OVERTIGHTEN.

STEP 15. Place the pad onto the changer



KEEP THIS MANUAL IN A SAFE PLACE FOR FUTURE REFERENCE.

The recommended maximum weight of the occupant is 30 lbs on changing table.

Be sure to tighten the cross bar screws now that you have installed to the stationary side. Recheck all screws and bolts to be sure they are fastened securely.

Before placing your mattress in the crib, you can make your own mattress protector by cutting the cardboard packing insert to 27" x 51". Place it on the spring frame under the mattress to extend the life of the mattress.

CAUTION: ANY MATTRESS USED IN THIS CRIB MUST BE AT LEAST 27 1/4 INCHES (69CM) BY 51 5/8 INCHES (131CM) WITH A THICKNESS NOT EXCEEDING 6 INCHES (15CM).

Please refer to the label (sample below) on the inside face of the headboard. Record the model/ item number and serial number of your crib, the name of the store where you made the purchase, the date of purchase and the wood finish in the box to the lower right.

WE WILL ASK YOU FOR YOUR SERIAL NUMBER FOR ALL WARRANTY AND REPLACEMENT PART REQUESTS. PLEASE REFER TO THE LAST PAGE OF THIS INSTRUCTION SHEET FOR WARRANTY INFORMATION. KEEP THIS MANUAL FOR FUTURE REFERENCE.

CAUTION: ANY MATTRESS USED IN THIS CRIB MUST BE AT LEAST 27 1/4 INCHES (69CM) BY 51 5/8 INCHES (131CM) WITH A THICKNESS NOT EXCEEDING 6 INCHES (15CM).

MODEL/ITEM NUMBER	XXXX
SERIAL NUMBER	XXXXXXXXXX
DATE OF MANUFACTURE	XX/XX

THIS PRODUCT CONFORMS TO THE APPLICABLE REGULATIONS OF THE CONSUMER PRODUCTS SAFETY COMMISSION.

855 WASHINGTON BLVD.
MONTEBELLO, CA 90640
www.themdbfamily.com

SAMPLE LABEL

Model Number: _____

Serial Number: _____

Store Where Purchased: _____

Date of Purchase: _____

Wood Finish: _____

Please read the Caution and Warning Statements insert before using your crib.



WARNING:

Failure to follow these warnings and the assembly instructions could result in serious injury or death.

READ ALL INSTRUCTIONS BEFORE ASSEMBLING CRIB. KEEP THE MANUAL FOR FUTURE USE.



WARNING:

Parents should ensure a safe environment for the child by checking regularly, before placing the child in the product, that every component is properly and securely in place.

- Do not use this crib if you cannot exactly follow the accompanying instructions.
- Infants can suffocate on soft bedding. Never add a pillow or comforter. Never place additional padding under an infant.
- To reduce the risk of SIDS, pediatricians recommend healthy infants be placed on their backs to sleep, unless otherwise advised by your physician.
- Strings can cause strangulation! Do not place items with a string around a child's neck, such as hood strings or pacifier cords. Do not place cords, straps, or similar items that could become wound around the child's neck in or near this crib. Do not suspend strings over a crib or attach strings to toys.
- To help prevent strangulation tighten all fasteners. A child can trap parts of the body or clothing on loose fasteners.
- DO NOT place a crib near a window where cords from blinds or drapes may strangle a child. Do not place this crib near a window or a patio door where a child could reach the cord of a blind or curtain and be strangled.
- When a child is able to pull to a standing position, set the mattress to the lowest position and remove bumper pads, large toys and other objects that could serve as steps for climbing out.
- Do not use this crib if the child is able to climb out unaided or is taller than 35 in. (89cm).
- Check this product for damaged hardware, loose joints, loose bolts or other fasteners, missing parts or sharp edges before and after assembly and frequently during use. Securely tighten loose bolts and other fasteners. DO NOT use crib if any parts are missing, damaged or broken. DO NOT substitute parts. Contact **MDB FAMILY** for replacement parts and instructional literature if needed.
- DO NOT use a water mattress with this crib.
- For cribs equipped with teething rails, replace teething rail if damaged, cracked or loose.
- If refinishing, use a non-toxic finish specified for children's products.
- Never use plastic shipping bags or other plastic films as mattress covers because they can cause suffocation.
- Infants can suffocate in gaps between crib sides when used with a mattress that is too small.
- Follow warnings on all products in a crib.
- Ensure that the sides are properly latched or locked in place when the crib is occupied.
- The mattress used with this crib should not be more than 15cm thick and should be of such length with width that the gap between the mattress and the sides of the crib is no more than 3cm when the mattress is pushed into the corner of the crib.



WARNING:

Please do NOT remove any wood screws in the normal disassembly of the crib.

ONE YEAR LIMITED WARRANTY:

We will replace any missing parts at the time of purchase or any defective item within a one year period from the date of original purchase. Please keep your receipt so that we may process your warranty request. This warranty only covers new units with original packaging and ownership, and is not transferable. It does not cover any used, secondhand or demo models.

This warranty does not cover any damaged or defective parts that result from installation and assembly, normal wear and tear, abuse, negligence, improper use or alteration to the finish, design, and hardware of the crib. The specific legal rights of this warranty may vary from state to state. Some states do not allow any exclusion or limitation of incidental damages. Some states do not allow limitation on how long an implied warranty lasts.

Storage:

- Pine woods exchange moisture with the air adjusting to major changes in room temperature and humidity. Therefore, it is best to place your furniture away from heating or air-conditioning vents.
- Sunlight is not friendly to solid wood furniture and prolonged direct exposure to harsh sunlight can discolor the finish. Be careful not to place your furniture in direct sunlight for extended periods of time. As with all your fine furniture, blot up spills immediately.

Care and Cleaning:

- Do not scratch or chip the finish. Do not use abrasive chemicals for cleaning. Clean with mild soap on a soft rag. Rinse and dry thoroughly. If you ever refinish this furniture, be sure to use only a non-toxic finish specified for children's products. If you choose to refinish this furniture, the warranty will be voided.

Registering your product is even easier than before. You can register your product on our website at : www.themdbfamily.com

IF YOU WOULD LIKE TO ORDER REPLACEMENT OR MISSING PARTS PLEASE VISIT US AT:

WWW.THEMDBFAMILY.COM

OR YOU CAN CONTACT US BY MAIL:

MDB FAMILY
855 WASHINGTON BLVD.
MONTEBELLO, CA 90640



WARNING! FALL HAZARD

TO PREVENT DEATH OR SERIOUS INJURY, ALWAYS KEEP CHILD WITHIN ARM'S REACH.

READ ALL INSTRUCTIONS BEFORE ASSEMBLING THIS PRODUCT. KEEP THE MANUAL FOR FUTURE USE.



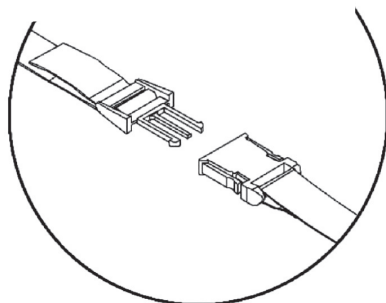
WARNING:

- Read all instructions before use of the changing table.
- Do not use changing table if it is damaged or broken.
- This product is not intended to be used as a changing table without adult supervision. Use of the product without this may result in death or serious injury to your child from falling. Follow all instructions on attaching and using the changing table.
- Only use the pad provided by MDB FAMILY .
- The maximum weight of the child for which the changing table is intended is 30 lbs.
- Stop using this changing table when the child is able to sit up or roll over.
- As with all infant and baby furniture, it is important to check fasteners, screws, and bolts periodically for tightness. Parents should ensure a safe environment for their child by checking the furniture regularly before placing the child in the product.
- When using this product, always secure the child with the safety strip.



WARNING! FALL HAZARD

To prevent death or serious injury, always keep child within arm's reach. Never leave child unattended and always use restraining system.



ONE YEAR LIMITED WARRANTY:

We will replace any missing parts at the time of purchase or any defective item within a one year period from the date of original purchase. Please keep your receipt so that we may process your warranty request. This warranty only covers new units with original packaging and ownership, and is not transferable. It does not cover any used, secondhand or demo models.

This warranty does not cover any damaged or defective parts that result from installation and assembly, normal wear and tear, abuse, negligence, improper use or alteration to the finish, design, and hardware of the crib. The specific legal rights of this warranty may vary from state to state. Some states do not allow any exclusion or limitation of incidental damages. Some states do not allow limitation on how long an implied warranty lasts.

Registering your product is even easier than before. You can register your product on our website at : www.themdbfamily.com

IF YOU WOULD LIKE TO ORDER REPLACEMENT OR MISSING PARTS PLEASE VISIT US AT:

WWW.THEMDBFAMILY.COM

OR YOU CAN CONTACT US BY MAIL:

**MDB FAMILY
855 WASHINGTON BLVD.
MONTEBELLO, CA 90640**

Restraint System

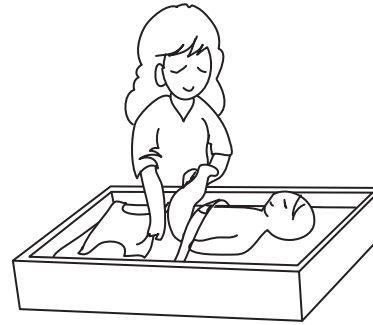
WARNING:

During the diaper changing process, be sure always to keep one hand on the baby to prevent the baby from falling off the changing pad. Falling from the changing pad could cause severe injury or even death to the baby.



Step 1.

Place a baby on the pad with his/her bottom on the top of the diaper. Safely secure the baby on the pad with the safety straps and buckle on the pad. This helps prevent the baby from falling off the pad, which can result in severe injury or even death of the baby.



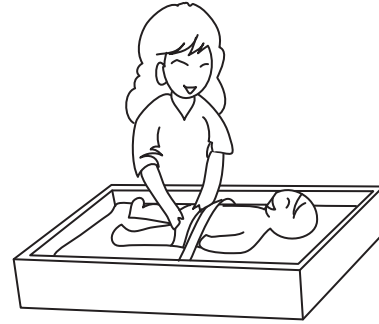
Step 2.

Remove the dirty diaper from the baby.



Step 3.

Push the baby's legs forward and create a cavity under the baby's bottom. Clean the baby.



Step 4.

Reattach the new diaper to a clean and happy baby!



Crib + Changer Combo (5591)-Toddler Bed Conversion Assembly

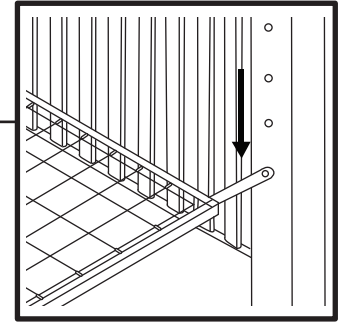
* All of the parts and hardware you will need are supplied with the crib at the time of purchase.

STEP 1.

Unscrew the Allen head bolts and remove the front panel assembly.

STEP 2.

Move the spring frame to the lowest level.

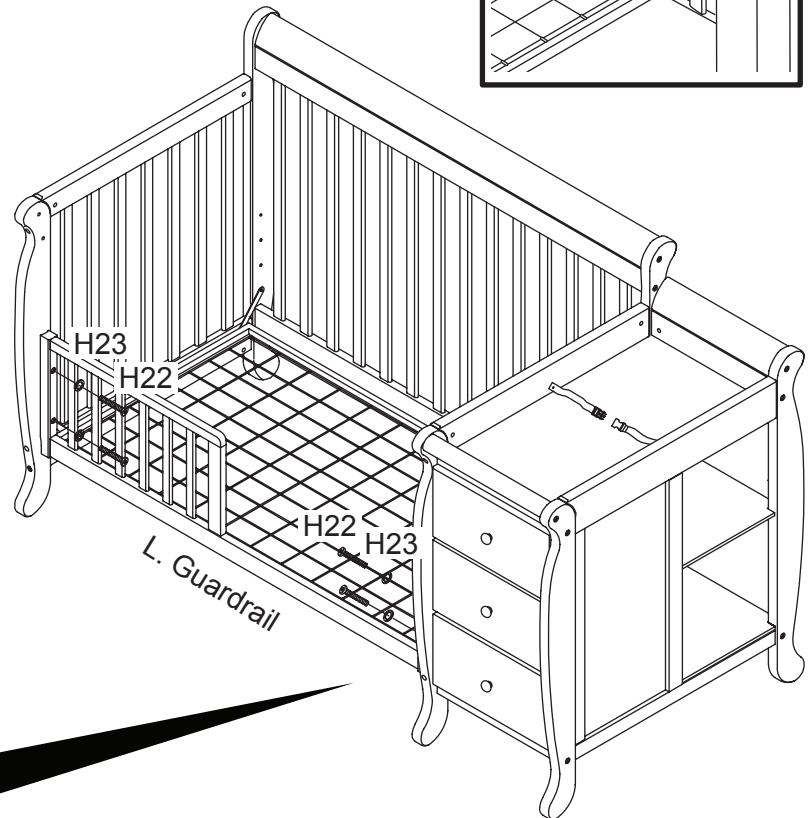
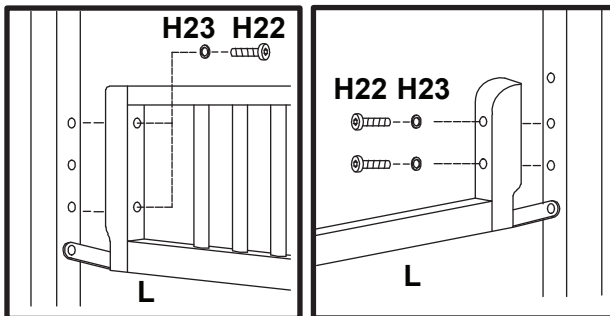


STEP 3.

Attach the guardrail (L) to the front posts using four Allen head bolts (H22) and lock washer (H23). The guardrail (L) can be installed with the high end facing either to the left or the right.

Check to make sure that all of the bolts are fastened securely.

DO NOT OVERTIGHTEN.



The mattress intended for use on the bed shall be a full-size crib mattress having minimum dimensions of 51-5/8 in. (1310mm) in length, 27-1/4 in. (690mm) in width and 4 in. (100mm) in thickness, or a greater thickness not exceeding 6 in (152mm).

The intended user's minimum age must be at least 15 months old and maximum weight must not exceed 50 lbs (22.7 kg).

WARNING :

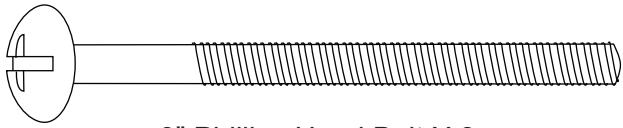
Failure to follow these warnings and the assembly instructions could result in serious injury or death from entrapment or strangulation.

DO NOT place bed near windows where cords from blinds or drapes may strangle a child. DO NOT place items with a string, cord, or ribbon, around a child's neck, such as hood strings or pacifier cords. DO NOT suspend strings over a toddler bed for any reason. If guard rails are used as the mattress containment means, guard rails provided must be used to avoid the formation of a gap between the mattress and the bed that could cause an entrapment.



Crib + Changer Combo (5591) - Full Size Conversion Assembly

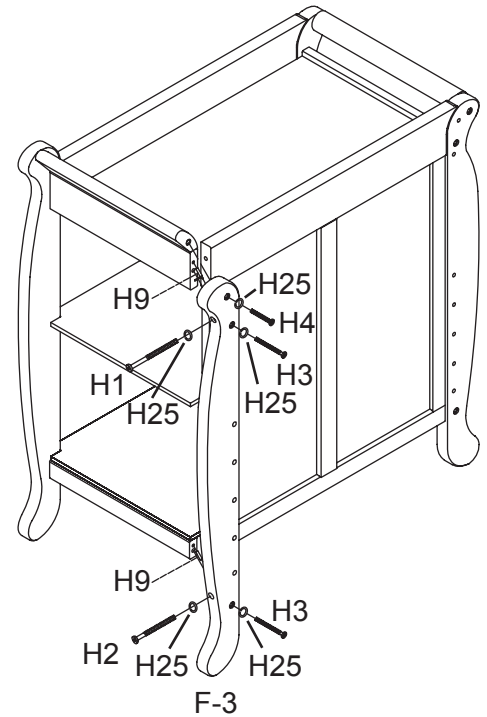
* For all 4 in 1 cribs, please contact a retailer to order your full size adult wooden bed rails for your full size bed conversion.



3" Phillips Head Bolt X 8



Barrel Nut X 8



STEP 1.

Unscrew the Allen head bolts and remove the left side panel (D).

STEP 2.

Separate the dresser from the crib. Replace the posts in the center panel with front and back posts (G-3 & F-3) as illustrated.

STEP 3.

Insert barrel nuts into bed rails. Use 3" Phillips head bolts (A) to attach the rails. Tighten bolts securely with a Phillips screwdriver.

Be sure to keep the extra bolts and barrel nuts for future use.

DO NOT OVERTIGHTEN.

