

Convertible Crib and Changer (M661/662)




THIS PRODUCT IS NOT INTENDED FOR INSTITUTIONAL OR COMMERCIAL USE.

If you have any questions or missing parts, please contact us. DO NOT return product parts to the store where it was purchased before contacting AFG Customer Service.

AFG Customer Service:

E-mail: service@afgbabyfurniture.com

Tel: (323) 722-6268

 **WARNING:** Failure to follow these warnings and the assembly instructions could result in serious injury or death. Read all instructions BEFORE assembly and USE of product. KEEP INSTRUCTIONS FOR FUTURE USE.

- First remove hardware from box and sort by size. Check to see that all hardware and wooden pieces are present before assembling.
- Follow instructions listed below in the proper sequence as numbered to assure fast, easy and correct assembly.
- DO NOT use this crib if the enclosed or attached instructions cannot be strictly adhered to.

 **WARNING:**

- DO NOT attempt to repair or modify parts with cracks or defects. Please contact us for immediate replacement.
- This product is for home use and is not intended for use in schools, day care centers or other commercial establishments.
- Must be assembled by a capable adult.
- **CHOKING HAZARDS:** DO NOT put small / loose components on top of the unit where baby could reach.

Crib Warning

 **CAUTION:** Any mattress used in this crib should be at least 27-1/4 by 51-5/8 in. with a thickness not exceeding 6 in.



WARNING: Infants can suffocate on soft bedding. Never add a pillow or comforter. Never place additional padding under an infant.

- This crib conforms to applicable regulations promulgated by the Consumer Products Safety Commission.
- Never use plastic shipping bags or other plastic film as mattress covers.
- Infants can suffocate in gaps between crib sides and a mattress that is too small.
- To reduce the risk of SIDS, pediatricians recommend healthy infants be placed on their backs to sleep, unless otherwise advised by your physician.
- DO NOT use a water mattress with this crib.
- Do not remove any wood screws in the normal disassembly of the crib.
- Replace teething rail if damaged, cracked or loose.
- If refinishing, use a non-toxic finish specified for children's products.
- Follow warnings on all products in a crib.

Strangulation Hazard

- Strings can cause strangulation! Do not place items with a string around a child's neck, such as hood strings or pacifier cord. Do not suspend strings over a crib or attach strings to toys.
- To help prevent strangulation, tighten all fasteners. A child can trap parts of the body or clothing on loose fasteners.
- DO NOT place crib near windows where cords from blinds or drapes may strangle a child.

Fall Hazard

- When child is able to pull to a standing position, set mattress to lowest position and remove bumper pads, large toys and other objects that could serve as steps for climbing out.
- Stop using crib when child begins to climb out or reaches the height of 35 in. (89 cm).
- Check this product for damaged hardware, loose joints, loose bolts or other fasteners, missing parts, or sharp edges before and after assembly and frequently during use. Securely tighten loose bolts and other fasteners.
DO NOT use crib if any parts are missing, damaged or broken. Contact (AFG International Products Inc) for replacement parts and instructional literature if needed. DO NOT substitute parts.

Storage: The crib must be kept in a dry and clean area. Solid wood tends to exchange moisture with the surrounding air and reacts to major changes in temperature and humidity. The ideal environment for the crib is at a temperature between 65 and 75 degrees and a relative humidity between 35 and 40 percent. If the room is too humid, the crib will absorb moisture and expand; in verse, the crib will lose moisture and shrink in a dry environment. It is best to place your furniture away from heating or air-conditioning vents. Also, direct exposure to sunlight can discolor the wood, so do not place your product where it will receive prolonged sunlight exposure.

Care and Cleaning: Do not scratch or chip the finish. Do not use abrasive chemicals for cleaning. Clean with mild soap on a soft rag. Rinse and dry thoroughly. If you choose to refinish this furniture, be sure to use only a non-toxic finish specified for children's products.

Changer Warnings

WARNING- KEEP THE INSTRUCTIONS FOR FUTURE USE

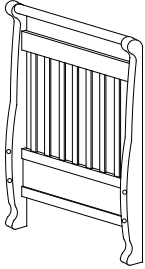
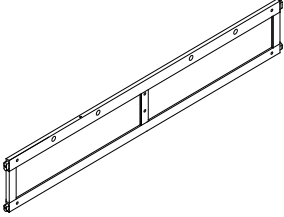
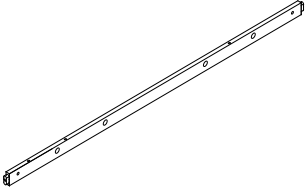
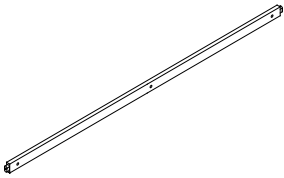
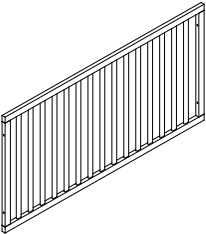
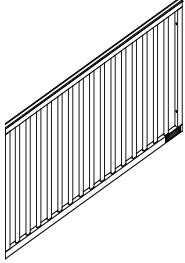
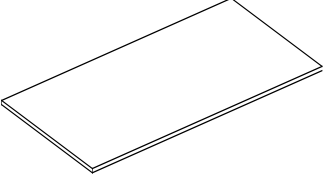
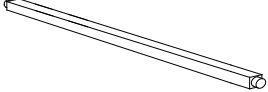
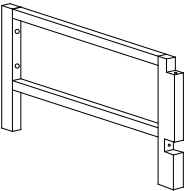
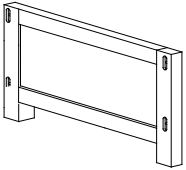
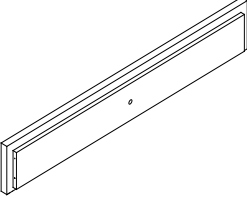
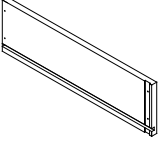
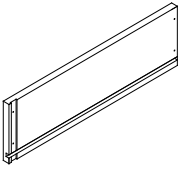
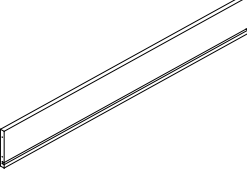
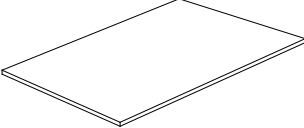
FALL HAZARD: TO PREVENT DEATH OR SERIOUS INJURY ALWAYS KEEP CHILD WITHIN ARM'S REACH.

- NEVER LEAVE THE CHILD UNATTENDED.
- SECURE THE CHILD IN THE RESTRAINT WHEN USING CHANGER.
- KEEP THE CHILD IN VIEW WHILE CHILD IS IN THE CHANGER.
- STOP USING THE CHANGER WHEN THE CHILD IS ABLE TO SIT UP OR ROLL OVER.
- PERIODICALLY CHECK FOR LOOSE OR WORN PARTS, TIGHTEN, REPAIR, OR REPLACE AS NEEDED.
- THIS PRODUCT IS FOR RESIDENTIAL USE ONLY. ANY INSTITUTIONAL USE IS STRICTLY PROHIBITED.
- CAN ONLY RETAIN CHILD WITH MAXIMUM WEIGHT UP TO 30 LBS.
- ALWAYS SECURE CHANGING PAD TO THE CHANGER SURFACE BY FASTENING THE BELTS.
- DO NOT USE CHANGING TABLE, ADD-ON CHANGING UNIT, OR CONTOURED CHANGING PAD IF IT IS DAMAGED OR BROKEN.
- THIS PRODUCT IS NOT INTENDED TO BE USED AS A CHANGING TABLE WITHOUT FASTENING THE SAFETY BELT. USE OF THE PRODUCT WITHOUT THIS MAY RESULT IN DEATH OR SERIOUS INJURY TO YOUR CHILD FROM FALLING. FOLLOW ALL INSTRUCTIONS ON ATTACHING AND USING THE SAFETY BELT.
PARENT SHOULD ENSURE A SAFE ENVIRONMENT FOR THEIR CHILD BY CHECKING THE FURNITURE CAREFULLY BEFORE PLACING CHILD IN THE PRODUCT. PLEASE MAKE SURE EVERY COMPONENT IS PROPERLY AND SECURELY IN PLACE.

M661/662 Crib Parts Identification Sheet

DO NOT assemble crib if parts and hardware are defective or missing.
Contact AFG for exchange or keep the original box for return authorization.

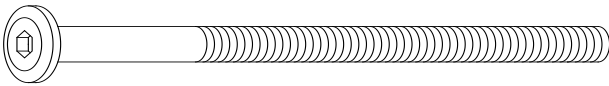
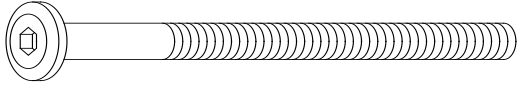
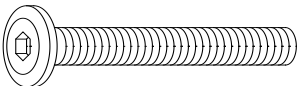


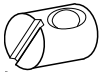
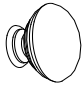

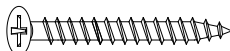




~ Crib Assembly Parts ~


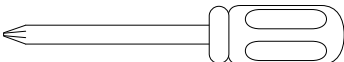
| | | | |
|---|--|---|--|
| <p>A. Headboard (1 pc)</p>  | <p>B. Fixed Side Bottom Panel (1 pc)</p>  | <p>C. Front Top Rail (1 pc)</p>  | <p>D. Front Bottom Rail (1 pc)</p>  |
| <p>E. Back Panel (1 pc)</p>  | <p>F. Front Panel (1 pc)</p>  | <p>G. Mattress Support Board (1 pc)</p>  | <p>H. Mattress Crossbar (4 pcs)</p>  |
| <p>I. Middle Side Panel (1 pc)</p>  | <p>J. Foot Board Bottom (1 pc)</p>  | <p>K. Drawer Front (2 pcs)</p>  | <p>L. Drawer Left Side (2 pcs)</p>  |
| <p>M. Drawer Right Side (2 pcs)</p>  | <p>N. Drawer Back (2 pcs)</p>  | <p>O. Drawer Bottom (2 pcs)</p>  | |


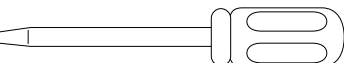
M661/662 Hardware Identification Sheet

DO NOT assemble crib if parts and hardware are defective or missing.
Contact AFG for exchange or keep the original box for return authorization.

~ Crib Assembly Hardware ~

| Item # | Fittings | Qty |
|------------------------------|--|----------|
| 1. Bolt 1/4" x 3" |  | (6 pcs) |
| 2. Bolt 1/4" x 2-1/2" |  | (4 pcs) |
| 3. Bolt 1/4" x 1-1/4" |  | (3 pcs) |
| 4. Bolt 1/4" x 2-1/4" |  | (4 pcs) |
| 5. Wood Dowel 8 mm x 20 mm |  | (2 pcs) |
| 6. Nut 1/4" x 15 mm |  | (8 pcs) |
| 7. Handle |  | (2 pcs) |
| 8. Bolt 5/32" x 1-1/4" |  | (2 pcs) |
| 9. Screw F4 x 1" |  | (16 pcs) |
| 10. Wrench |  | (1 pc) |
| 11. Bolt 1/4" x 1-3/4" |  | (4 pcs) |
| 12. Wood Dowel 10 mm x 30 mm |  | (4 pcs) |
| 13. Security Bracket |  | (2 pcs) |

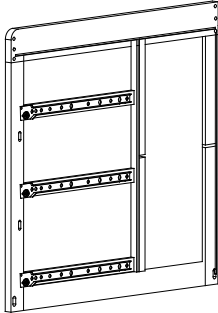
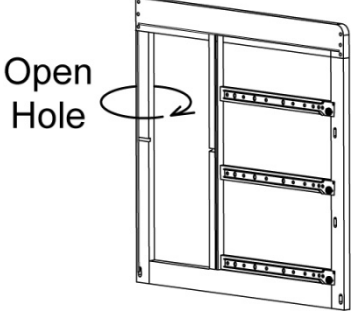
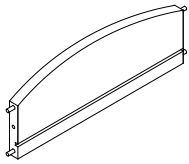
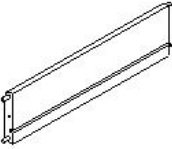
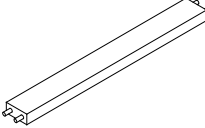
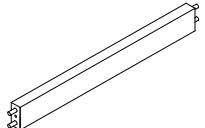
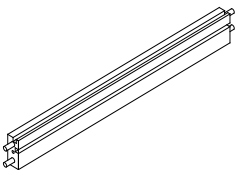
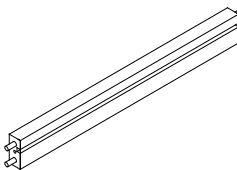
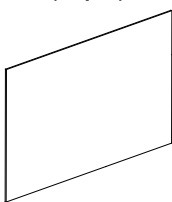
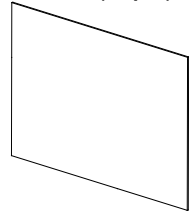

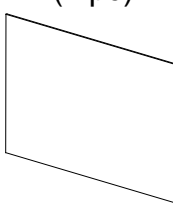
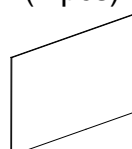
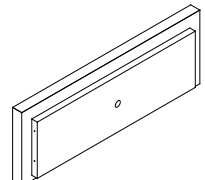
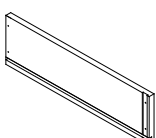
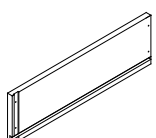
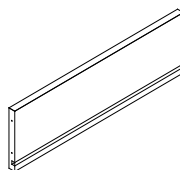
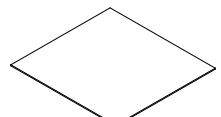
PHILLIPS SCREWDRIVER   (NOT INCLUDED)

FLATHEAD SCREWDRIVER   (NOT INCLUDED)

M661/662 Changer Parts Identification Sheet

DO NOT assemble crib if parts and hardware are defective or missing.
Contact AFG for exchange or keep the original box for return authorization.

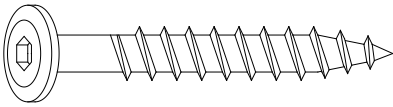
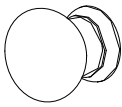
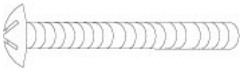
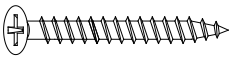
~ Changer Assembly Parts ~

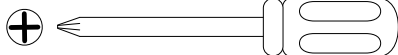
| | | | |
|---|---|--|--|
| <p>A1. Left Panel (1 pc)</p>  | | <p>A2. Right Panel (1 pc)</p>  | |
| <p>A3. Top Back Panel (1 pc)</p>  | <p>A4. Top Support Bar (1 pc)</p>  | <p>A5. Middle Support Bar (2 pcs)</p>  | <p>A6. Front Bottom Support Bar (1 pc)</p>  |
| <p>A7. Middle Bottom Support Bar (1 pc)</p>  | <p>A8. Back Bottom Support Bar (1 pc)</p>  | <p>A9. Dresser Top (1 pc)</p>  | <p>A10. Dresser Back Panel (1 pc)</p>  |
| <p>A11. Shelf Bottom (1 pc)</p>  | <p>A12. Dresser Middle (1 pc)</p>  | <p>A13. Shelf (1 pcs)</p>  | <p>A14. Drawer Front (3 pcs)</p>  |
| <p>A15. Drawer Left (3 pcs)</p>  | <p>A16. Drawer Right (3 pcs)</p>  | <p>A17. Drawer Back (3 pcs)</p>  | <p>A18. Drawer Bottom (3 pcs)</p>  |

M661/662 Hardware Identification Sheet

DO NOT assemble crib if parts and hardware are defective or missing.
Contact AFG for exchange or keep the original box for return authorization.

~ Changer Assembly Hardware ~

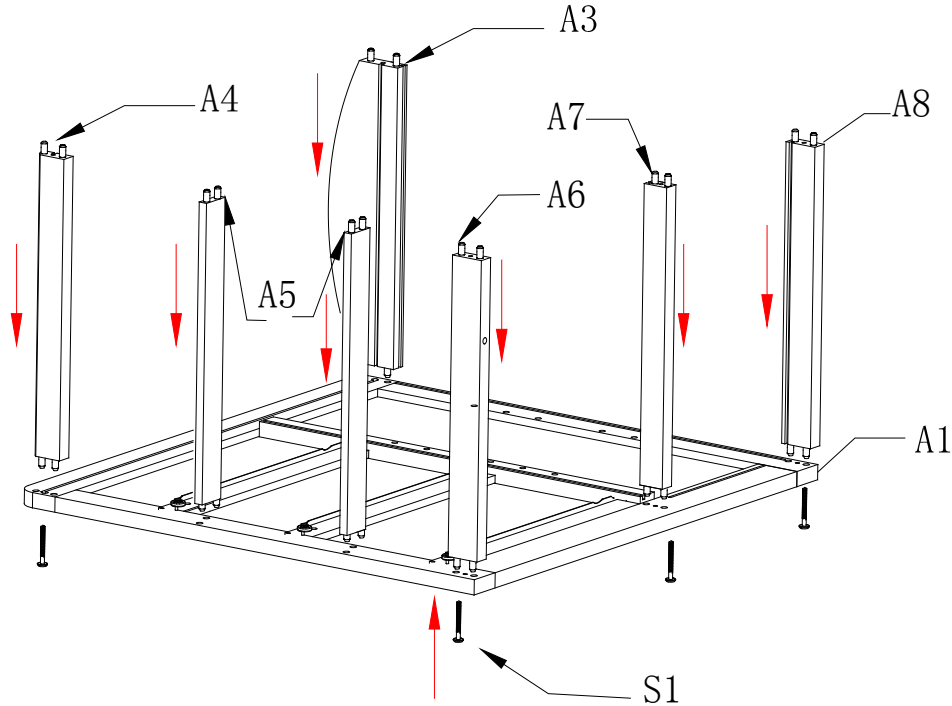
| Item # | Fittings | Qty |
|------------------------|--|----------|
| S1. Screw 1/4" x 2" |  | (10 pcs) |
| S2. Handle |  | (3 pcs) |
| S3. Bolt 1/4" x 2-1/4" |  | (4 pcs) |
| S4. Screw F4 x 1" |  | (24 pcs) |

PHILLIPS SCREWDRIVER  (NOT INCLUDED)

M661/662 Changer Assembly Sheet

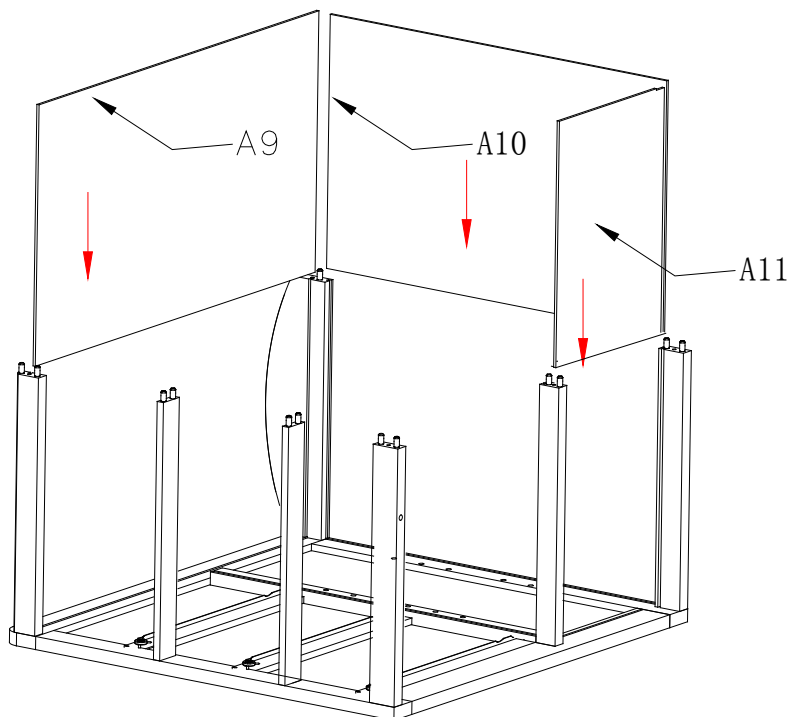
STEP 1:

Insert Top Back Panel (A3), Top Support Bar (A4), 2 Middle Support Bars (A5), Front Bottom Support Bar (A6), Middle Bottom Support Bar (A7), and Back Bottom Support Bar (A8) into the Left Panel (A1) and fasten using 5 Screws (S1).



STEP 2:

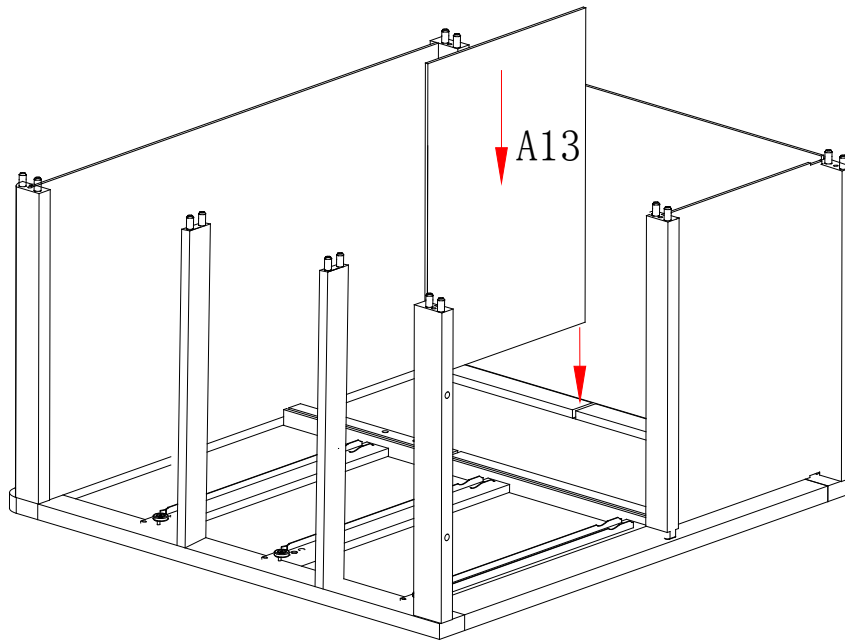
Insert Dresser Top (A9), Dresser Back Panel (A10), and Shelf Bottom (A11) into the proper positions as shown in the picture below. (Do not force the panel in, loosen screws if necessary)



M661/662 Changer Assembly Sheet

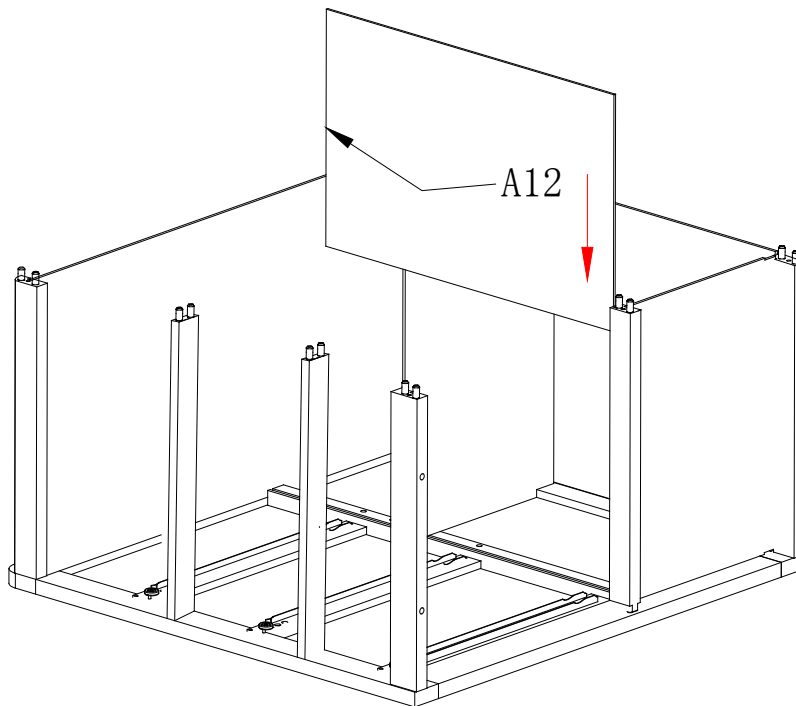
STEP 3:

Insert Shelf (A13).



STEP 4:

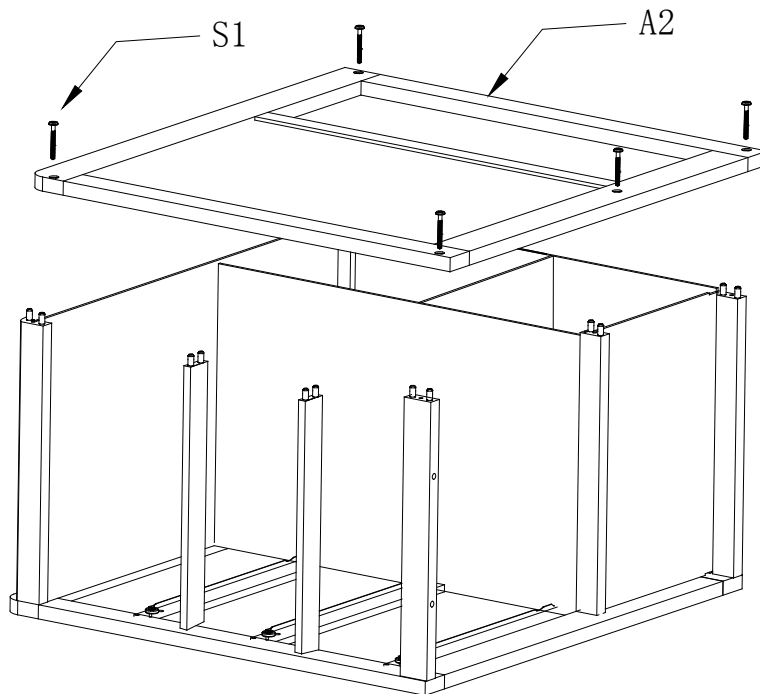
Insert Dresser Middle (A12) into groove of Middle Bottom Support Bar (A7).



M661/662 Changer Assembly Sheet

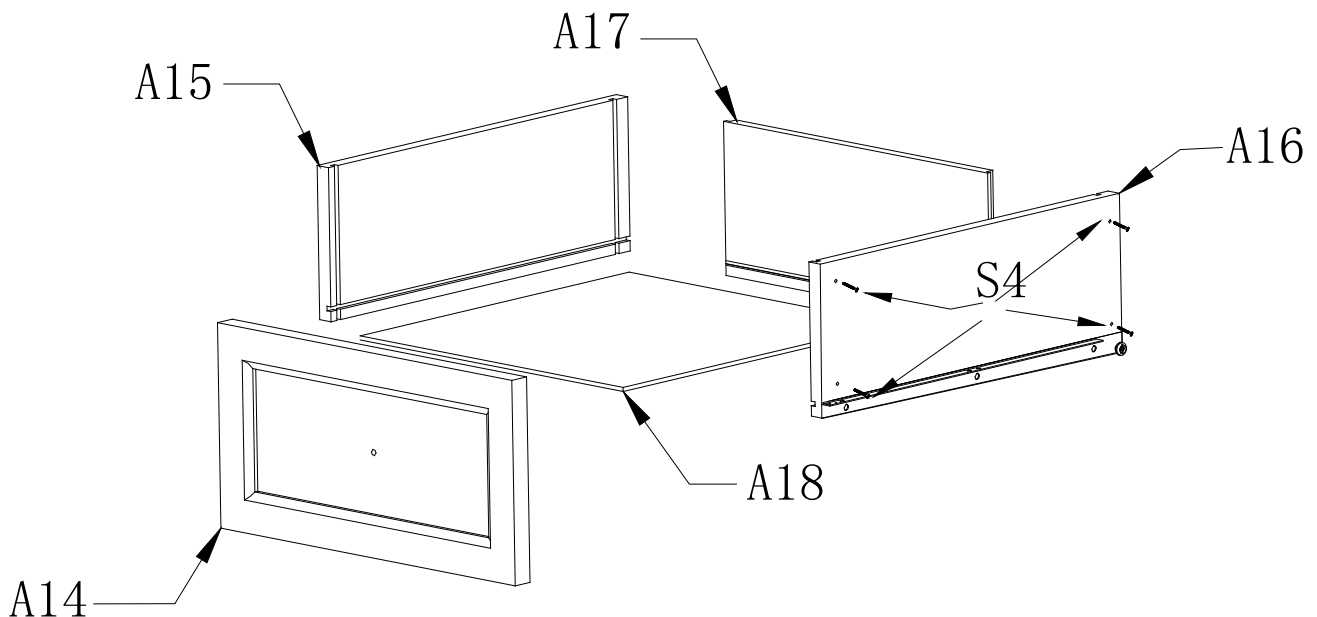
STEP 5:

Place the Right Panel (A2) on top and fasten using Screw (S1). Make sure all parts are inserted into their respective grooves and then tighten firmly.



STEP 6:

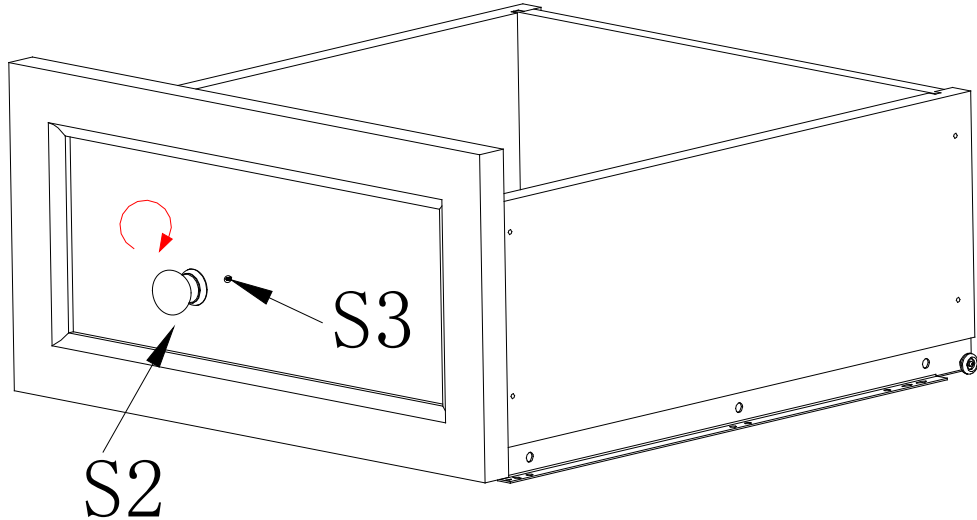
Attach Drawer Left (A15) and Drawer Right (A16) to Drawer Front (A17) by using 4 Screws (S4). Slide Drawer Bottom (A18) into groove. Loosen screws if necessary. Attach completed Drawer Back (A14) to unit by using 4 Screws (S4).



M661/662 Changer Assembly Sheet

STEP 7:

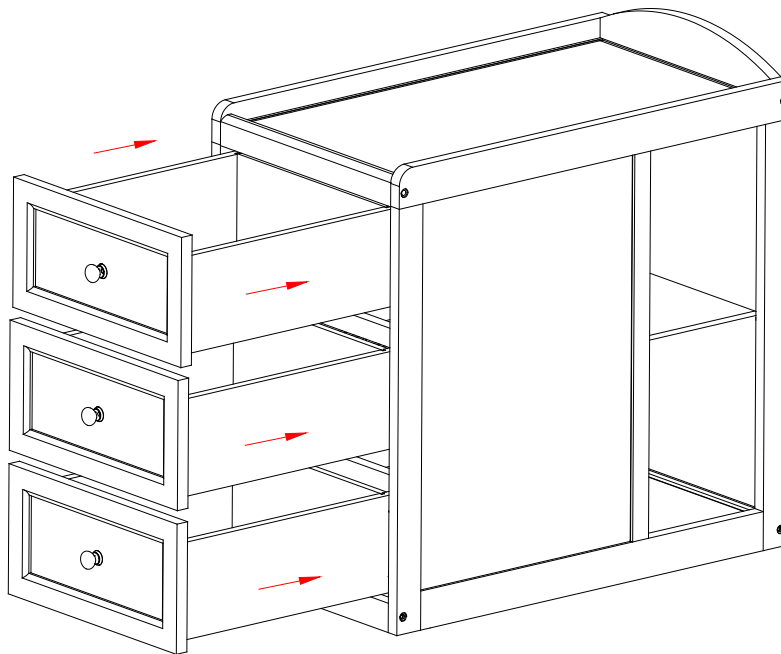
Attach Handle (S2) to Drawer Front Panel with Bolt (S3).



Repeat Step 6 and 7 to assembly 2nd and 3rd drawers.

STEP 8:

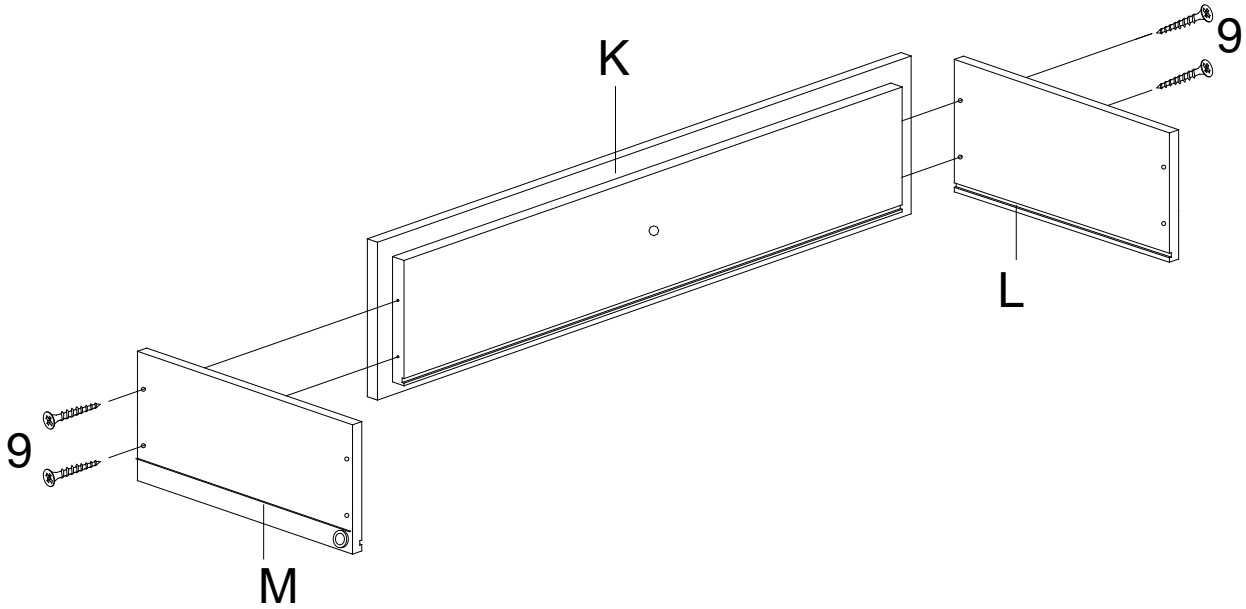
Insert drawers into the unit. Test out the drawers to make sure that they run smoothly on the metal tracks.



M661/662 Crib Drawer Assembly Sheet

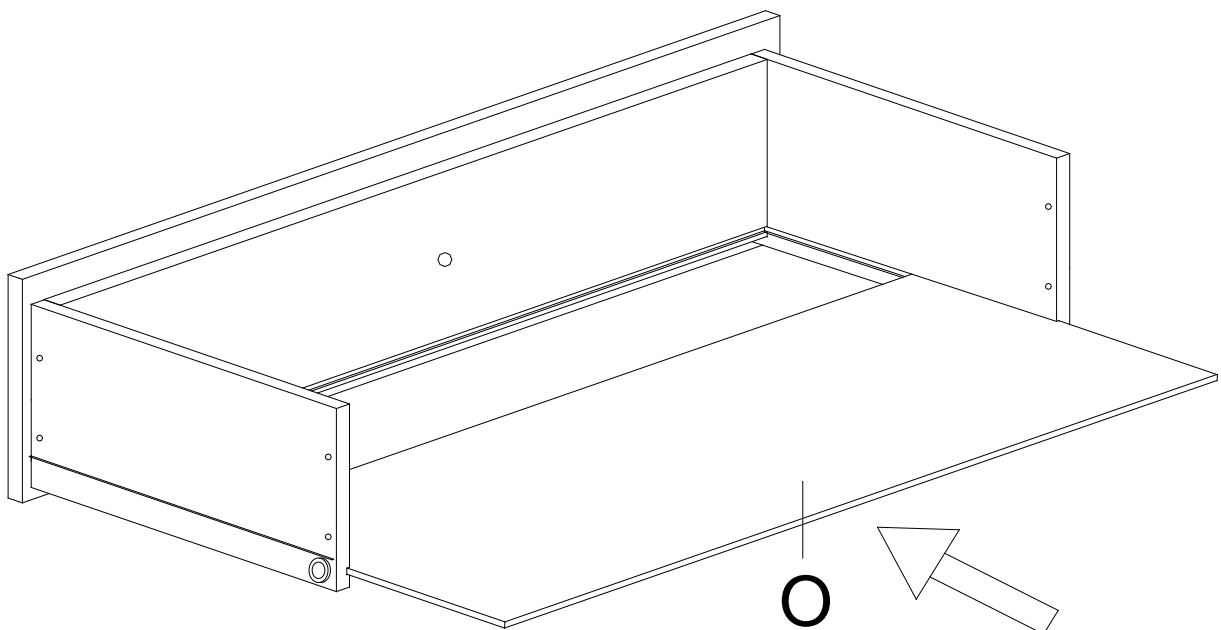
STEP 1:

Attach Drawer Left Side Panel (L) and Drawer Right Side Panel (M) to Drawer Front Panel (K) with 4 Screws (#9).



STEP 2:

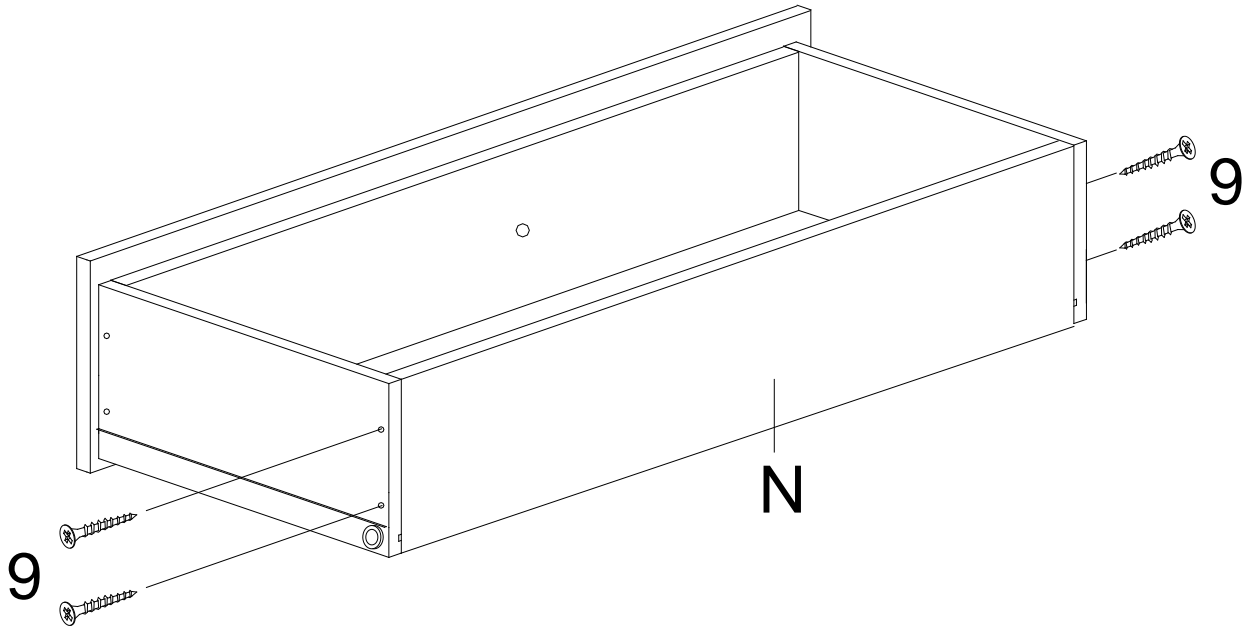
Slide Drawer Bottom Panel (O) into the grooves of the side panels.



M661/662 Crib Drawer Assembly Sheet

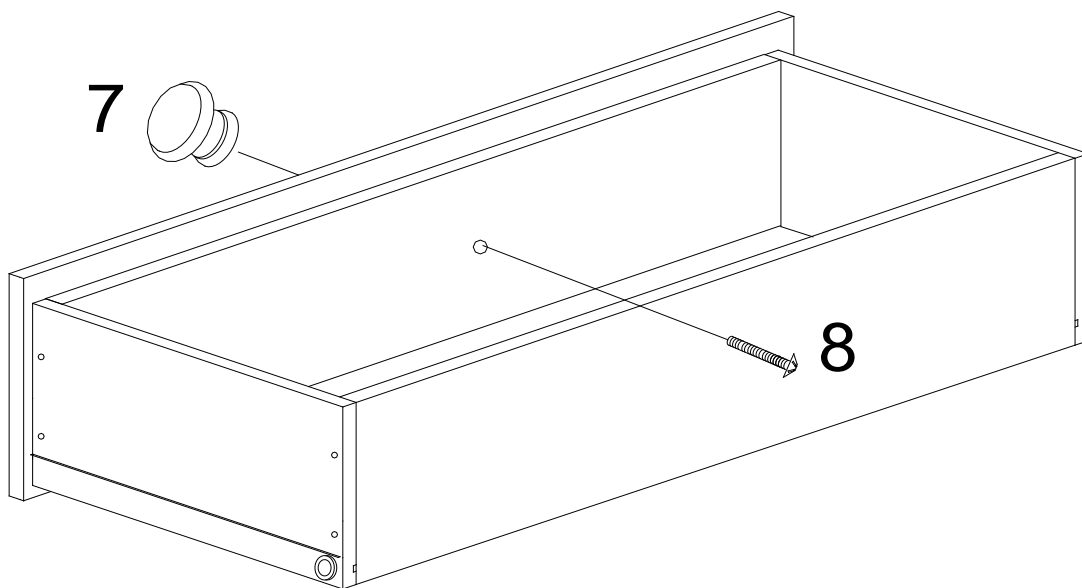
STEP 3:

Attach Drawer Back Panel (N) to side panels with 4 Screws (#9). Make sure all screws are tightly secured.



STEP 4:

Attach Knobs (#8) to Drawer Front Panel with Bolt (#7).

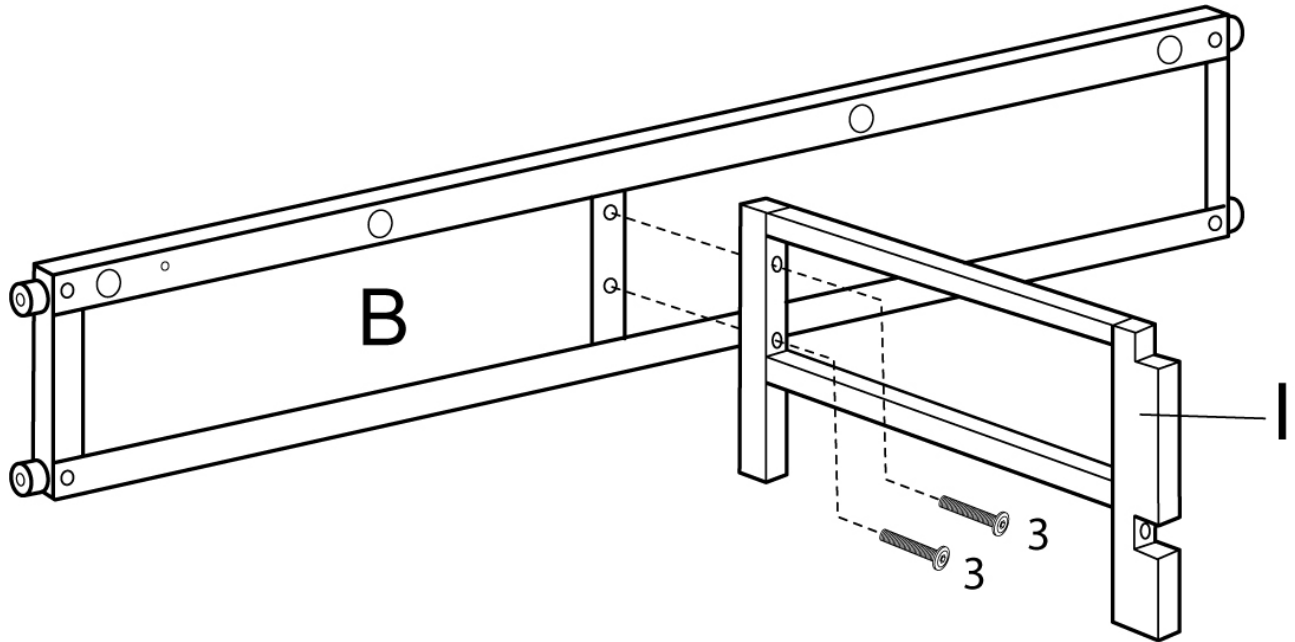


Repeat above steps to assemble the other drawer.

M661/662 Crib Assembly Sheet

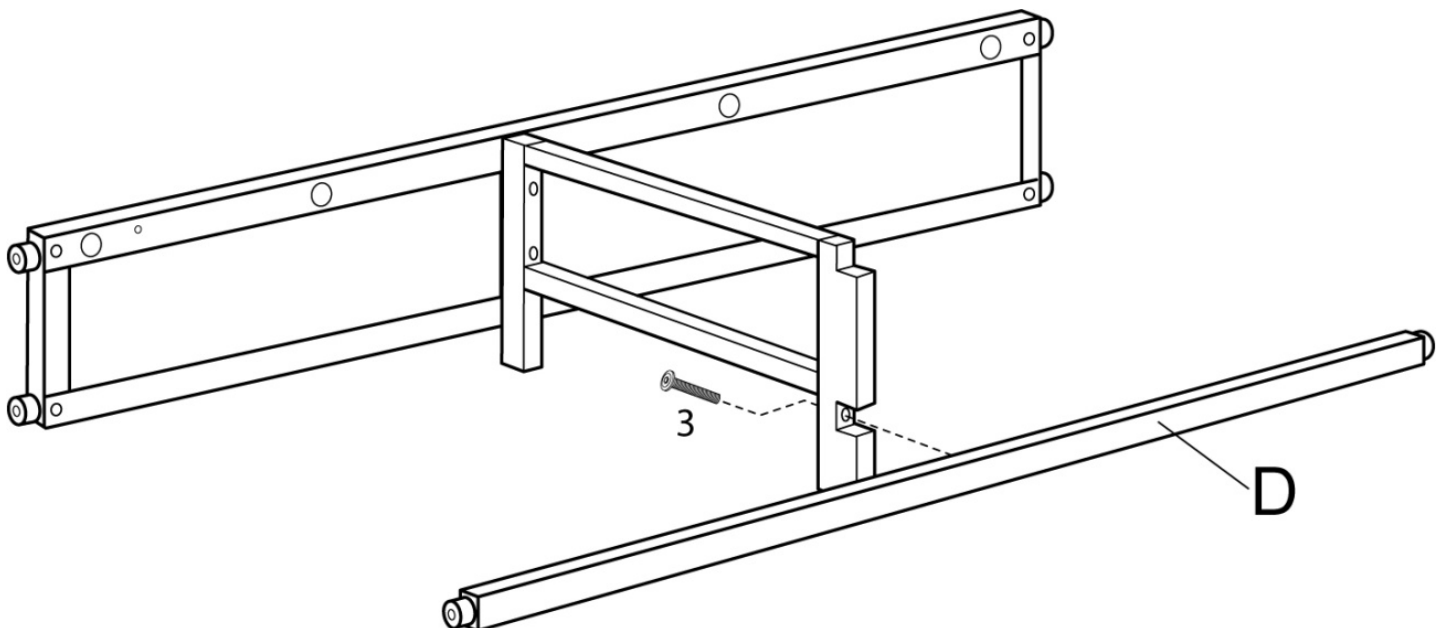
STEP 1:

Attach Middle Side Panel (I) to Fixed Side Bottom Panel (B) by using 2 Bolts (#3).



STEP 2:

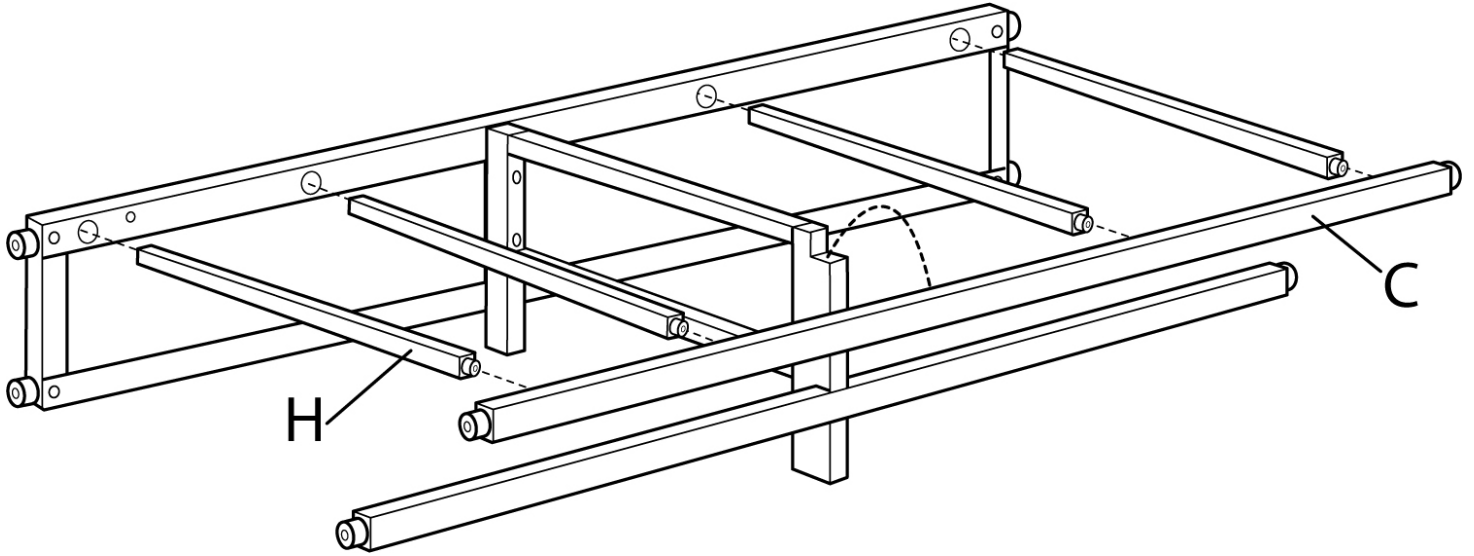
Attach Front Bottom Rail (D) to Middle Side Panel (I) by using 1 Bolt (#3).



M661/662 Crib Assembly Sheet

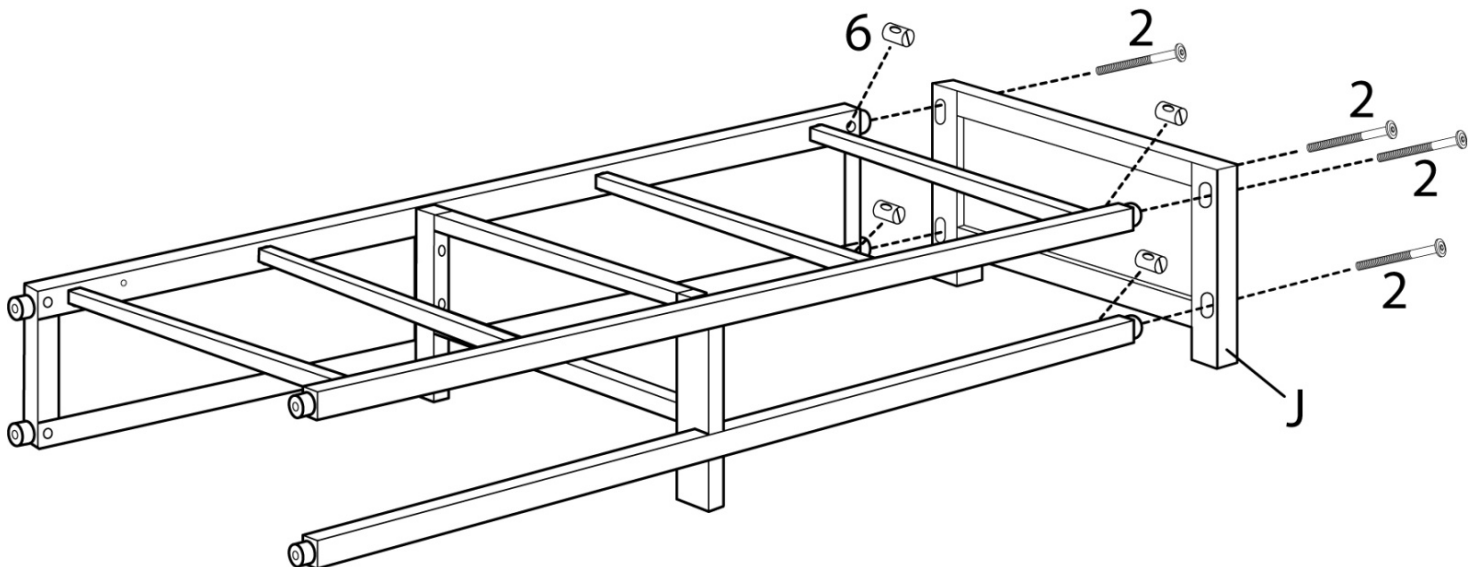
STEP 3:

Insert 4 Mattress Crossbars (H) into Fixed Side Bottom Panel (B) and Front Top Rail (C).



STEP 4:

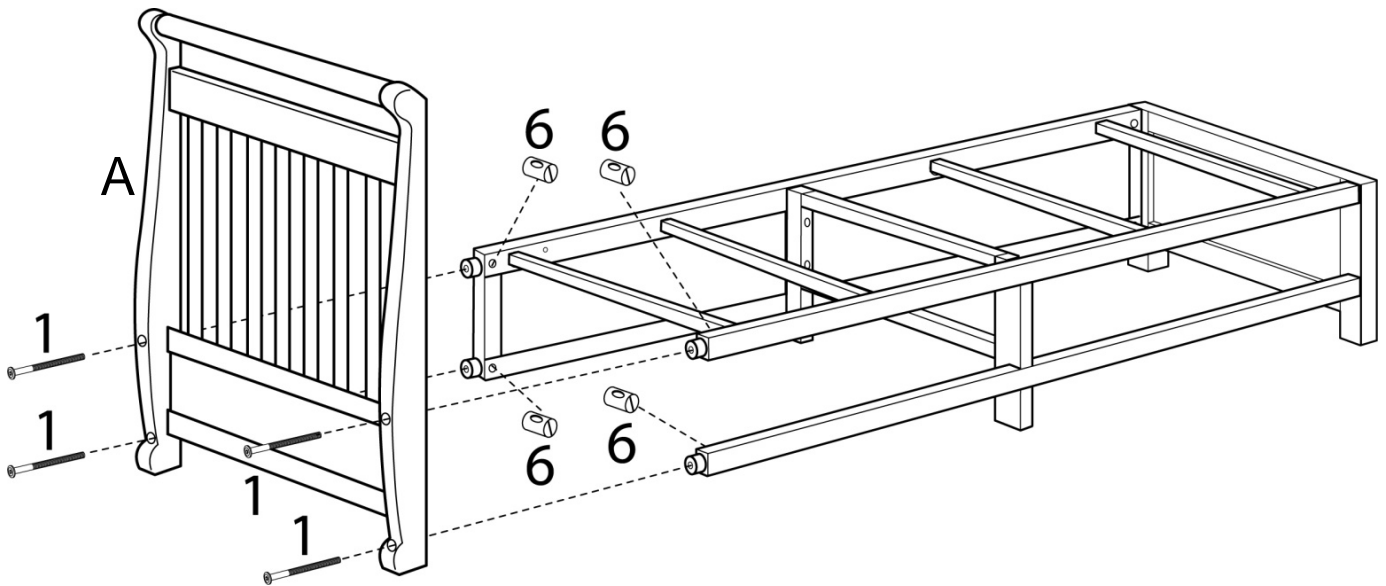
Attach Fixed Side Bottom Panel (B), Front Top Rail (C) and Front Bottom Rail (D) to Foot Board Bottom (J) by using 4 Barrel Nuts (#6) before screwing 4 Bolts (#2).



M661/662 Crib Assembly Sheet

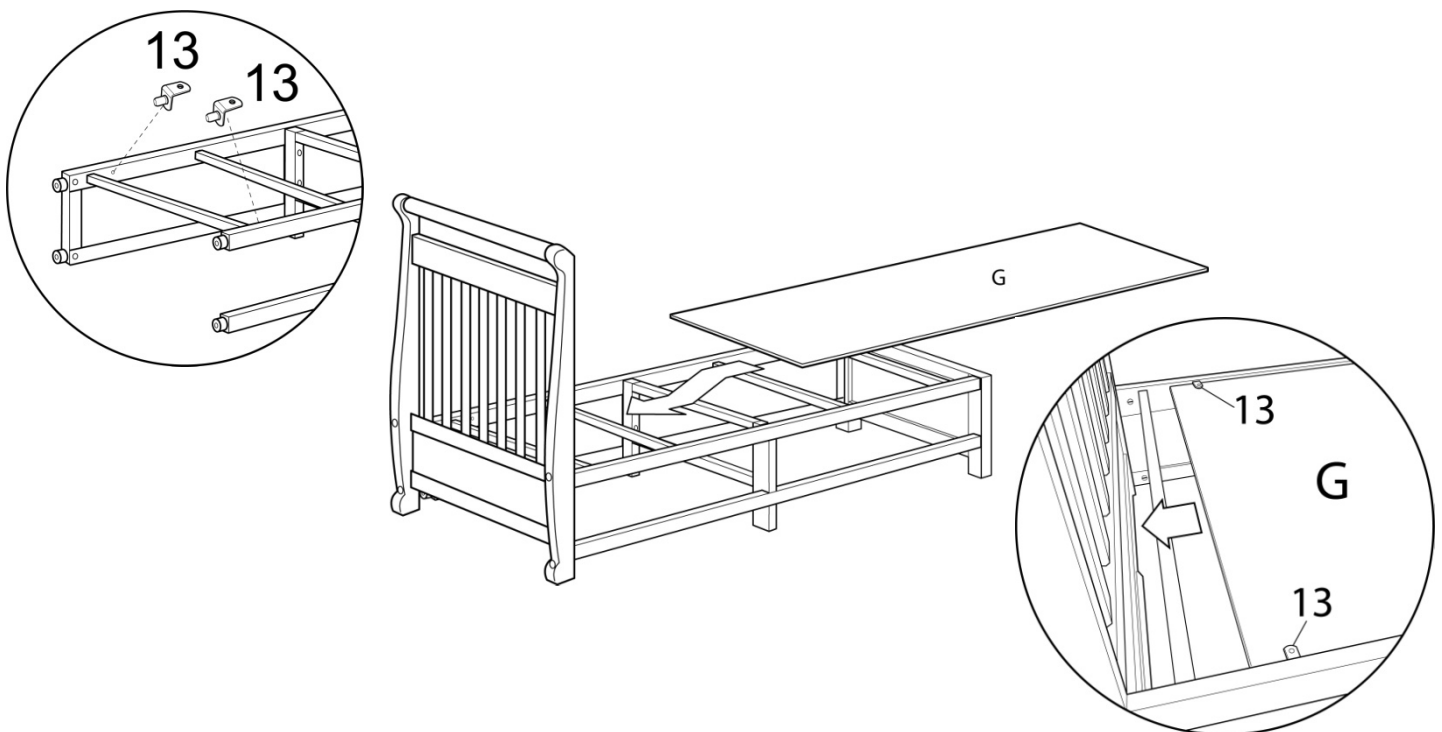
STEP 5:

Attach Fixed Side Bottom Panel (B), Front Top Rail (C) and Front Bottom Rail (D) to Headboard (A) by using 4 Barrel Nuts (#6) before screwing 4 Bolts (#1).



STEP 6:

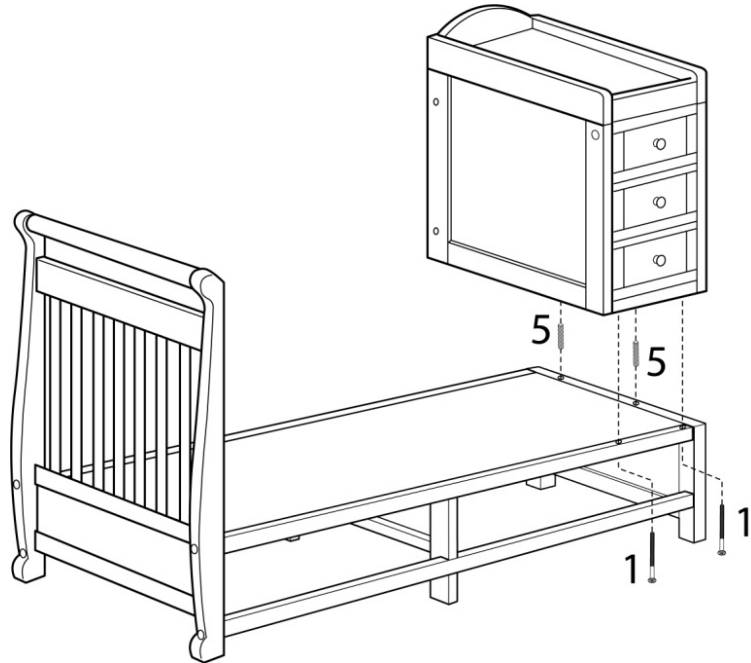
Insert Security Bracket (#13) into Fixed Side Bottom Panel (#B) and Front Top Rail (C) before sliding Mattress Support Board (G) between Security Bracket and Mattress Crossbars.



M661/662 Crib Assembly Sheet

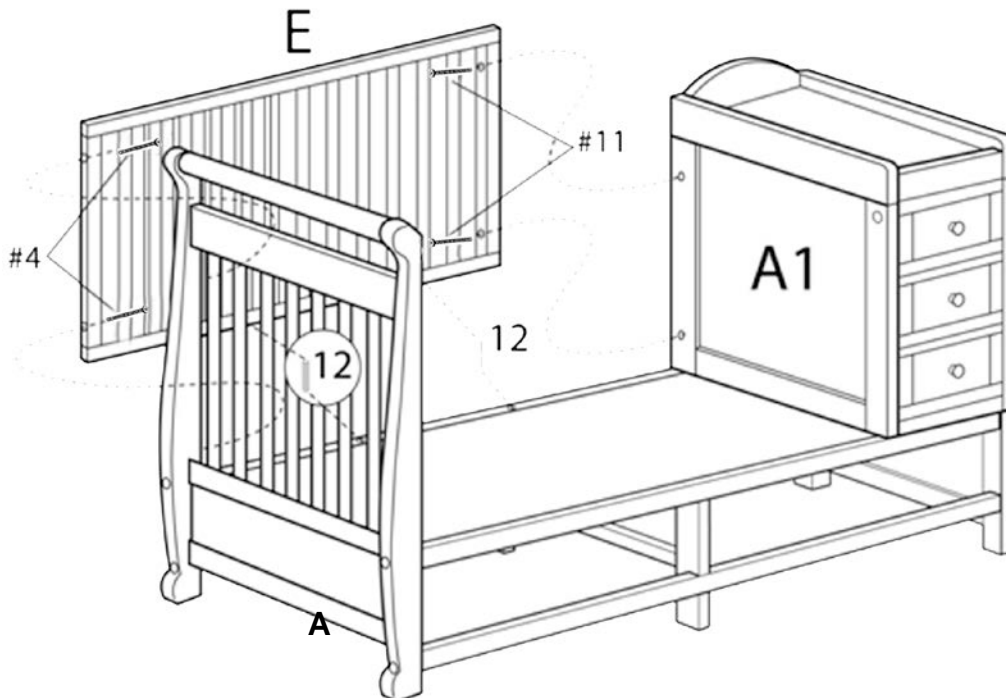
STEP 7:

Insert 2 Wood Dowels (#5) into Foot Board Bottom (J) before setting changing unit on the crib. Insert and secure 2 Bolts (#1) from the underside of Front Top Rail (C).



STEP 8:

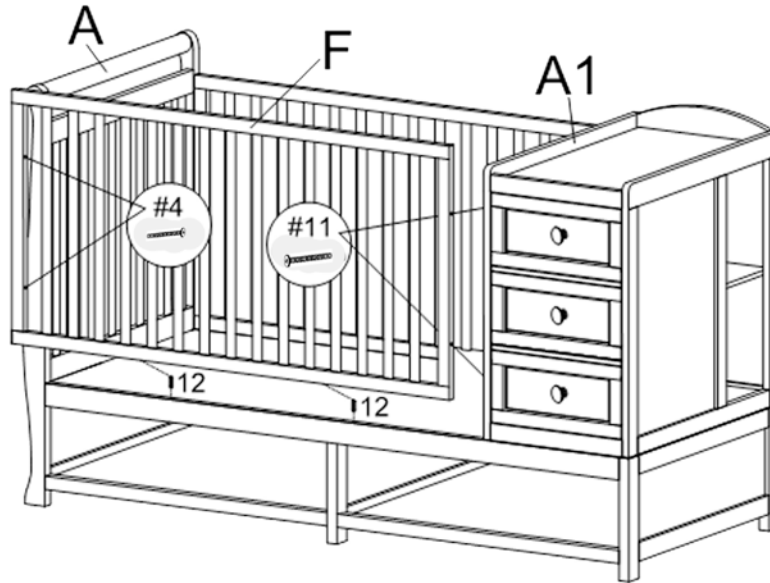
Insert 2 Wood Dowels (#12) into Fixed Side Bottom Panel (B) before attaching Back Panel (E). Attach Back Panel (E) to Headboard (A) using 2 Bolts (#4). Attach Back Panel (E) to Changer Left Panel (A1) by using 2 Bolts (#11).



M661/662 Crib Assembly Sheet

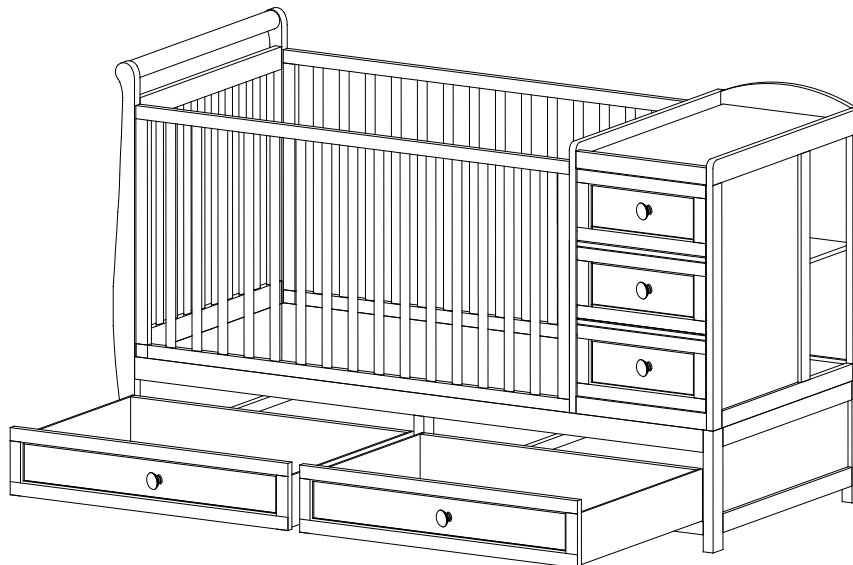
STEP 9:

Insert 2 Wood Dowels (#12) into Front Top Rail (C).
Attach Front Panel (F) to Headboard (A) using 2 Bolts (#4)
Attach Front Panel (F) to Changer Left Panel (A1) by using 2 Bolts (#11).



STEP 10:

Slide 2 drawers into bottom of crib.

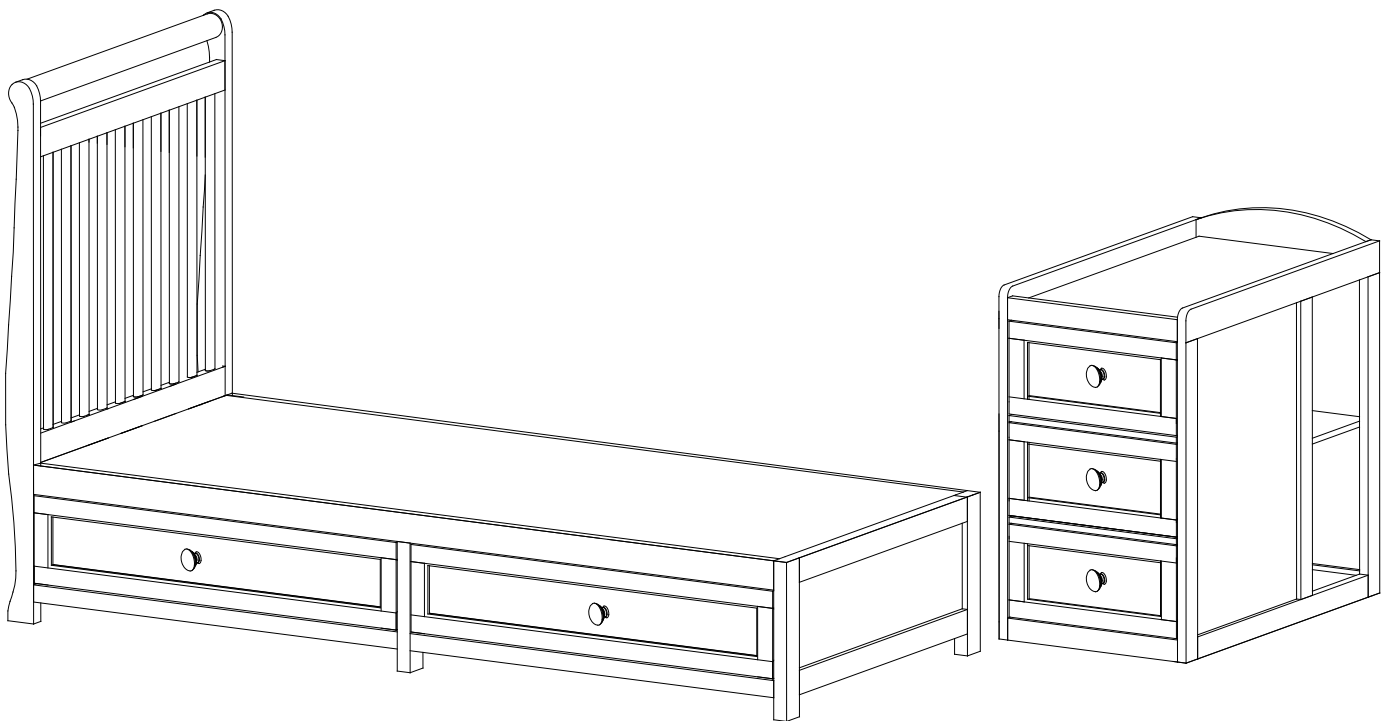


Crib Complete

M661/662 Youth Bed Assembly Sheet

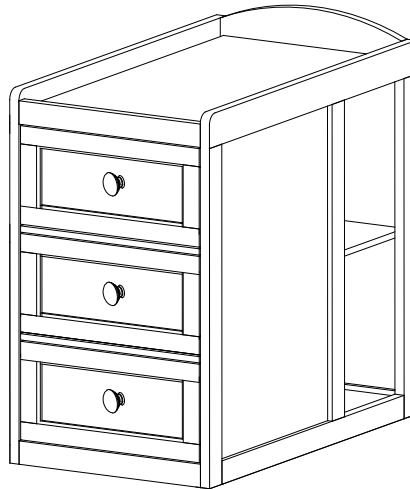
***Recommended youth bed mattress size: 68" x 27-1/4" x 4"**

- a. Remove Back Panel (E) and Front Panel (F) by unscrewing 8 Bolts (#11).
- b. Remove 4 Wood Dowels (#12) from Fixed Side Bottom Panel (B) and Front Top Rail (C).
- c. Remove changing unit by unscrewing 2 Bolts (#1) from the underside of Front Top Rail (C)
- d. Remove 2 Wood Dowels (#5) from Foot Board Bottom (J).



M661/662 Changing Table Unit

***Do not use the changing table if it is damaged or broken.**



**PAD (Recommended pad size:
27.5" x 15.5" x 1")**



SAFETY STRAP



***Above items (Pad & Safety Strap) are not included**

⚠️ WARNING ⚠️

IMPORTANT SAFETY NOTICE

This or any changer unit can tip or fall over for when not used for its intended purpose. This could potentially result in serious injury or death.

Keep your children and others safe by following these simple rules:

- Do not allow climbing on any changer unit.
- Do not leave drawers open when not in use.
- Do not allow standing in drawers
- Do not allow hanging from drawers.
- Do not allow standing on top of changer unit.
- Do not place heavy objects in drawers.
- Do not place heavy objects on top of the changer unit which can be pulled down on top of your child.
- To avoid head injury, do not allow your child to play underneath open drawers.
- Child must be securely fastened to changer unit when the unit is in use.
- Always monitor your child's activity when in the nursery.

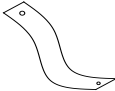
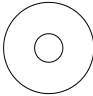
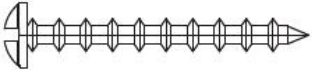


C661/662 Changer Unit Wall Safety Strap



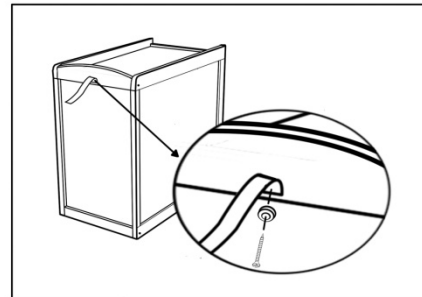
WARNING: WHEN UPRIGHT, IT IS POSSIBLE THAT THE FURNITURE MAY TIP OVER. FOR YOUR CHILD'S SAFETY, PLEASE INSTALL THE SAFETY WALL STRAP BEHIND THE FURNITURE.

- **TOOLS NECESSARY: RUBBER Mallet, PHILLIPS SCREW DRIVER.**
- **TOOLS AND HARDWARE SHOWN ARE NOT INCLUDED.**

PLEASE READ ALL INSTRUCTIONS CAREFULLY BEFORE USING THIS PRODUCT AND KEEP THESE INSTRUCTIONS FOR FUTURE REFERENCE. IF YOU HAVE ANY QUESTIONS, PLEASE EMAIL US AT: SERVICE@AFGBABYFURNITURE.COM OR VISIT WWW.AFGBABYFURNITURE.COM

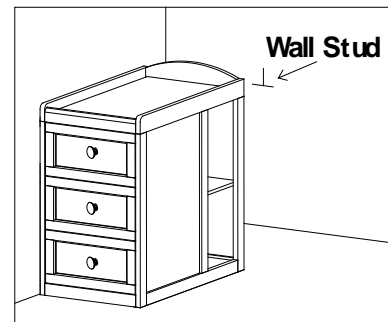
| | | |
|---|---|---|
| <p>Safety Wall Strap 8" x 1.5" (1 pc)</p>  | <p>Washer (2 pcs)</p>  | <p>Screw D4 x 1-3/8" (1 pc)</p>  |
| <p>Screw D4 x 3/4" (1 pc)</p>  | <p>Wall Stud (1 pc)</p>  | |

STEP 1: Make a mark near the top of the back side of the furniture (in the center toward the top frame of the furniture of where you would like to install the safety wall strap). Insert the short screw through the washer and through the safety wall strap. Install the screw into where the mark was made behind the furniture using a Phillips screw driver



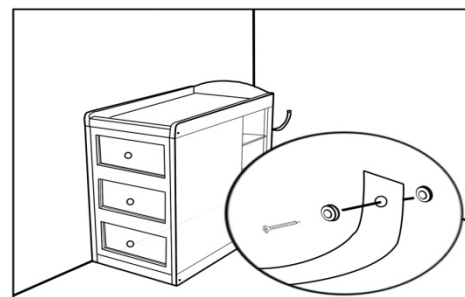
STEP 2: Locate a wall stud. With the back of the furniture against the wall, locate the middle of the top of the dresser and make a mark against the wall. Measure 5cm down from the mark and drill a 1/8" pilot hole through the wall stud and into the plaster wall.

CAUTION: The changer unit must be centered on a wall stud as shown. If you are unsure of how to locate the wall stud, contact a professional contractor.



STEP 3: Attach the wall strap to the wall stud using the long 1-1/2" screw and washer as shown. Make sure strap holds steady and complete installation.

CAUTION: Do not attempt to screw into the plaster wall only. You must screw into a wall stud.



Safety Tips for Assembling and Re-assembling Cribs

- Parents should not use any crib with missing, broken or loose hardware parts. Crib slats or spindles should be spaced no more than 2-3/8" apart, and none should be loose or missing. NEVER use a crib with corner posts over 1/16" of an inch above the end panels (unless they are over 16" high for a canopy).
- Check this product for damaged hardware, loose joints, and loose bolts or other fasteners, missing parts, or sharp edges before and after assembly and frequently during use. Securely tighten loose bolts and other fasteners. DO NOT use crib if any parts are missing, damaged or broken. Contact (AFG International Products Inc.) for replacement parts and instructional literature if needed. DO NOT substitute parts.
- Never place infants to sleep on pillows, sofa cushions, adult beds, waterbeds, beanbags, or any other surface not specifically designed for infant sleep.
- Always check all sides and corners of the crib to assure proper assembly with no openings that may entrap a child. The crib mattress should fit snugly with no more than two fingers width, one-inch, between the edge of the mattress and the crib side. Otherwise, the baby can get trapped between the mattress and the side of the crib.
- Do not try to repair any side of the crib without manufacturer-approved hardware.
- Putting a broken side up against the wall is not a solution and can often make the situation worse.
- When re-assembling the crib for your second child, please keep in mind that the screw holes will need to be filled in order for the screws to grip to the wood. Talk to your local hardware store or lumberyard about how to do it properly.

One year limited warranty

AFG International Products Inc. © wants you to be satisfied with any product that bears the AFG name or logo. We will provide promptly, at the request of the retailer, and without charge, any missing parts that have been reported, with proper description, within 7 days of the purchase of the products. Our warranty guarantees optimal workmanship and lack of significant defects. The product warranty lasts a year from the date of your purchase. Please keep the original receipt so that we may process your one year limited warranty request. This warranty only covers new units with original packaging. Ownership of the warranty is non-transferable. The warranty does not cover any used, second-hand, or demo models. Our obligation under this warranty is to replace or repair the merchandise, at our option, free of charge. This warranty does not cover any damaged or defective parts that result from normal wear and tear, abuse, negligence, improper use or alteration to the finish design, and hardware. Specific rights issued by this warranty may vary from state to state. Some states do not allow limitations on how long implied warranties last. DO NOT return products to the store once a product is used, it cannot be resold and the materials and energy invested in the product would go to waste. In the event that AFG determines that a defect that may result from customer abuse or misuse, we will contact you with information about services and methods to prevent occurrences. We strongly recommend you register your product with our company by filling out registration and mailing it back to us. This ensures you are up-to-date with our products' maintenance and information.

This warranty does not cover damage caused by accident, misuse or any use other than as intended and described in this assembly sheet or damage resulting from failure to maintain and clean this product as specified in this assembly sheet. This warranty applies only to the original purchaser of the AFG International Products Inc. product.

Care and Maintenance

- **Storage:** The crib must be kept in a dry and clean area. Solid wood tends to exchange moisture with the surrounding air and reacts to major changes in temperature and humidity. It is best to place your furniture away from heating or air-conditioning vents. Direct exposure to sunlight can discolor the wood, so do not place your product where it will receive prolonged sunlight exposure.
- **Care and Cleaning:** Do not scratch or chip the finish. Do not use abrasive chemicals for cleaning. Clean with mild soap on a soft rag. Rinse and dry thoroughly. If you choose to refinish this furniture, be sure to use only a non-toxic finish specified for children's products.
- Wood is a natural material. As such, it can be affected by changes in temperature and humidity. Extreme changes in humidity and temperature can cause the wood to warp, swell, crack, or shrink, thus compromising the structural integrity of the crib and making it dangerous to use.

CAUTION! Safety Tips for Use of Cribs

Many older cribs, including secondhand or second use cribs, may not meet all current safety standards. For baby's safety, even if you are on a tight budget, you should not purchase a used crib at a garage sale or accept a hand-me-down that does not meet the most recent Federal and ASTM standards.

Thank you for choosing AFG.

MADE IN VIETNAM AFG ©