

VIGO INDUSTRIES INSTALLATION GUIDE FOR SHOWER DOOR (MODEL VG06041)



SAFETY PRECAUTIONS

This Installation Guide uses the following symbols to indicate important information. Always observe the instructions indicated by these symbols.

WARNING

Instructions that, if ignored, could result in death or serious personal injury caused by incorrect handling or installation of the product. These instructions must be observed for safe installation.

CAUTION

Instructions that, if ignored, could result in personal injury or material damage caused by improper handling or installation of the product. These instructions must be observed for safe installation.

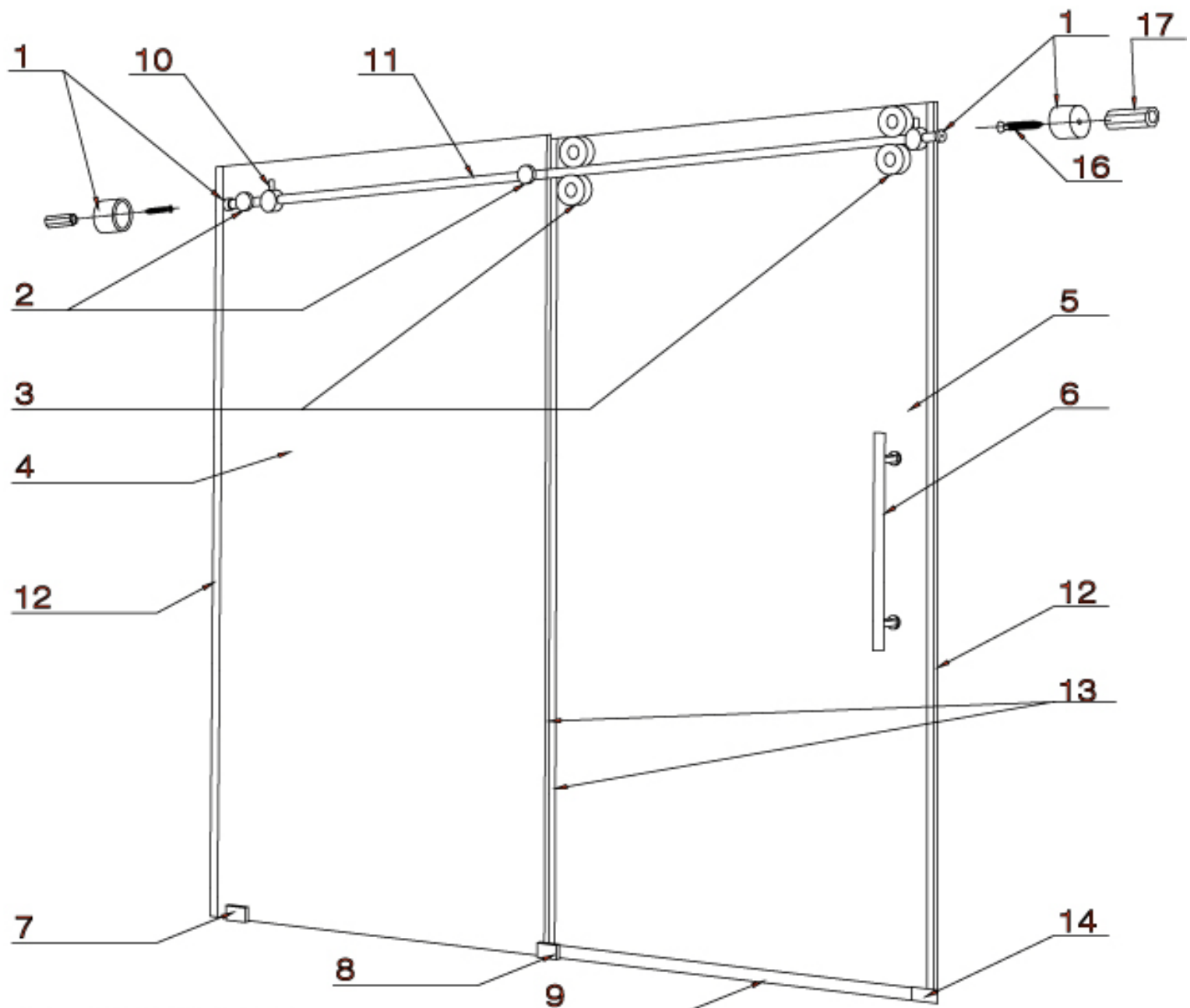
IMPORTANT

Maintenance and other important non-personal injury and non-material damage instructions or statements that should be observed.

VIGO INDUSTRIES INSTALLATION GUIDE FOR SHOWER DOOR (MODEL VG06041)








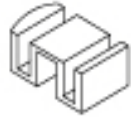



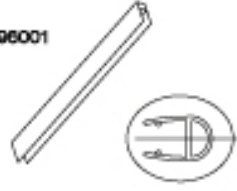
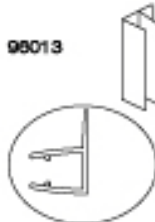




PACKING LIST:

- | | | |
|----------------------------------|---|------------------------------------|
| 1. Wall mount bracket (2pc) | 8. Door bottom guide (1pc) | 14. Threshold extension clip (1pc) |
| 2. Fixed panel holders (2pc) | 9. Door threshold (1pc) | 15. Phillips screw 2" (2pc) |
| 3. Rollers (4pc) | 10. Door stopper (2pc) | 16. Phillips screw 3/4" (4pc) |
| 4. Fixed panel (1pc) | 11. Structural rail (1pc) | 17. Plastic anchors (6pc) |
| 5. Door (1pc) | 12. Door and fixed panel seal strip (2pc) | |
| 6. Handle assembly (1pc) | 13. Door seal strip (4pc) | |
| 7. Fixed panel bottom clip (1pc) | | |

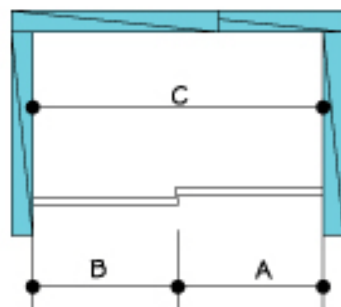


GLASS THICKNESS 3/8"

MODEL VG06041

<p>1. WALL MOUNT BRACKET ASSEMBLY 98018</p> 	<p>2. FIXED PANEL HOLDER 98019</p> 	<p>3. ROLLERS 98020</p> 	<p>4. FIXED PANEL 97015-48x74 97015-60x66 97015-60x74 97015-72x66</p> 	<p>5. DOOR 97016-48x74 97016-60x66 97016-60x74 97016-72x66</p> 
<p>6. HANDLE ASSEMBLY 98021</p> 	<p>7. FIXED PANEL BOTTOM CLIP 98022</p> 	<p>8. DOOR BOTTOM GUIDE 98023</p> 	<p>9. DOOR THRESHOLD 95005-48 95005-60 95005-72</p> 	<p>10. DOOR STOPPER 98024</p> 
<p>11. STRUCTURAL RAIL 98025</p> 	<p>12. DOOR AND FIXED PANEL SEAL STRIP 96001</p> 	<p>13. DOOR SEAL STRIP 96013</p> 	<p>14. THRESHOLD EXTENSION CLIP 95008</p> 	<p>15. SCREWS 2"</p> 
<p>16. SCREWS 3/4"</p> 	<p>17. PLASTIC ANCHOR</p> 			

LIST DIMENSIONS	DIMENSION "A" (DOOR)	DIMENSION "B" (FIXED PANEL)	ADJUSTABLE DIMENSION "C" (WIDTH)	HEIGHT
48X74	25 7/8"	23 15/16"	44 1/2"-48"	74"
60X74	31 7/8"	29 15/16"	56"-60"	74"
60X66	31 7/8"	29 15/16"	56"-60"	66"
72X74	36 3/16"	36 3/16"	68"-71 9/16"	74"



⚠ WARNING

WE STRONGLY RECOMMEND THAT A LICENSED PLUMBER INSTALL THIS STANDING SHOWER CABIN AND INCLUDE THE ASSISTANCE OF A SECOND PERSON TO INSTALL THE DOOR UNIT.

INSTALLATION OF THE SHOWER DOORS BY AN INEXPERIENCED PERSON MAY RESULT IN GLASS BREAKAGE AND, CONSEQUENTLY, CAUSE PERSONAL INJURY OR DEATH.

BEFORE STARTING

Compare items on your invoice with what you have received. Carefully review the Packing List on page 2. If any item is missing, please call Vigo Industries at 1-866-591-7792.

REQUIRED TOOLS

- Square and/or Phillips #1 and #2 screwdriver
- Flat head screwdriver
- Electric drill plus a 1/8", 3/16", or 7/32" drill bit (depending on wall)
- Level
- Measuring Tape
- Pencil (non-permanent; HB)
- Clear silicone caulking
- Utility knife

⚠ WARNING

- Handle fragile items with care to prevent personal injury or material damage.
- Glass on panels and doors is tempered glass and must never be cut to prevent personal injury.

⊘ IMPORTANT

- Fiberglass or acrylic construction might not be sufficiently strong enough to support the shower door enclosure. You should use the wood framing from behind the face edge of the stall to provide a secure mounting to the door. Apply a bead of silicone between the walls and base of the stall.
- For optimum performance, you should install the shower door perfectly level on a level surface.

MODEL VG06041 HAS A REVERSIBLE DOOR AND CAN THEREFORE BE INSTALLED TO EITHER THE RIGHT OR LEFT SIDE (SEE CONFIGURATION DIAGRAM BELOW)

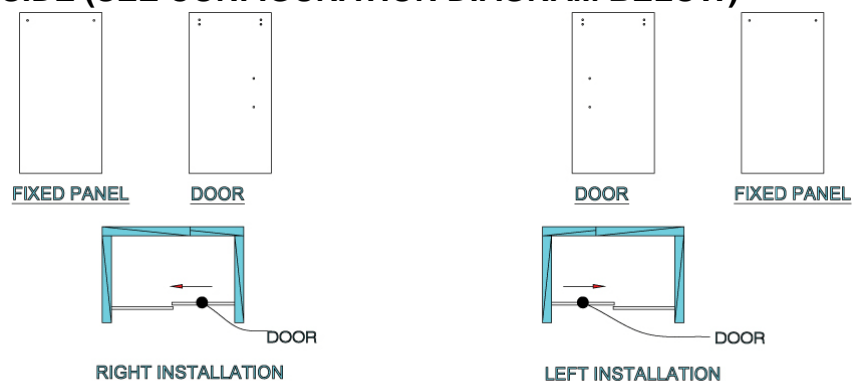


FIG. 1A (GLASS CONFIGURATION DIAGRAM)

MODEL VG06041

PREPARATION STEPS TO FOLLOW BEFORE INSTALLATION

1. Remove the plastic layer from the base border (if needed). Do NOT remove the plastic layer off the plastic platform of the base.
2. Properly apply silicone to the wall and base joints.

⊘ IMPORTANT

- Verify that the overall size of the shower door opening is appropriate for the shower enclosure. If necessary, cut the structural rail to match the length of the opening (see page 3 diagram).
- Due to individual site variations, exact guidelines for every situation cannot be supplied. The recommended framing and dimensional requirements are shown for a typical application and may vary depending on the site requirements.
- To prevent damage to the finish, you should protect the shower cabin bottom with a cardboard protector before beginning the installation.
- Ensure that there is sufficient structural support behind the shower wall to hold the weight of the shower door. If there is not sufficient enough support, then reinforce the shower walls with wooden studs prior to shower door installation. [SEE FIG.1]

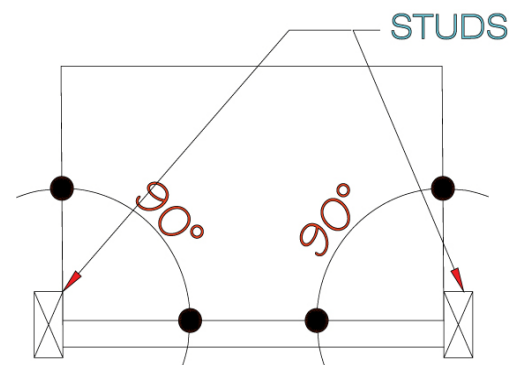


FIG.1

INSTALLATION STEPS

A. INSTALLING THE STRUCTURAL BAR

1. Slide stoppers (#10) onto the structural rail (#11). [SEE FIG.2]
2. Place the wall mount brackets (#1) on both ends of the structural rail. Place rail into the cabin opening (FIG.4). If the rail is too long, then cut it with the hacksaw to fit in the opening. Make sure to cut the rail on the shower door side only.
3. Screw the structural rail (#11) to the fixed panel (#4) with the fixed panel holders (#2). [SEE FIG.3]
4. Place seal strip (#12) to the fixed panel from the side of the wall.
5. Position the fixed panel and structural rail assembly in the shower door opening. [SEE FIG.4]

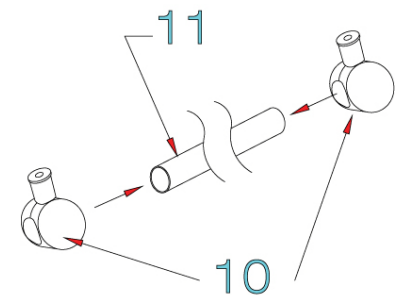
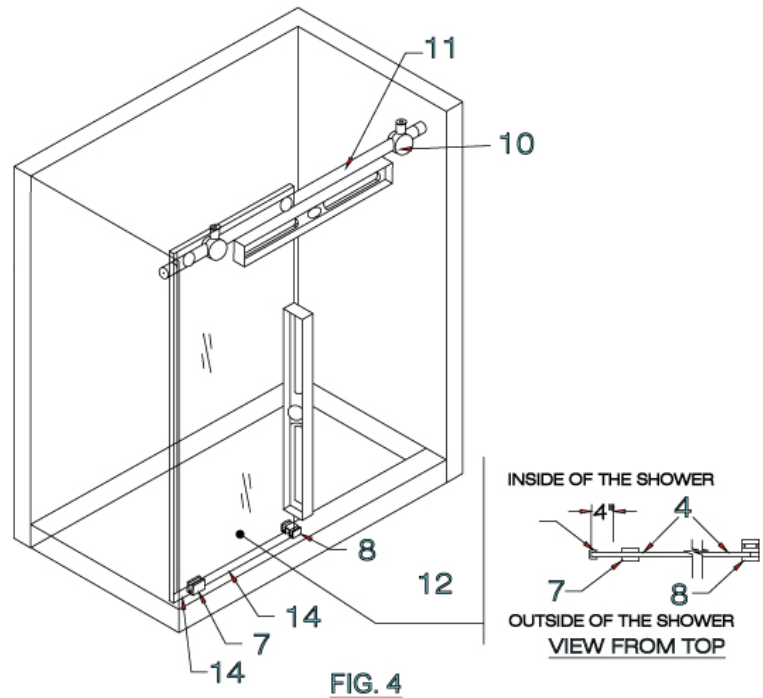
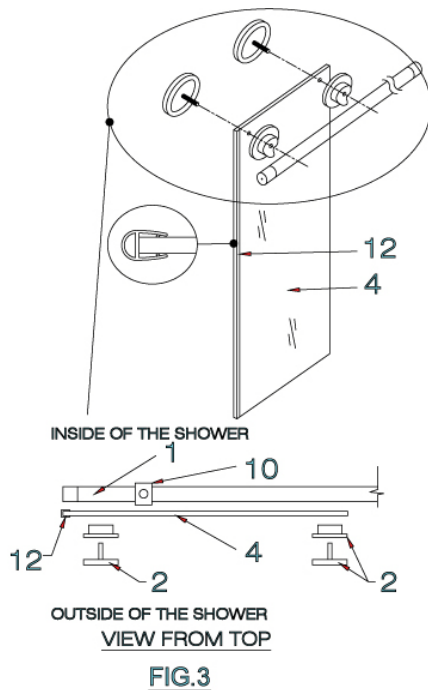


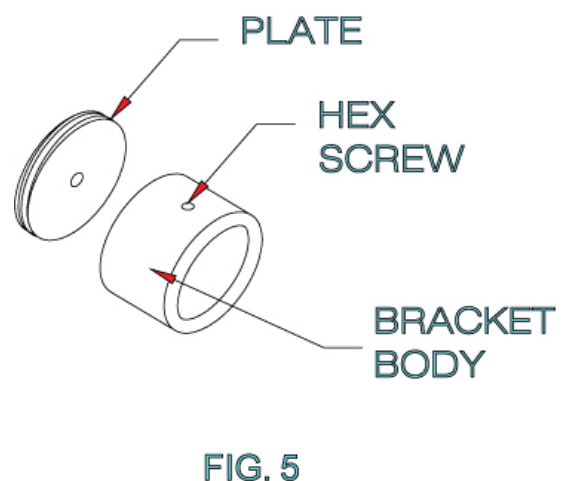
FIG.2

- Position the fixed panel bottom clip (#7) and the door bottom guide (#8) approximately 4 inches from the wall from the bottom of the fixed panel. The edge of the fixed panel should be even with the middle of the door bottom guide.
- Position the fixed panel and the structural rail assembly correctly using the level. Mark the circumference location of the wall mount brackets on the wall. Mark the fixed panel bottom clip location and bottom door guide on the floor.

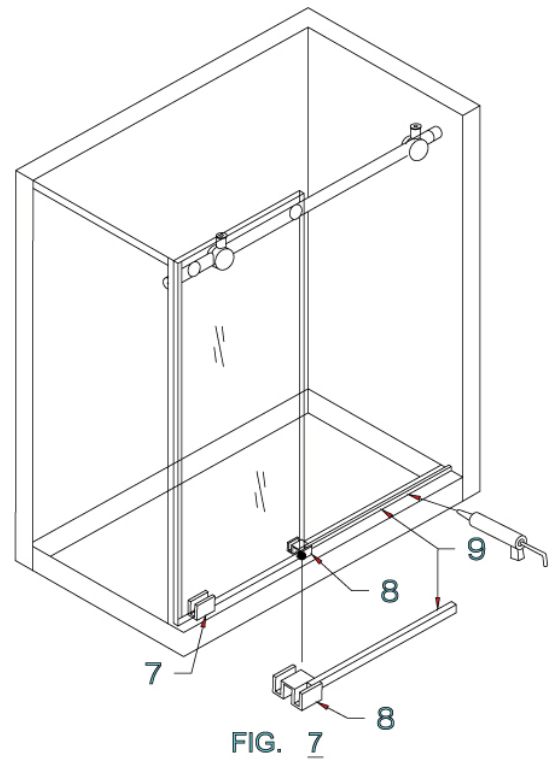
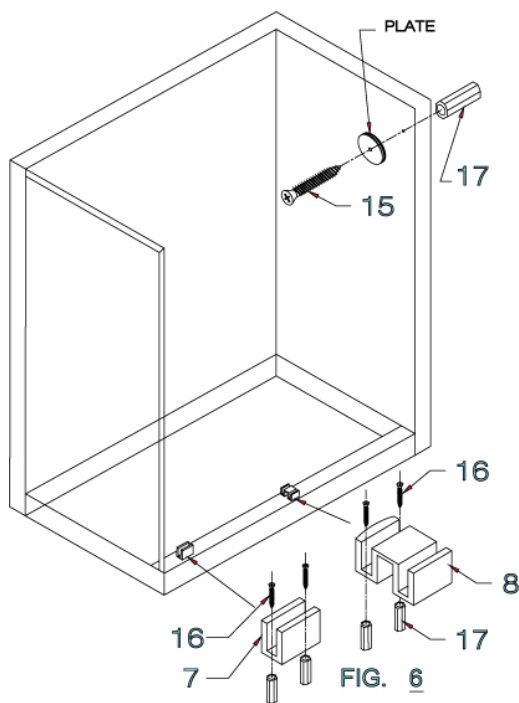


B. INSTALLING THE FIXED PANEL

- Remove the fixed panel (#4) and structural rail (#11) assembly from the shower door opening. Find the center of the marked circumference on the wall.
- Mark holes on the wall for the mounting screws. Drill holes and place plastic anchors (#17) inside them.
- Remove the wall mount bracket assembly (#1) from the structural rail assembly. Unscrew the plate from the bracket assembly body. [SEE FIG.5]
- Place plates to the wall opposite to the plastic anchors. Screw plates in with 2" screws (#15). [SEE FIG.6]



5. Place the fixed panel bottom clip (#7) and the door bottom guide (#8) to the marked locations on the floor. Mark holes on the floor for the mounting screws. Drill the holes and place the plastic anchors inside them.
6. Screw in the fixed panel bottom clip and the door bottom guide to the floor with 3/4" screws (#16). Place the bracket body back to the rail.
7. Place bracket body back on the rail.
8. Place the fixed panel with the structural rail assembly in its proper position and screw the bracket body to the plates.
9. Tighten the hex screws on the brackets with the hex key (supplied).



C. INSTALLING THE THRESHOLD

⊘ IMPORTANT

IN CASE THE THRESHOLD IS CUT TOO SHORT, USE THE THRESHOLD EXTENSION CLIP (#14) TO EXTEND THE THRESHOLD ACCORDINGLY.

1. Place the threshold (#9) to the bottom door guide (#8). If the threshold is too long, then cut it with the hacksaw until it fits in the opening. [SEE FIG.7]
2. Line up the threshold with the outside edge of the shower base. Mark its location on the shower base.
3. Remove the threshold. Apply silicone to the underside of the threshold. Place the threshold back to its shower base location. Align the threshold and press firmly down.
4. Apply silicone to the threshold around the inside and outside of the shower panel. Remove any excess silicone from the threshold.

D. INSTALLING THE DOOR

1. Screw the top rollers (#3) to the door (#5). [SEE FIG.8]
2. Place the structural rail (#11) assembly onto the door.
3. Verify that the bottom of the door aligns with the notch in the bottom door guide (#8).
4. Screw the bottom rollers (#3) to the door.
5. Adjust the stoppers' positions on the structural rail and tighten the hex screws.

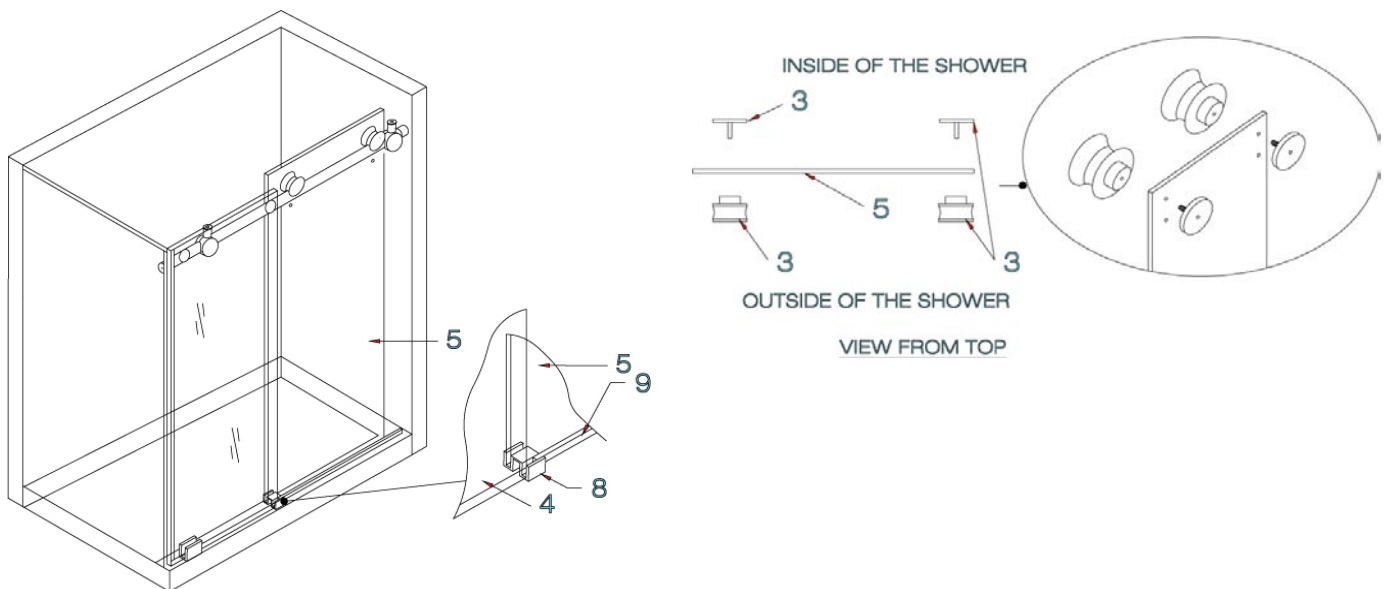


FIG. 8

E. INSTALLING THE HANDLE

1. Unscrew the handle holders from the handle assembly (#6).
2. Place the handle to the position on the door. Place plastic washers (supplied) on each side of the door. [SEE FIG.9]
3. Tighten the handle nuts from inside the shower.

F. INSTALLING THE WATER SEAL STRIP

Place the seal strip (#12, #13) to the door and to the fixed panel, respectively. [SEE FIG.10]

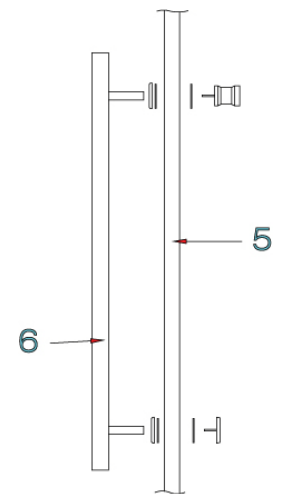


FIG. 9

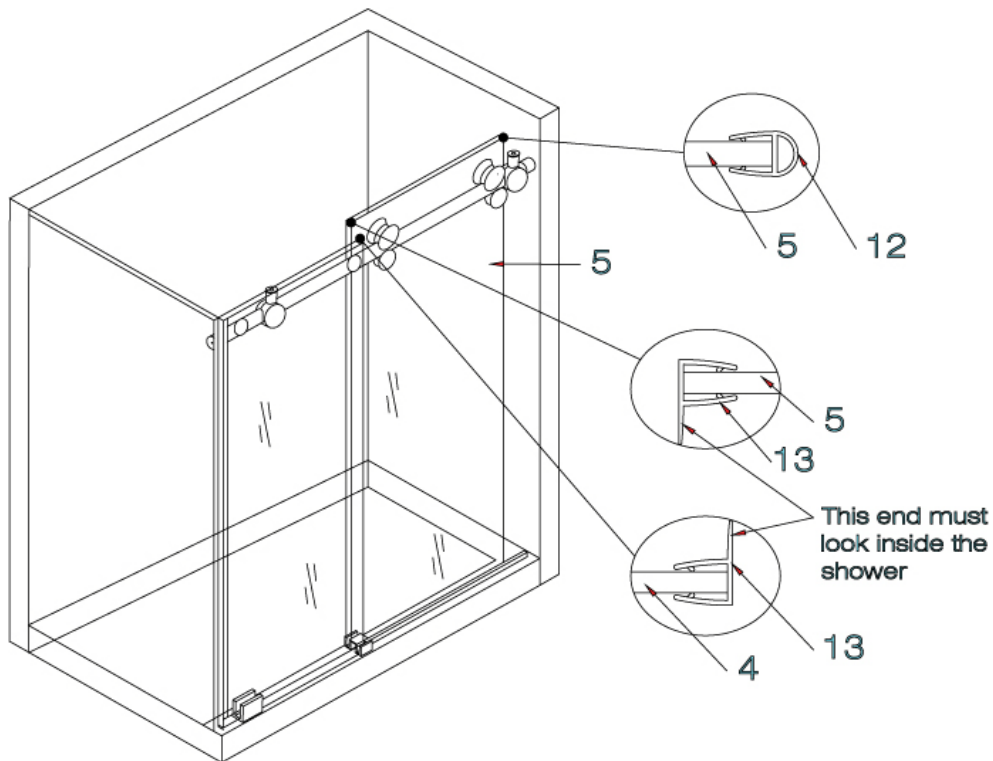
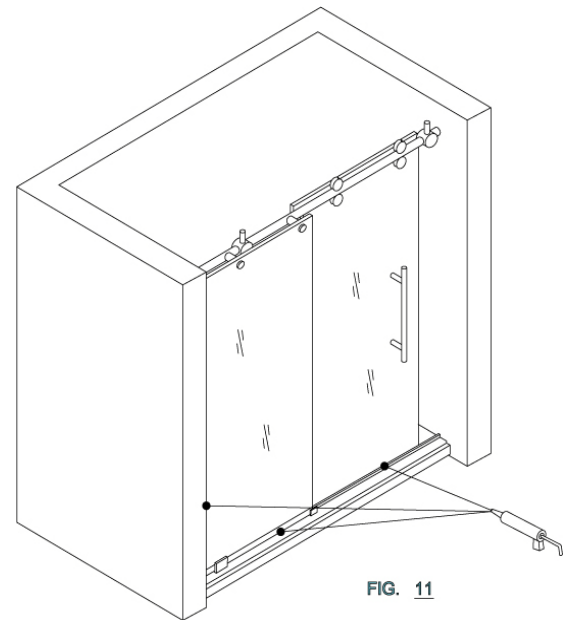


FIG. 10

G. APPLYING THE SILICONE

1. Apply clear silicone caulking along the wall and floor of the shower enclosure interior. [SEE FIG.11]
2. Apply clear silicone caulking along the fixed panel and threshold of the shower enclosure interior.



IMPORTANT

- **WAIT 24 HOURS BEFORE USING SHOWER.**
- **DO NOT ALLOW WATER TO DIRECTLY HIT DOOR SEAL STRIP.**

CLEANING INSTRUCTIONS FOR THE SHOWER CABIN AND DOOR PANEL

- A. Use mild liquid household cleaners to keep metal surface bright and clean. Rinse well and dry with a clean cloth.
- B. Remove dust with a soft, damp cloth.
- C. Use rubbing alcohol to clean and remove grease, oil, paint, and ink.
- D. Accidental scratches or stains will rarely show. If they do show, they can be easily removed with a liquid automobile polish.

IMPORTANT

- **Do NOT use** abrasive cleaners, scrapers, metal brushes, or any items/products that would scratch and/or dull surface.
- **Do NOT allow** surface to come into contact with acetone (nail polish remover), dry cleaning solution, lacquer thinner, gasoline, or any other similar product.



LIMITED WARRANTY

VIGO offers the following express limited warranty on each of its products. This warranty extends only to the original owner or end-user for personal household use. For commercial uses, additional limitations apply.

VIGO warrants acrylic units to be free from defects in workmanship and materials under normal use and service for a period of twenty (20) years from the initial date of purchase by the owner or end-user, contractor, or builder, from an authorized dealer.

VIGO warrants shower panels to be free from defects in workmanship and materials under normal use and service for a period of one (1) year from the initial date of purchase by the owner or end-user, contractor, or builder, from an authorized dealer.

VIGO warrants shower doors to be free from defects in workmanship and materials under normal use and service for a period of ten (10) years from the initial date of purchase by the owner or end-user, contractor, or builder, from an authorized dealer.

VIGO warrants faucets to be free from defects in workmanship and materials under normal use and service for a period of one (1) years from the initial date of purchase by the owner or end-user, contractor, or builder, from an authorized dealer.

Any product reported to the authorized dealer or to **VIGO** as being defective within the warranty period will be repaired or replaced (with a product of equal value) at the option of **VIGO**. This warranty extends to the original owner or end-user and is not transferable to a subsequent owner.

Neither the distributor, authorized **VIGO** dealer, nor any other person has been authorized to make any affirmation, representation, or warranty other than those contained in this warranty; any affirmation, representation, or warranty other than those contained in this warranty shall not be enforceable against **VIGO** or any other person.

VIGO reserves the right to modify this warranty at any time, it being understood that such modifications will not alter the warranty conditions applicable at the time of sale of the products in question.

EFFECTIVE JANUARY 1, 2004

Limitations

This warranty shall not apply following incorrect operating procedures, breakages, or damages caused by fault, carelessness, abuse, misuse, misapplication, improper maintenance, alteration, or alteration of the unit, as well as chemical or natural corrosion, accident, fire, flood, an act of God, or any other casualty. The owner/end-user of the product covered by the present warranty is entirely responsible for its proper installation and electrical wiring. **VIGO** neither installs nor supervises the installation nor hires a contractor for this purpose; consequently, **VIGO** cannot be held responsible for any default, breakage, or damages caused thereby or resulting thereof, either directly or indirectly. The owner/end-user must provide access to the components of the product as described in the installation guide so that **VIGO** can execute the warranty specified herein. If such access is not available, all expenses to provide said access will be the responsibility of the owner/end-user.

This warranty does not apply to products or equipment not installed or operated in accordance with instructions supplied by **VIGO** and all applicable rules, regulations, and legislation pertaining to such installations.

VIGO strongly recommends that its products – for example but without limitation, shower doors and other items – be installed by professionals with experience in bathroom products. Installation of shower doors by an inexperienced person may result in glass breakage and, consequently, cause personal injury or death.

VIGO is not liable for any costs, damages, or claims resulting from the purchase of products that do not fit through openings or existing structures. **VIGO** is not liable for any costs, damages, or claims resulting from defects that could have been discovered, repaired, or avoided by inspection and testing prior to installation.

VIGO is not liable for personal injuries or deaths to any persons or for any direct, special, incidental, or consequential damage, loss of time, loss of profits, inconvenience, incidental expenses, labor or material charges, or any other costs resulting from the use of the product or equipment or pertaining to the application of the present warranty, or resulting from the removal or replacement of any product or element or part covered by this warranty.

EXCEPT AS OTHERWISE PROVIDED ABOVE, VIGO MAKES NO WARRANTIES, EXPRESS OR IMPLIED, INCLUDING WARRANTIES OF MERCHANTABILITY AND FITNESS FOR A PARTICULAR PURPOSE OR COMPLIANCE WITH ANY CODE.

In any case, **VIGO** cannot be held liable for any amount over and above the purchase price paid for the product by the owner/end-user, contractor, or builder.

Commercial Limitations

In addition to the above conditions and limitations, the warranty period for products installed for commercial applications or used in commercial ventures is one (1) year from the initial date of purchase by the owner/end-user, contractor, or builder from an authorized dealer. **VIGO** is not responsible for loss of use or profit under any circumstances. If the product is used as a display, the warranty period begins when the product is placed on display.

This warranty gives the owner/end-user specific legal rights. The owner/end-user may also have other rights which can vary from one state or province to another.

Warranty Service

In order to obtain service provided under this warranty during regular business hours, contact the dealer or distributor who sold the unit, or contact **VIGO** directly. **VIGO** will provide the warranty service described above when the following conditions have been met: the failure is of the nature or type covered by the warranty; the user has informed an authorized **VIGO** Agent or Warranty Service Department representative of the nature of the problem during the warranty period; conclusive evidence (e.g., proof of purchase or installation) is provided to the foregoing by the user proving that the failure occurred or was discovered within the warranty period; an authorized independent service person or company representative has been permitted to inspect the product during regular business hours within a reasonable time after the problem was reported by the user.

VIGO's warranty obligation shall be discharged upon tender of replacement or repair. The customer's refusal to accept the tender terminates **VIGO's** warranty obligations.

Certain models are pending approval.

Certification may be ended by **VIGO** or certification agencies without notice.