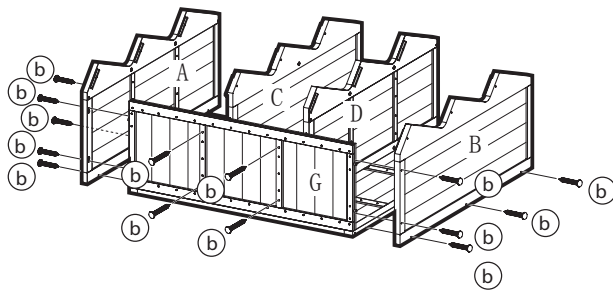


CUBBY SHELF MPG-EF01L

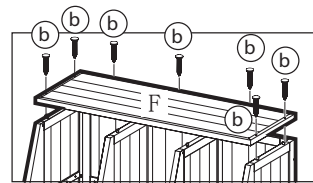
<p>1 Left Side Panel (A)</p>	<p>1 Left Divider (C)</p>	<p>1 Back Panel (E)</p>	<p>1 Top Panel (F)</p>	<p>5 Shelves (I)</p>	<p>(a) Screws 8 pcs + 1 extra</p> <p>(d) Pins (20 pcs)</p>
<p>1 Right Side Panel (B)</p>	<p>1 Right Divider (D)</p>		<p>1 Bottom Panel (G)</p>	<p>6 Shelf Lips (J)</p>	<p>(b) Screws 33 pcs + 1 extra</p> <p>(e) L-Brackets (2 pcs)</p>
			<p>4 Feet (H)</p>		<p>(c) Screws 6 pcs + 1 extra</p> <p>(f) Flat Brackets (1 pc)* *Needed Only for Stacking</p>

NOTE:

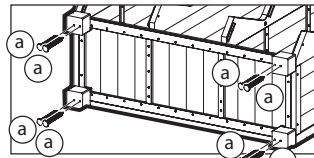
- Read all instructions before starting.
- Phillips Screwdriver recommended for assembly.



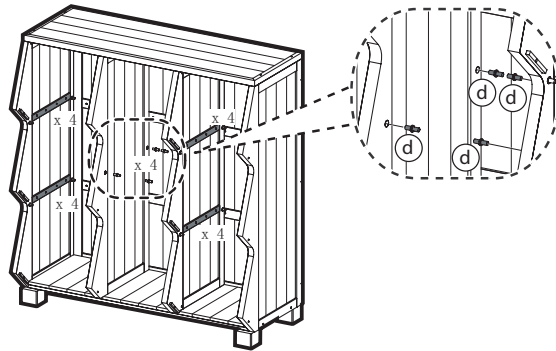
Step 1: Secure Side Panels (A and B), Dividers (C and D) and Bottom Panel (G) to Back Panel (E) using b screws.



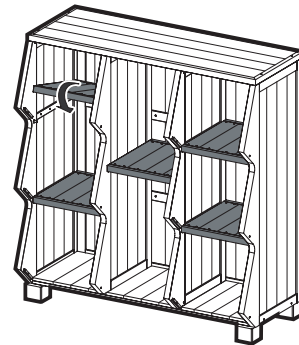
Step 2: Secure Top Panel (F).



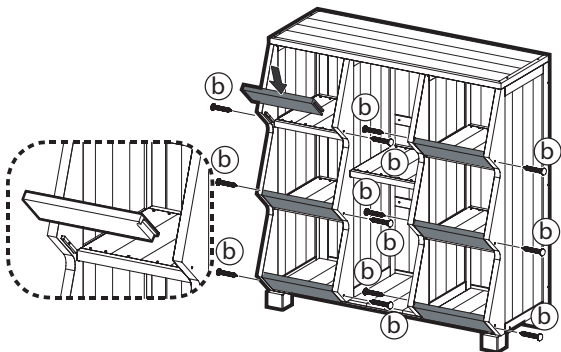
Step 3: Secure Feet (H) to Bottom Panel using a screws.



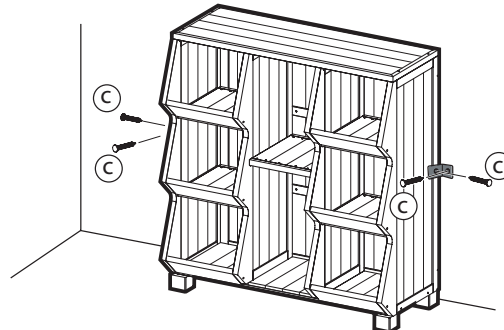
Step 4: Insert all d Pins into Side Panels and Dividers.



Step 5: Insert Shelves (I) into place.



Step 6: Insert Shelf Lips (J) into place and secure with b screws.



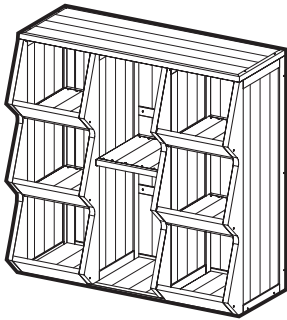
Step 7: Secure Cubby to wall with e L-Brackets using c screws.
* This step is optional, but recommended.



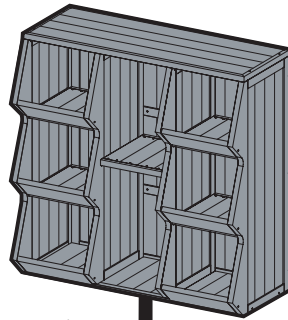
CUBBY SHELF MPG-EF01L STACKING INSTRUCTIONS



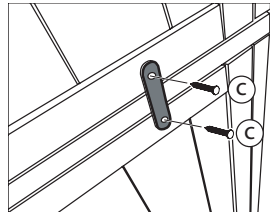
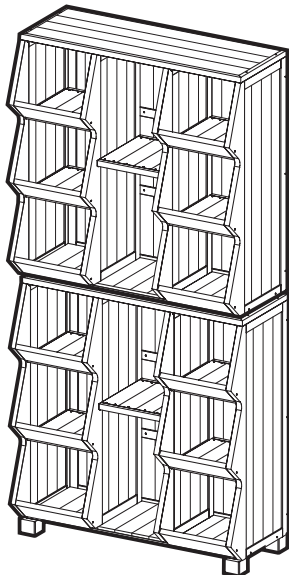
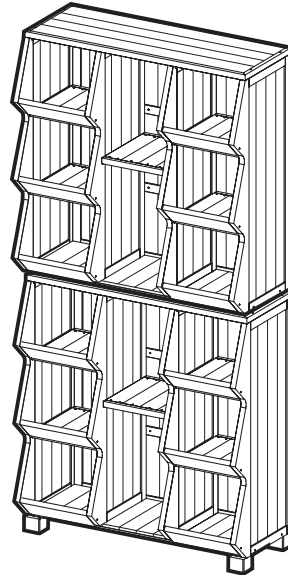
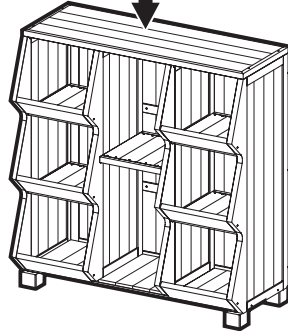
Do NOT attempt to lift a unit by yourself. If you would like to have two units stacked, two people are recommended to assemble and move this unit.



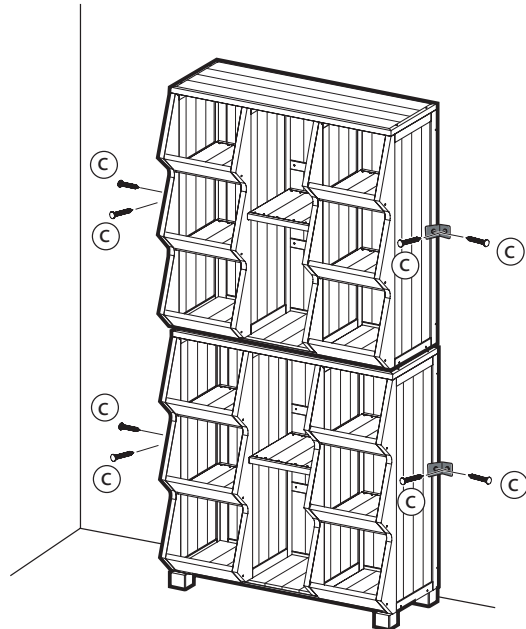
Step 1: Do NOT attach feet
to second unit
* Skip step 3 of assembly on
page 1.



Step 2: Place second unit on top.



Step 3: Secure both Flat Brackets
to the back of both units.
* This step connects the two units
together at the back.



Step 4: L-brackets
* This step is optional, but recommended
for both sides.



CUBBY SHELF MPG-EF01L

CARE INSTRUCTIONS

Thank you for choosing MERRY PRODUCTS™ FURNITURE. With little care and maintenance, MERRY PRODUCTS™ FURNITURE will provide you with comfort and enjoyment for many years to come!

- MERRY PRODUCTS™ FURNITURE may be used both indoor and outdoor.
- The Cubby Storage Unit has been treated with an oil-based stain. If used outdoors, staining or repainting with an oil-based weatherproof coating of your choice before use, and continued once a year, may increase the life expectancy and maintain the look of MERRY PRODUCTS™ FURNITURE.
- Cover the Cubby Storage Unit during harsh weather to keep it from weathering.
- Rinse any panels with water to clean.
- When assembling MERRY PRODUCTS™ FURNITURE, please handle all panels and/or hardware with care to avoid any possibilities of damages and/or injuries.