

Premium Vinyl Arched Top Gate



TRADITIONAL

REALLY



**Important stuff to know about
installing your WamBam gate.**



1-877-778-5733

www.wambamfence.com

Premium Vinyl Arched Top Gate Reality Check

WamBam FENCE

TRADITIONAL

1 - Read Over Fence Instructions First

Your gate and fence will work better together as an integrated solution if you first take the time to read and understand your fence instructions.

2 - Do a Dry Run First on the Gate Frame Only (not pickets or boards)

Please do not glue or screw your gate frame together until you have first temporarily assembled the gate. In other words, do a dry run first.

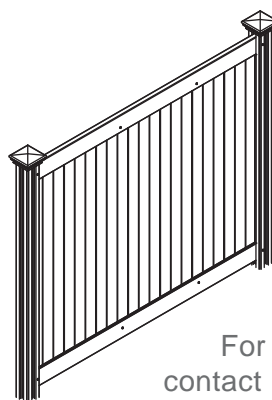
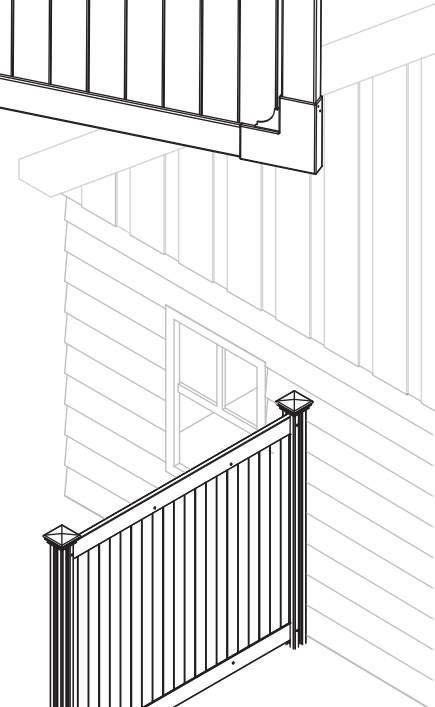
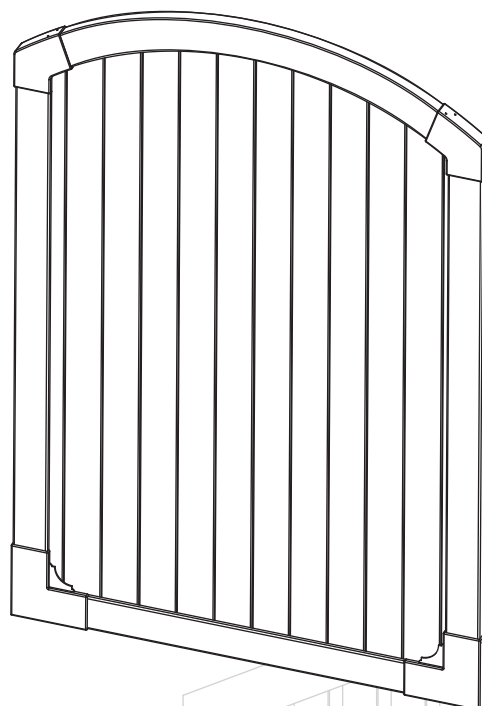
This will ensure three things:

- That you have everything necessary to complete the gate.*
- That you will have assembled the gate in the correct order.*
- All the pieces fit and function properly.*

It's easier to trouble shoot when things are not glued and screwed together. After you assemble your gate correctly, please disassemble as necessary and use glue and screws to permanently assemble the gate.

3 - Ideally, Install Your Gate Posts Before Your Fence Posts

Your fence panels will be more forgiving for a custom fit than your gate. Ideally, position and install your gate posts before you do anything else, or very early on in the process of setting up your fence run.

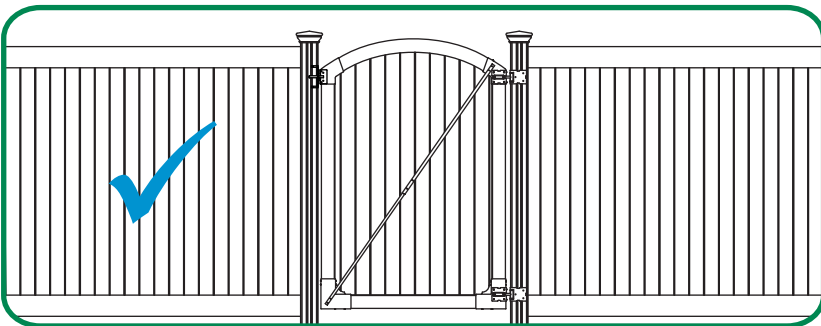


**Install Your Gate Posts
Before Installing Your
Fence Posts.**

For more information,
contact us at 1 877-778-5733.

4 - Ideally, Do Not Hang Your Gate System Off a Single Non-Supported Post.

Your gate will perform better and last longer if your hinge post is connected to a panel of fence which is connected to another post. The weight strain will be transferred unto two posts versus just one. Installing fence panels on both sides of your gate is the ideal in all situations. If this is not possible because of space restrictions, please contact us for alternative solutions to overcome.



Do Not Hang Gate on Lone Soldier Post.

Premium Arched Top Vinyl Gate

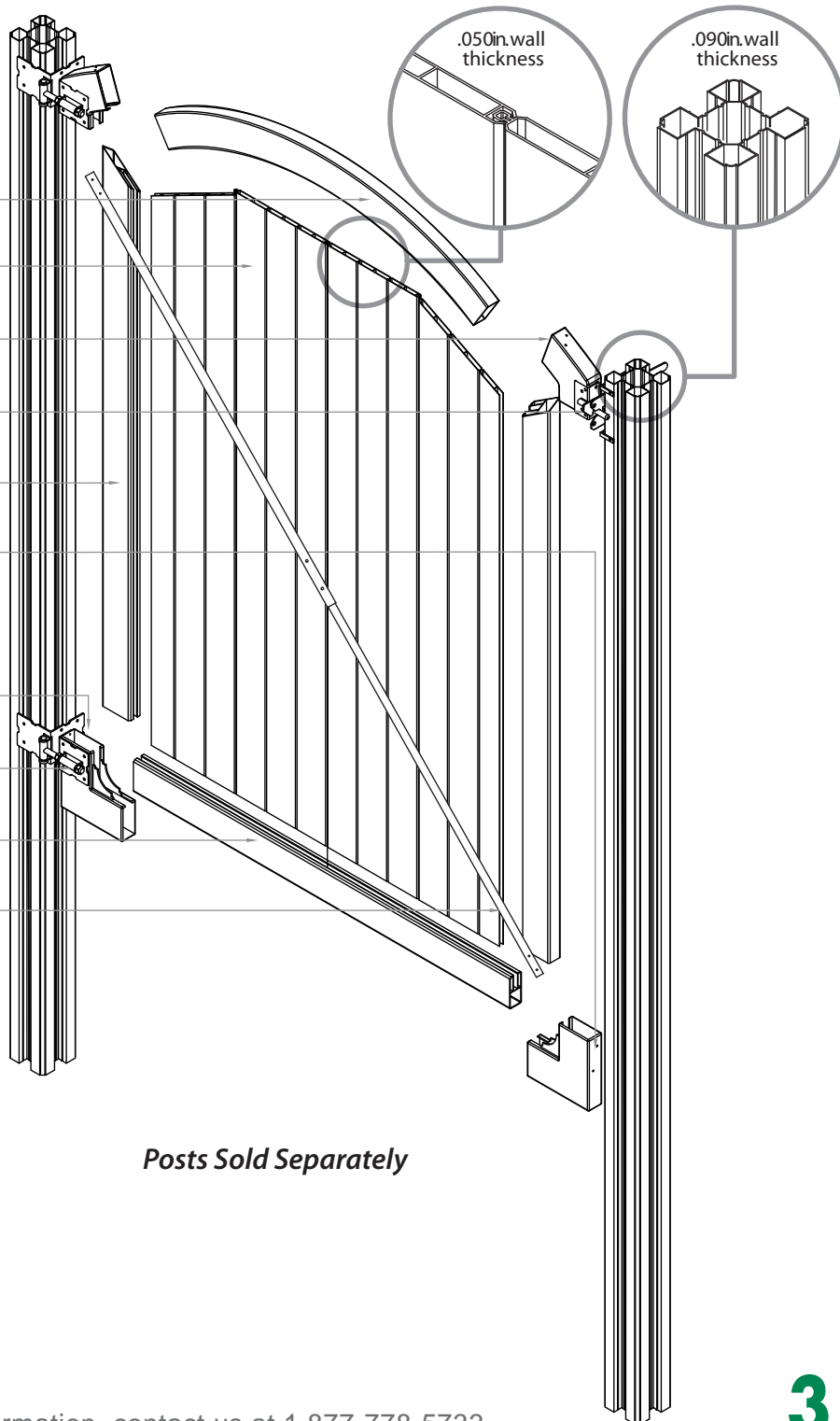
Box Contents

WamBam FENCE

TRADITIONAL

Each Gate Box Includes:

- Gate Arch (1)
- Privacy Boards (4)
- Gate Arch Top Bracket (2)
- Gate Latch (1)
- Vertical Stile (2)
- Stainless Steel Screws (20)
- Tube of Glue (1)
- Gate Bottom Bracket (2)
- Gate Hinges (2)
- Bottom Rail (1)
- Gate Brace (1)

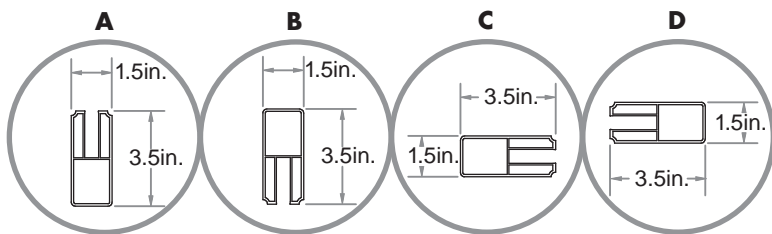
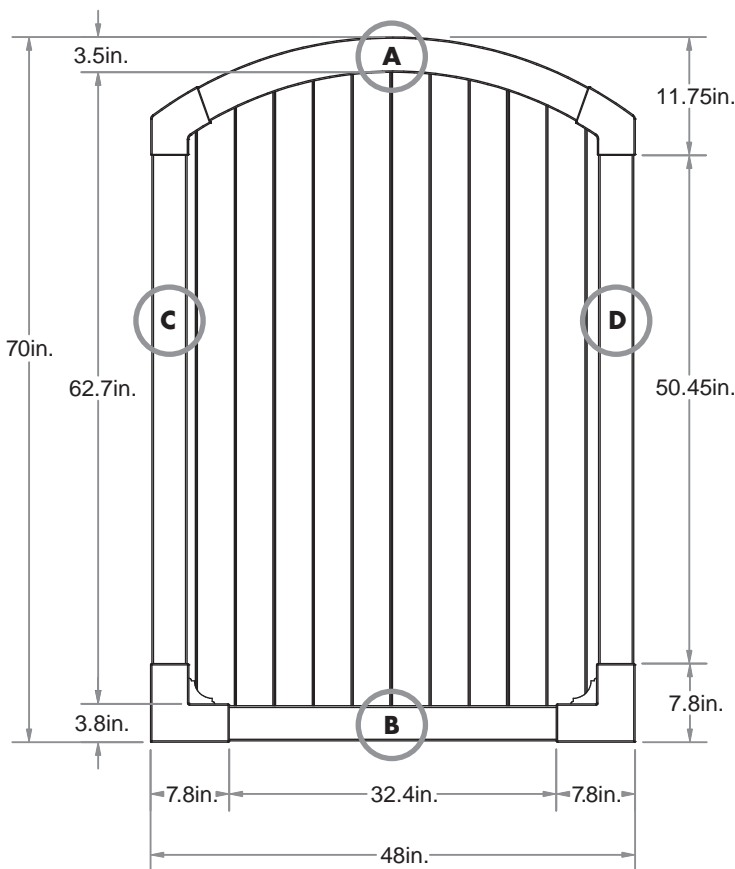


Posts Sold Separately

For more information, contact us at 1 877-778-5733.

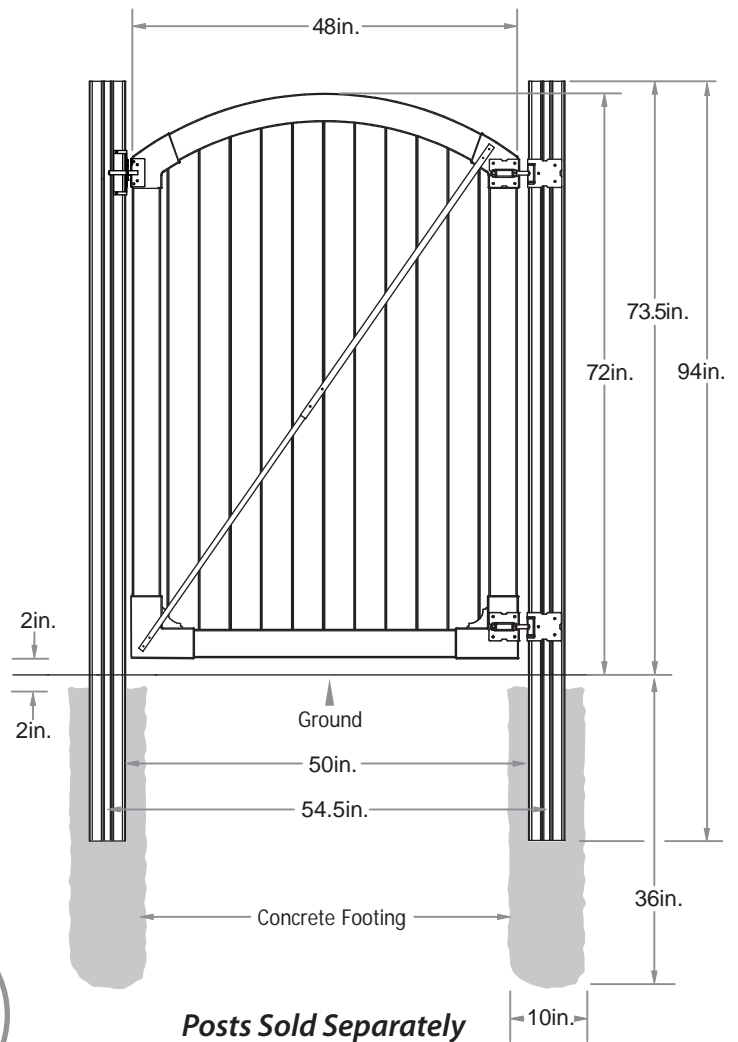
PRODUCT OVERVIEW

Gate Assembly



.090in. wall thickness

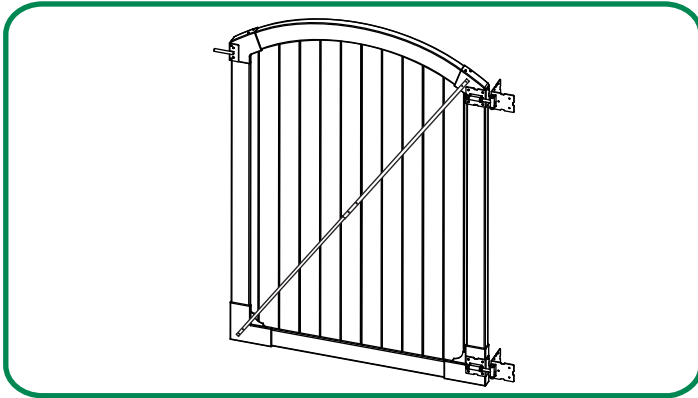
Gate Installation



Detailed Installation Instructions

TRADITIONAL

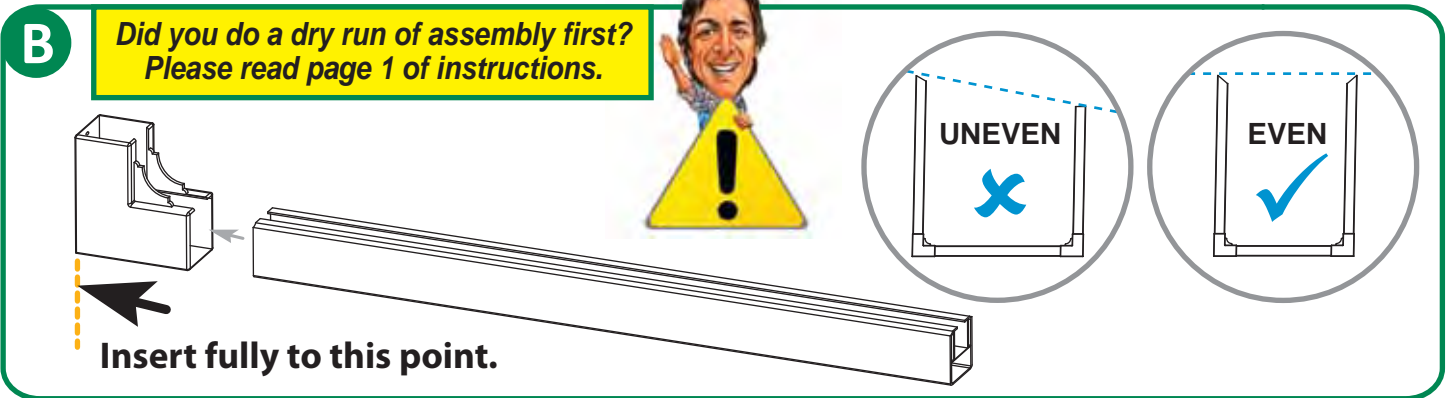
STEP 1 Assemble the Gate Frame Bottom & Sides



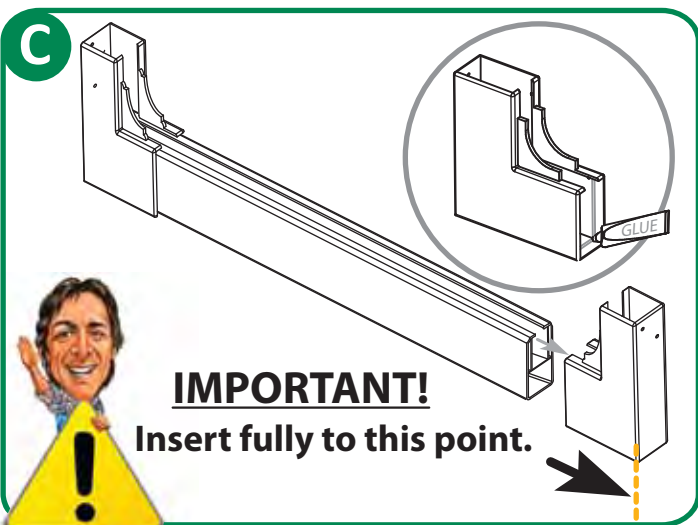
Completely assembled gate shown.



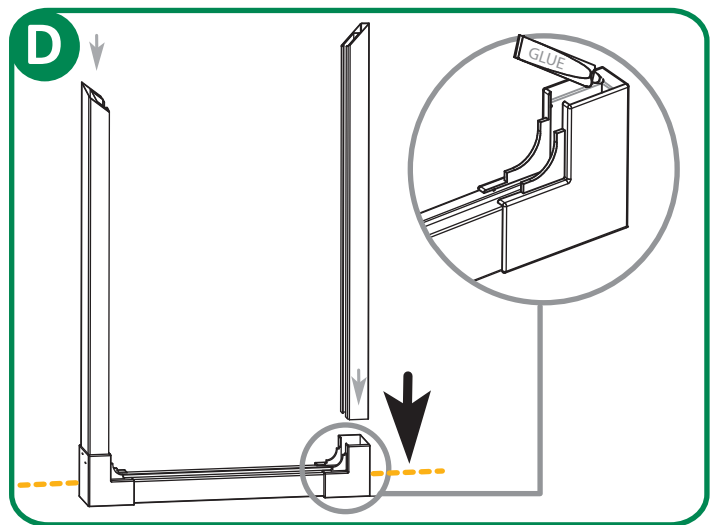
A - Run bead of vinyl weld continuously around the inside of the gate bracket.



B - Insert the bottom rail **ALL THE WAY** until it **BOTTOMS OUT** inside gate bracket



C - Insert the bottom rail **ALL THE WAY** until it **BOTTOMS OUT** INSIDE GATE BRACKET

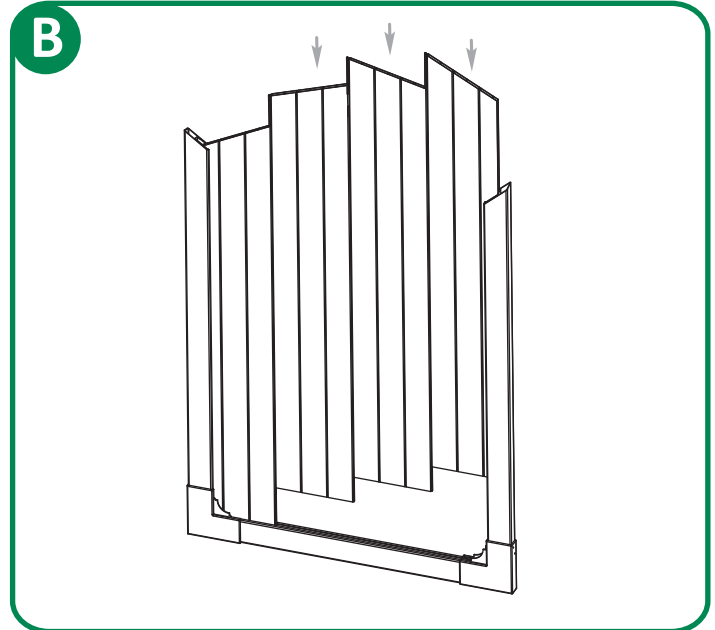


D - Insert vertical gate stiles. They will **BOTTOM OUT** against bottom horizontal rail.

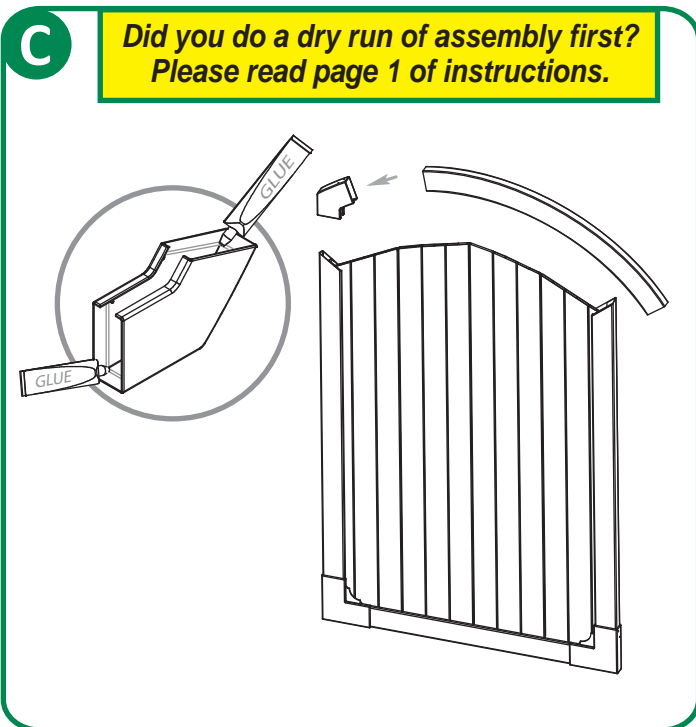
STEP 2 Insert Boards & Assemble the Gate Frame Top



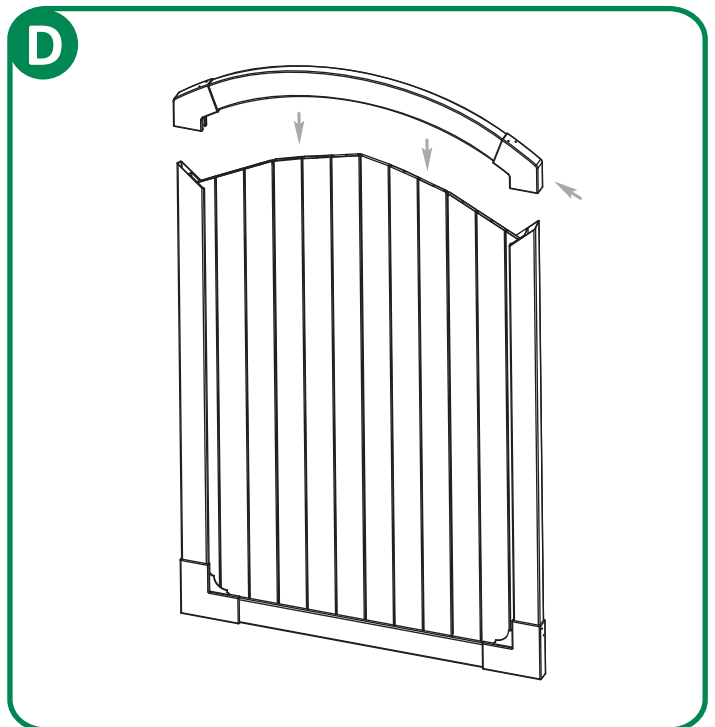
A - Insert tongue and groove privacy board tight into the vertical stile.



B - Privacy boards should bottom-out inside bottom rail.



C - Insert gate arch fully into bracket.



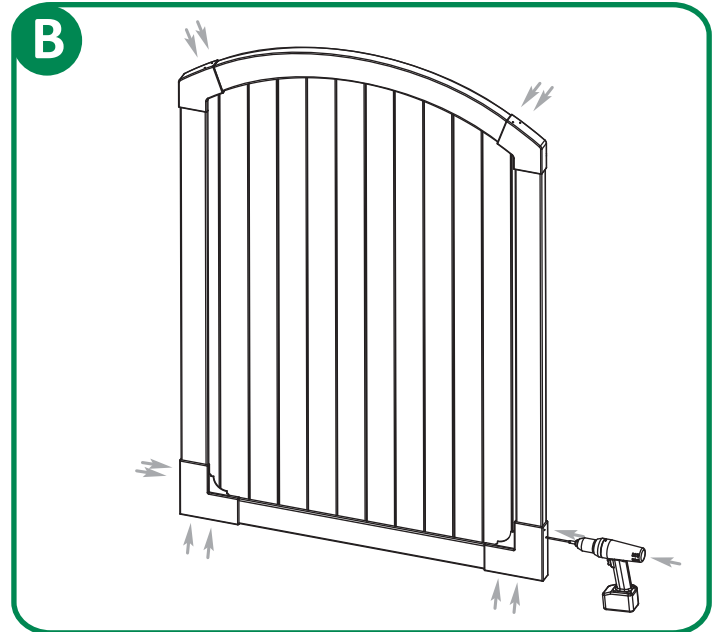
D - Slide gate arch (with brackets) over the privacy boards and vertical gate stiles.

STEP 3

Fasten Gate Brackets & Attach Gate Hardware



A - Ensure your gate is square



B - Fasten gate brackets to internal members using screws



Hinges must be installed in these exact locations.

C - Fasten gate hinges onto the gate brackets with SHORT screws



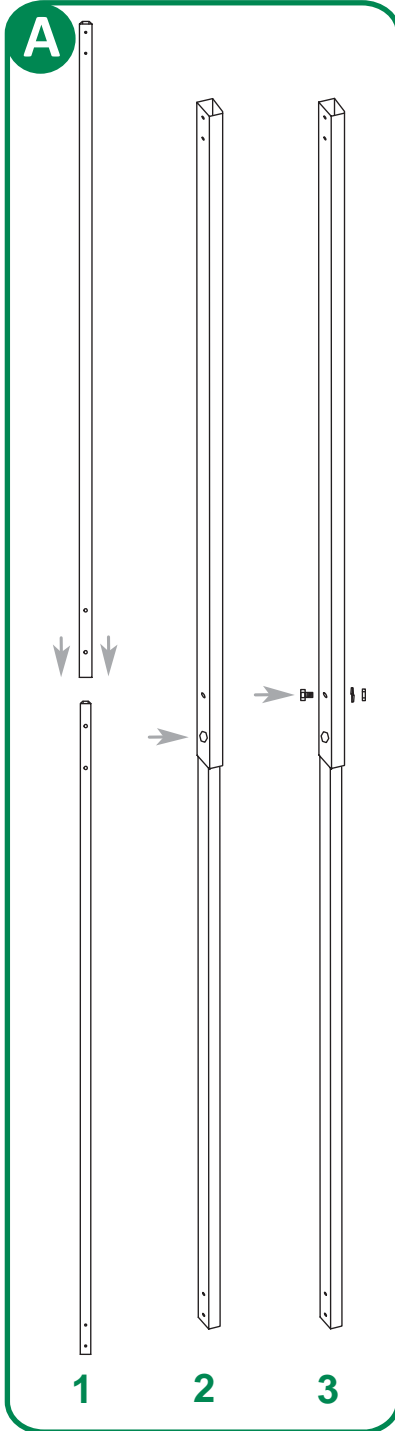
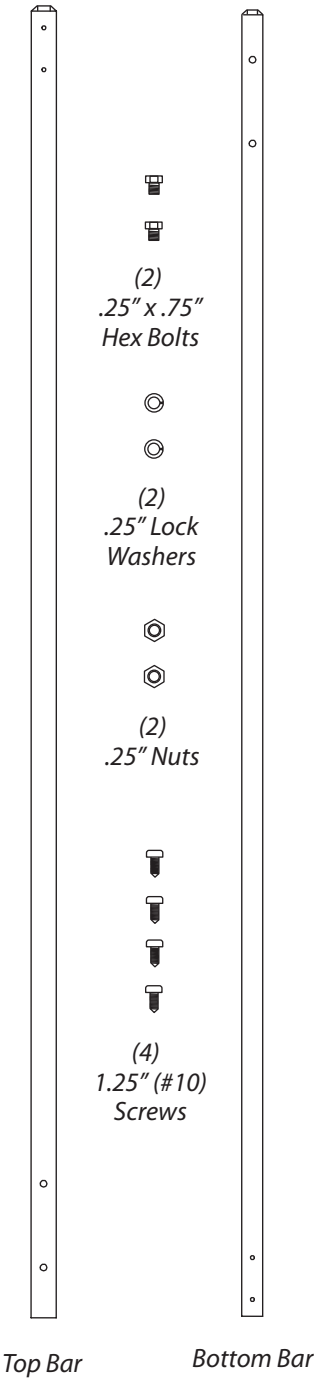
Latch must be installed in this exact location.

D - Fasten gate latch onto the gate bracket with SHORT screws

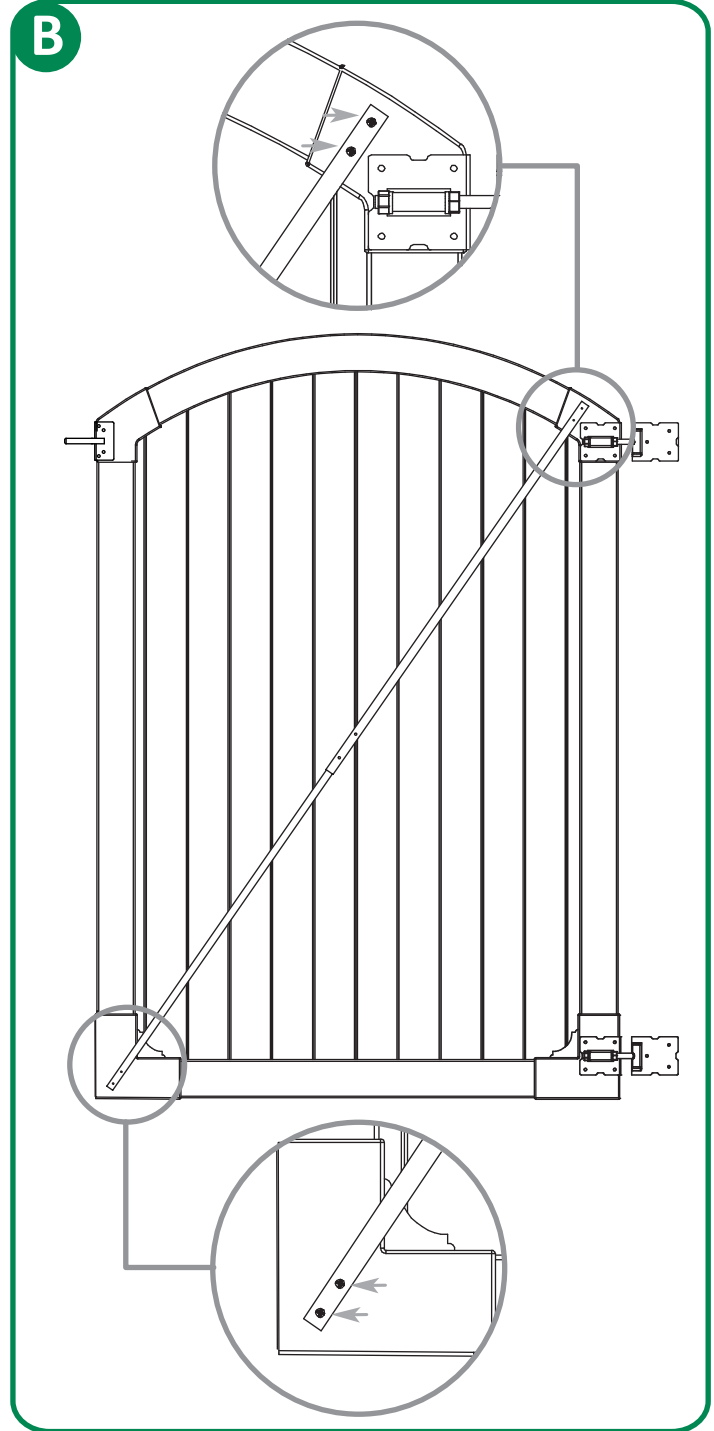
STEP 4

**Assemble & Fasten
Gate Brace**

Gate Brace Parts



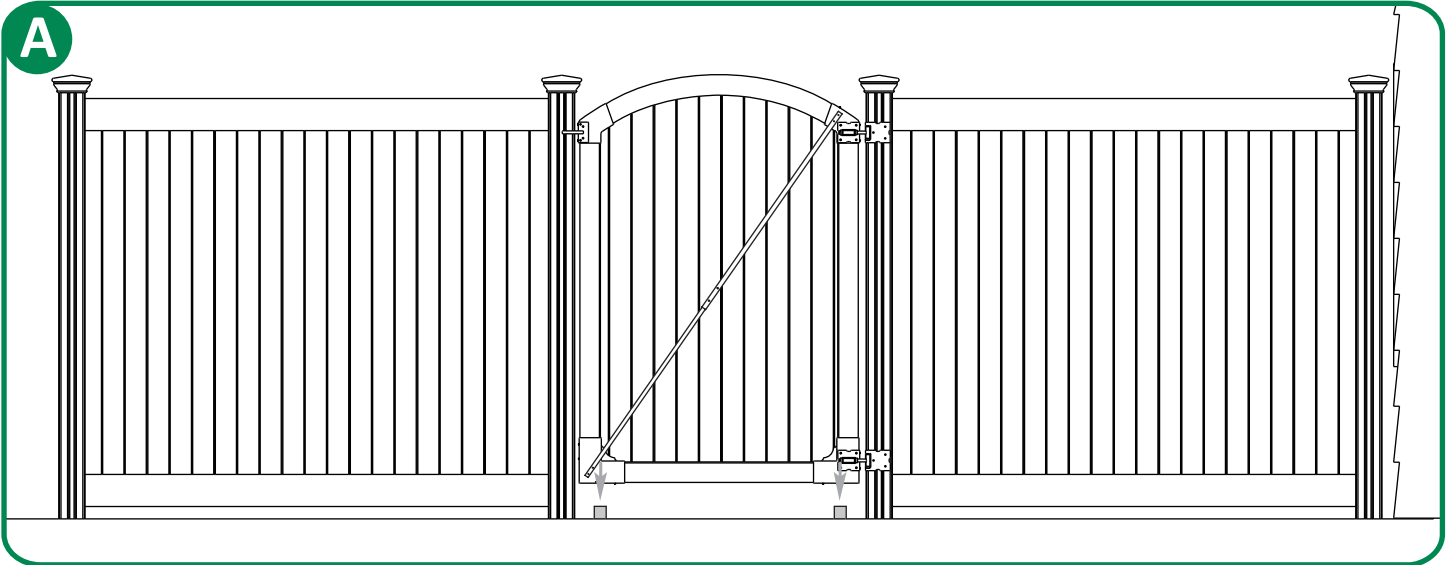
A - Assemble gate brace with bolts, washers and nuts as necessary.



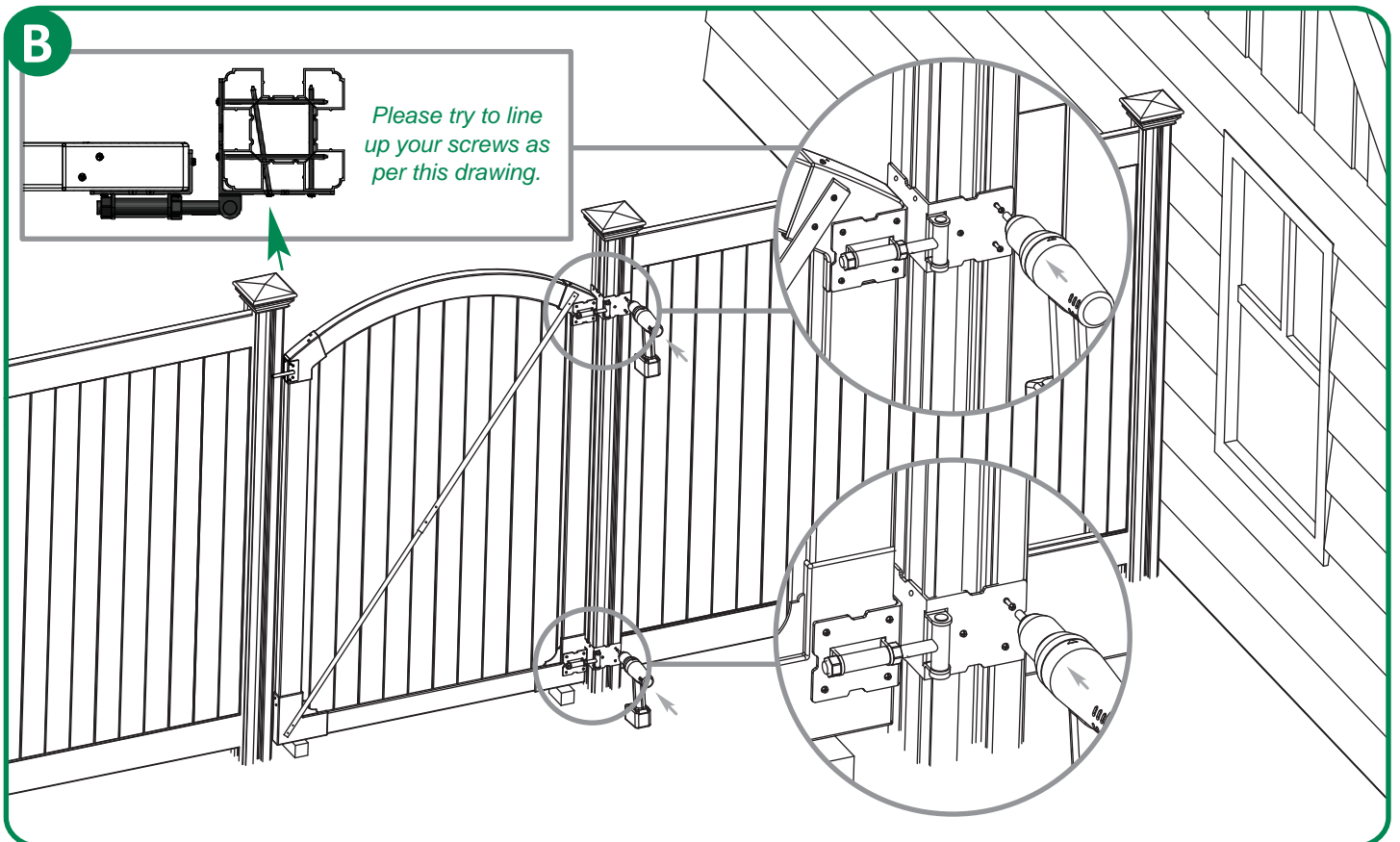
B - Ensure that gate is square, then screw bracing into place.

STEP 5

**Position, Adjust & Align
Gate/Secure Hinges to Posts**



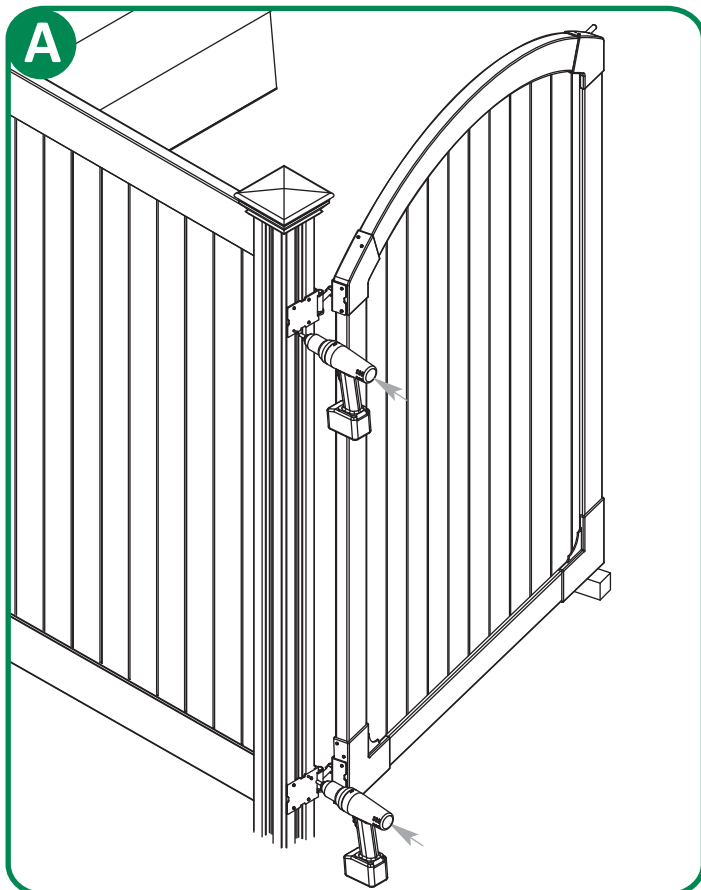
A - Use temporary spacers or blocks to rest the gate on during alignment and installation



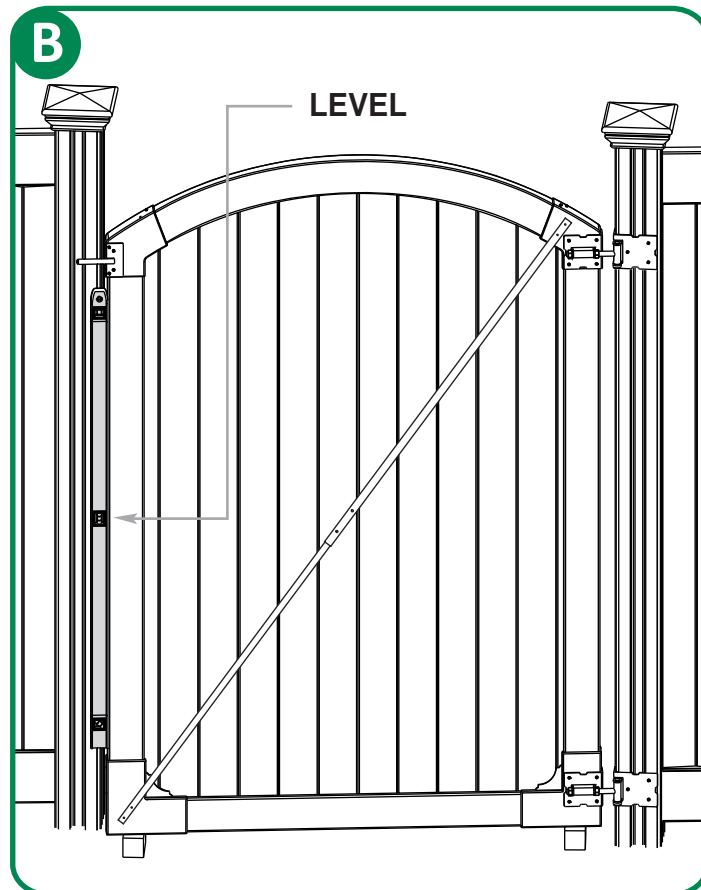
B - Fasten hinges to posts with LONG screws

For more information, contact us at 1 877-778-5733.

STEP 6 Level Gate & Adjust Hinges



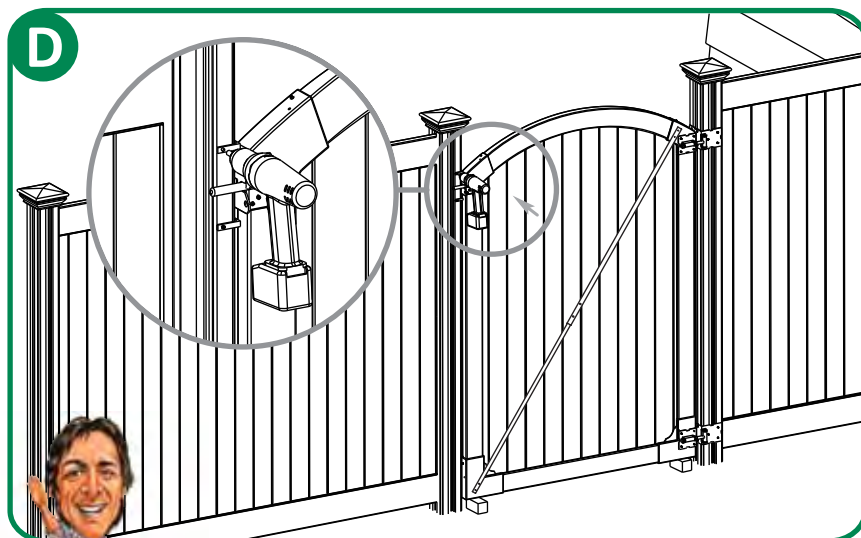
A - Fasten gate hinges accordingly



B - Check for level, fit and function to latching post

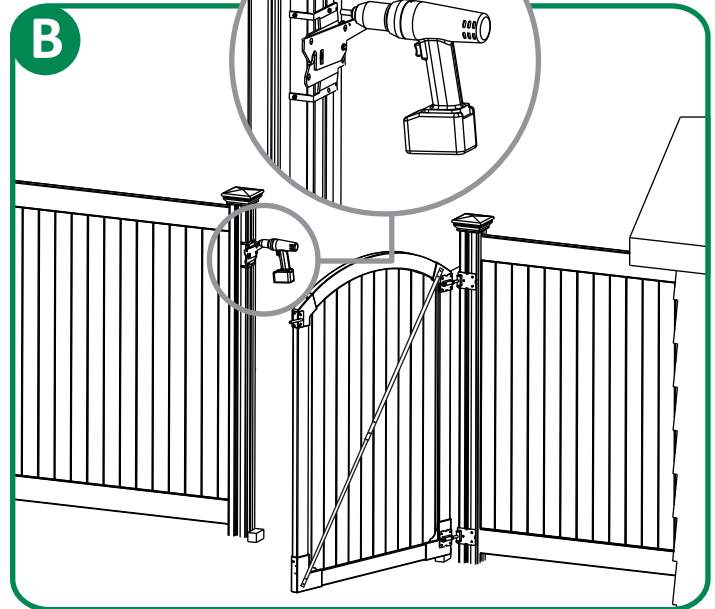
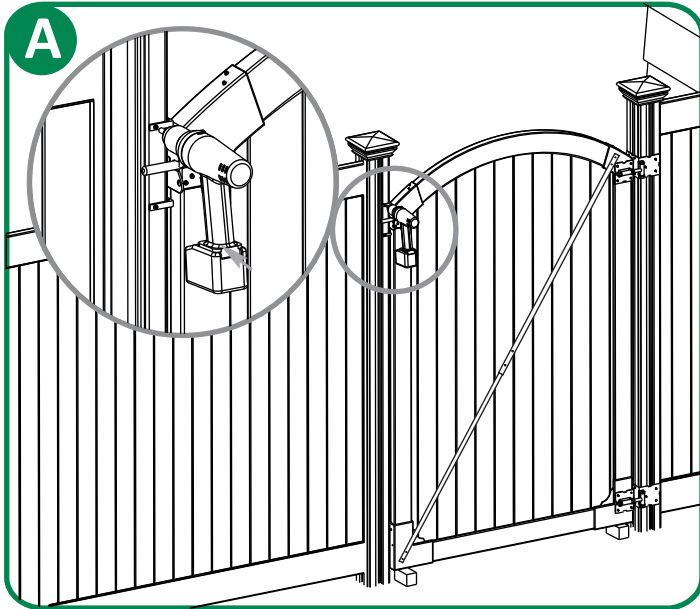


C - Hinges can be adjusted moderately to bring gate into level alignment with post



Latch is designed for left and right hand applications. Temporarily remove the spring, bolt and reverse paddle portion as necessary.

STEP 7 Align & Install Latch



A / B - Align and fasten the gate latch catch to fit and function with the gate finger.



Congratulations! You did it!

Go grab a beverage of your choice, admire your handy work, and show us what you got by entering our annual photo/video contests!