



ITEM# JE400S  
 Jersey Sofa Table  
 48"\*18"\*30"H

Your furniture purchase is an investment. Here are a few tips to maximize the lifetime of your furniture with a minimal amount of effort. Properly caring for your furniture can help ensure that it looks great year after year.

**Wood Furniture Maintenance:**

- Always dust, wipe, and clean with the grain of the wood.
- Dust with a soft cloth. Dust will scratch the furniture surface if not removed properly.
- If a polished surface becomes foggy, rub it with a cloth dipped in a solution of one tablespoon vinegar to one quart of water. Rub softly with the grain until the surface is completely dry.
- Soap and water are not advisable for wood surfaces. Water can penetrate the finish and raise the grain on wood, causing damage.
- Remember to change dusting cloths frequently as dirty cloths may scratch your furniture's surface.

**The Enemies of Wood:**

- Moisture is wood's worst enemy. Liquid spills should be gently wiped up immediately. Coasters should be used under all beverages.
- Do not allow rubber or vinyl materials to lie on the furniture. Chemicals in rubber may leave a stain. Put a strip of felt or leather under accessories that have rubber or vinyl.
- Heat creates a chemical change in the furniture's finish, which result in a white spot. Use protective pads under hot dishes, appliances, etc.
- Sunlight's ultraviolet rays can damage the finish of furniture. DO not place furniture directly against a heater or radiator and do not place in the path of hot streams of air from central heating. This will cause extreme localized drying of the wood.

**Marble Top Maintenance:**

The surface of the marble on your table has been polished and sealed to create a generally non-porous surface. The stone has many natural characteristics including veining, hairline cracks, and color variations, which make up the stone's beauty.

To maintain the beauty of your marble:

- Protect surfaces from scratching, staining and etching by:
  - Keeping them free of debris or sharp objects.
  - Wiping up spills immediately
  - Avoiding contact with chemicals (particularly acid-based materials)
- Clean with PH neutral products or those especially formulated for use on stone.
- It is not recommended to use a water-based solvent for dark marble as it will remove the polish from the surface.

**Caring for the Fabric on Upholstered Furniture:**

- Frequent vacuuming of the entire upholstered area will prevent dust from settling into the fibers.
- Professional cleaning is always recommended for all upholstered pieces.
- Do not use cleaning products containing brightening agents.

**VERY IMPORTANT!!**

**NEVER**  
 USE GLASS CLEANERS  
 ON FINISHED SURFACES.  
 AMMONIA WILL  
 CHEMICALLY ATTACK  
 THE FINISH.

DO NOT  
 WRITE  
 DIRECTLY  
 ON  
 SURFACE 

**PREVENT  
 MARKING**

DO NOT  
 PLACE IN  
 DIRECT  
 SUNLIGHT 

**PREVENT  
 FADING**

DO NOT  
 USE  
 RUBBER-  
 BASED  
 FLACEMATS  
 USE CLOTHS! 

**PREVENT  
 DISCOLORING**

**NEVER**  
 ALLOW LIQUIDS OF ANY  
 KIND TO LINGER ON  
 SURFACES ABSORPTION  
 CAUSES THE WOOD TO  
 WARP ANDTHE FINISH  
 TO DE-LANINATE

DO NOT USE  
 COMMERCIAL  
 WAXES AND  
 POLISHES 

**PREVENT  
 YELLOWING**

DO NOT  
 PLACE HOT  
 KETTLES  
 POTS,ETC  
 ON  
 SURFACE 

**PREVENT  
 DAMAGE TO  
 FINISH**

MAINTAIN  
 EVEN  
 HUMIDITY  
 CONDITIONS  
 IN YOUR  
 HOME 

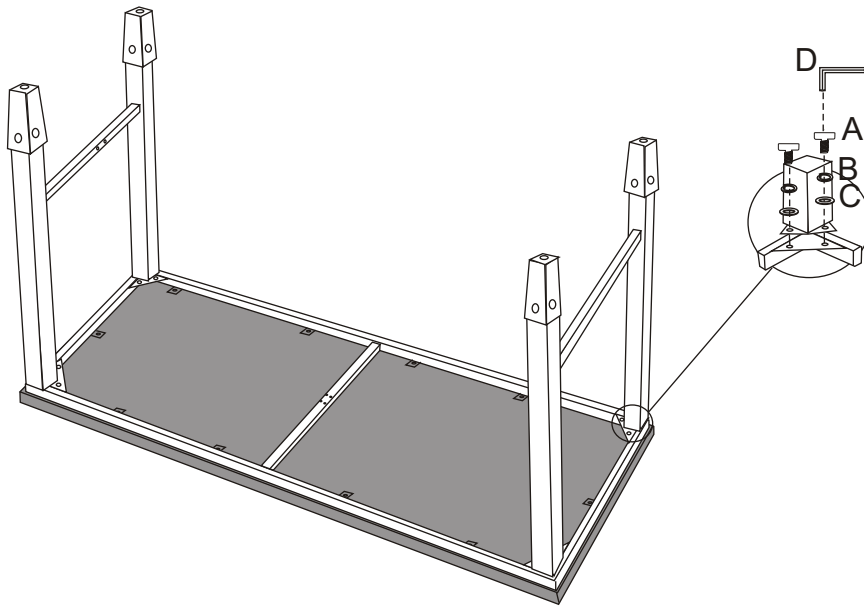
**PREVENT  
 SPLITTING**

# JE400S

## Assembly Instruction

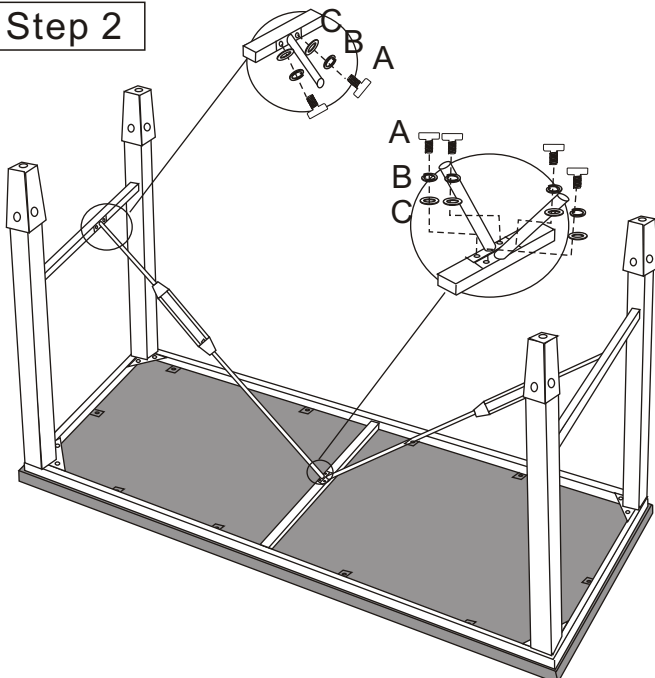
\* Do not tighten screw & bolts until the entire item is completely assembled.

### Step 1

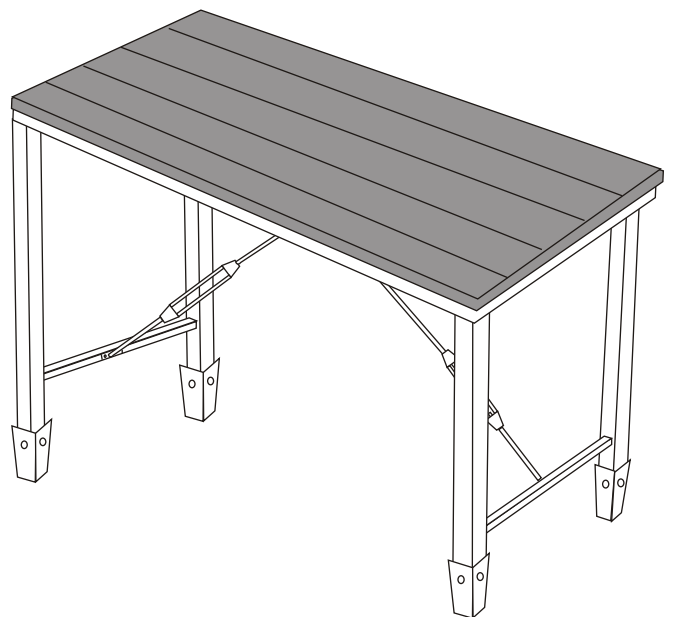


place wood top on a piece of cloth on the floor to prevent scratching





### Step 2



### Step 3

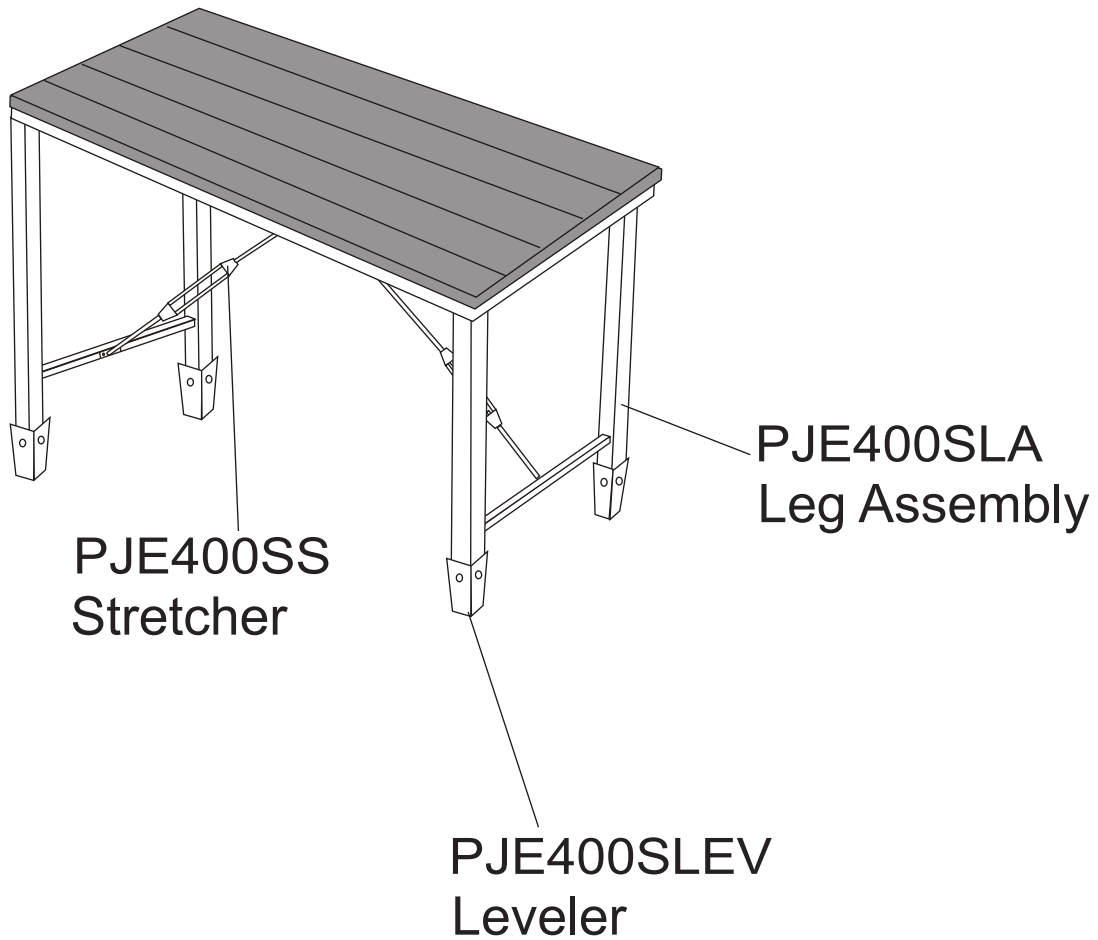


# Hardware Pack #: PJE400SH

A		16PCS	1/4" X 15mm
B		16PCS	φ 6.5mm
C		16PCS	φ 6.5mm
D		1PC	

# Parts for JE400S

Complete Hardware #: PJE400SH



PRODUCT DETAILS	
TOP	CHIPBOARD WITH PINE VENEER
LEG	IRON
IRON COLOR	ANTIQUE FINISH
PRODUCT SIZE	48**18**30"H
CARTON SIZE	55 1/4**20 1/2**5 1/2"H
NET WEIGHT	37.80LBS
GROSS WEIGHT	42.50LBS
CU.FT.	3.60'

**MADE IN CHINA**